



# Husqvarna®



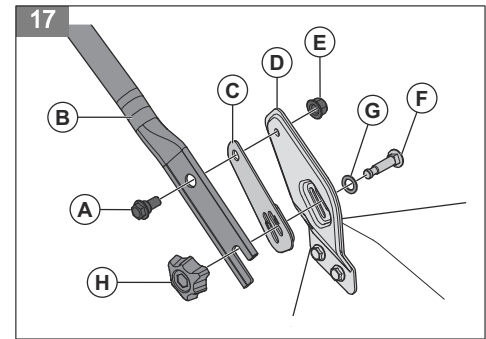
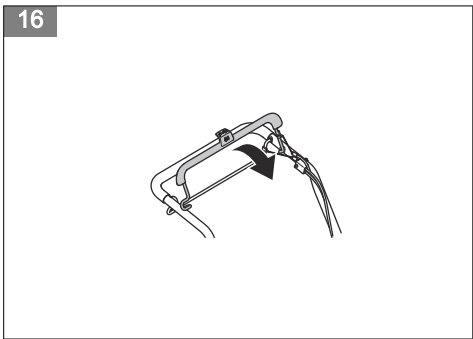
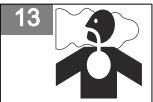
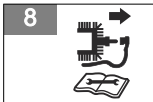
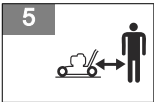
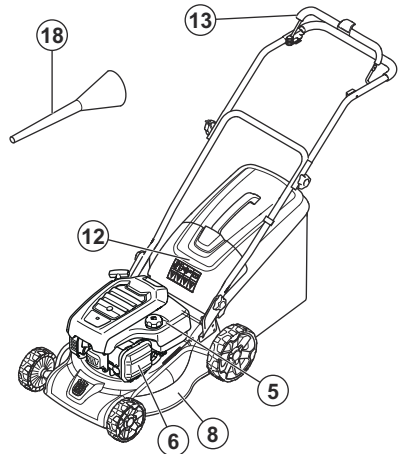
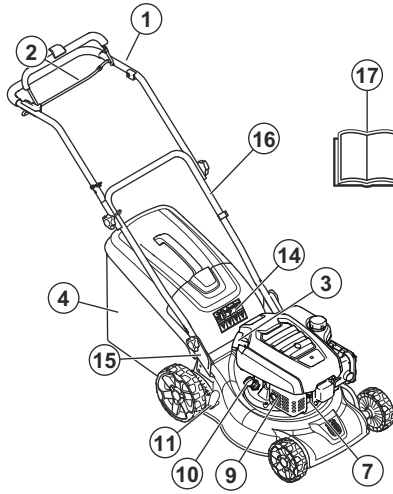
## LC 140P, LC 140SP



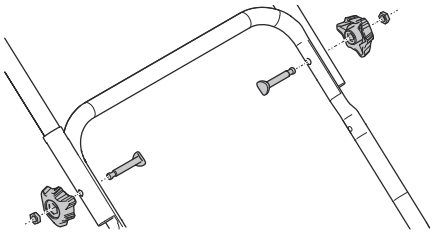
EN	Operator's manual	7-20
BG	Ръководство за експлоатация	21-35
CS	Návod k použití	36-48
DA	Bruksanvisning	49-61
DE	Bedienungsanweisung	62-75
EL	Οδηγίες χρήσης	76-90
ES	Manual de usuario	91-105
ET	Kasutusjuhend	106-118
FI	Käyttöohje	119-131
FR	Manuel d'utilisation	132-146
HR	Priručnik za korištenje	147-159
HU	Használati utasítás	160-173
IT	Manuale dell'operatore	174-187
JA	取扱説明書	188-200
LT	Operatoriaus vadovas	201-213
LV	Lietošanas pamācība	214-227
NL	Gebbruiksaanwijzing	228-241
NO	Bruksanvisning	242-254
PL	Instrukcja obsługi	255-269
PT	Manual do utilizador	270-284
RO	Instrucțiuni de utilizare	285-298
RU	Руководство по эксплуатации	299-313
SK	Návod na obsluhu	314-327
SL	Navodila za uporabo	328-340
SR	Priručnik za rukovaoca	341-353
SV	Bruksanvisning	354-366
TR	Kullanım kılavuzu	367-379
UK	Посібник користувача	380-394
ZH	操作手册	395-405

LC 140SP

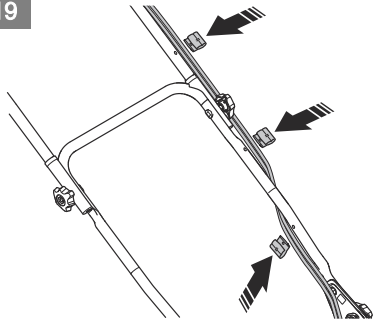
LC 140P



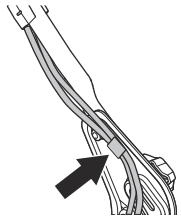
18



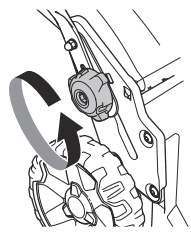
19



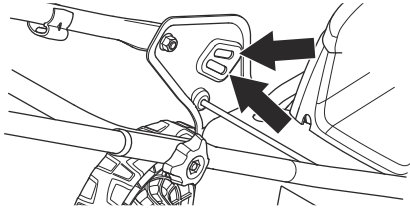
20



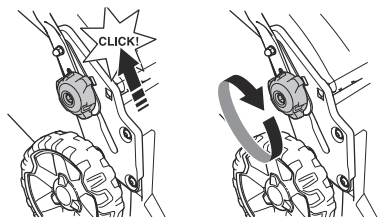
21



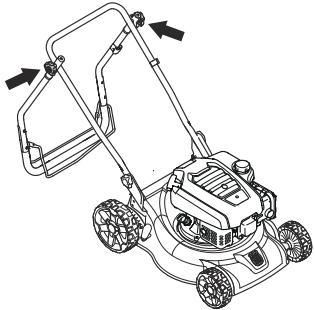
22



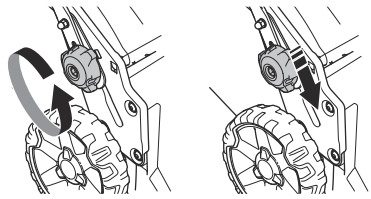
23



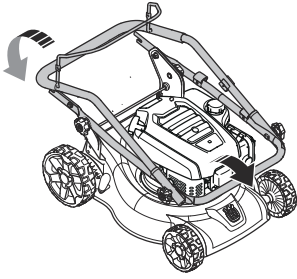
24



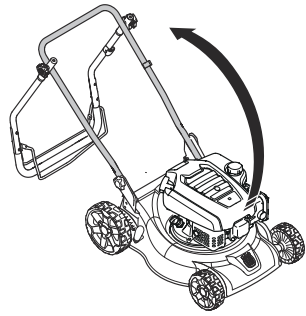
25



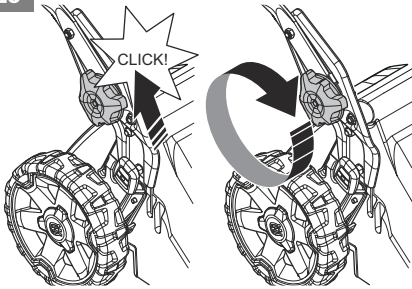
26



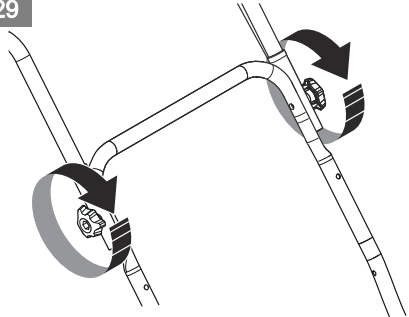
27



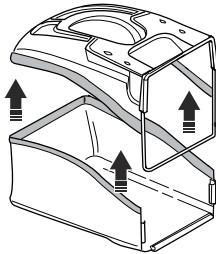
28



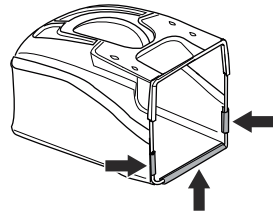
29



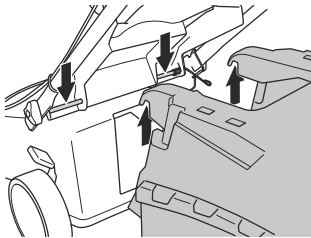
30



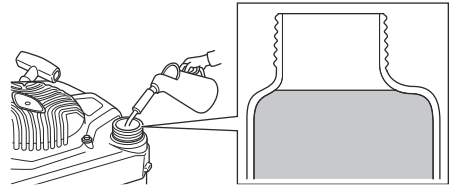
31



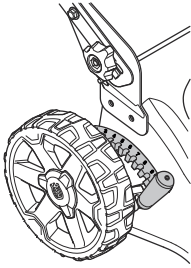
32



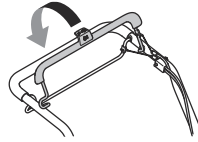
33



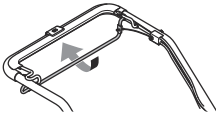
34



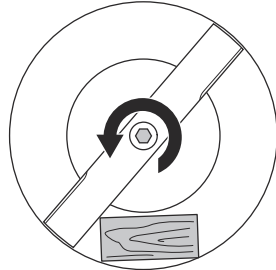
35



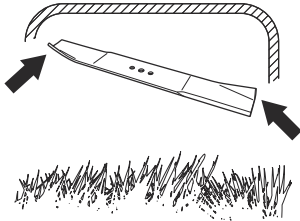
36



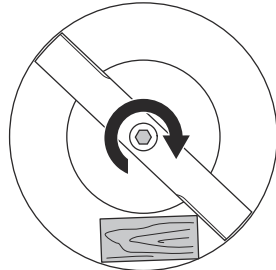
37



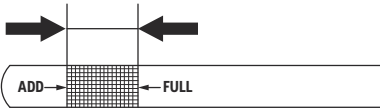
38



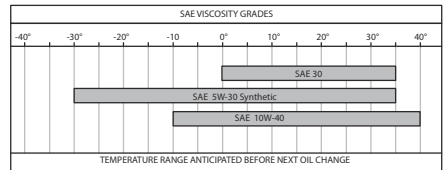
39



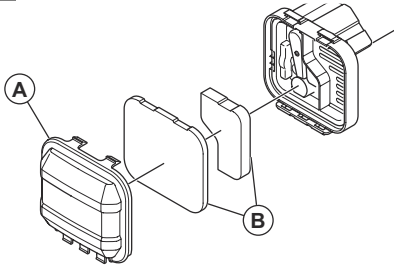
40



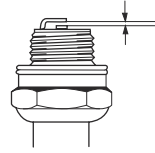
41



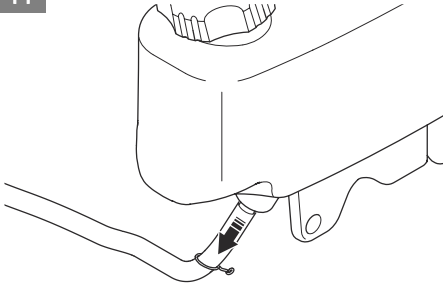
42



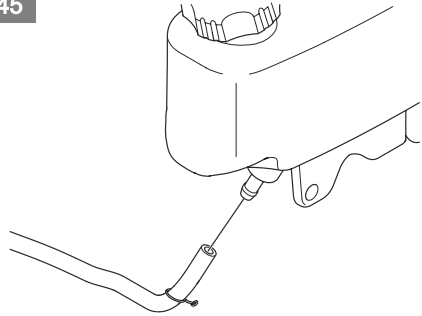
43



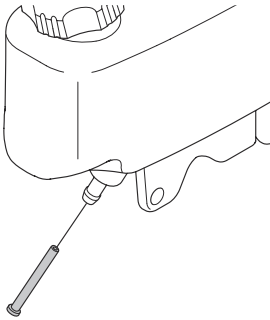
44



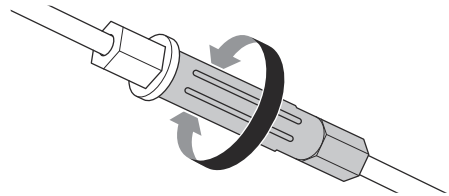
45



46



47



---

# Contents

---

Introduction.....	7	Engine troubleshooting.....	15
Safety.....	8	Transportation, storage and disposal.....	16
Assembly.....	10	Technical data.....	17
Operation.....	11	Declaration of Conformity.....	19
Maintenance.....	12		

---

## Introduction

---

### Product description

The product is a pedestrian-controlled rotary lawn mower. The grass is collected in a grass catcher. Remove the grass catcher to get rear discharge of the grass.

### Intended use

Use the product to cut grass. Do not use the product for other tasks.

### Product overview

(Fig. 1)

1. Handle / handlebar
2. Drive bail (LC 140SP)
3. Starter rope handle
4. Grass catcher
5. Fuel tank
6. Air filter
7. Spark plug
8. Cutting cover
9. Muffler
10. Oil tank cap
11. Cutting height lever
12. Rear cover
13. Engine brake handle
14. Symbols
15. Lower handle assembly
16. Lower handle
17. Operator's manual
18. Oil funnel

(Fig. 6)

Warning: Keep hands and feet away from the rotating blade.

(Fig. 7)

Warning: Keep hands and feet away from rotating parts.

(Fig. 8)

Stop the engine and remove the ignition cable before repairs or maintenance.

(Fig. 9)

This product is in accordance with applicable EC directives.

(Fig. 10)

Noise emission to the environment label as per EU and UK directives and regulations, and New South Wales legislation "Protection of the Environment Operations (Noise Control) Regulation 2017". The guaranteed sound power level of the product is specified in *Technical data on page 17* and on the label.

(Fig. 11)

This product conforms to applicable UK regulations.

### Symbols on the product

(Fig. 2)

**WARNING!** Be careful and use the product correctly. This product can cause serious injury or death to the operator or others.

(Fig. 12)

Risk of fire.

(Fig. 13)

Do not breathe in exhaust fumes. The exhaust fumes from the engine contain carbon monoxide, an odourless, poisonous and very dangerous gas. Do not start the engine indoors or in closed spaces.

(Fig. 3)

Please read the operator's manual carefully and make sure that you understand the instructions before use.

(Fig. 4)

Look out for thrown objects and ricochets.

(Fig. 14)

Hot surface.

(Fig. 5)

Keep persons and animals at a safe distance from the work area.

(Fig. 15)

Fill the engine with oil before you start the product.

---

**Note:** Other symbols/decals on the product refer to certification requirements for some commercial areas.

---

## Euro V Emissions

---



**WARNING:** Tampering with the engine voids the EU type-approval of this product.

---

## Product damage

We are not responsible for damages to our product if:

---

# Safety

---

## Safety definitions

Warnings, cautions and notes are used to point out specially important parts of the manual.

---



**WARNING:** Used if there is a risk of injury or death for the operator or bystanders if the instructions in the manual are not obeyed.

---



**CAUTION:** Used if there is a risk of damage to the product, other materials or the adjacent area if the instructions in the manual are not obeyed.

---

**Note:** Used to give more information that is necessary in a given situation.

---

## General safety instructions



**WARNING:** Read the warning instructions that follow before you use the product.

---

- This product is dangerous if used incorrectly or if you are not careful. Injury or death can occur if you do not obey the safety instructions.
  - This product produces an electromagnetic field during operation. This field may under some circumstances interfere with active or passive medical implants. To reduce the risk of serious or fatal injury we recommend persons with medical implants to consult their physician and the medical implant manufacturer before operating this product.
  - Always be careful and use your common sense. If you are not sure how to operate the product in a special situation, stop and speak to your Husqvarna dealer before you continue.
  - Keep in mind that the operator will be held responsible for accidents that involve other persons or their property.
- 

- the product is incorrectly repaired.
- the product is repaired with parts that are not from the manufacturer or not approved by the manufacturer.
- the product has an accessory that is not from the manufacturer or not approved by the manufacturer.
- the product is not repaired at an approved service center or by an approved authority.

- Keep the product clean. Make sure that you can clearly read signs and decals.
- Do not let a person use the product unless you make sure that they read and understand the contents of the operator's manual.
- Do not let a child operate the product.
- Keep children away from the work area. A responsible adult must be there at all times.
- Do not let a person, without knowledge of the instructions, operate the product.
- Always monitor a person, with decreased physical capacity or mental capacity, that uses the product. A responsible adult must be there at all times.
- Do not use the product if you are tired, ill, or under the influence of alcohol, drugs or medicine. This has a negative effect on your vision, alertness, coordination and judgment.
- Do not use a product that is damaged or does not operate correctly.
- Do not change this product or use it if it is possible that it has been changed by others.
- Do not change the adjustment for the engine speed control.

## Work area safety



**WARNING:** Read the warning instructions that follow before you use the product.

---

- Remove objects such as branches, twigs and stones from the work area before you use the product.
  - Objects that hit against the cutting equipment can eject and cause damage to persons and objects. Keep bystanders and animals at a safe distance from the product.
  - Never use the product in bad weather such as fog, rain, strong winds, intense cold and risk of lightning. To use the product in bad weather or in moist or wet locations is tiring. Bad weather can cause dangerous conditions, such as slippery surfaces.
-



- Look out for persons, objects and situations that can prevent safe operation of the product.
- Look out for obstacles, such as roots, stones, twigs, pits and ditches. Long grass can hide obstacles.
- To cut grass on slopes can be dangerous. Do not use the product on ground that slopes more than 15°.
- Operate the product across the face of slopes. Do not move up and down.
- Be careful when you go near hidden corners and objects that prevent a clear view.

## Work safety



**WARNING:** Read the warning instructions that follow before you use the product.

- Use this product to cut grass lawns only. It is not permitted to use it for other tasks.
- Use personal protective equipment. Refer to *Personal protective equipment on page 9*.
- Make sure that you know how to stop the engine quickly in an emergency.
- Never start the engine in a closed space or near flammable material. The exhaust fumes from the engine are hot and can contain sparks which can start a fire.
- Do not operate the product unless the blade and all covers are attached correctly. An incorrectly attached blade can come loose and cause personal injury.
- Make sure that the blade does not hit objects such as stones and roots. This can do damage to the blade and bend the engine shaft. A bent axle causes heavy vibration and a very high risk that the blade becomes loose.
- If the blade hits an object or if vibrations occur, stop the product immediately. Disconnect the ignition cable from the spark plug. Examine the product for damages. Repair damages or let an authorised service agent do the repair.
- Never attach the engine brake handle permanently to the handle when the engine is started.
- Put the product on a stable, flat surface and start it. Make sure that the blade does not hit the ground or other objects.
- Always stay behind the product when you operate it.
- Let all the wheels stay on the ground and keep 2 hands on the handle when you operate the product. Keep your hands and feet away from the rotating blades.
- Do not tilt the product when the engine is started.
- Be careful when you pull the product rearward.
- Never lift up the product when the engine is started. If you must lift the product, first stop the engine and disconnect the ignition cable from the spark plug.
- Do not walk rearward when you operate the product.

- Stop the engine when you move across areas without grass, for example paths made of gravel, stone and asphalt.
- Do not run with the product when the engine is started. Always walk when you operate the product.
- Stop the engine before you change the cutting height. Never make adjustments with the engine started.
- Never let the product stay out of view with the engine started. Stop the engine and make sure that the cutting equipment does not rotate.

## Safety instructions for operation

### Personal protective equipment



**WARNING:** Read the warning instructions that follow before you use the product.

- Personal protective equipment cannot fully prevent injury but it decreases the degree of injury if an accident does occur. Let your dealer help you select the right equipment.
- Use hearing protection if the noise level is higher than 85 dB.
- Use heavy-duty slip-resistant boots or shoes. Do not use open shoes or go with bare feet.
- Use heavy, long pants.
- Use protective gloves when necessary, for example when you attach, examine or clean the cutting equipment.

### Safety devices on the product



**WARNING:** Read the warning instructions that follow before you use the product.

- Do not use a product with safety devices that are damaged or do not operate correctly.
- Do a check of the safety devices regularly. If the safety devices are damaged or do not operate correctly, speak to your Husqvarna servicing dealer.
- Do not make modifications to safety devices.

#### To do a check of the cutting cover

The cutting cover decreases vibrations in the product and decreases the risk of injury from the blade.

- Examine the cutting cover to make sure that there are no damages such as cracks.

#### To do a check of the engine brake handle

The engine brake handle stops the engine. When the engine brake handle is released, the engine stops.

- Start the engine and then release the engine brake handle. If the engine does not stop in 3 seconds, let an approved Husqvarna service agent adjust the engine brake. (Fig. 16)

### Muffler

The muffler keeps the noise levels to a minimum and sends the exhaust fumes away from the operator.

Do not use the product if the muffler is missing or damaged. A damaged muffler increases the noise level and the risk of fire.



**WARNING:** The muffler becomes very hot during and after use and when the engine operates at idle speed. Be careful near flammable materials and/or fumes to prevent fire.

### Fuel safety



**WARNING:** Read the warning instructions that follow before you use the product.

- Do not start the product if there is fuel or engine oil on the product. Remove the unwanted fuel/oil and let the product dry.
- If you spill fuel on your clothing, change clothing immediately.
- Do not get fuel on your body, it can cause injury. If you get fuel on your body, use soap and water to remove the fuel.
- Do not start the product if the engine has a leak. Examine the engine for leaks regularly.
- Be careful with fuel. Fuel is flammable and the fumes are explosive and can cause injuries or death.
- Do not breathe in the fuel fumes, it can cause injury. Make sure that there is a sufficient airflow.
- Do not smoke near the fuel or the engine.
- Do not put warm objects near the fuel or the engine.
- Do not add the fuel when the engine is on.
- Make sure that the engine is cool before you refuel.
- Before you refuel, open the fuel tank cap slowly and release the pressure carefully.

- Do not add fuel to the engine in an indoor area. Not sufficient airflow can cause injury or death because of asphyxiation or carbon monoxide.
- Tighten the fuel tank cap fully. If the fuel tank cap is not tightened, there is a risk of fire.
- Move the product a minimum of 3 m / 10 ft from the position where you filled the tank before a start.
- Do not fill the fuel tank fully. Heat causes the fuel to expand. Keep a space at the top of the fuel tank.
- Never store the product with fuel in the fuel tank inside a building where ignition sources are present such as hot water heaters, space heaters or clothes dryers. Allow the engine to cool Before storing in any enclosure.

### Safety instructions for maintenance



**WARNING:** Read the warning instructions that follow before you use the product.

- The exhaust fumes from the engine contain carbon monoxide, an odourless, poisonous and very dangerous gas. Do not start the engine indoors or in closed spaces.
- Before you do the maintenance on the product, stop the engine and remove the ignition cable from the spark plug.
- Use protective gloves when you do maintenance on the cutting equipment. The blade is very sharp and cuts can easily occur.
- Accessories and changes to the product that are not approved by the manufacturer, can cause serious injury or death. Do not change the product. Always use accessories that are approved by the manufacturer.
- If the maintenance is not done correctly and regularly, the risk of injury and damage to the product increases.
- Only do the maintenance as given in this owner's manual. All other servicing must be done by an approved Husqvarna service agent.
- Let an approved Husqvarna service agent do servicing on the product regularly.
- Replace damaged, worn or broken parts.

## Assembly

### To assemble the handle

1. Push the screw (A) through the handle (B), the plastic washer (C) and the handle support bracket (D). (Fig. 17)
2. Tighten the nut (E) fully.
3. Push the screw (F) through the washer (G) and the handle support bracket.
4. Tighten the knob (H) fully.
5. Align the holes in the handlebar with the holes in the lower handle and attach the screws, washers and knobs. Tighten the knobs fully. (Fig. 18)
6. Attach the cables to the handle with the cable holders. (Fig. 19)

**Note:** Make sure that the tension in the cables is not too high. A too high tension can cause damage

to the cable if the handle is folded to transport position.

- Put the cables around the hook at the bottom of the handle. (Fig. 20)

## To adjust the handle height

- Loosen the lower knobs. (Fig. 21)
- Remove the knob, washer, and screw on the left and the right side.
- The handle can be set to 2 different heights. Put the screw in one of the 2 holes on the left and the right side. (Fig. 22)
- Attach the screws, washers and knobs.
- Move the knobs up in the direction of the handle until they stop and you hear a click. Tighten the knobs fully. (Fig. 23)

## To set the product in transport position

- Remove the grass catcher.
- Loosen the knobs on the upper handle and fold the handle down. (Fig. 24)
- Loosen the lower knobs.
- Move the knobs to the lower end of the grooves on the left and the right side of the product. (Fig. 25)

- Fold the handle forward. (Fig. 26)

## To set the product in operation position

- Lift the handlebar until the lower handle locks in operation position. (Fig. 27)
- Move the knobs up in the direction of the handle until they stop and you hear a click.
- Tighten the knobs fully. (Fig. 28)
- Lift the top part of the handlebar.
- Tighten the knobs fully. (Fig. 29)

## To assemble the grass catcher

- Put the top part of the grass catcher onto the lower part of the grass catcher. (Fig. 30)
- Attach the grass catcher frame with the clips. (Fig. 31)
- Lift the rear cover.
- Attach the hooks on the grass catcher to the top edge of the chassis. (Fig. 32)
- Put the lower part of the grass catcher into the grass discharge channel.

---

# Operation

---

## Introduction



**WARNING:** Before you operate the product, you must read and understand the safety chapter.

## Husqvarna Connect

Husqvarna Connect is a free app for your mobile device. The Husqvarna Connect app gives extended functions for your Husqvarna product:

- Extended product information.
- Information about, and help with, product parts and servicing.

## To start to use Husqvarna Connect

- Download the Husqvarna Connect app on your mobile device.
- Register in the Husqvarna Connect app.
- Do the instruction steps in the Husqvarna Connect app to connect and register the product.

## Before you operate the product

- Read the operator's manual carefully and make sure that you understand the instructions.

- Examine the cutting equipment to make sure that it is correctly attached and adjusted. See *To examine the cutting equipment on page 13*.
- Fill the fuel tank. See *To fill fuel on page 11*.
- Fill the oil tank and do a check of the oil level. See *To do a check of the oil level on page 14*.

## To fill fuel

If available, use gasoline with a low emission grade/alkylate fuel. If gasoline with a low emission grade/alkylate fuel is not available, use good quality unleaded gasoline or leaded gasoline with octane number not less than 91.



**CAUTION:** Do not use gasoline with an octane number less than 91 RON. This can cause damage to the product.



**CAUTION:** Replace the fuel filter yearly or more frequently if it is necessary. A new fuel filter is available at your Husqvarna dealer.



**CAUTION:** Always stop the engine before you fill fuel.



**CAUTION:** Do not use pressurized starting fluids.

1. Open the fuel tank cap slowly to release the pressure.
2. Fill slowly with a fuel can. If you spill fuel, remove it with a cloth and let remaining fuel dry off. (Fig. 33)
3. Clean the area around the fuel tank cap.
4. Tighten the fuel tank cap fully. If the fuel tank cap is not tightened, there is a risk of fire.
5. Move the product a minimum of 3 m / 10 ft from the position where you filled the tank before a start.

## To set the cutting height

1. Move the cutting height lever rearward to increase the cutting height.
2. Move the cutting height lever forward to decrease the cutting height. (Fig. 34)



**CAUTION:** Do not set the cutting height too low. The blades can hit the ground if the surface of the lawn is not level.

## To start the product

1. Make sure that the ignition cable is connected to the spark plug.
2. Stay behind the product.
3. Hold the engine brake handle against the handlebar. (Fig. 35)
4. Hold the starter rope handle with your right hand.
5. Slowly pull out the starter rope until you feel some resistance.

6. Pull with force to start the engine.



**WARNING:** Do not twist the starter rope around your hand.

## To use the drive on the wheels

- Push the drive bail in the direction of the handlebar. (Fig. 36)
- Release the drive bail to disengage the drive, for example when you go near an obstacle.
- Before you pull the product rearward, disengage the drive and push the product forward approximately 10 cm.

## To stop the product

- To stop the drive only, release the drive bail.
- To stop the engine, release the engine brake handle.

## To get a good result

- Always use a sharp blade. A blunt blade gives an irregular result and the cut surface of the grass becomes yellow. A sharp blade also uses less energy than a blunt blade.
- Do not cut more than  $\frac{1}{3}$  of the length of the grass. Cut first with the cutting height set high. Examine the result and lower the cutting height to an applicable level. If the grass is very long, drive slowly and cut 2 times if necessary.
- Cut in different directions each time to prevent stripes in the lawn.
- Keep the cutting cover clean. Buildup from grass and dirt on the inner side of the cutting cover can decrease the cutting result. Refer to *To clean the inner surface of the cutting cover on page 13*.

# Maintenance

## Introduction



**WARNING:** Before you do maintenance, you must read and understand the safety chapter.

For all servicing and repair work on the product, special training is necessary. We guarantee the availability of professional repairs and servicing. If your dealer is not a service agent, speak to them for information about the nearest service agent.

For more detailed information, refer to .

## Maintenance schedule



**CAUTION:** Make sure that the air filter is up and not against the ground when you tilt the product. Risk of engine damage.

The maintenance intervals are calculated from daily use of the product. The intervals change if the product is not used daily.

For maintenance identified with \* refer to instructions in *Safety devices on the product on page 9*.

Maintenance	Daily	Monthly	Each season
Do a general inspection	X		
Examine the oil level	X		

Maintenance	Daily	Monthly	Each season
Replace the oil (the first time after 5 h of use, then after each 50 h of use) <sup>1</sup>			X
Clean the product	X		
Examine the cutting equipment	X		
Examine the cutting cover *	X		
Examine the engine brake handle *	X		
Examine the muffler *		X	
Examine the spark plug. Clean or replace the spark plug if it is necessary			X
Examine the air filter	X		
Clean the air filter <sup>2</sup>		X	
Replace the air filter			X
Examine the fuel system			X
Clean the cooling fins on the cylinder		X	
Examine and adjust the clutch wire (LC 140SP)			X

## To do a general inspection

- Make sure that all nuts and screws on the product are tightened correctly.

## To clean the product externally

- Use a brush to remove leaves, grass and dirt.
- Make sure that the air intake on the top of the engine is not blocked.
- Do not use a high pressure washer to clean the product.
- If you use water to clean the product, do not flush water directly on the engine.

## To clean the inner surface of the cutting cover

1. Empty the fuel tank.
2. Tilt the product. Make sure that the spark plug point up.



**CAUTION:** If the product is put with the air filter down, the engine can become damaged.

3. Hose down the inner surface of the cutting cover with water.

## To examine the cutting equipment



**WARNING:** To prevent accidental start remove the ignition cable from the spark plug.



**WARNING:** Use protective gloves when you do maintenance on the cutting equipment. The blade is very sharp and cuts can easily occur.

1. Examine the cutting equipment for damage or cracks. Always replace a damaged cutting equipment.
2. Look at the blade to see if it is damaged or blunt.

**Note:** It is necessary to balance the blade after it is sharpened. Let a service center sharpen, replace and balance the blade. If you hit an obstacle that causes the product to stop, replace the damaged blade. Let the service center estimate if the blade can be sharpened or must be replaced.

## To replace the blade

1. Lock the blade with a block of wood. (Fig. 37)
2. Remove the blade bolt and spring washer.

<sup>1</sup> If the product is operated with heavy load or in high ambient temperatures, replace the engine oil each 25 hours.

<sup>2</sup> Clean more often under dusty conditions or when airborne debris is present. Replace air filter, if it is very dirty.

3. Remove the blade.
4. Examine the blade support and blade bolt to see if there are damages.
5. Examine the engine shaft to make sure that it is not bent.
6. When you attach the new blade, point the angled ends of the blade in the direction of the cutting cover. (Fig. 38)
7. Make sure that the blade is aligned with the center of the engine shaft.
8. Lock the blade with a block of wood. Attach the spring washer and tighten the bolt and washer with a torque of 45–60 Nm. (Fig. 39)
9. Pull the blade around by hand and make sure that it turns freely.



**WARNING:** Use heavy duty gloves. The blade is very sharp and cuts can easily occur.

10. Start the product to do a test of the blade. If the blade is not correctly attached, there is vibration in the product or the cutting result is unsatisfactory.

## To do a check of the oil level



**CAUTION:** A too low oil level can do damage to the engine. Do a check of the oil level before you start the product.

1. Put the product on level ground.
2. Remove the oil tank cap and the attached dipstick.
3. Clean the oil from the dipstick.
4. Push the dipstick fully into the oil tank to give a correct picture of the oil level. Do not touch the oil tank cap.
5. Remove the oil tank cap and the attached dipstick.
6. Examine the oil level on the dipstick.
7. If the oil level is low, fill with engine oil and do a check of the oil level again. (Fig. 40)

**Note:** Use a funnel to prevent spill.

8. Install the oil tank cap when the oil level is correct.

## To replace the engine oil



**WARNING:** Engine oil is very hot directly after the engine is stopped. Let the engine become cool before you drain the engine oil. If you spill engine oil on your skin, clean with soap and water.

(Fig. 41)

1. Operate the product until the fuel tank is empty.
2. Remove the ignition cable from the spark plug.

3. Remove the oil tank cap and the attached dipstick.
4. Put a container below the product to collect the engine oil in.
5. Tilt the product or drain the engine oil from the oil tank with an oil pump (accessory).
6. Fill with new engine oil of the type recommended in *Technical data on page 17*.
7. Do a check of the oil level. Refer to *To do a check of the oil level on page 14*.
8. Install the oil tank cap when the oil level is correct.

## To clean the foam plastic filter



**CAUTION:** Do not start the engine without the air filters. The wear of the engine increase if the air is dirty.

1. Remove the air filter cover (A). (Fig. 42)
2. Remove the foam plastic filters (B).



**CAUTION:** Examine the foam plastic filters for damage or wear. Replace all damaged foam plastic filters.

3. Clean the foam plastic filters with soap and water.
4. Flush the foam plastic filters in clean water.
5. Squeeze the water from the foam plastic filters and let them dry.



**CAUTION:** Do not use compressed air. It can cause damage to the foam plastic filter.

6. Lubricate the foam plastic filters with engine oil.
7. Press a clean cloth against the foam plastic filter to remove unwanted oil.
8. Install the foam plastic filters. Make sure that the foam plastic filters fully seals against the air filter holder.
9. Install the air filter cover.

## To do a check of the spark plug



**CAUTION:** Always use the recommended spark plug type. Incorrect spark plug type can cause damage to the product.

- Do a check of the spark plug if the engine is low on power, is not easy to start or does not operate correctly at idle speed.
- To decrease the risk of unwanted material on the spark plug electrodes, obey these instructions:
  - a) Make sure that the idle speed is correctly adjusted.
  - b) Make sure that the fuel mixture is correct.

- c) Make sure that the air filter is clean.
- If the spark plug is dirty, clean it and make sure that the electrode gap is correct, refer to *Technical data on page 17*. (Fig. 43)
- Replace the spark plug if it is necessary.

### To examine the fuel system

- Examine the fuel tank cap and the seal for the fuel tank cap to make sure that there are no damages.
- Examine the fuel hose to make sure that there are no leaks. If the fuel hose is damaged, let a service agent replace it.

### To drain the fuel tank

1. Put a container below the fuel tank.
2. Remove the fuel tank cap.
3. Push the hose clips on the fuel hose against the carburetor.
4. Remove the fuel hose from the carburetor.
5. Put the fuel tank hose in the container and remove the hose clips.
6. Tilt the product and drain the fuel into the container.

### To replace the fuel filter



**WARNING:** Use protective gloves.

1. Drain the fuel tank.

2. Move the hose clip away from the fuel tank. (Fig. 44)
3. Remove the fuel hose from the fuel tank. A small quantity of fuel can leak. (Fig. 45)
4. Remove the fuel filter from the fuel tank. (Fig. 46)
5. Install a new fuel filter in the fuel tank.
6. Attach the fuel hose to the fuel tank.
7. Put the hose clip in position against the fuel tank.

### To adjust the clutch wire (LC 140SP)

For the situations that follow, it is necessary to decrease the length of the clutch wire:

- The drive of the wheels does not engage when you pull the drive bail or the speed control lever.
- The product moves slowly when the drive of the wheels is engaged.

For the situations that follow, it is necessary to extend the length of clutch wire:

- The product moves when the drive of the wheels is not engaged.
- Adjust the clutch wire.
  - a) To decrease the length of clutch wire, turn the adjuster screw counterclockwise.
  - b) To extend the length of the clutch wire, turn the adjustment screw clockwise. (Fig. 47)

If the product continues to drive unsatisfactory after the adjustment, speak to you servicing dealer

## Engine troubleshooting

Problem	Possible cause	Solution
The engine does not start.	The ignition cable is not connected correctly.	Connect the ignition cable to the spark plug.
	The fuel tank is empty.	Fill the fuel tank with correct fuel type.
	The fuel is old.	Drain the fuel tank and the carburetor. Refuel with new gasoline.
	There is dirt in the carburetor or fuel line.	Clean the carburetor and/or fuel line.
	The spark plug is damaged.	Adjust the electrode gap, clean or replace the spark plug.
	There is fuel on the spark plug.	Clean the spark plug.
The engine does not stop.	The stop mechanism does not operate correctly.	Disconnect the ignition cable from the spark plug. Let an approved service agent repair the product.

Problem	Possible cause	Solution
The engine does not operate smoothly.	The ignition cable is not connected correctly.	Connect the ignition cable to the spark plug.
	There is dirt in the fuel line or the fuel has expired.	Clean the fuel line. Fill the fuel tank with new fuel of the correct type.
	There is blockage in the fuel tank cap.	Clean the fuel tank cap.
	There is water or dirt in the fuel system.	Drain the fuel tank. Fill the fuel tank with new fuel of the correct type.
	The air filter is dirty.	Clean the air filter.
	The carburetor must be adjusted.	Let a servicing dealer adjust the carburetor.
The engine becomes too hot.	The engine oil level is too low.	Fill engine oil.
	The air flow is not sufficient.	Clean the air filter and the air filter housing.
	The carburetor must be adjusted.	Let a servicing dealer adjust the carburetor.
There is misfire in the engine when it operates at high speed.	The electrode gap in the spark plug is too small.	Adjust the electrode gap.
Unusual noises from the engine during normal load.	Incorrect type of gasoline.	Drain the fuel tank and the carburetor. Refuel with new gasoline. Refer to <i>To fill fuel on page 11</i> . If the problem continues speak to your local service dealer.
The engine does not operate smoothly at idle speed.	The spark plug is dirty,damaged or the electrode gap is too wide.	Adjust the electrode gap or replace the spark plug.
	The carburetor must be adjusted.	Adjust the carburetor.
	The air filter is dirty.	Clean the air filter.

---

## Transportation, storage and disposal

---

### Transportation and storage

- For storage and transportation of the product and fuel, make sure that there are no leaks or fumes. Sparks or open flames, for example from electrical devices or boilers, can start a fire.
- Always use approved containers for storage and transportation of fuel.
- Empty the fuel tank before you put the product in storage for a long period of time. Discard the fuel at an applicable disposal location
- Safely attach the product during transportation to prevent damage and accidents.

- Keep the product in a locked area to prevent access for children or persons that are not approved.
- Keep the product in a dry and frost free area.

### Disposal

- Obey the local recycling requirements and applicable regulations.
- Discard all chemicals, such as engine oil or fuel, at a service center or at an applicable disposal location.
- When the product is no longer in use, send it to a Husqvarna dealer or discard it at a recycling location.



## Technical data

### Technical data

	LC 140P	LC 140SP
<b>Engine</b>		
Brand	Husqvarna	Husqvarna
Engine model name	HS 123A	HS 123A
Engine type	Single cylinder, 4-Stroke, Forced Air Cooling, OHV	Single cylinder, 4-Stroke, Forced Air Cooling, OHV
Displacement, cm <sup>3</sup>	123	123
Speed, rpm	3000	3000
Nominal engine output, kW <sup>3</sup>	1.95	1.95
<b>Ignition system</b>		
Spark plug	Husqvarna HQT-7	Husqvarna HQT-7
Electrode gap, mm	0.7-0.8	0.7-0.8
<b>Fuel and lubrication system</b>		
Engine lubrication type	Splash	Splash
Fuel tank capacity, litre	0.9	0.9
Oil tank capacity, litre	0.5	0.5
Engine oil <sup>4</sup>	Husqvarna SAE 30, Husqvarna SAE 5W-30 Synthetic, Husqvarna SAE 10W-40	Husqvarna SAE 30, Husqvarna SAE 5W-30 Synthetic, Husqvarna SAE 10W-40
<b>Weight</b>		
With empty tanks, kg	25.2	26.8
<b>Noise emissions <sup>5</sup></b>		
Sound power level, measured, dB(A)	93	93
Sound power level, guaranteed, L <sub>WA</sub> dB(A)	94	94
<b>Sound levels <sup>6</sup></b>		
Sound pressure level at operators ear, dB(A)	82	82

<sup>3</sup> The power rating of the engine indicated is the average net output (at specified rpm) of a typical production engine for the engine model measured to SAE standard J1349/ISO1585. Mass production engines may differ from this value. Actual power output for the engine installed on the final product will depend on the operating speed, environmental conditions and other values.

<sup>4</sup> Use engine oil of quality API SJ or higher. If SAE-30 oil is used at temperature lower than +5 °C, there is a risk that it does not lubricate the engine sufficiently. This can cause engine damage. Refer to *To replace the engine oil on page 14* for the correct oil for low temperatures. Refer to the viscosity chart in the engine manual (if included) and select the best viscosity based on the expected outside temperature.

<sup>5</sup> Noise emissions in the environment measured as sound power (L<sub>WA</sub>) in conformity with EC directive 2000/14/EC.

<sup>6</sup> Reported data for noise pressure level has a typical statistical dispersion (standard deviation) of 1.2 dB (A).

	LC 140P	LC 140SP
<b>Vibration levels <sup>7</sup></b>		
Vibrations handlebar, m/s <sup>2</sup>	5.6	7.6
<b>Cutting equipment</b>		
Cutting height, mm	25–75	25–75
Cutting width, mm	400	400
Cutting system	Collection / Rear discharge	Collection / Rear discharge
Blades - standard	Collection 5873863-10	Collection 5873863-10
Grass catcher capacity, liter	50	50
<b>Drive</b>		
Self walk speed, km/h	–	4

---

<sup>7</sup> Reported data for vibration level has a typical statistical dispersion (standard deviation) of 0.2 m/s<sup>2</sup>.

---

# Declaration of Conformity

---

## EU Declaration of Conformity

We, **Husqvarna AB**, SE-561 82 Huskvarna, Sweden, tel: +46-36-146500, declare on our sole responsibility that the product:

<b>Description</b>	Lawn Mower
<b>Brand</b>	Husqvarna
<b>Type / Model</b>	LC 140P, LC 140SP
<b>Identification</b>	Serial numbers dating from 2022 and onwards

complies fully with the following EU directives and regulations:

<b>Regulation</b>	<b>Description</b>
2006/42/EC	"relating to machinery"
2014/30/EU	"relating to electromagnetic compatibility"
2000/14/EC	"relating to the noise emissions in the environment"
2011/65/EU	"on the restriction of the use of certain hazardous substances in electrical and electronic equipment"

and that the following standards and/or technical specifications are applied: EN ISO 5395-1:2013/A1:2018, EN ISO 5395-2:2013/A1:2016/A2:2017, EN ISO 14982:2009, EN IEC 63000:2018

Notified Body: 0404, RISE SMP Svensk Maskinprovning AB, Box 4053, SE-904 03 Umeå, Sweden has certified conformity with the council's directive 2000/14/EC, conformity assessment procedure: Annex VI.

For information relating to noise emissions, refer to *Technical data on page 17*.

Huskvarna, 2022-09-27



Claes Losdal, Development Manager/Garden Products  
Husqvarna AB

Responsible for technical documentation



# UK Declaration of Conformity

We, **Husqvarna AB**, SE-561 82 Huskvarna, Sweden, tel: +46-36-146500, declare on our sole responsibility that the product:

<b>Description</b>	Lawn Mower
<b>Brand</b>	Husqvarna
<b>Type / Model</b>	LC 140P, LC 140SP
<b>Identification</b>	Serial numbers dating from 2022 and onwards

complies fully with the following UK regulations:

<b>Description</b>
The Restriction of the Use of Certain Hazardous Substances in Electrical and Electronic Equipment Regulations 2012
The Supply of Machinery (Safety) Regulations 2008
The Noise Emission in the Environment by Equipment for use Outdoors Regulations 2001, schedule 9
Electromagnetic Compatibility Regulations 2016

and that the following standards and/or technical specifications are applied: EN ISO 5395-1:2013/A1:2018, EN ISO 5395-2:2013/A1:2016/A2:2017, EN ISO 14982:2009, EN IEC 63000:2018

Approved body: has carried out certified conformity according to the Outdoor Noise Regulations of 2001, conformity assessment procedure: Schedule 9.

For information relating to noise emissions, refer to *Technical data on page 17*.

Huskvarna, 2022-09-27



Claes Losdal, Development Manager/Garden Products  
Husqvarna AB

Responsible for technical documentation

**UK  
CA**

UK Importer:  
Husqvarna UK Ltd  
Preston Road, Co. Durham  
DL5 6UP

---

## Съдържание

---

Въведение.....	21	Търсене и отстраняване на неизправностите по двигателя.....	31
Безопасност.....	22	Транспортиране, съхранение и изхвърляне.....	32
Монтаж.....	25	Технически данни.....	32
Операция.....	26	Декларация за съответствие.....	35
Поддръжка.....	27		

---

## Въведение

---

### Описание на продукта

Продуктът е пешеходна ротационна косачка. Тревата се събира в кош за трева. Свалете коша за трева, за да се получи задно разтоварване на тревата.

### Общ преглед на продукта

(Фиг. 1)

1. Дръжка/управление
2. Дръжка за задвижване (LC 140SP)
3. Дръжка на въжето на стартера
4. Кош за трева
5. Резервоар за гориво
6. Въздушен филтър
7. Запалителна свещ
8. Капак срещу порязване
9. Ауспух
10. Капачка на резервоара за масло
11. Лост за височината на рязане
12. Заден капак
13. Ръчка за спирачката на двигателя
14. Символи
15. Долна част на дръжката
16. Ниска ръкохватка
17. Инструкция за експлоатация
18. Фуния за масло

### Символи върху продукта

- (Фиг. 2) ПРЕДУПРЕЖДЕНИЕ! Внимавайте и използвайте продукта правилно. Този продукт може да причини сериозно нараняване или смърт на оператора и други хора.
- (Фиг. 3) Прочетете внимателно ръководството за оператора и се уверете, че разбирате инструкциите, преди да използвате машината.
- (Фиг. 4) Пазете се от отскачащи предмети и рикошети.

### Предназначение

Използвайте продукта за косене на трева. Не използвайте продукта за други задачи.

- (Фиг. 5) Дръжте хората и животните на безопасно разстояние от работната площ.
- (Фиг. 6) Предупреждение: Дръжте ръцете и краката си далеч от въртящия се нож.
- (Фиг. 7) Предупреждение: Дръжте ръцете и краката си далеч от въртящи се части.
- (Фиг. 8) Спрете двигателя и отстранете запалителния кабел преди ремонти или техническо обслужване.
- (Фиг. 9) Този продукт отговаря на изискванията на приложимите директиви на ЕО.
- (Фиг. 10) Етикет за шумовите емисии за околната среда съгласно директивите и регламентите на ЕС и Обединеното кралство и законодателството на Нов Южен Уелс "Регламент 2017 относно защитата от дейности, оказващи влияние на околната среда (контрол на шума)". Гарантираното ниво на звуковата мощност на продукта е посочено в *Технически характеристики на страница 32* и върху етикета.
- (Фиг. 11) Този продукт съответства на приложимите регламенти на Обединеното кралство.
- (Фиг. 12) Риск от пожар.
- (Фиг. 13) Не вдъшвайте отработени газове. Отработените газове от двигателя съдържат въглероден окис – много

опасен отровен газ без миризма. Не стартирайте двигателя на закрито или в затворени пространства.

## Повреда на продукта

Ние не носим отговорност за повреди по нашия продукт, ако:

- продуктът е неправилно ремонтиран.
- продуктът е ремонтиран с части, които не са от производителя или не са одобрени от производителя.
- продуктът има принадлежност, която не е от производителя или не е одобрена от производителя.
- продуктът не е ремонтиран в одобрен сервизен център или от одобрен орган.

(Фиг. 14) Гореща повърхност.

(Фиг. 15) Преди да стартирате продукта, напълнете двигателя с масло.

**Забележка:** Останалите символи/стикери на продукта се отнасят до изисквания по отношение на сертификати за някои търговски площи.

## Емисии Euro V



**ПРЕДУПРЕЖДЕНИЕ:** Намесата в двигателя прави невалидно ЕС одобрението на тип на този продукт.

## Безопасност

### Дефиниции за безопасност

Предупреждения, знаци за внимание и бележки се използват за указване на особено важни части на инструкцията.



**ПРЕДУПРЕЖДЕНИЕ:** Използва се, ако има опасност от нараняване или смърт за оператора или за околните, ако не се спазват инструкциите в ръководството.



**ВНИМАНИЕ:** Използва се, ако има опасност от повреждане на машината, други материали или съседната зона, ако не се спазват инструкциите в ръководството.

**Забележка:** Използва се за предоставяне на повече информация, която е необходима в дадена ситуация.

### Общи инструкции за безопасност



**ПРЕДУПРЕЖДЕНИЕ:** Прочетете следващите предупредителни инструкции, преди да използвате продукта.

- Този продукт е опасен, ако се използва неправилно или ако не сте внимателни. Неспазването на инструкциите за безопасност може да доведе до нараняване или смърт.

- Този продукт създава електромагнитно поле по време на работа. При някои условия това поле може да предизвика смущения в активни или пасивни медицински импланти. За да намалите риска от тежко или смъртоносно нараняване, ние препоръчваме лицата с медицински импланти да говорят с лекаря си и производителя на медицинския имплант, преди да започнат да работят с този продукт.
- Винаги бъдете внимателни и подходжайте разумно. Ако не сте сигурни как да работите с продукта при специална ситуация, спрете и се обърнете към Вашия дилър на Husqvarna, преди да продължите.
- Имайте предвид, че операторът носи отговорност за злополуки, включващи други лица или тяхното имущество.
- Поддържайте продукта чист. Уверете се, че разчитате ясно знаците и стикерите.
- Не позволявайте на лице да работи с продукта, освен ако не се уверите, че е прочело и разбрало съдържанието на ръководството за оператора.
- Не позволявайте на дете да работи с продукта.
- Дръжте децата далеч от работната зона. През цялото време трябва да присъства отговорен възрастен.
- Не позволявайте на лице, което не е запознато с инструкциите, да работи с продукта.
- Винаги наблюдавайте лице с намален физически или умствен капацитет, което използва продукта. През цялото време трябва да присъства отговорен възрастен.
- Не използвайте продукта, ако сте уморени, болни или под въздействието на алкохол, наркотици или лекарства. Това състояние оказва

отрицателно въздействие върху Вашето зрение, бдителност, координация и преценка.

- Не използвайте продукт, който е повреден или не работи правилно.
- Не променяйте този продукт и не го използвайте, ако има вероятност той да е бил променен от други лица.
- Не променяйте регулировката за управление на оборотите на двигателя.

## Безопасност на работната област



**ПРЕДУПРЕЖДЕНИЕ:** Прочетете следващите предупредителни указания, преди да използвате машината.

- Отстранете препятствия като клони, пръчки и камъни от работната зона, преди да използвате продукта.
- Обектите, които се удрят в режещото оборудване, могат да бъдат изхвърлени и да причинят нараняване на лицата и щети на предметите. Дръжте страничните наблюдатели и животните на безопасно разстояние от продукта.
- Никога не използвайте продукта в лошо време – например при мъгла, дъжд, силни ветрове, много силен студ и риск от мълнии. Използването на продукта в лошо време или върху влажни или мокри терени е изморително. Лошото време може да създаде опасни условия, като например хлъзгави повърхности.
- Внимавайте за лица, предмети и ситуации, които могат да са причина за намаляване на безопасната работа на продукта.
- Внимавайте за препятствия като корени, камъни, клони, ями и канавки. Дългата трева може да крие препятствия.
- Косенето на трева на склон може да бъде опасно. Не работете с продукта, когато наклонът на повърхността е повече от 15°.
- Използвайте продукта напречно на склона. Не се движете нагоре и надолу.
- Внимавайте, когато преминавате покрай закриват ъгли и предмети, които скриват зрителното Ви поле.

## Безопасност при работа



**ПРЕДУПРЕЖДЕНИЕ:** Прочетете следващите предупредителни указания, преди да използвате машината.

- Използвайте този продукт само за косене на морави. Не се допуска използването му за други цели.
- Използвайте лични предпазни средства. Вижте *Лични предпазни средства на страница 24*.
- Уверете се, че знаете как бързо да спрете двигателя при аварийна ситуация.

- Никога не стартирайте двигателя в затворено пространство или близо до запалими материали. Отработените газове от двигателя са горещи и могат да съдържат искри, които да предизвикат пожар.
- Не работете с продукта, докато ножът и всички капаци не се монтират правилно. Неправилно монтираният нож може да се разхлаби и да причини телесна повреда.
- Уверете се, че ножът няма да се удря в обекти, като например камъни и корени. Това може да доведе до повреда на ножа и до огъване на двусекционния вал на двигателя. Огънатата ос предизвиква силни вибрации и има много голяма опасност ножът да се разхлаби.
- Ако ножът се удари в някакъв обект или се получат вибрации, спрете веднага продукта. Изключете запалителния кабел от запалителната свещ. Проверете продукта за повреди. Ремонтирайте повредите или потърсете оторизиран сервиз за това.
- Никога не прикрепяйте ръчката на спирачката на двигателя за постоянно върху дръжката, когато двигателят е стартиран.
- Поставете продукта върху стабилна, равна повърхност и го стартирайте. Уверете се, че ножът не се допира в земята или в други предмети.
- Винаги стойте зад продукта, когато го използвате.
- Всички колела трябва да бъдат на земята и да държите дръжката с 2 ръце, когато работите с продукта. Дръжте ръцете и краката си далеч от въртящите се остриета.
- Не наклоняйте продукта при стартиран двигател.
- Бъдете внимателни, когато дърпате продукта назад.
- Никога не повдигайте продукта при стартиран двигател. Ако се налага да вдигнете продукта, първо спрете двигателя и изключете запалителния кабел от запалителната свещ.
- Не се движете назад при работа с продукта.
- Спрете двигателя, когато преминавате през области без трева, например пътеки от чакъл, камък или асфалт.
- Не тичайте с продукта, когато двигателят работи. Винаги ходете, когато работите с продукта.
- Спрете двигателя, преди да промените височината на рязане. Никога не регулирайте при стартиран двигател.
- Никога не оставяйте продукта без надзор, когато двигателят работи. Спрете двигателя и се уверете, че режещото оборудване не се върти.

# Инструкции за безопасност за работа

## Лични предпазни средства



**ПРЕДУПРЕЖДЕНИЕ:** Прочетете следващите предупредителни указания, преди да използвате машината.

- Личните предпазни средства не изключват изцяло риска от нараняване, но намаляват степента на нараняването при злополука. Нека вашият дилър Ви помогне да изберете подходящото оборудване.
- Използвайте антифони, ако нивото на шума е високо от 85 dB.
- Носете ботуши или обувки, устойчиви на хлъзгане. Не носете отворени обувки и не ходете боси.
- Използвайте дълги панталони от здрав плат.
- Когато е необходимо, носете защитни ръкавици, например, когато закрепвате, проверявате или почиствате режещото оборудване.

## Устройства за безопасност на продукта



**ПРЕДУПРЕЖДЕНИЕ:** Прочетете следващите предупредителни инструкции, преди да използвате продукта.

- Не използвайте продукт с устройства за безопасност, които са повредени или не работят правилно.
- Извършвайте редовно проверка на устройствата за безопасност. Ако устройствата за безопасност са повредени или не работят правилно, се обърнете към Вашия сервизен дилър на Husqvarna.
- Не правете модификации по устройствата за безопасност.

## За проверка на капака срещу порязване

Капакът срещу порязване намалява вибрациите в продукта и опасността от нараняване, причинени от острието.

- Проверете капака срещу порязване, за да се уверите, че няма повреди, като например пукнатини.

## За проверка на ръчката на спирачката на двигателя

Ръчката за спирачката на двигателя спира двигателя. Когато ръчката за спирачката на двигателя бъде пусната, двигателят спира.

- Запалете двигателя и след това освободете ръчката на спирачката на двигателя. Ако двигателят не спре след 3 секунди, позволете на одобрен Husqvarna сервиз да регулира спирачката на двигателя. (Фиг. 16)

## Ауспук

Ауспухът е предназначен за максимално намаляване на нивата на шума и за отвеждане на отработените газове настрана от оператора.

Не използвайте продукта, ако ауспухът липсва или е повреден. Повреденият ауспук повишава нивото на шума и риска от пожар.



**ПРЕДУПРЕЖДЕНИЕ:** Ауспухът се нагрива много по време на и след употреба и също при обороти на празен ход на двигателя. Бъдете внимателни близо до запалими материали и/или газове, за да предотвратите възникването на пожар.

## Безопасност при работа с гориво



**ПРЕДУПРЕЖДЕНИЕ:** Прочетете следващите предупредителни инструкции, преди да използвате продукта.

- Не стартирайте продукта, ако върху него има гориво или моторно масло. Отстранете нежеланото гориво/масло и оставете продукта да изсъхне.
- Ако разлеете гориво по дрехите си, ги сменете незабавно.
- Внимавайте да не попадне гориво върху тялото Ви, това може да причини нараняване. Ако гориво попадне върху тялото Ви, използвайте сапун и вода, за да го отстраните.
- Не стартирайте продукта, ако от двигателя има теч. Проверявайте редовно двигателя за течове.
- Внимавайте с горивото. Горивото е запалимо, изпаренията са взривоопасни и могат да причинят наранявания или смърт.
- Не вдъшвайте горивните изпарения, това може да причини нараняване. Уверете се, че има достатъчен въздушен поток.
- Не пушете близо до горивото или двигателя.
- Не поставяйте топли предмети близо до горивото или двигателя.
- Не добавяйте гориво, когато двигателят работи.
- Уверете се, че двигателят е изстинал преди зареждане с гориво.
- Преди зареждане с гориво отворете бавно капачката на резервоара за гориво и освободете внимателно налягането.
- Не добавяйте гориво към двигателя на площ на закрито. Недостатъчният въздушен поток



може да причини нараняване или смърт поради задушаване или въглероден окис.

- Затегнете капачката на резервоара за гориво докрай. Ако капачката на резервоара за гориво не е затегната, има риск от пожар.
- Преди стартиране преместете продукта най-малко на 3 м/10 ft от мястото, където сте напълнили резервоара.
- Не пълнете резервоара за гориво докрай. Топлината причинява увеличаване на обема на горивото. Оставете място в горната част на резервоара за гориво.
- Никога не съхранявайте продукта с гориво в резервоара за гориво вътре в сградата, където има източници на запалване, като например нагреватели за гореща вода, радиатори или сушилни за дрехи. Преди съхранение в каквото и да било затворено място оставете двигателя да се охлади.

## Инструкции за безопасност при техническо обслужване



**ПРЕДУПРЕЖДЕНИЕ:** Прочетете следващите предупредителни указания, преди да използвате машината.

- Отработените газове от двигателя съдържат въглероден окис – много опасен, отровен газ без

миризма. Не стартирайте двигателя на закрито или в затворени пространства.

- Преди техническо обслужване на продукта спрете двигателя и изключете запалителния кабел от запалителната свещ.
- Носете защитни ръкавици, когато ще изпълнявате дейности, свързани с техническото обслужване на режещото оборудване. Ножът е много остър и можете лесно да се порежете.
- Аксесоари и промени на продукта, които не са одобрени от производителя, могат да доведат до сериозно нараняване или смърт. Не правете промени по продукта. Винаги използвайте само аксесоари, които са одобрени от производителя.
- Ако техническото обслужване не се изпълнява правилно и редовно, рискът от нараняване и повреда на продукта се увеличава.
- Изпълнявайте техническото обслужване само както е посочено в това ръководство на собственика. Всички останали сервизни дейности трябва да се извършват от одобрен Husqvarna сервиз.
- Позволете одобрен Husqvarna сервиз редовно да обслужва продукта.
- Заменете повредени, износени или счупени части.

## Монтаж

### За да монтирате ръкохватката

1. Прекарайте винта (A) през ръкохватката (B), пластмасовата шайба (C) и опорната скоба на ръкохватката (D). (Фиг. 17)
2. Затегнете гайката (E) докрай.
3. Прекарайте винта (F) през шайбата (G) и опорната скоба на ръкохватката.
4. Затегнете фиксатора (H) докрай.
5. Подравнете отворите в ръкохватката с отворите в долната част на дръжката и прикрепете винтовете, шайбите и фиксаторите. Затегнете напълно фиксаторите. (Фиг. 18)
6. Закрепете кабелите към ръкохватката с помощта на кабелни превръзки. (Фиг. 19)

**Забележка:** Уверете се, че напрежението в кабелите не е твърде високо. Твърде високото напрежение може да повреди кабела, ако ръкохватката бъде сгъната в положение при транспортиране.

7. Поставете кабелите около куката в долната част на ръкохватката. (Фиг. 20)

### За регулиране на височината на ръкохватката

1. Разхлабете долните копчета. (Фиг. 21)
2. Отстранете фиксатора, шайбата и винта от лявата и дясната страна.
3. Ръкохватката може да бъде зададена на 2 различни височини. Поставете винта в единия от 2-та отвора от лявата и дясната страна. (Фиг. 22)
4. Прикрепете винтовете, шайбите и фиксаторите.
5. Преместете фиксаторите по посока на дръжката, докато спрат и се чуе щракване. Затегнете напълно фиксаторите. (Фиг. 23)

### За задаване на продукта в положение за транспортиране

1. Извадете коша за трева.
2. Разхлабете фиксаторите в горната част на ръкохватката и я сгънете надолу. (Фиг. 24)
3. Разхлабете долните копчета.
4. Преместете фиксаторите към долния край на каналите от лявата и дясната страна на продукта. (Фиг. 25)
5. Сгънете ръкохватката напред. (Фиг. 26)

## Задаване на продукта в положение за работа

1. Повдигнете управлението, докато долната дръжка се фиксира в положение за работа. (Фиг. 27)
2. Преместете фиксаторите по посока на дръжката, докато спрат и се чуе щракване.
3. Затегнете напълно фиксаторите. (Фиг. 28)
4. Повдигнете горната част на управлението.
5. Затегнете напълно фиксаторите. (Фиг. 29)

## За сглобяване на коша за трева

1. Поставете горната част на коша за трева върху долната му част. (Фиг. 30)
2. Прикрепете рамката на коша за трева с фиксаторите. (Фиг. 31)
3. Вдигнете задния капак.
4. Прикрепете куките върху коша за трева към горния край на шасито. (Фиг. 32)
5. Поставете долната част на коша за трева в канала за разтоварване на тревата.

---

## Операция

---

### Въведение



**ПРЕДУПРЕЖДЕНИЕ:** Преди работа с продукта трябва да прочетете и разберете главата за безопасност.

### Husqvarna Connect

Husqvarna Connect е безплатно приложение за Вашето мобилно устройство. Приложението Husqvarna Connect осигурява разширени функции за Вашия продукт на Husqvarna:

- Разширена продуктова информация.
- Информация и помощ за частите на продукта и сервисното обслужване.

### За да започнете да използвате Husqvarna Connect

1. Изтеглете приложението Husqvarna Connect на Вашето мобилно устройство.
2. Регистрирайте се в приложението Husqvarna Connect.
3. Изпълнете стъпките с инструкции в приложението Husqvarna Connect, за да свържете и регистрирате продукта.

### Преди да започнете работа с продукта

1. Прочетете внимателно ръководството за оператора и се уверете, че разбирате инструкциите.
2. Проверете режещото оборудване, за да се уверите, че то е правилно монтирано и регулирано. Вижте *За проверка на режещото оборудване на страница 28*.
3. Напълнете резервоара за гориво. Вижте *За наливане на гориво на страница 26*.
4. Напълнете резервоара за масло и проверете нивото на маслото. Вижте *За извършване на проверка на нивото на маслото на страница 29*.

### За наливане на гориво

Ако има наличен, използвайте бензин с ниско ниво на емисиите/алкилатно гориво. Ако не е наличен бензин с ниско ниво на емисиите/алкилатно гориво, използвайте висококачествен безоловен бензин или оловен бензин с октаново число, не по-малко от 91.



**ВНИМАНИЕ:** Не използвайте бензин с октаново число, по-малко от 91 RON. Това може да повреди продукта.



**ВНИМАНИЕ:** Сменяйте горивния филтър ежегодно или по-често, ако това е необходимо. Нов горивен филтър се предлага при Вашия дилър на Husqvarna.



**ВНИМАНИЕ:** Преди пълнене с гориво винаги спирайте двигателя.



**ВНИМАНИЕ:** Не използвайте пускови течности под налягане.

1. Отворете бавно капачката на резервоара за гориво, за да освободите налягането.
2. Заредете бавно резервоара от туба с гориво. Ако разлеее гориво, поийте го с кърпа и оставете горивото, което остане, да изсъхне. (Фиг. 33)
3. Почистете областта около капачката на резервоара за гориво.
4. Затегнете капачката на резервоара за гориво докрай. Ако капачката на резервоара за гориво не е затегната, има риск от пожар.
5. Преди стартиране преместете продукта най-малко на 3 m/10 ft от мястото, където сте напълнили резервоара.

## За регулиране на височината на рязане

1. Преместете назад лоста за височина на рязане, за да увеличите височината на рязане.
2. Преместете напред лоста за височина на рязане, за да намалите височината на рязане. (Фиг. 34)



**ВНИМАНИЕ:** Не настройвайте твърде ниска височина на рязане. Ножовете могат да се ударят в земята, ако повърхността на моравата не е равна.

## За стартиране на продукта

1. Уверете се, че запалителният кабел е свързан към запалителната свещ.
2. Останете зад продукта.
3. Задръжте ръчката на спирачката на двигателя до управлението. (Фиг. 35)
4. Дръжте дръжката на стартерното въже с дясната си ръка.
5. Бавно издърпайте стартерното въже, докато почувствате някакво съпротивление.
6. Издърпайте силно шнура, докато двигателят запали.



**ПРЕДУПРЕЖДЕНИЕ:** Не навивайте стартерното въже около ръката си.

## За да използвате задвижването на колелата

- Дръпнете дръжката за задвижване по посока на ръкохватката. (Фиг. 36)

- Освободете дръжката за задвижване, за да изключите задвижването, например, когато приближите прелетствие.
- Преди да дръпнете продукта назад, изключете задвижването и бутнете продукта напред приблизително 10 cm.

## Спиране на продукта

- За да спрете само задвижването, освободете дръжката за задвижване.
- За да спрете двигателя, освободете ръчката за спирачката на двигателя.

## За получаване на добър резултат

- Винаги използвайте остър нож. Косенето със затъпен нож е неравномерно и окосената повърхност пожълтява. При работа с остър нож също така се използва по-малко енергия отколкото при работа със затъпен нож.
- Не отрязвайте повече от  $\frac{1}{2}$  от дължината на тревата. Първо, косете със зададена висока височина на рязане. Вижте какъв е резултатът и намалете височината на рязане до подходящо ниво. Ако тревата е много висока, карайте бавно и – ако е необходимо – окосете два пъти.
- Режете всеки път в различни посоки, за да избегнете образуването на линии в моравата.
- Поддържайте капака за рязане чист. Натрупването на трева и замърсявания по вътрешната страна на капака за рязане могат да намалят резултата от рязането. Вижте *За почистване на вътрешната повърхност на капака на режещите части на страница 28.*

## Поддръжка

### Въведение



**ПРЕДУПРЕЖДЕНИЕ:** Преди да извършите техническо обслужване, трябва да прочетете и разберете главата за безопасност.

За всички работи по обслужването и поправката на продукта е необходимо специално обучение. Осигуряваме предлагане на професионални ремонти и обслужване. Ако Вашият дилър не предлага сервизно обслужване, се свържете с него, за да Ви даде информация за най-близкия сервиз.

За по-подробна информация направете справка с .

### График за техническо обслужване



**ВНИМАНИЕ:** Уверете се, че въздушният филтър е насочен нагоре, а не към земята, когато наклоняте продукта. Опасност от повреда на двигателя.

Интервалите за техническо обслужване са изчислени в зависимост от ежедневната употреба на продукта. Интервалите се променят, ако продуктът не се използва ежедневно.

За техническо обслужване, маркирано със \*, направете справка с инструкциите в *Устройства за безопасност на продукта на страница 24.*

Поддръжка	Ежедневно	Всеки месец	Всеки сезон
Обща проверка	X		
Проверка на нивото на маслото	X		
Смяна на маслото (първи път след 5 ч употреба, след това на всеки 50 ч употреба) <sup>8</sup>			X
Почистване на продукта	X		
Преглед на режещото оборудване	X		
Проверка на капака на режещите части *	X		
Проверете ръчката на спирачката на двигателя *	X		
Проверете ауспуха *		X	
Проверете запалителната свещ. Почистете или сменете запалителната свещ, ако е необходимо			X
Проверете въздушния филтър	X		
Почистване въздушния филтър <sup>9</sup>		X	
Смяна на въздушния филтър			X
Проверка на горивната система			X
Почистете охладителните ребра на цилиндъра		X	
Проверете и регулирайте кабела на съединителя (LC 140SP)			X

### За извършване на обща проверка

- Уверете се, че всички гайки и винтове на продукта са затегнати правилно.

### За външно почистване на машината

- За отстраняване на листа, трева и прах използвайте четка.
- Уверете се, че смукателният въздухопровод в горната част на двигателя не е блокиран.
- Не мийте продукта с устройство за миене под високо налягане.
- Ако използвате вода за почистване на продукта, не насочвайте струята вода директно върху двигателя.

### За почистване на вътрешната повърхност на капака на режещите части

- Изпразнете резервоара за гориво.
- Наклонете продукта. Уверете се, че запалителната свещ е насочена нагоре.

<sup>8</sup> Ако продуктът работи при тежко натоварване или високи околни температури, сменяйте моторното масло на всеки 25 часа.

<sup>9</sup> Почиствайте по-често в запрашена среда или когато във въздуха се носят частици. Сменете въздушния филтър, ако е много замърсен.



**ВНИМАНИЕ:** Ако продуктът се постави с въздушния филтър надолу, двигателят може да се повреди.

- Промийте вътрешната повърхност на капака на режещите части с вода.

### За проверка на режещото оборудване



**ПРЕДУПРЕЖДЕНИЕ:** За предотвратяване на случайно стартиране извадете запалителния кабел от запалителната свещ.



**ПРЕДУПРЕЖДЕНИЕ:** Носете защитни ръкавици, когато ще изпълнявате дейности, свързани с техническото обслужване на режещото оборудване. Ножът е много остър и можете лесно да се порежете.

1. Проверете режещото оборудване за повреди или пукнатини. Винаги заменяйте повреденото режещо оборудване.
2. Погледнете ножа, за да разберете дали не е повреден или затъпен.

---

**Забележка:** Необходимо е да балансирате ножа след заточване. Ножът се заточва, сменя и балансира от сервизен център. Ако ударите препятствие и вследствие на това продуктът спре, сменете повредения нож. Оставете специалистите в сервиза да преценят дали ножът ще трябва да се заточи, или да се смени.

---

## За смяна на ножа

1. Фиксирайте ножа с дървено блокче. (Фиг. 37)
2. Отстранете болта на ножа и пружинната шайба.
3. Отстранете ножа.
4. Проверете опората на ножа и болта на ножа, за да видите дали има повреди.
5. Проверете дали валът на двигателя не е огънат.
6. Когато закрепвате новия нож, насочете извитите краища на ножа по посока към капака на режещите части. (Фиг. 38)
7. Уверете се, че ножът е подравнен с центъра на вала на двигателя.
8. Фиксирайте ножа с дървено блокче. Закрепете пружинната шайба и затегнете болта и шайбата в въртящ момент 45–60 Nm. (Фиг. 39)
9. Раздвижете ножа на ръка и се уверете, че той се върти свободно.



### ПРЕДУПРЕЖДЕНИЕ:

Използвайте ръкавици с висока здравина. Ножът е много остър и можете лесно да се порежете.

10. Стартирайте продукта, за да извършите тест на ножа. Ако ножът не е закрепен правилно, продуктът вибрира или резултатът от косенето е незадоволителен.

## За извършване на проверка на нивото на маслото



**ВНИМАНИЕ:** Твърде ниското ниво на маслото може да доведе до повреда на двигателя. Извършете проверка на нивото на маслото, преди да стартирате продукта.

1. Поставете продукта на равна повърхност.
2. Отстранете капачката на резервоара за масло и закрепената мерителна пръчка.
3. Почистете маслото от мерителната пръчка.

4. Потопете мерителната пръчка докрай в резервоара за масло, за да получите точна информация за нивото на маслото. Не закрепвайте капачката на резервоара за масло.
5. Отстранете капачката на резервоара за масло и закрепената мерителна пръчка.
6. Проверете какво е нивото на маслото на мерителната пръчка.
7. Ако нивото на маслото е ниско, заредете моторно масло и отново извършете проверка на нивото му. (Фиг. 40)

---

**Забележка:** Използвайте фуния, за да предотвратите разливане.

---

8. Монтирайте капачката на резервоара за масло, когато нивото на маслото е правилно.

## За смяна на моторното масло



### ПРЕДУПРЕЖДЕНИЕ:

Моторното масло е много горещо непосредствено след спирането на двигателя. Оставете двигателя да изстине, преди да източите моторното масло. Ако разлеее моторно масло върху кожата си, почистете със сапун и вода.

(Фиг. 41)

1. Работете с продукта, докато резервоарът за гориво се изпразни.
2. Отстранете запалителния кабел от запалителната свещ.
3. Отстранете капачката на резервоара за масло и закрепената мерителна пръчка.
4. Поставете съд под продукта, в който да се събере моторното масло.
5. Наклонете продукта или източете моторното масло от резервоара за масло с помощта на маслена помпа (принадлежност).
6. Заредете с ново моторно масло от препоръчания тип в *Технически данни на страница 32*.
7. Извършете проверка на нивото на моторното масло. Направете справка с *За извършване на проверка на нивото на маслото на страница 29*.
8. Монтирайте капачката на резервоара за масло, когато нивото на маслото е правилно.

## За почистване на филтъра от пореста пластмаса



**ВНИМАНИЕ:** Не стартирайте двигателя без въздушните филтри. Износването на двигателя се увеличава, ако въздухът е замърсен.

1. Отстранете капака на въздушния филтър (А). (Фиг. 42)
2. Отстранете филтрите от пореста пластмаса (В).



**ВНИМАНИЕ:** Проверете филтрите от пореста пластмаса за повреда или износване. Сменете всички повредени филтри от пореста пластмаса.

3. Почистете филтрите от пореста пластмаса със сапун и вода.
4. Измийте филтрите от пореста пластмаса в чиста вода.
5. Изстискайте водата от филтрите от пореста пластмаса и ги оставете да изсъхнат.



**ВНИМАНИЕ:** Не използвайте въздух под налягане. Това може да причини повреда на филтъра от пореста пластмаса.

6. Смажете филтрите от пореста пластмаса с моторно масло.
7. Притиснете чиста кърпа върху филтъра от пореста пластмаса, за да отстраните нежеланото масло.
8. Монтирайте филтрите от пореста пластмаса. Уверете се, че филтрите от пореста пластмаса прилепват плътно към държача на въздушния филтър.
9. Монтирайте капака на въздушния филтър.

## За извършване на проверка на запалителната свещ



**ВНИМАНИЕ:** Използвайте винаги запалителните свещи от препоръчания вид. Използването на запалителна свещ от неправилен тип може да причини повреда на продукта.

- Извършете проверка на запалителната свещ, ако двигателят е с понижена мощност, стартира трудно или работи неправомерно при обороти на празен ход.
- За да намалите риска от попадане на нежелани материали върху електродите на запалителната свещ, следвайте тези инструкции:
  - a) Проверете дали оборотите на празен ход са правилно регулирани.
  - b) Уверете се, че горивната смес е правилна.
  - c) Уверете се, че въздушният филтър е чист.
- Ако запалителната свещ е замърсена, я почистете и проверете дали разстоянието между електродите е правилно, направете справка с *Технически характеристики на страница 32.* (Фиг. 43)

- Сменете запалителната свещ, ако е необходимо.

## За проверка на горивната система

- Проверете капачката на резервоара за гориво и уплътнението на капачката на резервоара за гориво, за да се уверите, че не са повредени.
- Проверете маркуча за горивото, за да се уверите, че не тече. Ако маркучът за горивото е повреден, той трябва да се смени от сервиз.

## За източване на резервоара за гориво

1. Поставете съд под резервоара за гориво.
2. Отстранете капачката на резервоара за гориво.
3. Натиснете скобите на маркуча върху маркуча за гориво към карбуратора.
4. Отстранете маркуча за гориво от карбуратора.
5. Поставете маркуча на резервоара за гориво в съда и отстранете скобите на маркуча.
6. Наклонете продукта и източете горивото в съда.

## За смяна на горивния филтър



### ПРЕДУПРЕЖДЕНИЕ:

Използвайте защитни ръкавици.

1. Източете резервоара за гориво.
2. Преместете скобата на маркуча далеч от резервоара за гориво. (Фиг. 44)
3. Отстранете маркуча за гориво от резервоара за гориво. Възможно е да изтече малко количество гориво. (Фиг. 45)
4. Отстранете горивния филтър от резервоара за гориво. (Фиг. 46)
5. Монтирайте нов горивен филтър в резервоара за гориво.
6. Закрепете маркуча за гориво към резервоара за гориво.
7. Поставете скобата на маркуча на място към резервоара за гориво.

## За да регулирате кабела на съединителя (LC 140SP)

За следните ситуации е необходимо да намалите дължината на кабела на съединителя:

- Задвижването на колелата не се задейства, когато издърпате дръжката за задвижване или лоста за управление на скоростта.
- Продуктът се движи бавно, когато задвижването на колелата е задействано.

За следните ситуации е необходимо да увеличите дължината на кабела на съединителя:

- Продуктът се движи, когато задвижването на колелата е задействано.
- Регулирайте кабела на съединителя.
  - a) За да намалите дължината на кабела на съединителя, завъртете регулиращия винт обратно на часовниковата стрелка.
  - b) За да увеличите дължината на кабела на съединителя, завъртете регулиращия винт по часовниковата стрелка. (Фиг. 47)

Ако продуктът продължава да се движи незадоволително след регулирането, обърнете се към своя сервизен дистрибутор

## Търсене и отстраняване на неизправностите по двигателя

Проблем	Възможна причина	Решение
Двигателят не стартира.	Запалителният кабел не е свързан правилно.	Свържете запалителния кабел към запалителната свещ.
	Резервоарът за гориво е празен.	Напълнете резервоара за гориво с правилния тип гориво.
	Горивото е старо.	Източете резервоара за гориво и карбуратора. Презаредете с нов бензин.
	Има замърсяване в карбуратора или в горивопровода.	Почистете карбуратора и/или горивопровода.
	Запалителната свещ е повредена.	Регулирайте разстоянието между електродите, почистете или сменете запалителната свещ.
	Има гориво по запалителната свещ.	Почистете запалителната свещ.
Двигателят не спира.	Спирателният механизъм не работи правилно.	Разкачете запалителния кабел от запалителната свещ. Оставете ремонта на продукта на одобрен сервиз.
Двигателят не работи плавно равномерно.	Запалителният кабел не е свързан правилно.	Свържете запалителния кабел към запалителната свещ.
	В горивопровода има замърсяване или срокът на годност на горивото е изтекъл.	Почистете горивопровода. Напълнете резервоара за гориво с ново гориво от правилния тип.
	В капачката на резервоара за гориво има запушване.	Почистете капачката на резервоара за гориво.
	Има вода или замърсяване в горивната система.	Източете резервоара за гориво. Напълнете резервоара за гориво с ново гориво от правилния тип.
	Въздушният филтър е замърсен.	Почистете въздушния филтър.
	Карбураторът трябва да бъде регулиран.	Оставете регулирането на карбуратора на сервизен дилър.
Двигателят става прекалено горещ.	Нивото на моторното масло е прекалено ниско.	Долейте моторно масло.
	Въздушният поток не е достатъчен.	Почистете въздушния филтър и корпуса на въздушния филтър.
	Карбураторът трябва да бъде регулиран.	Оставете регулирането на карбуратора на сервизен дилър.

Проблем	Възможна причина	Решение
Има неуспешно запалване в двигателя, когато работи при високи обороти.	Разстоянието между електродите в запалителната свещ е прекалено малко.	Регулирайте разстоянието между електродите.
Чуват се необичайни звуци от двигателя при нормално натоварване.	Неправилен тип бензин.	Източете резервоара за гориво и карбуратора. Презаредете с нов бензин. Направете справка с <i>За наливане на гориво на страница 26</i> . Ако проблемът продължи, се обърнете към Вашия местен сервизен дилър.
Двигателят не работи правилно равномерно при обороти на празен ход.	Запалителната свещ е замърсена, повредена или разстоянието между електродите е прекалено голямо.	Регулирайте разстоянието между електродите или сменете запалителната свещ.
	Карбураторът трябва да бъде регулиран.	Регулирайте карбуратора.
	Въздушният филтър е замърсен.	Почистете въздушния филтър.

## Транспортиране, съхранение и изхвърляне

### Транспорт и съхранение

- При съхранението и транспортирането на продукта и горивото се уверете, че няма течове или изпарения. Искри или открит огън, например от електрически уреди или котли може да възникне пожар.
- Винаги използвайте одобрени контейнери за съхранение и транспортиране на гориво.
- Изпразнете резервоара за гориво, преди да приберете продукта за съхранение за дълъг период от време. Изхвърлете горивото на подходящо за целта място
- Прикрепете продукта по безопасен начин по време на транспортирането, за да се предотвратят повреди и злополуки.

- Съхранявайте продукта под ключ, за да предотвратите достъпа до него на деца или лица, които не са упълномощени да го използват.
- Съхранявайте продукта на сухо и незамръзващо място.

### Изхвърляне

- Съблюдавайте местните изисквания за рециклиране и приложимите разпоредби.
- Изхвърлете всички химикали, като например двигателно масло или гориво, в сервизен център или на подходящо за целта място.
- Когато продуктът вече не се използва, изпратете го на Husqvarna дилър или го изхвърлете на място за рециклиране.

## Технически данни

### Технически характеристики

	LC 140P	LC 140SP
<b>Двигател</b>		
Марка	Husqvarna	Husqvarna
Име на модел на двигател	HS 123A	HS 123A
Тип на двигателя	Едноцилиндров, 4-тактов, принудително въздушно охлаждане, OHV	Едноцилиндров, 4-тактов, принудително въздушно охлаждане, OHV



	LC 140P	LC 140SP
Работен обем, cm <sup>3</sup>	123	123
Скорост, об./мин	3000	3000
Номинална изходна мощност на двигателя, kW <sup>10</sup>	1,95	1,95
<b>Запалителна система</b>		
Запалителна свещ	Husqvarna HQT-7	Husqvarna HQT-7
Разстояние между електродите, mm	0,7 – 0,8	0,7 – 0,8
<b>Горивна и смазочна система</b>		
Тип на смазването на двигателя	Разпръскване	Разпръскване
Капацитет на резервоара за гориво, литър	0,9	0,9
Капацитет на резервоара за масло, литър	0,5	0,5
Моторно масло <sup>11</sup>	Husqvarna SAE 30, Husqvarna SAE 5W-30 синтетично, Husqvarna SAE 10W-40	Husqvarna SAE 30, Husqvarna SAE 5W-30 синтетично, Husqvarna SAE 10W-40
<b>Тегло</b>		
С празни резервоари, kg	25,2	26,8
<b>Шумови емисии</b> <sup>12</sup>		
Ниво на звуковата мощност, измерено, dB(A)	93	93
Ниво на звуковата мощност, гарантирано, L <sub>WA</sub> dB(A)	94	94
<b>Нива на шума</b> <sup>13</sup>		
Ниво на звуковото налягане при ухото на оператора, dB(A)	82	82
<b>Нива на вибрациите</b> <sup>14</sup>		
Направляваща дръжка за вибрациите, m/s <sup>2</sup>	5,6	7,6
<b>Режещо оборудване</b>		
Височина на рязане, mm	25 – 75	25 – 75

<sup>10</sup> Номиналната мощност на двигателя е средната нетна мощност (при указаните об/мин) на стандартен двигател за модела двигател, измерен спрямо SAE стандарта J1349/ISO1585. Двигателите масово производство може да се отклоняват от тази стойност. Действителната изходна мощност за двигателя, инсталиран на крайния продукт, ще зависи от работната скорост, условията на околната среда и други стойности.

<sup>11</sup> Използвайте моторно масло с качество API SJ или по-високо. Ако се използва масло SAE-30 при температура, по-ниска от +5°C, съществува риск двигателят да не бъде смазан достатъчно. Това може да причини повреда на двигателя. Направете справка с *За смяна на моторното масло на страница 29* за правилното масло за ниски температури. Направете справка с таблицата с вискозитети в ръководството на двигателя (ако е включено) и изберете най-добрия вискозитет спрямо очакваната външна температура.

<sup>12</sup> Емисии на шума в околната среда, измерени като звукова мощност (L<sub>WA</sub>) в съответствие с директива на ЕО 2000/14/ЕО.

<sup>13</sup> Отчетените данни за нивото на звуковото налягане имат типична статистическа дисперсия (стандартно отклонение) от 1,2 dB (A).

<sup>14</sup> Отчетените данни за нивото на вибрациите имат типична статистическа дисперсия (стандартно отклонение) от 0,2 m/s<sup>2</sup>.

	<b>LC 140P</b>	<b>LC 140SP</b>
Ширина на рязане, mm	400	400
Режеща система	Събиране/изхвърляне от-зад	Събиране/изхвърляне от-зад
Ножове – стандартни	Колекция 5873863-10	Колекция 5873863-10
Капацитет на коша за трева, литър	50	50
<b>Задвижване</b>		
Обороти за самостоятелно задвижване, km/h	–	4

# Декларация за съответствие

## Декларация за съответствие на ЕС

Ние, **Husqvarna AB**, SE-561 82 Huskvarna, Швеция,  
тел.: +46-36-146500, декларираме на своя собствена  
отговорност, че продуктът:

<b>Описание</b>	Косачка за трева
<b>Марка</b>	Husqvarna
<b>Тип/модел</b>	LC 140P, LC 140SP
<b>Идентификация</b>	Серийни номера от 2022 и нататък

отговаря напълно на следните директиви и  
регламенти на ЕС:

Регламент	Описание
2006/42/ЕО	"относно машините"
2014/30/ЕС	"относно електромагнитната съвместимост"
2000/14/ЕО	"относно шумовите емисии в околната среда"
2011/65/ЕС	"по отношение на ограничението за използване на определени опасни вещества в електрическо и електронно оборудване"

и че следните стандарти и/или технически  
характеристики са приложени: EN ISO 5395-1:2013/  
A1:2018, EN ISO 5395-2:2013/A1:2016/A2:2017, EN  
ISO 14982:2009, EN IEC 63000:2018

Нотифициран орган: 0404, RISE SMP Svensk  
Maskinprovning AB, Box 4053, SE-904 03 Umeå,  
Sweden, сертифицира за съответствие с Директива  
на съвета 2000/14/ЕО, процедура за оценка на  
съответствието: приложение VI.

За информация относно шумови емисии направете  
справка с *Технически данни на страница 32*.

Huskvarna, 2022-09-27



Claes Losdal, мениджър "Разработки и развитие/  
градински продукти", Husqvarna AB

Отговорен за техническата документация



---

# Obsah

---

Úvod.....	36	Odstraňování problémů s motorem.....	45
Bezpečnost.....	37	Přeprava, skladování a likvidace.....	46
Montáž.....	39	Technické údaje.....	46
Provoz.....	40	Prohlášení o shodě.....	48
Údržba.....	41		

---

## Úvod

---

### Popis výrobku

Výrobek je rotační sekačka na trávu s péší obsluhou. Koš na trávu slouží ke sběru posečené trávy. Chcete-li otevřít zadní výhoz trávy, sejměte koš na trávu.

### Popis výrobku

(Obr. 1)

1. Řídítka
2. Páka pojezdu (LC 140SP)
3. Rukojeť startéru
4. Sběrací koš
5. Palivová nádrž
6. Vzduchový filtr
7. Zapalovací svíčka
8. Kryt žacího ústrojí
9. Tlumič výfuku
10. Víčko olejové nádrže
11. Páka pro nastavení výšky sečení
12. Zadní kryt
13. Páka brzdy motoru
14. Symboly
15. Sestava dolní části rukojeti
16. Dolní část řídítek
17. Návod k používání
18. Olejový trychtýř

### Symboly na výrobku

- (Obr. 2) **VAROVÁNÍ!** Buďte opatrní a výrobek používejte správně. Tento výrobek může způsobit obsluze a dalším osobám vážné zranění.
- (Obr. 3) Před použitím si pozorně prostudujte tento návod k používání a nepoužívejte výrobek, pokud návodu zcela nerozumíte.
- (Obr. 4) Pozor na odvržené a odražené předměty.
- (Obr. 5) Zajistěte, aby se v pracovní oblasti a jejím okolí nezdržovaly nepovolané osoby či zvířata.

### Zamýšlené použití

Výrobek používejte k sečení trávy. K jiným činnostem výrobek nepoužívejte.

- (Obr. 6) Varování: Ruce a nohy udržujte mimo dosah rotujícího nože.
- (Obr. 7) Varování: Ruce a nohy udržujte mimo dosah rotujících částí.
- (Obr. 8) Před prováděním oprav a údržby vypněte motor a odpojte kabel zapalování.
- (Obr. 9) Tento výrobek vyhovuje příslušným směrnici ES.
- (Obr. 10) Štítek s emisemi hluku do okolí podle směrnice a předpisů Evropské unie a Spojeného království a nařízení o regulaci hluku v australském Novém Jižním Walesu „Protection of the Environment Operations (Noise Control) Regulation 2017“. Garantovaná hladina akustického výkonu tohoto výrobku je uvedena v části *Technické údaje na strani 46* a na štítku.
- (Obr. 11) Tento výrobek vyhovuje platným předpisům Spojeného království.
- (Obr. 12) Nebezpečí požáru.
- (Obr. 13) Nevdechujte výfukové plyny. Výfukové plyny obsahují oxid uhelnatý, jedovatý a velmi nebezpečný plyn bez zápachu. Nenechávejte motor spuštěný ve vnitřních nebo uzavřených prostorech.
- (Obr. 14) Horký povrch.
- (Obr. 15) Před nastartováním výrobku doplňte do motoru olej.

**Povšimněte si:** Další symboly/štítky na výrobku se týkají certifikačních požadavků pro některé komerční oblasti.

## Emise Euro V



**VÝSTRAHA:** Manipulace s motorem vede k zneplatnění typového schválení EU tohoto výrobku.

## Poškození výrobku

Neneseme odpovědnost za poškození výrobku, pokud:

- byl výrobek nesprávně opraven.
- byl výrobek opraven pomocí součástí od jiného výrobce nebo součástí, které nejsou výrobcem schváleny.
- má výrobek příslušenství od jiného výrobce nebo příslušenství, které není výrobcem schváleno.
- výrobek nebyl opraven ve schváleném servisním středisku nebo schváleným odborníkem.

## Bezpečnost

### Definice týkající se bezpečnosti

Varování, upozornění a poznámky slouží jako upozornění na specifické důležité části návodu.



**VÝSTRAHA:** Používá se v případě nebezpečí úrazu nebo usmrcení obsluhy nebo okolních osob, pokud nejsou dodrženy pokyny uvedené v této příručce.



**VAROVÁNÍ:** Používá se v případě nebezpečí poškození výrobku, dalších materiálů či škod na majetku v blízkém okolí, pokud nejsou dodrženy pokyny uvedené v této příručce.

**Povšimněte si:** Používá se k poskytnutí dalších informací, které jsou nezbytné v dané situaci.

### Obecné bezpečnostní pokyny



**VÝSTRAHA:** Před použitím výrobku si přečtěte následující varování.

- Tento výrobek je nebezpečný, nepoužívá-li se správně nebo není-li věnována provozu řádná pozornost. Nedodržení bezpečnostních pokynů může vést ke zranění nebo usmrcení.
- Tento výrobek vytváří během provozu elektromagnetické pole. Toto pole může za určitých okolností narušovat funkci aktivních či pasivních implantovaných lékařských přístrojů. Za účelem snížení rizika možného zranění nebo smrtelného úrazu doporučujeme osobám s implantovanými lékařskými přístroji poradit se před použitím výrobku s lékařem a s výrobcem implantovaného lékařského přístroje.
- Buďte stále opatrní a používejte zdravý rozum. Pokud si nejste jisti, jak výrobek ovládat ve zvláštních situacích, vypněte jej a obraťte se na prodejce Husqvarna, než budete pokračovat v práci.

- Mějte na paměti, že obsluha je odpovědná za nehody a škody vzniklé jiným osobám nebo na jejich majetku.
- Udržujte výrobek čistý. Ujistěte se, že jsou značky a štítky dobře čitelné.
- Nedovolte osobám používat výrobek, nejste-li si jisti, že si přečetly návod k používání a porozuměly jeho obsahu.
- Nedovolte dětem používat výrobek.
- Udržujte děti mimo pracovní oblast. Vždy musí být přítomna zodpovědná dospělá osoba.
- Nedovolte, aby výrobek obsluhovala osoba, která nezná pokyny.
- Vždy dohlížejte na osoby s fyzickým nebo mentálním postižením při práci s výrobkem. Vždy musí být přítomna zodpovědná dospělá osoba.
- Nepoužívejte výrobek, jste-li unavení, nemocní nebo pod vlivem alkoholu, drog nebo léků. To by mohlo ovlivnit váš zrak, ostražitost, koordinaci a úsudek.
- Nepoužívejte výrobek, který je poškozený nebo nefunguje správně.
- Nikdy neupravujte výrobek a nepoužívejte jej, pokud je možné, že jej upravil někdo jiný.
- Neměňte nastavení regulace otáček motoru.

### Bezpečnost pracovního prostoru



**VÝSTRAHA:** Před použitím výrobku si přečtěte následující varování.

- Před použitím výrobku, odklíďte z pracovní oblasti předměty, jako jsou větve, větvičky a kameny.
- Předměty, které mohou být zachyceny žacími ústrojími mohou být odmrštěny a způsobit zranění osob a poškození předmětů. Udržujte osoby v okolí a zvířata v bezpečné vzdálenosti od výrobku.
- Nikdy nepoužívejte výrobek za špatného počasí, jako je mlha, déšť, silný vítr, intenzivní chlad a nebezpečí blesku. Použití výrobku za špatného počasí nebo ve vlhkých či mokrých podmínkách je namáhavé. Nepříznivé počasí může vytvořit nebezpečné podmínky, např. kluzký povrch.

- Dávejte pozor na osoby, předměty a situace, které mohou bránit bezpečnému provozu výrobku.
- Dávejte pozor na překážky, jako jsou kořeny, kameny, větve, díry a příkopy. Vysoká tráva může překážky skrýt.
- Sečení trávy na svazích může být nebezpečné. Nepoužívejte výrobek na svahu se sklonem větším než 15°.
- S výrobkem jezděte po vrstevnicích. Nepohybujte se na svahu nahoru a dolů.
- Postupujte opatrně v blízkosti skrytých rohů a objektů, které mohou bránit ve výhledu.

## Bezpečnost práce



**VÝSTRAHA:** Před použitím výrobku si přečtěte následující varování.

- Tento výrobek použijte výhradně k sečení trávy. Není dovoleno používat výrobek k jiným činnostem.
- Používejte osobní ochranné prostředky. Další informace naleznete v části *Osobní ochranné prostředky na straně 38*.
- Ujistěte se, že víte, jak v případě nouze rychle zastavit motor.
- Nikdy nespouštějte motor v uzavřených prostorech nebo v blízkosti hořlavého materiálu. Výfukové plyny z motoru jsou horké a mohou obsahovat jiskry, které by mohly zažehnout požár.
- Neprovazujte výrobek, pokud není správně namontovaný nůž a všechny kryty. V opačném případě by se mohl nůž uvolnit a způsobit zranění osob.
- Zajistěte, aby nůž nenarazil do předmětů, jako jsou kameny a kořeny. Mohlo by dojít k poškození nože a ohnutí hřídele motoru. Ohnutý hřídel způsobuje velké vibrace a hrozí velmi vysoké riziko uvolnění nože.
- Pokud nůž narazí do nějakého předmětu nebo se objeví vibrace, okamžitě zastavte výrobek. Odpojte kabel zapalování od zapalovací svíčky. Zkontrolujte, zda není výrobek poškozený. Opravte poškozené díly nebo svěťte opravu schválenému servisnímu pracovníkovi.
- Po nastartování motoru nikdy nepřipevňujte páku brzd motoru trvale k rukojeti sekačky.
- Umístěte výrobek na stabilní, rovný povrch a nastartujte jej. Zkontrolujte, zda nůž nemůže přijít do kontaktu se zemí nebo cizími objekty.
- Při provozu vždy stůjte za výrobkem.
- Při provozu nechte všechna kola spočívat na zemi a držte rukojeť oběma rukama. Ruce a nohy udržujte mimo dosah rotujících nožů.
- Nenaklánejte výrobek, když je spuštěný motor.
- Dávejte pozor při tažení výrobku dozadu.
- Nikdy nezvedejte výrobek, když je spuštěný motor. Pokud musíte výrobek zvednout, nejprve vypněte

motor a odpojte kabel zapalování od zapalovací svíčky.

- Při provozování výrobku nechodte směrem dozadu.
- Před přejezdem ploch bez trávy, jako jsou cesty vytvořené ze štěrku, kamenů nebo asfaltu, vypněte motor.
- Neběhejte s výrobkem, když je spuštěný motor. Při provozu výrobku vždy pouze chodte.
- Před změnou výšky sečení vypněte motor. Nikdy neprovádějte seřizování při spuštěném motoru.
- Nikdy nenechte výrobek se spuštěným motorem bez dozoru. Vypněte motor a ujistěte se, že se žací ústrojí neotáčí.

## Bezpečnostní pokyny pro provoz

### Osobní ochranné prostředky



**VÝSTRAHA:** Před použitím výrobku si přečtěte následující varování.

- Osobní ochranné prostředky nemohou zcela eliminovat nebezpečí úrazu, ale v případě nehody pomáhají snížit míru poranění. Požádejte prodejce, aby vám pomohl vybrat správné vybavení.
- Používejte ochranu sluchu, pokud je hladina hluku vyšší než 85 dB.
- Používejte odolnou obuv s protiskluzovou podrážkou. Nepoužívejte otevřenou obuv ani neppracujte naboso.
- Používejte silné, dlouhé kalhoty.
- Při určitých činnostech používejte ochranné rukavice, například při nasazování, prohlídce nebo čištění žacího ústrojí.

### Bezpečnostní zařízení na produktu



**VÝSTRAHA:** Před použitím výrobku si přečtěte následující varování.

- Nepoužívejte výrobek s poškozenými bezpečnostními zařízeními nebo se zařízeními, která nefungují správně.
- Pravidelně kontrolujte bezpečnostní zařízení. Pokud jsou bezpečnostní zařízení poškozená nebo nefungují správně, obraťte se na servis Husqvarna.
- Neprovádějte úpravy bezpečnostních zařízení.

### Kontrola krytu žacího ústrojí

Kryt žacího ústrojí snižuje vibrace výrobku a snižuje nebezpečí poranění nožem.

- Zkontrolujte kryt žacího ústrojí, aby bylo zajištěno, že nevykazuje známky poškození, např. praskliny.

## Kontrola rukojeti brzdy motoru

Páka brzdy motoru slouží k zastavení motoru. Když uvolníte páku brzdy motoru, motor se zastaví.

- Nastartujte motor a poté uvolněte rukojeť brzdy motoru. Pokud se motor nevypne během 3 sekund, požádejte schváleného servisního pracovníka Husqvarna o seřízení brzdy motoru. (Obr. 16)

## Tlumič výfuku

Tlumič výfuku je určen k omezení úrovně hluku na minimum a k usměrnění výfukových plynů směrem od obsluhy.

Nepoužívejte výrobek bez tlumiče výfuku nebo s poškozeným tlumičem. Poškozený tlumič zvyšuje úroveň hluku a nebezpečí požáru.



**VÝSTRAHA:** Tlumič výfuku je během provozu a po použití velmi horký, i když motor pracuje na volnoběžné otáčky. Aby se zabránilo požáru, dbejte zvýšené opatrnosti v blízkosti hořlavých materiálů a plynů.

## Bezpečnost při manipulaci s palivem



**VÝSTRAHA:** Před použitím výrobku si přečtěte následující varování.

- Pokud je na výrobku palivo nebo olej, nespouštějte ho. Nechtěné palivo/olej z výrobku odstraňte a nechte výrobek uschnout.
- Pokud si palivem polijete oblečení, okamžitě se převlékněte.
- Zabraňte styku paliva s tělem, může způsobit zranění. Pokud se polijete palivem, omyjte zasažené místo vodou a mýdlem.
- Nepouštějte motor, pokud z něj něco uniká. Pravidelně kontrolujte, jestli z motoru nic neuniká.
- Při manipulaci s palivem buďte opatrní. Palivo je hořlavé a výpary jsou výbušné a mohou způsobit vážné nebo smrtelné zranění.
- Nevdechujte palivové výpary, mohou způsobit zranění. Zajistěte dostatečný průtok vzduchu.
- V blízkosti paliva ani motoru nekuřte.
- Do blízkosti paliva ani motoru neumísťujte horké předměty.
- Nedoplňujte palivo, když je motor zapnutý.
- Než začnete doplňovat palivo, přesvědčte se, že je motor studený.

- Než doplníte palivo, pomalu otevřete uzávěr palivové nádrže a opatrně uvolněte tlak.
- Palivo do motoru nedoplňujte ve vnitřních prostorech. Nedostatečné proudění vzduchu může způsobit zranění nebo smrt udušením nebo otravou oxidem uhelnatým.
- Pevně dotáhněte víčko palivové nádrže. Není-li víčko palivové nádrže dotažené, hrozí nebezpečí požáru.
- Než výrobek spustíte, přejděte s ním minimálně 3 metry od místa, kde jste doplňovali palivo.
- Nenaplňujte palivovou nádrž na maximum. Teplem dochází k rozpínání paliva. V horní části palivové nádrže ponechte volný prostor.
- Výrobek s palivem v palivové nádrži nikdy neskladujte uvnitř budovy, ve které jsou zdroje zapálení, jako jsou horkovodní a sálavá topná tělesa nebo sušičky prádla. Před skladováním v uzavřeném prostoru nechte motor vychladnout.

## Bezpečnostní pokyny pro údržbu



**VÝSTRAHA:** Před použitím výrobku si přečtěte následující varování.

- Výfukové plyny obsahují oxid uhelnatý, jedovatý a velmi nebezpečný plyn bez zápachu. Nenechávejte motor spuštěný ve vnitřních nebo uzavřených prostorech.
- Před prováděním údržby výrobku nejprve vypněte motor a odpojte kabel zapalování od zapalovací svíčky.
- Při provádění údržby žacího ústrojí používejte ochranné rukavice. Nůž je velmi ostrý a může snadno dojít k pořežení.
- Příslušenství a změny výrobku, které neschválí výrobce, mohou způsobit vážné zranění nebo úmrtí. Neprovádějte změny na výrobku. Vždy používejte výhradně příslušenství schválené výrobcem.
- Při nesprávném nebo nepravdělném provádění údržby se zvyšuje nebezpečí poranění a poškození výrobku.
- Provádějte pouze údržbu uvedenou v tomto návodu k používání. Veškerý ostatní servis musí provést schválený servisní pracovník Husqvarna.
- Servis výrobku by měl provádět schválený servisní pracovník Husqvarna v pravidelných intervalech.
- Poškozené, opotřebené či prasklé součásti vyměňte.

## Montáž

### Montáž rukojeti

1. Prostrčte šroub (A) rukojeti (B), plastovou podložkou (C) a podpůrným držákem rukojeti (D). (Obr. 17)

2. Zcela utáhněte matici (E).
3. Prostrčte šroub (F) podložkou (G) a podpůrným držákem rukojeti.
4. Zcela dotáhněte knoflík (H).

5. Díry v rukojeti i v její dolní části zarovnejte a připevněte šrouby, podložky a knoflíky. Knoflíky řádně utáhněte. (Obr. 18)
6. Připojte kabely k řídkům pomocí držáků kabelů. (Obr. 19)

---

**Povšimněte si:** Zkontrolujte, zda není napnutí lanek příliš velké. Pokud je kabel příliš napnutý, může při složení řídiček do přepravní polohy dojít k jeho poškození.

---

7. Zahákněte kabely za háček v dolní části řídiček. (Obr. 20)

## Nastavení výšky rukojeti

1. Povolte spodní matice. (Obr. 21)
2. Odmontujte knoflík, podložku a šroub na pravé a levé straně.
3. Rukojeť lze nastavit do dvou různých výšek. Vložte šroub do jednoho ze dvou otvorů na pravé a levé straně. (Obr. 22)
4. Připevněte šrouby, podložky a knoflíky.
5. Posuňte knoflíky směrem k rukojeti, dokud se nezastaví a neuslyšíte cvaknutí. Knoflíky řádně utáhněte. (Obr. 23)

## Nastavení produktu do přepravní polohy

1. Sundejte koš na trávu.

2. Povolte knoflíky na horní rukojeti a sklopte řídky dolů. (Obr. 24)
3. Povolte spodní matice.
4. Posuňte knoflíky na spodní konec drážek na pravé i na levé straně výrobku. (Obr. 25)
5. Sklopte rukojeť dopředu. (Obr. 26)

## Nastavení výrobku do provozní polohy

1. Zvedněte řídky, dokud spodní rukojeť nezapadne do provozní polohy. (Obr. 27)
2. Posuňte knoflíky směrem k rukojeti, dokud se nezastaví a neuslyšíte cvaknutí.
3. Knoflíky řádně utáhněte. (Obr. 28)
4. Zvedněte horní část řídiček.
5. Knoflíky řádně utáhněte. (Obr. 29)

## Montáž koše na trávu

1. Vložte horní část koše na trávu do dolní části koše na trávu. (Obr. 30)
2. Připevněte koš na trávu pomocí svorek. (Obr. 31)
3. Zvedněte zadní kryt.
4. Upevněte háčky na koši na trávu k hornímu okraji podvozku. (Obr. 32)
5. Umístěte dolní část koše na trávu do kanálu výhozu trávy.

---

# Provoz

---

## Úvod



**VÝSTRAHA:** Před používáním produktu je třeba, abyste si přečetli a porozuměli kapitole o bezpečnosti.

## Husqvarna Connect

Husqvarna Connect je bezplatná aplikace pro mobilní zařízení. Aplikace Husqvarna Connect dodá vašemu výrobku Husqvarna doplňkové funkce:

- Rozšířené informace o výrobku.
- Informace o dílech a servisu a nápověda pro tyto položky.

## Jak začít používat aplikaci Husqvarna Connect

1. Stáhněte si aplikaci Husqvarna Connect do svého mobilního zařízení.
2. V aplikaci Husqvarna Connect se zaregistrujte.
3. Při připojování a registraci výrobku postupujte podle pokynů v aplikaci Husqvarna Connect.

## Před použitím výrobku

1. Pozorně si prostudujte tento návod k používání a nepoužívejte výrobek, pokud návodu zcela nerozumíte.
2. Zkontrolujte žací ústrojí, aby bylo zajištěno, že je řádně připevněné a nastavené. Viz *Kontrola žacího ústrojí na strani 42*.
3. Naplňte palivovou nádrž. Viz *Doplňování paliva na strani 40*.
4. Doplňte olej do olejové nádrže a zkontrolujte hladinu oleje. Viz *Kontrola hladiny oleje na strani 43*.

## Doplňování paliva

Pokud možno používejte alkylátové palivo nebo benzín s nízkými emisemi. Není-li k dostání alkylátové palivo nebo benzín s nízkými emisemi, používejte kvalitní bezolovnatý benzín nebo olovnatý benzín s oktanovým číslem nejméně 91.



**VAROVÁNÍ:** Nepoužívejte benzín s oktanovým číslem nižším než 91 RON. Můžete tím výrobek poškodit.





**VAROVÁNÍ:** Palivový filtr vyměňujte jednou ročně nebo častěji v případě potřeby. Nový palivový filtr získáte u prodejce Husqvarna.



**VAROVÁNÍ:** Před doplněním paliva vždy vypněte motor.



**VAROVÁNÍ:** Nepoužívejte startovací kapaliny pod tlakem.

1. Víčko palivové nádrže otevírejte pomalu, aby se uvolnil tlak.
2. Palivo doplňte pomalu z kanystru. Dojde-li k rozlítí paliva, otřete jej utěrkou a zbývající palivo nechte vypařit. (Obr. 33)
3. Očistěte plochu kolem víčka palivové nádrže.
4. Pevně dotáhněte víčko palivové nádrže. Není-li víčko palivové nádrže dotažené, hrozí nebezpečí požáru.
5. Než výrobek spustíte, přejděte s ním minimálně 3 metry od místa, kde jste doplňovali palivo.

## Nastavení výšky sečení

1. Chcete-li zvýšit výšku sečení, posuňte páku pro nastavení výšky sečení dozadu.
2. Posunem páky pro nastavení výšky sečení dopředu výšku sečení snížíte. (Obr. 34)



**VAROVÁNÍ:** Nenastavujte výšku sečení příliš nízko. V případě, že není povrch trávníku rovný, mohou nože přijít do styku se zemí.

## Spuštění výrobku

1. Zkontrolujte, zda je kabel zapalování připojený k zapalovací svíčke.

## Údržba

### Úvod



**VÝSTRAHA:** Před prováděním údržby je třeba, abyste si přečetli kapitolu o bezpečnosti a porozuměli jí.

Pro servis a opravy výrobku je nezbytné speciální školení. Garantujeme dostupnost profesionálních oprav a servisu. Pokud prodejce neposkytuje servisní služby, požádejte jej o informace o nejbližším servisu.

Podrobnější informace jsou uvedeny v části .

2. Postavte se za výrobek.
3. Držte páku motorové brzdy přitisknutou k rukojeti sekačky. (Obr. 35)
4. Uchopte rukojeť startovací šňůry pravou rukou.
5. Pomalu vytáhněte startovací šňůru, dokud neucítíte odpor.
6. Nastartujte motor silným zatáhnutím za šňůru.



**VÝSTRAHA:** Nikdy si neomotávejte startovací šňůru kolem ruky.

## Použití pohonu kol

- Zatlačte páku pojezdu směrem k rukojeti. (Obr. 36)
- V blízkosti překážek uvolněte páku pojezdu, aby se deaktivoval pohon.
- Pokud chcete táhnout výrobek dozadu, odpojte pohon a zatlačte výrobek dopředu přibližně 10 cm.

## Zastavení výrobku

- Chcete-li zastavit pojezd, uvolněte páku pojezdu.
- Motor zastavíte uvolněním páky brzdy motoru.

## Jak docílit dobrých výsledků

- Používejte vždy ostrý nůž. Při použití tupého nože je stříh nepravidelný a posečený povrch trávy žlutne. Ostrý nůž také vyžaduje méně energie než tupý nůž.
- Nesekejte více než 1/3 výšky trávy. Nejprve sekejte se žacími ústrojí nastaveným vysoko. Zkontrolujte výsledek a případně snižte výšku sečení na požadovanou úroveň. Pokud je tráva velmi vysoká, jezděte pomalu a v případě potřeby sekejte 2krát.
- Sekejte vždy v jiném směru, aby na trávníku nevznikly pruhy.
- Udržujte kryt žacího ústrojí čistý. Nahromaděná tráva a nečistoty na vnitřní straně krytu žacího ústrojí mohou snížit výsledek sečení. Další informace jsou uvedeny v části *Čištění vnitřního povrchu krytu žacího ústrojí na strani 42.*

## Plán údržby



**VAROVÁNÍ:** Když nakláníte výrobek, ujistěte se, že vzduchový filtr je na horní straně a ne vespod. Hrozí poškození motoru.

Intervaly údržby se vypočítávají na základě každodenního používání výrobku. Intervaly se mění, není-li výrobek používán denně.

U údržby označené symbolem \* vyhledejte pokyny v části *Bezpečnostní zařízení na produktu na strani 38.*

Údržba	Denně	Měsíčně	Každou sezónu
Proveďte běžnou kontrolu.	X		
Zkontrolujte hladinu oleje.	X		
Vyměňte olej (poprvé po 5 h používání, poté po každých 50 h používání). <sup>15</sup>			X
Vyčistěte výrobek.	X		
Zkontrolujte žací ústrojí.	X		
Zkontrolujte kryt žacího ústrojí.*	X		
Zkontrolujte páku brzdý motoru.*	X		
Zkontrolujte tlumič výfuku.*		X	
Zkontrolujte zapalovací svíčku. V případě potřeby zapalovací svíčku očistěte nebo vyměňte.			X
Zkontrolujte vzduchový filtr.	X		
Vyčistěte vzduchový filtr. <sup>16</sup>		X	
Vyměňte vzduchový filtr.			X
Zkontrolujte palivový systém.			X
Vyčistěte chladicí žebra válce.		X	
Zkontrolujte a seřídte lanko spojky (LC 140SP).			X

## Provedení běžné kontroly

- Zajistěte, aby byly všechny matice a šrouby na výrobku správně dotaženy.

## Čištění výrobku zvnějšku

- Pomocí kartáče odstraňte listí, trávu a nečistoty.
- Zkontrolujte, zda není přívod vzduchu v horní části motoru ucpaný.
- K čištění produktu nepoužívejte vodu pod vysokým tlakem.
- Pokud používáte vodu k čištění motoru, nestříkejte ji přímo na motor.

## Čištění vnitřního povrchu krytu žacího ústrojí

1. Vyprázdňte palivovou nádrž.
2. Nakloňte výrobek. Zkontrolujte, zda zapalovací svíčka směřuje vzhůru.



**VAROVÁNÍ:** Pokud byste položili výrobek se vzduchovým filtrem dole, mohl by se poškodit motor.

3. Opláchněte vodu z hadice vnitřní povrch krytu žacího ústrojí.

## Kontrola žacího ústrojí



**VÝSTRAHA:** Aby se zabránilo náhodnému spuštění, odpojte kabel zapalování od zapalovací svíčky.



**VÝSTRAHA:** Při provádění údržby žacího ústrojí používejte ochranné rukavice. Nůž je velmi ostrý a může snadno dojít k porážení.

1. Zkontrolujte žací ústrojí ohledně poškození a prasklin. Poškozené žací ústrojí vždy vyměňte.
2. Prohlédněte nůž a zkontrolujte, zda není poškozený nebo tupý.

<sup>15</sup> Pokud je výrobek provozován s vysokým zatížením nebo při vysokých okolních teplotách, vyměňujte motorový olej každých 25 hodin.

<sup>16</sup> V prašných podmínkách nebo při výskytu nečistot přenášených vzduchem provádějte čištění častěji. Pokud je vzduchový filtr silně znečištěný, vyměňte jej.

**Povšimněte si:** Po ostření je nezbytné nůž vyvážít. Výměnu, ostření a vyvážení nože svěťte servisnímu středisku. Dojde-li k nárazu do překážky, po kterém dochází k vypínání výrobku, vyměňte poškozený nůž. O tom, zda je možné nůž nabrousit či zda je nutné ho vyměnit, rozhodne servisní středisko.

## Postup výměny nože

1. Zajistěte nůž pomocí dřevěného špalíku. (Obr. 37)
2. Demontujte šroub nože a pružnou podložku.
3. Demontujte nůž.
4. Prohlédněte držák nože a šroub nože a zkontrolujte, zda nejsou poškozené.
5. Prohlédněte hřídel motoru a ujistěte se, zda není ohnutý.
6. Při montáži nového nože nasměrujte zahnuté konce nože ve směru krytu žacího ústrojí. (Obr. 38)
7. Zkontrolujte, zda je nůž zarovnaný se středem hřídele motoru.
8. Zajistěte nůž pomocí dřevěného špalíku. Nasaďte pružnou podložku a utáhněte šroub a podložku utahovacím momentem 45–60 Nm. (Obr. 39)
9. Otočte nožem rukou a zkontrolujte, zda se volně otáčí.



**VÝSTRAHA:** Používejte odolné rukavice. Nůž je velmi ostrý a může snadno dojít k požezání.

10. Nastartujte výrobek a proveďte test nože. Pokud není nůž správně připevněn, výrobek vibruje a výsledky sečení nejsou uspokojivé.

## Kontrola hladiny oleje



**VAROVÁNÍ:** Příliš nízká hladina oleje může způsobit poškození motoru. Před spuštěním výrobku zkontrolujte hladinu oleje.

1. Umístěte výrobek na rovnou plochu.
2. Sejměte víčko olejové nádrže s olejovou měrkou.
3. Setřete olej z olejové měrky.
4. Zasuňte měrku až na doraz do olejové nádrže a zkontrolujte hladinu oleje. Nepřipevňujte víčko olejové nádrže.
5. Sejměte víčko olejové nádrže s olejovou měrkou.
6. Zkontrolujte hladinu oleje na olejové měrce.
7. Pokud je hladina nízká, doplňte motorový olej a znovu zkontrolujte hladinu oleje. (Obr. 40)

**Povšimněte si:** Použijte trychtýř, aby nedošlo k rozliti.

8. Když je hladina oleje správná, nasaďte víčko olejové nádrže.

## Výměna motorového oleje



**VÝSTRAHA:** Motorový olej je bezprostředně po vypnutí motoru velmi horký. Před vypuštěním nechte motorový olej vychladnout. Pokud si potřísníte pokožku motorovým olejem, omyjte ji mýdlem a vodou.

(Obr. 41)

1. Nechte výrobek běžet, dokud nebude palivová nádrž prázdná.
2. Odmontujte kabel zapalování od zapalovací svíčky.
3. Sejměte víčko olejové nádrže s olejovou měrkou.
4. Umístěte nádobu pod výrobek tak, aby do něj mohl vytéct motorový olej.
5. Nakloňte výrobek nebo vypusťte motorový olej z olejové nádrže pomocí olejového čerpadla (příslušenství).
6. Doplňte nový motorový olej typu doporučeného v části *Technické údaje na strani 46*.
7. Zkontrolujte hladinu oleje. Další informace jsou uvedeny v části *Kontrola hladiny oleje na strani 43*.
8. Když je hladina oleje správná, nasaďte víčko olejové nádrže.

## Čištění pěnového plastového filtru



**VAROVÁNÍ:** Nestartujte motor bez vzduchových filtrů. Opořebení motoru se zvýší, pokud je vzduch znečištěný.

1. Demontujte kryt vzduchového filtru (A). (Obr. 42)
2. Vyjměte filtry z pěnové umělé hmoty (B).



**VAROVÁNÍ:** Zkontrolujte pěnové plastové filtry, zda nejsou poškozené nebo opotřebené. Vyměňte všechny poškozené pěnové plastové filtry.

3. Vyčistěte pěnové plastové filtry mýdlem a vodou.
4. Opláchněte pěnové plastové filtry čistou vodou.
5. Vymačkejte vodu z pěnových plastových filtrů a nechte je vyschnout.



**VAROVÁNÍ:** Nepoužívejte stlačený vzduch. Mohl by poškodit pěnový plastový filtr.

6. Promažte pěnové plastové filtry motorovým olejem.
7. Zatlačte čistou utěrku na pěnový plastový filtr, aby se odstranil nadbytečný olej.

- Namontujte pěnové plastové filtry. Zkontrolujte, zda pěnové plastové filtry dokonale přiléhají k držáku vzduchového filtru.
- Namontujte kryt vzduchového filtru.

## Kontrola zapalovací svíčky



**VAROVÁNÍ:** Vždy používejte doporučený typ zapalovacích svíček. Nesprávný typ zapalovací svíčky může způsobit poškození výrobku.

- Zkontrolujte zapalovací svíčku, pokud má motor malý výkon, špatně startuje nebo nefunguje správně ve volnoběžných otáčkách.
- Aby se snížilo nebezpečí přítomnosti nechtěných materiálů na elektrodách zapalovací svíčky, dodržujte tyto pokyny:
  - Zkontrolujte, zda jsou správně nastaveny volnoběžné otáčky.
  - Zkontrolujte správnost palivové směsi.
  - Zkontrolujte, zda je vzduchový filtr čistý.
- Jestliže je zapalovací svíčka znečištěná, vyčistěte ji a zkontrolujte, zda je elektrodová vzdálenost zapalovací svíčky správná, viz část *Technické údaje na straně 46*. (Obr. 43)
- V případě potřeby zapalovací svíčku vyměňte.

## Kontrola palivového systému

- Prohlédněte víčko palivové nádrže a těsnění víčka a ujistěte se, že nejsou poškozené.
- Prohlédněte hadici přívodu paliva a ujistěte se, že nedochází k úniku. Pokud je hadice přívodu paliva poškozená, požádejte servisního pracovníka o výměnu.

## Vypuštění palivové nádrže

- Pod palivovou nádrž umístěte nádobu.
- Odšroubujte víčko palivové nádrže.
- Zatlačte na hadicové svorky na hadici přívodu paliva proti karburátoru.

- Demontujte hadice přívodu paliva od karburátoru.
- Vložte hadici palivové nádrže do nádoby a odstraňte hadicové svorky.
- Nakloňte výrobek a nechte palivo vytéct do nádoby.

## Výměna palivového filtru



**VÝSTRAHA:** Používejte ochranné rukavice.

- Vypusťte palivovou nádrž.
- Sejměte hadicovou sponu z palivové nádrže. (Obr. 44)
- Demontujte hadici přívodu paliva z palivové nádrže. Může uniknout malé množství paliva. (Obr. 45)
- Demontujte palivový filtr z palivové nádrže. (Obr. 46)
- Vložte do palivové nádrže nový palivový filtr.
- Připevněte hadici přívodu paliva k palivové nádrži.
- Připevněte hadicovou sponu k palivové nádrži.

## Seřízení lanka spojky ((LC 140SP))

V následujících situacích je nutné zkrátit lanko spojky:

- Pohon kol se po zatažení páky pojezdu nebo páky ovládání rychlosti neaktivuje.
- Výrobek se při aktivaci pohonu kol pohybuje pomalu.

V následujících situacích je nutné prodloužit lanko spojky:

- Výrobek se pohybuje, když není pohon kol aktivní.
- Seřídte lanko spojky.
  - Pokud chcete zkrátit lanko spojky, otočte seřizovacím šroubem proti směru hodinových ručiček.
  - Pokud chcete prodloužit lanko spojky, otočte seřizovacím šroubem po směru hodinových ručiček. (Obr. 47)

Pokud je pojezd výrobku i po seřízení nevyhovující, kontaktujte autorizovaný servis.

## Odstraňování problémů s motorem

Problém	Možná příčina	Řešení
Motor nespouští.	Kabel zapalování není správně připojen.	Připojte kabel zapalování k zapalovací svíčke.
	Palivová nádrž je prázdná.	Doplňte do palivové nádrže palivo správného typu.
	Palivo je staré.	Vyprázdněte palivovou nádrž a karburátor. Doplňte nový benzín.
	V karburátoru nebo vedení paliva jsou nečistoty.	Vyčistěte karburátor nebo vedení paliva.
	Zapalovací svíčka je poškozená.	Upravte vzdálenost elektrod a vyčistěte nebo vyměňte svíčku.
	Na zapalovací svíčke je palivo.	Vyčistěte zapalovací svíčku.
Motor se nezastaví.	Mechanismus zastavení nefunguje správně.	Odpojte kabel zapalování od zapalovací svíčky. Opravu tohoto výrobku světe schválenému servisu.
Motor neběží plynule.	Kabel zapalování není správně připojen.	Připojte kabel zapalování k zapalovací svíčke.
	Ve vedení paliva jsou nečistoty nebo je palivo příliš staré.	Vyčistěte vedení paliva. Doplňte do palivové nádrže nové palivo správného typu.
	Víčko palivové nádrže je zablokované.	Očistěte víčko palivové nádrže.
	V palivovém systému je voda nebo nečistoty.	Vypusťte palivovou nádrž. Doplňte do palivové nádrže nové palivo správného typu.
	Vzduchový filtr je znečištěný.	Vyčistěte vzduchový filtr.
	Karburátor je nutné seřídit.	Nechte karburátor seřídit u servisního prodejce.
Teplota motoru je příliš vysoká.	Příliš nízká hladina motorového oleje.	Doplňte motorový olej.
	Proudění vzduchu není dostatečné.	Vyčistěte vzduchový filtr a kryt vzduchového filtru.
	Karburátor je nutné seřídit.	Nechte karburátor seřídit u servisního prodejce.
Při vysokých otáčkách motor vynechává.	Vzdálenost elektrod v zapalovací svíčke je příliš malá.	Seříďte vzdálenost elektrod.
Neobvyklé zvuky z motoru při normálním zatížení.	Nesprávný typ benzínu.	Vyprázdněte palivovou nádrž a karburátor. Doplňte nový benzín. Viz část <i>Doplňování paliva na straně 40</i> . Pokud potíže přetrvávají, obraťte se na místní servis.

Problém	Možná příčina	Řešení
Motor nefunguje plynule ve volnoběžných otáčkách.	Zapalovací svíčka je znečištěná, poškozená nebo elektrodová vzdálenost je příliš velká.	Upravte vzdálenost elektrod nebo vyměňte svíčku.
	Karburátor je nutné seřídit.	Seříďte karburátor.
	Vzduchový filtr je znečištěný.	Vyčistěte vzduchový filtr.

## Přeprava, skladování a likvidace

### Přeprava a skladování

- Před uskladněním a přepravou výrobku či paliva zkontrolujte, zda nejsou přítomny známky úniku nebo výparů. Jiskry a otevřený oheň, například z elektrických zařízení nebo kotlů, mohou zažehnout požár.
- Vždy používejte schválené nádoby na skladování a přepravu paliva.
- Před dlouhodobým skladováním výrobku vyprázdněte palivovou nádrž. Odevzdejte palivo na příslušném sběrném místě
- Během přepravy musí být výrobek bezpečně upevněný, aby se zabránilo jeho poškození a nehodám.

- Skladujte výrobek na uzamčeném místě, aby se zamezilo přístupům dětí a neoprávněných osob.
- Uchovávejte výrobek na suchém a bezprašném místě.

### Likvidace

- Dodržujte místní požadavky ohledně recyklace a platné předpisy.
- Odevzdejte všechny chemikálie, například motorový olej nebo palivo, v servisním středisku nebo na příslušném sběrném místě.
- Nehodláte-li výrobek dále používat, odešlete jej prodejci Husqvarna nebo jej dopravte do recyklační stanice.

## Technické údaje

### Technické údaje

	LC 140P	LC 140SP
<b>Motor</b>		
Značka	Husqvarna	Husqvarna
Název modelu motoru	HS 123A	HS 123A
Typ motoru	Jednoválcový, čtyřdobý, nucené chlazení vzduchem, rozvod OHV	Jednoválcový, čtyřdobý, nucené chlazení vzduchem, rozvod OHV
Zdvihový objem, cm <sup>3</sup>	123	123
Rychlost, ot/min	3 000	3 000
Jmenovitý výkon motoru, kW <sup>17</sup>	1,95	1,95
<b>Systém zapalování</b>		
Zapalovací svíčka	Husqvarna HQT-7	Husqvarna HQT-7

<sup>17</sup> Uvedený jmenovitý výkon motoru je průměrný čistý výkon (při specifikovaných ot/min) typického motoru pro model motoru měřený podle normy SAE J1349/ISO1585. Sériově vyráběné motory se od této hodnoty mohou lišit. Skutečný výstupní výkon motoru instalovaného na konečném výrobku závisí na provozních otáčkách, povětrnostních podmínkách a dalších hodnotách.

	LC 140P	LC 140SP
Elektrodová vzdálenost, mm	0,7–0,8	0,7–0,8
<b>Systém mazání a palivový systém</b>		
Typ mazání motoru	Rozstříkovací	Rozstříkovací
Objem palivové nádrže, l	0,9	0,9
Objem olejové nádrže, l	0,5	0,5
Motorový olej <sup>18</sup>	Husqvarna SAE 30, Husqvarna SAE 5W-30 Synthetic, Husqvarna SAE 10W-40	Husqvarna SAE 30, Husqvarna SAE 5W-30 Synthetic, Husqvarna SAE 10W-40
<b>Hmotnost</b>		
S prázdnými nádržemi, kg	25,2	26,8
<b>Emise hluku<sup>19</sup></b>		
Hladina akustického výkonu, změřená, dB (A)	93	93
Hladina akustického výkonu, zaručená, L <sub>WA</sub> dB(A)	94	94
<b>Hladiny hluku<sup>20</sup></b>		
Hladina akustického tlaku na sluch obsluhy, dB(A)	82	82
<b>Úrovně vibrací<sup>21</sup></b>		
Vibrace řídítek, m/s <sup>2</sup>	5,6	7,6
<b>Žací ústrojí</b>		
Výška sečení, mm	25–75	25–75
Šířka sečení, mm	400	400
Žací systém	Sběr / zadní výhoz	Sběr / zadní výhoz
Nože – standardní	Sběr 5873863-10	Sběr 5873863-10
Kapacita koše na trávu, litry	50	50
<b>Pohon</b>		
Rychlost vlastního pojezdu, km/h	–	4

<sup>18</sup> Použijte pouze motorový olej kvality API SJ nebo vyšší. Pokud použijete olej SAE-30 při teplotě nižší než +5 °C, hrozí nebezpečí nedostatečného promazání motoru. Může dojít k poškození motoru. Správný olej pro nízké teploty najdete v části *Výměna motorového oleje na straně 43*. Podívejte se do tabulky viskozity v návodu k motoru (pokud je k dispozici) a vyberte nejlepší viskozitu podle předpokládané venkovní teploty.

<sup>19</sup> Emise hluku do okolního prostředí měřené jako akustický výkon (L<sub>WA</sub>) v souladu se směrnicí 2000/14/ES.

<sup>20</sup> Uváděná data pro hladinu tlaku zvuku mají typickou statistickou odchylku (standardní odchylku) 1,2 dB (A).

<sup>21</sup> Uváděná data o úrovni vibrací mají typickou statistickou odchylku (standardní odchylku) 0,2 m/s<sup>2</sup>.

# Prohlášení o shodě

## Prohlášení o shodě EU

Společnost **Husqvarna AB**, SE-561 82 Huskvarna,  
Švédsko, tel.: +46-36-146500, na svou výhradní  
odpovědnost prohlašuje, že výrobek:

<b>Popis</b>	Sekačka na trávu
<b>Značka</b>	Husqvarna
<b>Typ/Model</b>	LC 140P, LC 140SP
<b>Identifikace</b>	Výrobní čísla od roku 2022 a dále

je zcela ve shodě s následujícími směrnicemi a předpisy  
EU:

<b>Nařízení</b>	<b>Popis</b>
2006/42/ES	„o strojních zařízeních“
2014/30/EU	„o elektromagnetické kompatibilitě“
2000/14/ES	„týkající se emisí hluku do okolního prostředí“
2011/65/EU	„o omezení používání některých nebezpečných látek v elektrických a elektronických zařízeních“

a že byly použity následující normy nebo technické  
specifikace: EN ISO 5395-1:2013/A1:2018, EN ISO  
5395-2:2013/A1:2016/A2:2017, EN ISO 14982:2009, EN  
IEC 63000:2018

Oznámený subjekt: 0404, RISE SMP Svensk  
Maskinprovning AB, Box 4053, SE-904 03 Umeå,  
Sweden obdržel osvědčení o shodě se směrnicí rady  
2000/14/ES, postup posouzení shody: Dodatek VI.

Informace o emisích hluku najdete v části *Technické  
údaje na strani 46*.

Huskvarna, 2022-09-27



Claes Losdal, ředitel vývoje zahradního sortimentu,  
Husqvarna AB

Osoba odpovědná za technickou dokumentaci





---

## Indhold

---

Indledning.....	49	Fejlfinding af motor.....	58
Sikkerhed.....	50	Transport, opbevaring og bortskaffelse.....	59
Montering.....	52	Tekniske data.....	59
Drift.....	53	Overensstemmelseserklæring.....	61
Vedligeholdelse.....	54		

---

## Indledning

---

### Produktbeskrivelse

Produktet er en roterende plæneklipper med gående fører. Græsset opsamles i en græsopsamler. Fjern græsopsamleren for at få bagudkast af græsset.

### Produktoversigt

(Fig. 1)

1. Håndtag / styrestang
2. Bøjle til fremtræk (LC 140SP)
3. Startsnorens håndgreb
4. Græsopsamler
5. Brændstoftank
6. Luftfilter
7. Tændrør
8. Klippeskjold
9. Lyddæmper
10. Olietankdæksel
11. Klippehøjdehåndtag
12. Bageste dæksel
13. Motorbremsehåndtag
14. Symboler
15. Nederste håndtagsenhed
16. Nederste håndtag
17. Brugsanvisning
18. Olietrug

### Symboler på produktet

- (Fig. 2)      **ADVARSEL!** Vær forsigtig, og brug produktet korrekt. Dette produkt kan forårsage alvorlig personskade eller død for brugeren eller andre.
- (Fig. 3)      Læs brugervejledningen omhyggeligt igennem, og sørg for at have forstået instruktionerne, inden du bruger produktet.
- (Fig. 4)      Pas på udslyngede genstande og rikolettering.
- (Fig. 5)      Hold uvedkommende personer og dyr på sikker afstand af arbejdsstedet.

### Anvendelsesformål

Brug produktet til at slå græs. Brug ikke produktet til andre opgaver.

- (Fig. 6)      Advarsel: Hold hænder og fødder på sikker afstand af den roterende kniv.
- (Fig. 7)      Advarsel: Hold hænder og fødder på sikker afstand af bevægelige dele.
- (Fig. 8)      Stands motoren, og fjern tændingskablet, før der udføres reparationer eller vedligeholdelsesarbejde.
- (Fig. 9)      Dette produkt er i overensstemmelse med gældende EF-direktiver.
- (Fig. 10)      Mærkat vedrørende emission af støj til omgivelserne i henhold til direktiver og regulativer i EU og Storbritannien og New South Wales' lovgivning om "Beskyttelse af miljøet (støjbegrensning) forordning 2017". Produktets garanterede lydeffektniveau er angivet i *Tekniske data på side 59* og på mærkaten.
- (Fig. 11)      Dette produkt er i overensstemmelse med gældende UK-bestemmelser.
- (Fig. 12)      Brandfare.
- (Fig. 13)      Indånd ikke udstødningssasser. Udstødningssasserne fra motoren indeholder kulilte, som er en lugtfri, giftig og meget farlig gasart. Undlad at starte motoren indendørs eller i lukkede rum.
- (Fig. 14)      Varm overflade.
- (Fig. 15)      Fyld motoren med olie, før du starter produktet.

---

**Bemærk:** Andre symboler/mærkater på produktet henviser til certificeringskrav i visse handelsområder.

---

## Euro V-emissioner



**ADVARSEL:** Ved manipulation af motoren bortfalder EU-typegodkendelsen af dette produkt.

---

## Skader på produktet

Vi er ikke ansvarlige for skader på vores produkt, hvis:

- produktet er forkert repareret.
- produktet er repareret med dele, der ikke er fra producenten eller ikke er godkendt af producenten
- produktet har tilbehør, der ikke er fra producenten eller ikke er godkendt af producenten.
- produktet ikke er repareret på et godkendt servicecenter eller af en godkendt myndighed.

---

## Sikkerhed

---

### Sikkerhedsdefinitioner

Advarsler, forholdsregler og bemærkninger bruges til at pege på særligt vigtige dele af brugsanvisningen.



**ADVARSEL:** Bruges, hvis føreren udsætter sig selv eller omkringstående personer for risiko for personskade eller dødsfald ved tilsidesættelse af instruktionerne i brugsanvisningen.

---



**BEMÆRK:** Bruges, hvis der er risiko for skader på produktet, andre materialer eller det omgivende område ved tilsidesættelse af instruktionerne i brugsanvisningen.

---

**Bemærk:** Bruges til at give yderligere oplysninger, der er nødvendige i en given situation.

---

### Generelle sikkerhedsinstruktioner



**ADVARSEL:** Læs følgende advarselsinstruktioner, inden du bruger produktet.

---

- Dette produkt er farligt, hvis det bruges forkert, eller hvis du ikke er forsigtig. Personskade eller dødsfald kan forekomme, hvis du ikke overholder sikkerhedsinstruktionerne.
- Dette produkt danner et elektromagnetisk felt under betjening. Dette felt kan i visse tilfælde påvirke aktive eller passive medicinske implantater. For at reducere risikoen for alvorlige eller døbringende kvæstelser anbefaler vi, at personer med medicinske implantater kontakter deres læge og producenten af det medicinske implantat, før de tager produktet i brug.
- Vær altid forsigtig, og brug din sunde fornuft. Hvis du ikke er sikker på, hvordan produktet betjenes en særlig situation: Stop, og kontakt Husqvarna-forhandleren, inden du fortsætter.
- Vær opmærksom på, at brugeren er ansvarlig for ulykker, der involverer andre personer eller disses ejendom.

- Hold produktet rent. Sørg for, at skilte og mærkater er tydeligt læsbare.
- Lad ikke en person bruge produktet, medmindre du er sikker på, at vedkommende har læst og forstået indholdet i denne brugervejledning.
- Lad ikke børn betjene produktet.
- Hold børn væk fra arbejdsområdet. En voksen skal være til stede hele tiden.
- Lad ikke en person uden kendskab til anvisningerne betjene produktet.
- Hold altid øje med personer med nedsat fysisk eller mental kapacitet, der bruger produktet. En voksen skal være til stede hele tiden.
- Brug ikke produktet, hvis du er træt, syg eller påvirket af alkohol, narkotika eller medicin. Det har en negativ virkning på synet, overblikket, koordinationssevnen og dømmekraften.
- Brug ikke et produkt, der er beskadiget eller ikke fungerer korrekt.
- Foretag ikke ændringer på produktet, og undlad at bruge det, hvis der er risiko for, at det er blevet ændret af andre.
- Foretag ikke ændringer i justeringen af motoromdrejningsstyringen.

### Sikkerhed i arbejdsområdet



**ADVARSEL:** Læs følgende advarselsinstruktioner, inden du bruger produktet.

---

- Fjern genstande såsom grene, kviste og sten fra arbejdsområdet, inden du bruger produktet.
- Genstande, som rammer skæreudstyret, kan udslynges og forårsage person- og tingskade. Hold omkringstående personer og dyr på sikker afstand af produktet.
- Undlad at bruge produktet i dårligt vejr, som f.eks. tåge, regn, hård vind, kraftig kulde og ved risiko for lynnedslag. Det kan være trættende at bruge produktet i dårligt vejr eller i fugtige eller våde områder. Dårligt vejr kan medføre farlige forhold, f.eks. glatte underlag.
- Pas på personer, genstande og situationer, som kan forhindre sikker brug af produktet.

- Pas på forhindringer som f.eks. rødder, sten, kviste, huller og grøfter. Langt græs kan skjule hindringer.
- Det kan være farligt at klippe græs på skrånninger. Brug ikke produktet på skrånninger, der hældes mere end 15°.
- Lad produktet køre på tværs af skrånninger. Køj ikke op og ned.
- Vær forsigtig, når du nærmer dig uoverskuelige hjørner og genstande, som blokerer for udsynet.

## Arbejdssikkerhed



**ADVARSEL:** Læs følgende advarselsinstruktioner, inden du bruger produktet.

- Brug kun produktet til græsslåning. Det er ikke tilladt at bruge det til andre opgaver.
- Bær personligt beskyttelsesudstyr. Se *Personligt beskyttelsesudstyr på side 51*.
- Sørg for, at du ved, hvordan du standser motoren hurtigt i nødstilfælde.
- Start aldrig motoren i et lukket rum eller i nærheden af brandfarlige materialer. Motorens udstødningsgasser er varme og kan indeholde gnister, som kan forårsage brand.
- Betjen ikke produktet, medmindre klingens og alle afskærmninger er monteret korrekt. En forkert monteret klinge kan løsne sig og forårsage personskade.
- Sørg for, at klingens ikke rammer genstande som f.eks. sten og rødder. Det kan beskadige kniven og bøje motorakselen. En bøjet aksel giver kraftige vibrationer og stor risiko for, at kniven løsner sig.
- Hvis kniven rammer en genstand, eller der opstår vibrationer, skal du straks standse produktet. Tag tændkablet af tændrøret. Undersøg, om produktet er blevet beskadiget. Reparer skader, eller lad et autoriseret serviceværksted udføre reparationen.
- Fastgør aldrig motorbremsehåndtaget permanent på styret, når motoren er startet.
- Anbring produktet på et stabilt, fladt underlag, og start det. Sørg for, at kniven ikke rammer jorden eller andre genstande.
- Hold dig altid bag produktet, mens du betjener det.
- Lad alle hjulene blive på jorden, og hold 2 hænder på styret, når du betjener produktet. Hold hænder og fødder på sikker afstand af de roterende klinger.
- Tip ikke produktet, når motoren er startet.
- Vær forsigtig, når du trækker produktet baglæns.
- Løft aldrig produktet, når motoren er startet. Hvis du skal løfte produktet, skal du først standse motoren og frakoble tændkablet fra tændrøret.
- Gå ikke baglæns, når du bruger produktet.
- Stands motoren, når du bevæger dig hen over områder uden græs, f.eks. stier med grus, sten og asfalt.

- Undlad at køre med produktet, når motoren er startet. Gå altid fremad, når du bruger produktet.
- Stands motoren, inden du ændrer klippehøjden. Foretag aldrig justeringer, når motoren er startet.
- Efterlad aldrig produktet uden opsyn, når motoren er startet. Stands motoren, og sørg for, at skæreudstyret ikke roterer.

## Sikkerhedsinstruktioner for drift

### Personligt beskyttelsesudstyr



**ADVARSEL:** Læs følgende advarselsinstruktioner, inden du bruger produktet.

- Personligt beskyttelsesudstyr udelukker ikke fuldstændigt risikoen for personskader, men det mindsker graden af skaderne i tilfælde af, at der skulle ske en ulykke. Lad forhandleren hjælpe dig med at vælge det rigtige udstyr.
- Brug høreværn, hvis støjniveauet er højere end 85 dB.
- Brug kraftige, skridsikre støvler eller sko. Brug ikke åbne sko, og gå heller ikke på bare fødder.
- Brug kraftige, lange bukser.
- Brug om nødvendigt beskyttelseshandsker, f.eks. ved montering, eftersyn eller rengøring af skæreudstyret.

### Sikkerhedsanordninger på produktet



**ADVARSEL:** Læs følgende advarselsinstruktioner, inden du bruger produktet.

- Brug ikke et produkt med sikkerhedsanordninger, der er beskadigede eller ikke fungerer korrekt.
- Kontrollér sikkerhedsanordningerne regelmæssigt. Hvis sikkerhedsanordningerne er beskadigede eller ikke fungerer korrekt, skal du kontakte din Husqvarna-serviceforhandler.
- Foretag ikke ændringer på sikkerhedsanordninger.

### Sådan kontrolleres klippeskjoldet

Klippeskjoldet mindsker vibrationer i produktet og reducerer risikoen for skader fra klingens.

- Undersøg klippeskjoldet for at sikre, at der ikke er skader såsom revner.

### Sådan kontrolleres motorbremsehåndtaget

Motorbremsehåndtaget standser motoren. Når motorbremsehåndtaget slippes, standser motoren.

- Start motoren, og slip derefter motorbremsehåndtaget. Hvis motoren ikke standser inden for 3 sekunder, skal et godkendt Husqvarna serviceværksted justere motorbremsen. (Fig. 16)

## Lyddæmper

Lyddæmperen sikrer et minimalt støjniveau og sender udstødningsgasserne væk fra føreren.

Brug ikke produktet, hvis lyddæmperen mangler eller er beskadiget. En beskadiget lyddæmper øger støjniveauet og risikoen for brand.



**ADVARSEL:** Lyddæmperen bliver meget varm under og efter brug, og når motoren kører i tomgang. Vær forsigtig i nærheden af brandfarlige materialer og/eller dampe for at forhindre brand.

## Brændstofsikkerhed



**ADVARSEL:** Læs følgende advarselsinstruktioner, inden du bruger produktet.

- Start ikke produktet, hvis der er brændstof eller motorolie på produktet. Fjern uønsket brændstof/olie og lad produktet tørre.
- Hvis du får brændstof på dit tøj, skal du skifte tøj med det samme.
- Undgå at få brændstof på kroppen, da det kan forårsage personskader. Hvis du får brændstof på huden, skal du bruge sæbe og vand til at fjerne brændstoffet.
- Start ikke produktet, hvis motoren lækker. Undersøg regelmæssigt motoren for lækager.
- Vær forsigtig med brændstof. Det er letantændeligt, og dampe er eksplosive og kan medføre personskader eller dødsfald.
- Undgå at indånde brændstoffampene, da det kan forårsage personskader. Sørg for, at der er tilstrækkelig luftstrøm.
- Ryg ikke i nærheden af brændstof eller motoren.
- Anbring ikke varme genstande i nærheden af brændstof eller motoren.
- Fyld ikke brændstof på, når motoren er tændt.
- Sørg for, at motoren er afkølet, inden du fylder brændstof på.
- Før du fylder brændstof på, skal du åbne brændstofftankens dæksel langsomt og forsigtigt udløse trykket.
- Fyld ikke brændstof på motoren i et indendørs område. Utilstrækkelig luftstrøm kan forårsage personskader eller dødsfald på grund af kvælning eller kulilte.

- Spænd brændstofftankens dæksel helt. Hvis brændstofftankens dæksel ikke spændes, opstår der risiko for brand.
- Flyt produktet minimum 3 m fra det sted, hvor du fyldte tanken, før du starter det.
- Fyld aldrig brændstofftanken helt op. Varme får brændstoffet til at udvide sig. Sørg for at bevare ledig plads øverst i brændstofftanken.
- Opbevar aldrig produktet med brændstof i brændstofftanken inde i en bygning, hvor der er antændelseskilder som f.eks. vandvarmere, rumvarmere eller tørretumblere. Lad motoren køle af, inden maskinen opbevares i nogen form for indelukke.

## Sikkerhedsinstruktioner for vedligeholdelse



**ADVARSEL:** Læs følgende advarselsinstruktioner, inden du bruger produktet.

- Udstødningsgasserne fra motoren indeholder kulilte, som er en lugtfri, giftig og meget farlig gasart. Undlad at starte motoren indendørs eller i lukkede rum.
- Før der udføres vedligeholdelse af produktet, standses motoren, og tændkablet tages af tændrøret.
- Brug handsker, når du udfører vedligeholdelse på skæreudstyret. Klingen er meget skarp, og du kan nemt komme til at skære dig.
- Tilbehør til og ændringer på produktet, som ikke er godkendt af producenten, kan medføre alvorlig personskade eller dødsfald. Undlad at ændre produktet. Brug altid reservedele, der er godkendt af producenten.
- Hvis vedligeholdelsen ikke udføres korrekt og regelmæssigt, øges risikoen for personskade og beskadigelse af produktet.
- Foretag kun den form for vedligeholdelse, der er angivet i denne instruktionsbog. Eventuel anden service skal udføres af et godkendt Husqvarna serviceværksted.
- Lad et godkendt Husqvarna serviceværksted foretage regelmæssig service af produktet.
- Udskift beskadigede, slidte eller defekte dele.

## Montering

### Sådan samles håndtaget

1. Skub skruen (A) gennem håndtaget (B), plastikskiven (C) og håndtagets støttebeslag (D). (Fig. 17)

2. Spænd møtrikken (E) helt.
3. Skub skruen (F) gennem skiven (G) og håndtagets støttebeslag.
4. Spænd knappen (H) helt.

5. Juster hullerne på styret med hullerne i det nederste håndtag, og monter skruerne, skiver og knopper. Spænd skruelhåndtagene hårdt. (Fig. 18)
6. Fastgør kablerne til styret med kabelholderne. (Fig. 19)

---

**Bemærk:** Sørg for, at opspændingen af kablerne ikke er for høj. For høj en spænding kan beskadige kablet, hvis håndtaget er foldet op i transportposition.

---

7. Anbring kablerne omkring krogen i bunden af styret. (Fig. 20)

## Sådan justeres håndtagets højde

1. Løsn de nederste skruelhåndtag. (Fig. 21)
2. Fjern grebet, skiven og skruen på venstre og højre side.
3. Styret kan indstilles til 2 forskellige højder. Sæt skruen i et af de 2 huller i venstre og højre side. (Fig. 22)
4. Fastgør skruer, skiver og skruelhåndtag.
5. Flyt grebene op i retning af håndtaget, indtil de stopper, og der høres et klik. Spænd skruelhåndtagene hårdt. (Fig. 23)

## Sådan sættes produktet i transportposition

1. Fjern græsopsamleren.

2. Løsn skruelhåndtagene på den øverste del af håndtaget, og fold håndtaget nedad. (Fig. 24)
3. Løsn de nederste skruelhåndtag.
4. Flyt grebene til den nederste ende af rillerne på venstre og højre side af produktet. (Fig. 25)
5. Fold håndtaget fremad. (Fig. 26)

## Sådan sættes produktet i driftsstilling

1. Løft styret, indtil det nederste håndtag låses fast i driftsposition. (Fig. 27)
2. Flyt grebene op i retning af håndtaget, indtil de stopper, og der høres et klik.
3. Spænd skruelhåndtagene hårdt. (Fig. 28)
4. Løft den øverste del af styret.
5. Spænd skruelhåndtagene hårdt. (Fig. 29)

## Sådan samles græsopsamleren

1. Fastgør græsopsamlerens øverste del til græsopsamlerens nederste del. (Fig. 30)
2. Fastgør græsopsamlerens ramme med clipsene. (Fig. 31)
3. Løft det bageste dæksel.
4. Sæt græsopsamlerens kroge på chassisets øverste kant. (Fig. 32)
5. Sæt græsopsamlerens nederste del i græsudkastkanalen.

---

## Drift

---

### Indledning



**ADVARSEL:** Før du bruger produktet, skal du læse og forstå kapitlet om sikkerhed.

### Husqvarna Connect

Husqvarna Connect er en gratis app til din mobile enhed. Appen Husqvarna Connect giver udvidede funktioner til dit Husqvarna produkt:

- Yderligere produktoplysninger.
- Oplysninger om, og hjælp til, dele og service.

### Sådan kommer du i gang med at bruge Husqvarna Connect

1. Download Husqvarna Connect appen på din mobile enhed.
2. Tilmeld dig i Husqvarna Connect appen.
3. Følg instruktionerne i Husqvarna Connect appen for at tilslutte og registrere produktet.

### Før du bruger produktet

1. Læs brugsanvisningen omhyggeligt igennem, og sørg for at have forstået instruktionerne.
2. Undersøg skæreudstyret for at sikre, at det er korrekt monteret og justeret. Se *Sådan efterses skæreudstyret på side 55*.
3. Fyld brændstoftanken. Se *Sådan påfyldes brændstof på side 53*.
4. Fyld olietanken, og efterse oliestanden. Se *Sådan kontrolleres oliestanden på side 56*.

### Sådan påfyldes brændstof

Brug benzin med lavt emissionsniveau/alkylatbenzin, hvis det er tilgængeligt. Hvis du ikke har mulighed for at bruge benzin med lavt emissionsniveau/alkylatbenzin, skal du anvende en blyfri benzin af god kvalitet eller blyholdig benzin med et oktantal ikke under 91.



**BEMÆRK:** Brug ikke benzin med et oktantal under 91 RON. Det kan forårsage skader på produktet.



**BEMÆRK:** Udskift brændstoffilteret årligt eller oftere, hvis det er nødvendigt. Et nyt brændstoffilter vil være tilgængeligt hos din Husqvarna-forhandler.



**BEMÆRK:** Stands altid motoren, inden du påfylder brændstof.



**BEMÆRK:** Brug ikke startvæsker under tryk.

1. Åbn brændstoftankens dæksel langsomt for at aflaste trykket.
2. Påfyld brændstof langsomt med en benzindunk. Hvis du spilder brændstof, fjernes det med en klud. Lad resterende brændstof fordampe. (Fig. 33)
3. Rengør omkring brændstoftankens dæksel.
4. Spænd brændstoftankens dæksel helt. Hvis brændstoftankens dæksel ikke spændes, opstår der risiko for brand.
5. Flyt produktet minimum 3 m fra det sted, hvor du fyldte tanken, før du starter det.

## Sådan indstilles klippehøjden

1. Flyt klippehøjdehåndtaget bagud for at øge klippehøjden.
2. Flyt klippehøjdehåndtaget fremad for at mindske klippehøjden. (Fig. 34)



**BEMÆRK:** Indstil ikke klippehøjden for lavt. Knivene kan ramme jorden, hvis græsplænenes overflade ikke er jævn.

## Sådan startes produktet

1. Kontroller, at tændkablet er tilsluttet til tændrøret.
2. Stil dig bag produktet.
3. Hold motorbremsehåndtaget ind mod styret. (Fig. 35)

4. Hold fast i startsnorens håndgreb med højre hånd.
5. Træk langsomt startsnoren ud, indtil der føles modstand.
6. Træk kraftigt, indtil motoren starter.



**ADVARSEL:** Vikl aldrig startsnoren rundt om hånden.

## Sådan bruges hjulenes fremtræk ( )

- Skub bøjlen til fremtrækket i retning mod styret. (Fig. 36)
- Slip bøjlen til fremtrækket for at frakoble det, f.eks. når du nærmer dig en forhindring.
- Før produktet trækkes baglæns, frakobles fremtrækket, og produktet skubbes ca. 10 cm fremad.

## Sådan standses produktet

- For kun at standse drevet slippes bøjlen til fremtrækket.
- Motoren standses ved at slippe motorbremsehåndtaget.

## Sådan opnår du et godt resultat

- Sørg altid for, at klingen er skarp. En sløv klinge giver et uregelmæssigt resultat, og græssets snitflade bliver gul. En skarp klinge bruger desuden mindre energi end en sløv klinge.
- Klip aldrig mere end  $\frac{1}{3}$  af græssets længde. Klip først med klippehøjden indstillet højt. Efterse resultatet, og sænk derefter klippehøjden til det ønskede niveau. Hvis græsset er meget højt, skal du køre langsomt og om nødvendigt klippe 2 gange.
- Klip i forskellige retninger hver gang for at undgå striber i græsplænen.
- Hold klippeafskærmningen ren. Ophobning af græs og snavs på indersiden af klippeafskærmningen kan forringe klipperesultatet. Se *Sådan rengøres indersiden af klippeskjoldet på side 55*.

## Vedligeholdelse

### Indledning



**ADVARSEL:** Inden der foretages vedligeholdelse, skal du læse og forstå kapitlet om sikkerhed.

Alt service- og reparationsarbejde på produktet kræver specialuddannelse. Vi garanterer faglig korrekt reparation og service. Hvis forhandleren ikke er et serviceværksted, kan vedkommende oplyse om nærmeste serviceværksted.

Se for at få mere detaljerede oplysninger.

### Vedligeholdelsesskema



**BEMÆRK:** Sørg for, at luftfilteret er oppe og ikke rammer imod jorden, når du vipper produktet. Risiko for motorskade.

Vedligeholdelsesintervallerne er fastlagt baseret på daglig brug af produktet. Intervallerne ændres, hvis produktet ikke bruges dagligt.

For vedligeholdelse mærket med \* henvises til vejledningen i *Sikkerhedsanordninger på produktet på side 51*.

Vedligeholdelse	Hver dag	Månedligt	Hver sæson
Foretag et generelt eftersyn	X		
Efterse oliestanden	X		
Skift olie (første gang efter 5 timers brug, derefter efter hver 50 timers brug). <sup>22</sup>			X
Rengør produktet	X		
Efterse skæreudstyret	X		
Efterse klippeskjoldet *	X		
Efterse motorbremsehåndtaget *	X		
Efterse lyddæmperen *		X	
Efterse tændrøret. Rengør eller udskift tændrøret, når det er nødvendigt			X
Undersøg luffilteret	X		
Rens luffiltret <sup>23</sup>		X	
Udskift luffilteret			X
Efterse brændstofsyste­met			X
Rens køleribberne på cylindere­n		X	
Efterse og justér koblingskablet (LC 140SP)			X

## Sådan udføres et generelt eftersyn

- Sørg for, at alle møtrikker og skruer på produktet er spændt korrekt.

## Sådan rengøres produktet udvendigt

- Brug en børste til at fjerne blade, græs og snavs.
- Sørg for, at luftindtaget oven på motoren ikke er blokeret.
- Brug ikke en højtryksrenser til at rengøre produktet.
- Hvis du bruger vand til at rengøre produktet, må vandet ikke sprøjtes direkte på motoren.

## Sådan rengøres indersiden af klippeskjoldet

1. Tøm brændstoftanken.
2. Vip produktet. Sørg for, at tændrøret peger opad.



**BEMÆRK:** Hvis produktet anbringes med luffilteret nedad, kan motoren tage skade.

3. Spul indersiden af klippeskjoldet med vand.

## Sådan efterses skæreudstyret



**ADVARSEL:** Tændkablet tages af tændrøret for at undgå utilsigtet start af motoren.



**ADVARSEL:** Brug handsker, når du udfører vedligeholdelse på skæreudstyret. Klinge er meget skarpe, og du kan nemt komme til at skære dig.

1. Efterse skæreudstyret for skader eller revner. Udskift altid skæreudstyret, hvis det er beskadiget.

<sup>22</sup> Hvis produktet betjenes med stor belastning eller ved høje omgivelsestemperaturer, skal motorolien udskiftes hver 25. time.

<sup>23</sup> Rengør oftere under støvede forhold, eller når der er luftbårne partikler til stede. Udskift luffilteret, hvis det er meget snavset.

2. Kig på klingen for at se, om den er beskadiget eller sløv.

**Bemærk:** Kniven skal afbalanceres, efter den er blevet sletet. Lad et servicecenter skærpe, udskift og afbalancere klingen. Hvis du rammer en forhindring, der får produktet til at standse, udskiftes den beskadigede klinge. Lad servicecenteret vurdere, om klingen kan files, eller om den skal udskiftes.

## Sådan udskiftes bladet

1. Lås kniven med en trækloids. (Fig. 37)
2. Fjern knivbolten og fjederskiven.
3. Fjern bladet.
4. Efterse knivophæng og knivbolt for at se, om der er skader.
5. Efterse motorakslens for at sikre, at den ikke er bøjet.
6. Når du sætter den nye kniv på, skal knivens spidser pege i retning af klippebordet. (Fig. 38)
7. Sørg for, at kniven flugter med motorakslens centrum.
8. Lås kniven med en trækloids. Monter fjederskiven, og spænd bolt og skiven med et tilspændingsmoment på 45–60 Nm. (Fig. 39)
9. Træk kniven rundt pr. håndkraft, og kontrollér, at den drejer frit.



**ADVARSEL:** Brug sikkerhedshandsker. Kniven er meget skarp, og du kan nemt komme til at skære dig.

10. Start produktet for at afprøve kniven. Hvis kniven ikke er korrekt fastgjort, forekommer der vibrationer i produktet, eller klipperesultatet bliver utilfredsstillende.

## Sådan kontrolleres oliestanden



**BEMÆRK:** Hvis olieniveauet er for lavt, kan det medføre motorskader. Kontrollér oliestanden, før du starter produktet.

1. Anbring produktet på et plant underlag.
2. Afmonter olietankens dæksel, hvorpå oliepipinden sidder.
3. Tør olien af oliepipinden.
4. Stik oliepipinden helt ned i olietanken for at få et korrekt billede af oliestanden. Skru ikke olietankens dæksel i på.
5. Afmonter olietankens dæksel, hvorpå oliepipinden sidder.
6. Kontrollér oliestanden på målepipinden.

7. Hvis oliestanden er lav, skal der efterfyldes med motorolie, og foretag derefter en kontrol af oliestanden igen. (Fig. 40)

**Bemærk:** Brug en tragt for at undgå at spilde.

8. Monter olietankens dæksel, når oliestanden er korrekt.

## Sådan udskiftes motorolien



**ADVARSEL:** Motorolien er meget varm umiddelbart efter, at motoren er standset. Lad motoren køle af, før du aftapper motorolien. Hvis du spilder motorolie på huden, kan den fjernes med vand og sæbe.

(Fig. 41)

1. Brug produktet, indtil brændstoftanken er tom.
2. Tag tændkablet af tændrøret.
3. Afmonter olietankens dæksel, hvorpå oliepipinden sidder.
4. Stil en beholder under produktet til at opsamle motorolien i.
5. Vip produktet, eller aftap motorolien fra olietanken med en oliepumpe (tilbehør).
6. Påfyld ny motorolie af den type, der anbefales i *Tekniske data på side 59*.
7. Udfør en kontrol af oliestanden. Se *Sådan kontrolleres oliestanden på side 56*.
8. Monter olietankens dæksel, når oliestanden er korrekt.

## Sådan rengøres skumplastfilteret



**BEMÆRK:** Motoren må ikke startes, hvis luffiltrene er ikke sat på. Slitagen på motoren øges, hvis der er skidt i luften.

1. Fjern luffilterdækslet (A). (Fig. 42)
2. Fjern skumplastfiltrene (B).



**BEMÆRK:** Undersøg skumplastfiltrene for skader eller slitage. Udskift alle beskadigede skumplastfiltre.

3. Rengør skumplastfiltrene med vand og sæbe.
4. Skyl skumplastfiltrene i rent vand.
5. Vrid vandet ud af skumplastfiltrene, og lad dem tørre.



**BEMÆRK:** Brug ikke trykluft. Det kan medføre beskadigelse af skumplastfilteret.

6. Smør skumplastfiltrene med motorolie.



- Pres en ren klud ind mod skumplastfilteret for at fjerne uønsket olie.
- Installer skumplastfiltrene. Sørg for, at skumplastfiltrene ligger helt tæt ind til luftfilterholderen.
- Installer luftfilterdækslet.

## Sådan kontrolleres tændrøret



**BEMÆRK:** Brug altid anbefalet tændrørstype. Forkert tændrørstype kan forårsage skader på produktet.

- Undersøg tændrøret, hvis motoren mangler kraft, ikke starter nemt eller ikke fungerer korrekt i tomgangshastighed.
- Sådan mindsker du risikoen for uønsket materiale på tændrørets elektroder, følg disse instruktioner:
  - Sørg for, at tomgangshastigheden er indstillet korrekt.
  - Sørg for, at brændstofblandingen er korrekt.
  - Sørg for, at luftfilteret er rent.
- Hvis tændrøret er beskidt, skal det renses, og samtidig skal det kontrolleres, at elektrodeafstanden er korrekt, se *Tekniske data på side 59*. (Fig. 43)
- Udskift tændrøret, når det er nødvendigt.

## Sådan undersøger du brændstofsyste­met

- Efterse brændstoftankens dæksel og pakningen til brændstoftankens dæksel for at sikre, at der ikke er nogen skader.
- Efterse brændstofslangen for at sikre, at der ikke er utætheder. Hvis brændstofslangen er beskadiget, skal du lade et serviceværksted skifte den.

## Sådan tømmes brændstoftanken

- Sæt en beholder under brændstoftanken.
- Fjern brændstoftankens dæksel.
- Skub slangeklemmerne på brændstofslangen mod karburatoren.
- Fjern brændstofslangen fra karburatoren.

- Put brændstoftankens slange i beholderen, og fjern slangeklemmerne.
- Vip produktet, og tøm brændstoffet i beholderen.

## Sådan udskiftes brændstoffilteret



**ADVARSEL:** Bær altid beskyttelseshandsker.

- Tøm brændstoftanken.
- Flyt slangeklemmen væk fra brændstoftanken. (Fig. 44)
- Fjern brændstofslangen fra brændstoftanken. En lille mængde brændstof kan løbe ud. (Fig. 45)
- Fjern brændstoffilteret fra brændstoftanken. (Fig. 46)
- Installer et nyt brændstoffilter i brændstoftanken.
- Fastgør brændstofslangen til brændstoftanken.
- Sæt slangeklemmen på plads mod brændstoftanken.

## Sådan justeres koblingskablet ((LC 140SP))

I nedenstående tilfælde er det nødvendigt at forkorte længden af koblingskablet:

- Hjulenes fremtræk aktiveres ikke, når du trækker i bøjlen til fremtræk eller i omdrejningstalreguleringen.
- Produktet kører langsomt, når hjulenes fremtræk er aktiveret.

I nedenstående tilfælde er det nødvendigt at øge længden af koblingskablet:

- Produktet kører, når hjulenes fremtræk ikke er aktiveret.
- Justering af koblingskablet.
  - Reducer længden af koblingskablet ved at dreje justerskruen mod uret.
  - Øg længden af koblingskablet ved at dreje justerskruen med uret. (Fig. 47)

Hvis produktet fortsat kører utilfredsstillende efter justeringen, skal du tale med en autoriseret serviceforhandler

## Fejlfinding af motor

Problem	Mulig årsag	Løsning
Motoren starter ikke.	Tændkablet er ikke tilsluttet korrekt.	Tilslut tændkablet til tændrøret.
	Brændstoftanken er tom.	Fyld den korrekte brændstoftype i tanken.
	Brændstoffet er gammelt.	Tøm brændstoftanken og karburatoren. Påfyld ny benzin.
	Der er snavs i karburator eller brændstoffilførsel.	Rengør karburatoren og/eller brændstoffilførslen.
	Tændrøret er beskadiget.	Juster elektrodeafstanden, rengør eller udskift tændrøret.
	Der er brændstof på tændrøret.	Rens tændrøret.
Motoren standser ikke.	Stopmekanismen fungerer ikke korrekt.	Frakobl tændkablet fra tændrøret. Lad et godkendt serviceværksted reparere produktet.
Motoren kører ikke jævnt.	Tændkablet er ikke tilsluttet korrekt.	Tilslut tændkablet til tændrøret.
	Der er snavs i brændstoffilførslen, eller der er ikke mere brændstof på produktet.	Rengør brændstoffilførslen. Fyld brændstoftanken op med nyt brændstof af den rigtige type.
	Der er en blokering i brændstoftankens dæksel.	Rengør brændstoftankens dæksel.
	Der er vand eller snavs i brændstoftankens dæksel.	Tøm brændstoftanken. Fyld brændstoftanken op med nyt brændstof af den rigtige type.
	Luftfilteret er snavset.	Rens luftfilteret.
	Karburatoren skal justeres.	Lad en serviceforhandler justere karburatoren.
Motoren bliver for varm.	Motoroliestanden er for lav.	Påfyld motorolie.
	Luftstrømmen er ikke tilstrækkelig.	Rengør luftfilteret og luftfilterhuset.
	Karburatoren skal justeres.	Lad en serviceforhandler justere karburatoren.
Der sker fejltænding i motoren, når den kører ved høj hastighed.	Elektrodeafstanden i tændrøret er for lille.	Juster elektrodeafstanden.
Usædvanlig støj fra motoren under normal belastning.	Forkert type benzin.	Tøm brændstoftanken og karburatoren. Påfyld ny benzin. Se <i>Sådan påfyldes brændstof på side 53</i> . Hvis problemet fortsætter, skal du kontakte din lokale serviceforhandler.

Problem	Mulig årsag	Løsning
Motoren fungerer ikke korrekt i tomgangshastighed.	Tændrøret er tilstoppet eller beskadiget eller elektrodeafstanden er for stor.	Juster elektrodeafstanden, eller udskift tændrøret.
	Karburatoren skal justeres.	Juster karburatoren.
	Luftfilteret er snævset.	Rens luftfilteret.

## Transport, opbevaring og bortskaffelse

### Transport og opbevaring

- Ved opbevaring og transport af produktet og brændstoffet, skal du sørge for, at der ikke er utætheder eller dampe. Gnister eller åben ild, f.eks. fra elektriske enheder eller kedler, kan starte en brand.
- Brug altid godkendte beholdere til opbevaring og transport af brændstof.
- Tøm brændstoftanken, inden du stiller produktet væk i en længere periode. Bortskaf brændstoffet på en lokal miljøstation
- Fastgør produktet sikkert under transport for at undgå skader og uheld.

- Opbevar produktet i et aflåst område utilgængeligt for børn eller personer, som ikke er godkendt.
- Opbevar produktet på et tørt og frostfrit sted.

### Bortskaffelse

- Overhold de lokale krav til genanvendelse og de gældende regler.
- Bortskaf alle kemikalier, som f.eks. motorolie eller brændstof, hos et servicecenter eller på en lokal miljøstation.
- Når produktet ikke længere er i brug, skal det sendes til en Husqvarna forhandler eller bortskaffes på en lokal genbrugsstation.

## Tekniske data

### Tekniske data

	LC 140P	LC 140SP
<b>Motor</b>		
Varemærke	Husqvarna	Husqvarna
Modelnavn for motoren	HS 123A	HS 123A
Motortype	1-cylindret, 4-takts frem-medkøling, OHV	1-cylindret, 4-takts frem-medkøling, OHV
Slagvolumen, cm <sup>3</sup>	123	123
Hastighed, o/min.	3000	3000
Nominal motoreffekt, kW <sup>24</sup>	1,95	1,95
<b>Tændingssystem</b>		
Tændrør	Husqvarna HQT-7	Husqvarna HQT-7
Elektrodeafstand, mm	0,7-0,8	0,7-0,8

<sup>24</sup> Motorens effekttangivelse er den gennemsnitlige nettoeffekt (ved det anførte omdrejningstal) for en typisk produktionsmodel af motoren målt iht. SAE-standarden J1349/ISO1585. Motorer fra masseproduktionen kan afvige fra denne værdi. Den faktiske effekt på motoren, som installeres i det færdige produkt, vil afhænge af driftshastigheden, miljøhensyn og andre værdier.

	LC 140P	LC 140SP
<b>Brændstof-/smøresystem</b>		
Motorsmøringstype	Splash	Splash
Brændstoftankens kapacitet, l	0,9	0,9
Olietankens kapacitet, l	0,5	0,5
Motorolie <sup>25</sup>	Husqvarna SAE 30, Husqvarna SAE 5W-30 syntetisk, Husqvarna SAE 10W-40	Husqvarna SAE 30, Husqvarna SAE 5W-30 syntetisk, Husqvarna SAE 10W-40
<b>Vægt</b>		
Med tomme tanke, kg	25,2	26,8
<b>Støjemissioner</b> <sup>26</sup>		
Lydeffektniveau, målt dB(A)	93	93
Lydeffektniveau, garanteret L <sub>WA</sub> dB(A)	94	94
<b>Lydniveauer</b> <sup>27</sup>		
Lydtryksniveau ved operatørens øre, dB(A)	82	82
<b>Vibrationsniveauer</b> <sup>28</sup>		
Vibrationer i styret, m/s <sup>2</sup>	5,6	7,6
<b>Klippeudstyr</b>		
Klippehøjde, mm	25-75	25-75
Skærebredde, mm	400	400
Klippesystem	Opsamling/bagudkast	Opsamling/bagudkast
Klinge – standard	Opsamling 5873863-10	Opsamling 5873863-10
Græsopsamlerens kapacitet, liter	50	50
<b>Drev</b>		
Selvkørende hastighed, km/t	–	4

<sup>25</sup> Brug motorolie af kvaliteten API, SJ eller bedre. Hvis SAE-30-olien anvendes ved temperatur under +5 °C, er der risiko for, at den ikke smører motoren tilstrækkeligt. Dette kan forårsage skader på motoren. Se *Sådan udskiftes motorolien på side 56* for den korrekte olie til lave temperaturer. Se tabellen over viskositet i motorproducentens manual (hvis den medfølger), og vælg en olie med optimal viskositet i forhold til den forventede udendørstemperatur.

<sup>26</sup> Støjemissioner til omgivelserne målt som lydeffekt (L<sub>WA</sub>) i henhold til EF-direktiv 2000/14/EF.

<sup>27</sup> Rapporterede data for lydtryksniveau har en typisk statistisk spredning (standardafvigelse) på 1,2 dB (A).

<sup>28</sup> Rapporterede data for vibrationsniveau har en typisk statistisk spredning (standardafvigelse) på 0,2 m/s<sup>2</sup>.

# Overensstemmelseserklæring

## EU-overensstemmelseserklæring

Vi, **Husqvarna AB**, SE-561 82 Huskvarna, Sverige,  
tlf.: +46-36-146500 erklærer under eneansvar, at det  
pågældende produkt:

<b>Beskrivelse</b>	Plæneklipper
<b>Varemærke</b>	Husqvarna
<b>Type / model</b>	LC 140P, LC 140SP
<b>Identifikation</b>	Serienumrene fra 2022 og fremefter

overholder følgende EU-direktiver og bestemmelser:

<b>Regulativ</b>	<b>Beskrivelse</b>
2006/42/EF	"vedrørende maskiner"
2014/30/EU	"vedrørende elektromagnetisk kompatibilitet"
2000/14/EF	"vedrørende støjemissioner til omgivelserne"
2011/65/EU	"om begrænsning af anvendelsen af visse farlige stoffer i elektrisk og elektronisk udstyr"

og at følgende standarder og/eller tekniske  
specifikationer anvendes: EN ISO 5395-1:2013/  
A1:2018, EN ISO 5395-2:2013/A1:2016/A2:2017, EN  
ISO 14982:2009, EN IEC 63000:2018

Bemyndiget organ: 0404, RISE SMP Svensk  
Maskinprovning AB, Box 4053, SE-904 03  
Umeå, Sweden har bekræftet, at bestemmelserne  
i Rådets direktiv 2000/14/EF, procedure for  
overensstemmelsesvurdering: Bilag VI.

Vedr. oplysninger om støjemission, se *Tekniske data på  
side 59*.

Huskvarna, 2022-09-27



Claes Losdal, udviklingschef/haveprodukter, Husqvarna  
AB

Ansvarlig for teknisk dokumentation



---

# Inhalt

---

Einleitung.....	62	Fehlersuche am Motor.....	72
Sicherheit.....	63	Transport, Lagerung und Entsorgung.....	73
Montage.....	66	Technische Angaben.....	73
Betrieb.....	67	Konformitätserklärung.....	75
Wartung.....	68		

---

## Einleitung

---

### Produktbeschreibung

Das Produkt ist ein handgeführter Rasenmäher. Das Gras wird in einem Grasfänger gesammelt. Entfernen Sie den Grasfänger, um an den Heckauswurf des Grasses zu gelangen.

### Geräteübersicht

(Abb. 1)

1. Griff/Lenker
2. Antriebsgriff (LC 140SP)
3. Startseilgriff
4. Grasfänger
5. Kraftstofftank
6. Luftfilter
7. Zündkerze
8. Schneidwerkabdeckung
9. Schalldämpfer
10. Öltankdeckel
11. Schnitthöhenhebel
12. Heckklappe
13. Motorbremsgriff
14. Symbole
15. Untere Griffbaugruppe
16. Unterer Griff
17. Bedienungsanleitung
18. Öltrichter

### Symbole auf dem Gerät

(Abb. 2) **WARNUNG!** Gehen Sie vorsichtig vor, und verwenden Sie das Gerät ordnungsgemäß. Dieses Gerät kann schwere oder tödliche Verletzungen des Bedieners oder anderer Personen verursachen.

(Abb. 3) Lesen Sie die Bedienungsanleitung sorgfältig durch, und machen Sie sich vor der Benutzung mit dem Inhalt vertraut.

(Abb. 4) Achten Sie auf hochgeschleuderte und abprallende Objekte.

### Verwendungszweck

Verwenden Sie das Gerät zum Schneiden von Gras.  
Verwenden Sie das Gerät nicht für andere Aufgaben.

(Abb. 5) Andere Personen oder Tiere müssen sich in sicherem Abstand vom Arbeitsbereich befinden.

(Abb. 6) **Warnung:** Halten Sie Hände und Füße von der rotierenden Klinge fern.

(Abb. 7) **Warnung:** Halten Sie Hände und Füße von rotierenden Teilen fern.

(Abb. 8) Schalten Sie vor der Durchführung von Reparatur- oder Wartungsarbeiten den Motor aus, und entfernen Sie das Zündkabel.

(Abb. 9) Dieses Gerät stimmt mit den geltenden EG-Richtlinien überein.

(Abb. 10) Etikett mit Geräuschemissionen gemäß EU- und UK-Richtlinien und Verordnungen sowie der australischen „Protection of the Environment Operations (Noise Control) Regulation 2017“ (Umweltschutz-/Lärmschutzbestimmung) von New South Wales. Der garantierte Schallleistungspegel des Geräts ist unter *Technische Daten auf Seite 73* und auf dem Etikett angegeben.

(Abb. 11) Dieses Gerät entspricht den geltenden UK-Richtlinien.

(Abb. 12) Brandgefahr.

(Abb. 13) Atmen Sie keine Abgase ein. Die Abgase des Motors enthalten Kohlenmonoxid, ein geruchloses, giftiges und sehr gefährliches Gas. Starten Sie den

Motor nicht in Innenräumen oder in geschlossenen Räumen.

(Abb. 14) Heiße Oberfläche.

(Abb. 15) Befüllen Sie den Motor mit Öl, bevor Sie das Gerät starten.

---

**Hinweis:** Weitere Symbole/Aufkleber auf dem Gerät beziehen sich auf die Zertifizierungsanforderungen für einige gewerbliche Bereiche.

---

## Emissionen nach Euro V

---



**WARNUNG:** Bei jeglichen Manipulationen des Motors erlischt die EU-Typgenehmigung für dieses Produkt.

---

---

## Sicherheit

---

### Sicherheitsdefinitionen

Warnungen, Vorsichtsmaßnahmen und Hinweise werden verwendet, um auf besonders wichtige Teile der Bedienungsanleitung hinzuweisen.



**WARNUNG:** Wird verwendet, wenn bei Nichtbeachtung der Anweisungen in diesem Handbuch die Gefahr von Verletzung oder Tod des Bedieners oder anderer Personen besteht.



**ACHTUNG:** Wird verwendet, wenn bei Nichtbeachtung der Anweisungen in diesem Handbuch die Gefahr von Schäden am Gerät, an anderen Materialien oder in der Umgebung besteht.

---

**Hinweis:** Für weitere Informationen, die in bestimmten Situationen nötig sind.

---

### Allgemeine Sicherheitshinweise

---



**WARNUNG:** Lesen Sie die folgenden Warnhinweise, bevor Sie das Gerät verwenden.

- Dieses Gerät ist gefährlich, wenn es falsch bedient wird oder Sie unvorsichtig sind. Wenn die Sicherheitshinweise nicht befolgt werden, kann dies zu Verletzungen oder zum Tod führen.
- Dieses Gerät erzeugt beim Betrieb ein elektromagnetisches Feld. Dieses Feld kann sich unter bestimmten Bedingungen auf die Funktionsweise aktiver oder passiver medizinischer

## Produktschäden

Wir haften nicht für Schäden an unserem Produkt, wenn:

- das Gerät nicht ordnungsgemäß repariert wird.
- das Gerät mit Teilen repariert wird, die nicht vom Hersteller stammen oder nicht vom Hersteller zugelassen sind.
- ein Zubehörteil mit dem Gerät verwendet wird, das nicht vom Hersteller stammt oder nicht vom Hersteller zugelassen ist.
- das Gerät nicht bei einem zugelassenen Service Center oder von einem zugelassenen Fachmann repariert wird.

Implantate auswirken. Um die Gefahr von Situationen, die zu schweren oder tödlichen Verletzungen führen können, auszuschließen, sollten Personen mit einem medizinischen Implantat vor der Nutzung dieses Geräts ihren Arzt und den Hersteller des Implantats konsultieren.

- Lassen Sie immer Vorsicht walten, und arbeiten Sie mit gesundem Menschenverstand. Wenn Sie sich nicht sicher sind, wie das Gerät in einer bestimmten Situation zu bedienen ist, unterbrechen Sie die Arbeit und wenden sich an Ihren Husqvarna-Händler, bevor Sie fortfahren.
- Denken Sie daran, dass der Bediener für Unfälle mit anderen Personen oder deren Eigentum verantwortlich ist.
- Halten Sie das Gerät sauber. Stellen Sie sicher, dass Symbole und Aufkleber deutlich lesbar sind.
- Lassen Sie keine andere Person das Gerät verwenden, es sei denn, Sie haben sich zuvor vergewissert, dass diese Person den Inhalt der Bedienungsanleitung gelesen und verstanden hat.
- Lassen Sie nicht zu, dass Kinder das Gerät verwenden.
- Halten Sie Kinder vom Arbeitsbereich fern. Es muss immer ein verantwortlicher Erwachsener anwesend sein.
- Erlauben Sie nicht, dass Personen ohne Kenntnis der Anweisungen das Gerät bedienen.
- Stellen Sie sicher, dass Personen mit verminderter physischer oder psychischer Leistungsfähigkeit dieses Gerät nicht unbeaufsichtigt verwenden. Es muss immer ein verantwortlicher Erwachsener anwesend sein.
- Verwenden Sie das Gerät nicht, wenn Sie müde oder krank sind oder unter Einfluss von Alkohol, Drogen oder Medikamenten stehen. Dies wirkt sich

negativ auf Ihre Sehkraft, Ihre Aufmerksamkeit sowie Ihr Koordinations- und Urteilsvermögen aus.

- Verwenden Sie das Gerät nicht, wenn es beschädigt ist oder nicht ordnungsgemäß funktioniert.
- Verändern oder verwenden Sie dieses Gerät nicht, wenn die Möglichkeit besteht, dass es durch Dritte verändert wurde.
- Nehmen Sie keine Änderungen an der Einstellung der Motordrehzahlregelung vor.

## Sicherheit im Arbeitsbereich



**WARNUNG:** Lesen Sie die folgenden Warnhinweise, bevor Sie das Gerät benutzen.

- Entfernen Sie Gegenstände wie Äste, Zweige und Steine aus dem Arbeitsbereich, bevor Sie das Produkt verwenden.
  - Gegenstände, die auf die Schneidausrüstung treffen, können herausgeschleudert werden und Personen und Gegenständen Schaden zufügen. Halten Sie andere Personen und Tiere in einem sicheren Abstand zum Produkt.
  - Benutzen Sie das Produkt niemals bei schlechtem Wetter wie Nebel, Regen, starkem Wind, intensiver Kälte und bei der Gefahr eines Blitzschlags. Die Verwendung des Produkts bei schlechtem Wetter oder an feuchten oder nassen Stellen ist anstrengend. Schlechtes Wetter kann gefährliche Zustände wie rutschige Oberflächen verursachen.
  - Achten Sie auf Personen, Gegenstände und Situationen, die einen sicheren Betrieb des Produkts verhindern könnten.
  - Achten Sie auf Hindernisse wie Wurzeln, Steine, Zweige, Löcher und Gräben. Langes Gras kann Hindernisse verdecken.
  - Das Mähen von Gras an Steigungen kann gefährlich sein. Verwenden Sie das Produkt nicht in einem Gelände mit einer Neigung von mehr als 15°.
  - Betreiben Sie das Produkt quer zum Hang. Bewegen Sie sich nicht nach oben und nach unten.
  - Seien Sie vorsichtig, wenn Sie um versteckte Ecken oder Objekte herum fahren, die Ihre freie Sicht verhindern.
- Starten Sie den Motor niemals in einem geschlossenen Raum oder in der Nähe von brennbarem Material. Die Motorabgase sind heiß und können Funken enthalten, die einen Brand verursachen können.
  - Starten Sie das Produkt nicht, bevor die Klinge und alle Abdeckungen korrekt befestigt sind. Eine falsch befestigte Klinge kann sich lösen und Personenschaden verursachen.
  - Stellen Sie sicher, dass die Klinge nicht auf Gegenstände wie Steine und Wurzeln trifft. Dies kann die Klinge beschädigen und die Motorwelle verbiegen. Eine verbogene Achse führt zu starken Vibrationen und birgt ein hohes Risiko, dass die Klinge sich löst.
  - Wenn die Klinge auf ein Objektiv trifft oder Vibrationen auftreten, müssen Sie das Produkt sofort abstellen. Ziehen Sie das Zündkabel von der Zündkerze ab. Untersuchen Sie das Produkt auf beschädigte Teile. Reparieren Sie Schäden oder lassen Sie einen autorisierten Kundendienst die Reparatur durchführen.
  - Befestigen Sie die Motorbremse niemals fest am Griff, wenn der Motor läuft.
  - Stellen Sie das Produkt auf eine stabile, flache Oberfläche und starten Sie es. Stellen Sie sicher, dass die Klinge nicht den Boden oder ein anderes Objekt berührt.
  - Bleiben Sie immer hinter dem Produkt, wenn Sie es betreiben.
  - Lassen Sie alle Räder auf dem Boden bleiben und halten Sie den Griff mit 2 Händen, wenn Sie das Produkt betreiben. Halten Sie Hände und Füße von den rotierenden Rasenmäherklingen fern.
  - Kippen Sie das Produkt nicht, wenn der Motor läuft.
  - Seien Sie vorsichtig, wenn Sie das Produkt nach hinten ziehen.
  - Heben Sie das Produkt nicht hoch, wenn der Motor läuft. Wenn Sie das Produkt anheben müssen, schalten Sie zunächst den Motor aus und ziehen Sie das Zündkabel von der Zündkerze ab.
  - Gehen Sie nicht rückwärts, wenn Sie das Produkt betreiben.
  - Stellen Sie den Motor ab, wenn Sie sich über Bereiche ohne Gras bewegen, zum Beispiel Wege aus Kies, Stein und Asphalt.
  - Rennen Sie nicht mit dem Produkt, wenn der Motor läuft. Gehen Sie immer, wenn Sie das Produkt benutzen.
  - Stellen Sie den Motor ab, bevor Sie die Schnitthöhe verändern. Verändern Sie die Einstellungen niemals, wenn der Motor läuft.
  - Lassen Sie das Produkt niemals aus den Augen, wenn der Motor läuft. Stellen Sie den Motor ab und stellen Sie sicher, dass sich die Schneidausrüstung nicht dreht.

## Arbeitssicherheit



**WARNUNG:** Lesen Sie die folgenden Warnhinweise, bevor Sie das Gerät benutzen.

- Verwenden Sie dieses Produkt nur zum Mähen von Rasenflächen. Es ist nicht erlaubt, das Produkt für andere Aufgaben zu verwenden.
- Benutzen Sie eine persönliche Schutzausrüstung. Siehe *Persönliche Schutzausrüstung auf Seite 65*.
- Stellen Sie sicher, dass Sie wissen, wie der Motor in einem Notfall schnell gestoppt werden kann.



# Sicherheitshinweise für den Betrieb

## Persönliche Schutzausrüstung



**WARNUNG:** Lesen Sie die folgenden Warnhinweise, bevor Sie das Gerät benutzen.

- Die persönliche Schutzausrüstung kann Verletzungen nicht vollständig vermeiden, vermindert aber den Umfang der Verletzungen und Schäden bei einem Unfall. Lassen Sie sich von Ihrem Händler bei der Auswahl der richtigen Ausrüstung unterstützen.
- Tragen Sie einen Gehörschutz, wenn der Geräuschpegel höher als 85 dB ist
- Tragen Sie rutschfeste Sicherheitsstiefel oder -schuhe. Verwenden Sie keine offenen Schuhe, und gehen Sie nicht barfuß.
- Tragen Sie schwere, lange Hosen.
- Tragen Sie bei Bedarf Schutzhandschuhe, beispielsweise bei der Montage, der Untersuchung oder der Reinigung der Schneidausrüstung.

## Sicherheitsvorrichtungen am Gerät



**WARNUNG:** Lesen Sie die folgenden Warnhinweise, bevor Sie das Gerät verwenden.

- Verwenden Sie kein Gerät mit Sicherheitsvorrichtungen, die beschädigt sind oder nicht ordnungsgemäß funktionieren.
- Führen Sie regelmäßig eine Überprüfung der Sicherheitsvorrichtungen durch. Wenn die Sicherheitsvorrichtungen beschädigt sind oder nicht ordnungsgemäß funktionieren, wenden Sie sich an den Kundendienst von Husqvarna.
- Führen Sie keine Änderungen an den Sicherheitsvorrichtungen durch.

## So überprüfen Sie den Schneidschutz

Der Schneidschutz verringert Vibrationen im Gerät und das Verletzungsrisiko durch die Klinge.

- Untersuchen Sie die Schneidewerkabdeckung, um sicherzustellen, dass es keine Beschädigungen wie zum Beispiel Risse gibt.

## So führen Sie eine Prüfung des Motorbremsgriffs durch

Der Motorbremsgriff stoppt den Motor. Wenn der Motorbremsgriff losgelassen wird, stoppt der Motor.

- Starten Sie den Motor, und lassen Sie den Motorbremsgriff los. Wenn der Motor nicht innerhalb von 3 Sekunden stoppt, lassen Sie die Motorbremse von einer autorisierten Husqvarna-Servicewerkstatt einstellen. (Abb. 16)

## Schalldämpfer

Der Schalldämpfer senkt den Geräuschpegel so weit wie möglich und hält die Abgase des Motors vom Anwender fern.

Verwenden Sie das Gerät nicht, wenn der Schalldämpfer fehlt oder beschädigt ist. Ein beschädigter Schalldämpfer erhöht den Geräuschpegel und die Brandgefahr.



**WARNUNG:** Der Schalldämpfer wird während und nach Gebrauch und wenn der Motor im Leerlauf läuft, sehr heiß. Seien Sie in der Nähe von entzündlichen Materialien und/oder Dämpfen besonders vorsichtig, um Brandgefahr zu verhindern.

## Sicherer Umgang mit Kraftstoff



**WARNUNG:** Lesen Sie die folgenden Warnhinweise, bevor Sie das Gerät verwenden.

- Starten Sie das Gerät nicht, wenn sich Kraftstoff oder Öl darauf befindet. Entfernen Sie den unerwünschten Kraftstoff bzw. das Öl, und lassen Sie das Gerät trocknen.
- Wechseln Sie sofort die Kleidung, wenn Sie Kraftstoff darauf verschütten.
- Lassen Sie keinen Kraftstoff auf Ihren Körper gelangen, denn dies kann zu Verletzungen führen. Wenn Kraftstoff auf Ihre Haut gelangt, waschen Sie diesen mit Wasser und Seife ab.
- Starten Sie das Gerät nicht, wenn der Motor undicht ist. Überprüfen Sie den Motor regelmäßig auf Undichtigkeiten.
- Gehen Sie vorsichtig mit Kraftstoff um. Kraftstoff ist feuergefährlich, und die Dämpfe sind explosiv und können zu Verletzungen oder sogar zum Tod führen.
- Atmen Sie die Kraftstoffdämpfe nicht ein, denn sie sind gesundheitsschädigend. Achten Sie auf ausreichende Belüftung.
- Rauchen Sie nicht in der Nähe des Kraftstoffs oder des Motors.
- Stellen Sie keine heißen Gegenstände in der Nähe des Kraftstoffs oder Motors ab.
- Füllen Sie keinen Kraftstoff nach, während der Motor läuft.
- Vergewissern Sie sich, dass der Motor abgekühlt ist, bevor Sie Kraftstoff nachfüllen.
- Öffnen Sie vor dem Nachfüllen den Tankdeckel langsam, und lassen Sie den Druck vorsichtig entweichen.
- Füllen Sie keinen Kraftstoff in den Motor, wenn Sie sich in einem Innenraum befinden. Eine mangelhafte Luftzirkulation kann zu schweren oder tödlichen Verletzungen durch Erstickung oder durch eine Kohlenmonoxidvergiftung führen.

- Schrauben Sie den Kraftstofftankdeckel fest zu. Wenn der Tankdeckel nicht fest zugeschraubt ist, besteht Feuergefahr.
- Bewegen Sie das Gerät vor dem Starten mindestens 3 m/10 ft von der Stelle fort, an der Sie den Tank befüllt hatten.
- Füllen Sie den Kraftstofftank nicht vollständig auf. Durch Hitze dehnt sich der Kraftstoff aus. Lassen Sie deshalb einen Freiraum im oberen Bereich des Kraftstofftanks.
- Lagern Sie das Gerät niemals mit Kraftstoff im Kraftstofftank in einem Gebäude, in dem Zündquellen vorhanden sind, wie z. B. Warmwasserbereiter, Raumheizgeräte oder Wäschetrockner. Lassen Sie den Motor abkühlen, bevor das Gerät in einem geschlossenen Raum aufbewahrt wird.

## Sicherheitshinweise für die Wartung



**WARNUNG:** Lesen Sie die folgenden Warnhinweise, bevor Sie das Gerät benutzen.

- Die Abgase des Motors enthalten Kohlenmonoxid, ein geruchloses, giftiges und sehr gefährliches Gas.

- Starten Sie den Motor nicht in Innenräumen oder in geschlossenen Räumen.
- Bevor Sie an dem Produkt eine Wartung durchführen, schalten Sie den Motor aus und ziehen Sie das Zündkabel von der Zündkerze ab.
- Tragen Sie Schutzhandschuhe, wenn Sie an der Schneidausrüstung eine Wartung durchführen. Die Klinge ist sehr scharf und man schneidet sich sehr leicht.
- Zubehörteile und Änderungen am Produkt, die vom Hersteller nicht genehmigt wurden, können zu schweren Verletzungen oder zum Tod führen. Verändern Sie das Produkt nicht. Verwenden Sie immer Teile, die vom Hersteller genehmigt wurden.
- Wenn die Wartung nicht ordnungsgemäß und regelmäßig erfolgt, erhöht sich die Verletzungsgefahr und das Risiko für eine Beschädigung des Produkts.
- Führen Sie die Wartung nur gemäß dieser Betriebsanleitung durch. Alle anderen Wartungsarbeiten müssen von einer autorisierten Husqvarna Servicewerkstatt durchgeführt werden.
- Lassen Sie eine autorisierte Husqvarna Servicewerkstatt das Produkt regelmäßig warten.
- Ersetzen Sie beschädigte, abgenutzte oder defekte Teile.

## Montage

### So montieren Sie den Griff

1. Schieben Sie die Schraube (A) durch den Griff (B), die Kunststoffscheibe (C) und die Griffhalterung (D). (Abb. 17)
2. Ziehen Sie die Mutter (E) vollständig fest.
3. Schieben Sie die Schraube (F) durch die Scheibe (G) und die Griffhalterung.
4. Ziehen Sie den Knopf (H) vollständig fest.
5. Richten Sie die Schraublöcher im Handgriff an den Löchern am unteren Griff aus, und befestigen Sie die Schrauben, Scheiben und Knöpfe. Ziehen Sie die Knöpfe vollständig fest. (Abb. 18)
6. Befestigen Sie die Kabel mit den Kabelhaltern am Griff. (Abb. 19)

**Hinweis:** Stellen Sie sicher, dass die Spannung in den Kabeln nicht zu hoch ist. Eine zu hohe Spannung kann zu Schäden am Kabel führen, wenn sich der Griff in der Transportposition befindet.

7. Legen Sie das Kabel um den Haken an der Unterseite des Griffs. (Abb. 20)

### So stellen Sie die Handgriffhöhe ein

1. Lösen Sie die unteren Drehknöpfe. (Abb. 21)
2. Entfernen Sie links und rechts den Knopf, die Unterlegscheibe und die Schraube.

3. Der Griff kann auf 2 verschiedene Höhen eingestellt werden. Setzen Sie die Schraube in eine der beiden Bohrungen auf der linken und der rechten Seite. (Abb. 22)
4. Befestigen Sie die Schrauben, Unterlegscheiben und die Knöpfe.
5. Bewegen Sie die Flügelmutter nach oben in Richtung Griff, bis Sie den Anschlag erreichen und ein Klicken hören. Ziehen Sie die Knöpfe vollständig fest. (Abb. 23)

### So bringen Sie das Gerät in die Transportposition

1. Entfernen Sie den Grasfänger.
2. Lösen Sie die Knöpfe auf dem oberen Griff, und klappen Sie den Griff nach unten. (Abb. 24)
3. Lösen Sie die unteren Knöpfe.
4. Schieben Sie die Knöpfe zum unteren Ende der Nuten an der linken und rechten Seite des Geräts. (Abb. 25)
5. Klappen Sie den Griff nach vorn. (Abb. 26)

### So bringen Sie das Gerät in die Betriebsposition

1. Heben Sie den Lenker an, bis der untere Griff in die Betriebsposition einrastet. (Abb. 27)

2. Bewegen Sie die Knöpfe nach oben in Richtung Griff, bis sie den Anschlag erreichen und ein Klicken zu hören ist.
3. Ziehen Sie die Knöpfe vollständig fest. (Abb. 28)
4. Ziehen Sie den oberen Teil des Lenkers nach oben.
5. Ziehen Sie die Knöpfe vollständig fest. (Abb. 29)
2. Befestigen Sie den Grasfängerrahmen mit den Klammern. (Abb. 31)
3. Heben Sie die hintere Abdeckung an.
4. Befestigen Sie die Haken am Grasfänger an der Oberkante des Chassis. (Abb. 32)
5. Setzen Sie den unteren Teil des Grasfängers in den Grasaustrittskanal.

## So montieren Sie den Grasfänger

1. Befestigen Sie den oberen Teil des Grasfängers am unteren Teil des Grasfängers. (Abb. 30)

---

## Betrieb

---

### Einleitung



**WARNUNG:** Vor dem Betrieb des Gerätes müssen Sie die Sicherheitsinformationen lesen und verstehen.

### Husqvarna Connect

Husqvarna Connect ist eine kostenlose App für Ihr Mobilgerät. Die Husqvarna Connect App bietet erweiterte Funktionen für Ihr Gerät:

- Erweiterte Produktinformationen
- Informationen über Produktteile und -wartung sowie entsprechende Hilfe dazu.

### So verwenden Sie Husqvarna Connect

1. Laden Sie die Husqvarna Connect App auf Ihr Mobiltelefon.
2. Anmeldung bei der Husqvarna Connect App.
3. Befolgen Sie die Anweisungen in der Husqvarna Connect App, um sich zu verbinden und das Gerät zu registrieren.

### Bevor Sie das Produkt in Betrieb nehmen

1. Lesen Sie die Bedienungsanleitung sorgfältig durch, und vergewissern Sie sich, dass Sie die Anweisungen verstehen.
2. Untersuchen Sie die Schneidausrüstung, um sicherzustellen, dass sie ordnungsgemäß befestigt und eingestellt ist. Siehe *So prüfen Sie die Schneidausrüstung auf Seite 69*.
3. Füllen Sie es in den Kraftstofftank. Siehe *So füllen Sie Kraftstoff ein auf Seite 67*.
4. Füllen Sie den Öltank, und überprüfen Sie den Ölstand. Siehe *So prüfen Sie den Ölstand auf Seite 70*.

### So füllen Sie Kraftstoff ein

Verwenden Sie, falls verfügbar, schadstoffarmes Benzin/Alkylat-Kraftstoff. Wenn schadstoffarmes Benzin/

Alkylat-Kraftstoff nicht verfügbar ist, verwenden Sie ein qualitativ hochwertiges, bleifreies Benzin oder verbleites Benzin mit einer Oktanzahl von mindestens 91.



**ACHTUNG:** Verwenden Sie kein Benzin mit einer geringeren Oktanzahl als 91 RON. Dadurch kann das Gerät beschädigt werden.



**ACHTUNG:** Ersetzen Sie den Kraftstofffilter jährlich oder ggf. häufiger. Einen neuen Kraftstofffilter erhalten Sie bei Ihrem Husqvarna-Händler.



**ACHTUNG:** Stellen Sie den Motor immer ab, bevor Sie mit dem Betanken beginnen.



**ACHTUNG:** Verwenden Sie keine unter Druck stehenden Startflüssigkeiten.

1. Öffnen Sie den Tankdeckel langsam, damit der Druck entweichen kann.
2. Füllen Sie langsam mit einem Kraftstoffkanister auf. Wenn Sie Kraftstoff verschütten, entfernen Sie ihn mit einem Tuch und lassen den verbleibenden Treibstoff trocknen. (Abb. 33)
3. Säubern Sie den Bereich rund um den Tankdeckel.
4. Schrauben Sie den Kraftstofftankdeckel fest zu. Wenn der Tankdeckel nicht fest zugeschraubt ist, besteht Feuergefahr.
5. Bewegen Sie das Gerät vor dem Starten mindestens 3 m/10 ft von der Stelle fort, an der Sie den Tank befüllt hatten.

### So stellen Sie die Schnitthöhe ein

1. Bewegen Sie den Schnitthöhenhebel nach hinten, um die Schnitthöhe zu erhöhen.
2. Bewegen Sie den Schnitthöhenhebel nach vorne, um die Schnitthöhe zu verringern. (Abb. 34)



**ACHTUNG:** Stellen Sie die Schnitthöhe nicht zu niedrig ein. Die Klängen können auf den Boden treffen, wenn die Oberfläche des Rasens nicht eben ist.

## So stoppen Sie das Produkt

- Um nur den Antrieb zu stoppen, lassen Sie den Antriebsgriff los.
- Um den Motor zu stoppen, lassen Sie den Motorbremsgriff los.

## So erhalten Sie ein gutes Arbeitsergebnis

- Benutzen Sie immer eine scharfe Klinge. Eine stumpfe Klinge liefert ein unregelmäßiges Ergebnis, und die Schnittfläche des Grasses wird gelb. Eine scharfe Klinge verbraucht außerdem weniger Energie als eine stumpfe Klinge.
- Schneiden Sie nicht mehr als  $\frac{1}{3}$  der Länge des Grasses ab. Mähen Sie zuerst mit einer hohen Schnitthöhe. Überprüfen Sie das Ergebnis, und senken Sie die Schnitthöhe auf eine entsprechende Stufe. Wenn das Gras sehr lang ist, fahren Sie langsam und mähen bei Bedarf 2-mal.
- Mähen Sie bei jedem Mal in eine andere Richtung, um Streifen auf dem Rasen zu vermeiden.
- Halten Sie die Schneidwerkabdeckung sauber. Ansammlungen von Gras und Schmutz auf der Innenseite der Schneidwerkabdeckung können das Schneidergebnis beeinträchtigen. Siehe *So reinigen Sie die Innenseite der Schneidwerkabdeckung auf Seite 69*.

## So starten Sie das Gerät

1. Stellen Sie sicher, dass das Zündkabel mit der Zündkerze verbunden ist.
2. Halten Sie sich immer hinter dem Gerät auf.
3. Halten Sie den Motorbremsgriff gegen den Lenker. (Abb. 35)
4. Halten Sie den Startseilgriff mit Ihrer rechten Hand.
5. Ziehen Sie langsam das Startseil, bis Sie etwas Widerstand spüren.
6. Ziehen Sie kräftig, um den Motor anzulassen.



**WARNUNG:** Wickeln Sie das Startseil nicht um Ihre Hand.

## So treiben Sie die Räder an

- Drücken Sie den Antriebsgriff in die Richtung des Lenkers. (Abb. 36)
- Lassen Sie den Antriebsgriff los, um den Antrieb zu deaktivieren, z. B. wenn Sie sich einem Hindernis nähern.
- Bevor Sie das Gerät nach hinten ziehen, kuppeln Sie den Antrieb aus und schieben das Gerät ca. 10 cm nach vorne.

# Wartung

## Einleitung



**WARNUNG:** Bevor Sie eine Wartung durchführen, müssen Sie das Kapitel über die Sicherheit lesen und verstehen.

Für alle Wartungs- und Reparaturarbeiten am Produkt ist eine spezielle Schulung erforderlich. Wir garantieren die Verfügbarkeit von professionellen Reparaturen und Wartungsarbeiten. Wenn Ihr Händler keine Servicewerkstatt ist, sprechen Sie mit ihm, um Informationen über die nächste Servicewerkstatt zu erhalten.

Genauere Informationen finden Sie unter .

## Wartungsplan



**ACHTUNG:** Stellen Sie sicher, dass der Luftfilter nach oben und nicht zum Boden hin ausgerichtet ist, wenn Sie das Gerät schräg stellen. Risiko von Motorschäden.

Die Wartungsintervalle werden anhand der täglichen Nutzung des Geräts berechnet. Die Intervalle ändern sich, wenn das Gerät nicht täglich verwendet wird.

Für Wartungsarbeiten, die mit \* gekennzeichnet sind, siehe Anweisungen unter *Sicherheitsvorrichtungen am Gerät auf Seite 65*.

Wartungspunkt	Täglich	Monatlich	Zu jeder Jahreszeit
Eine allgemeine Inspektion durchführen	X		
Den Ölstand prüfen	X		

Wartungspunkt	Taglich	Monatlich	Zu jeder Jahreszeit
Das Ol wechseln (erstmalig nach 5 Betriebsstunden, danach alle 50 Betriebsstunden) <sup>29</sup>			X
Das Gerat reinigen	X		
Die Schneidausrustung prufen	X		
Die Schneidwerkabdeckung prufen *	X		
Den Motorbremsgriff prufen*	X		
Den Schalldampfer prufen *		X	
Die Zundkerze prufen. Die Zundkerze bei Bedarf reinigen oder ersetzen			X
Den Luftfilter prufen	X		
Den Luftfilter reinigen <sup>30</sup>		X	
Den Luftfilter ersetzen			X
Den Kraftstofffilter prufen			X
Die Zylinderkuhlrippen reinigen		X	
Das Kupplungskabel prufen und einstellen (LC 140SP)			X

## So fuhren Sie eine allgemeine Inspektion durch

- Stellen Sie sicher, dass alle Muttern und Schrauben am Gerat richtig angezogen sind.

## So reinigen Sie das Produkt auen

- Verwenden Sie einen Pinsel, um Blatter, Gras und Schmutz zu entfernen.
- Achten Sie darauf, dass der Lufterlass auf der Oberseite des Motors nicht blockiert ist.
- Reinigen Sie das Gerat nicht mit einem Hochdruckreiniger.
- Wenn Sie Wasser verwenden, um das Produkt zu reinigen, bringen Sie das Wasser nicht direkt auf den Motor auf.

## So reinigen Sie die Innenseite der Schneidwerkabdeckung

1. Leeren Sie den Kraftstofftank.
2. Kippen Sie das Gerat. Stellen Sie sicher, dass die Zundkerze nach oben gerichtet ist.



**ACHTUNG:** Wenn das Gerat mit dem Luftfilter nach unten gelegt wird, kann der Motor beschadigt werden.

3. Spritzen Sie die Innenflache der Schneidwerkabdeckung mit dem Wasserschlauch ab.

## So prufen Sie die Schneidausrustung



**WARNUNG:** Um ein unbeabsichtigtes Starten zu vermeiden, entfernen Sie das Zundkabel von der Zundkerze.



**WARNUNG:** Tragen Sie Schutzhandschuhe, wenn Sie an der Schneidausrustung eine Wartung durchfuhren. Die Klinge ist sehr scharf und man schneidet sich sehr leicht.

1. Prufen Sie die Schneidausrustung auf Beschadigungen oder Risse. Wechseln Sie eine beschadigte Schneidausrustung unbedingt aus.
2. Schauen Sie sich die Klinge an, um festzustellen, ob sie beschadigt oder stumpf ist.

<sup>29</sup> Wenn das Gerat mit hoher Last oder bei hohen Umgebungstemperaturen betrieben wird, das Motorol alle 25 Betriebsstunden wechseln.

<sup>30</sup> Bei staubigen Bedingungen oder Schmutzpartikeln in der Luft haufiger reinigen. Den Luftfilter bei starker Verschmutzung ersetzen.

---

**Hinweis:** Nach dem Schärfen muss die Klinge ausbalanciert werden. Lassen Sie eine Servicewerkstatt die Klinge schärfen, ersetzen und ausbalancieren. Wenn Sie auf ein Hindernis treffen, das das Produkt zum Halten bringt, ersetzen Sie die beschädigte Klinge. Lassen Sie die Werkstatt beurteilen, ob die Klinge geschliffen werden kann oder ersetzt werden muss.

---

## So tauschen Sie die Klinge aus

1. Arretieren Sie die Klinge mit einem Holzblock. (Abb. 37)
2. Entfernen Sie die Klingenschraube und die Federscheibe.
3. Entfernen Sie die Klinge.
4. Prüfen Sie die Halterung und den Bolzen der Klinge, um festzustellen, ob Beschädigungen vorliegen.
5. Prüfen Sie die Motorwelle, um sicherstellen, dass sie nicht geknickt ist.
6. Wenn Sie die neue Klinge montieren, zeigen die abgewinkelten Enden der Klinge in die Richtung der Schneidwerkabdeckung. (Abb. 38)
7. Stellen Sie sicher, dass die Klinge an der Mitte der Motorwelle ausgerichtet ist.
8. Arretieren Sie die Klinge mit einem Holzblock. Befestigen Sie die Federscheibe, und ziehen Sie die Schraube und die Unterlegscheibe mit einem Drehmoment von 45–60 Nm an. (Abb. 39)
9. Drehen Sie die Klinge mit der Hand, um sicherzustellen, dass sie sich einwandfrei dreht.



**WARNUNG:** Tragen Sie Sicherheitshandschuhe. Die Klinge ist sehr scharf, und man schneidet sich sehr leicht.

10. Starten Sie das Gerät, um die Klinge zu prüfen. Wenn die Klinge nicht richtig befestigt ist, gibt es im Gerät Vibrationen, oder das Schneidergebnis ist unbefriedigend.

## So prüfen Sie den Ölstand



**ACHTUNG:** Ein zu niedriger Ölstand kann den Motor beschädigen. Überprüfen Sie den Ölstand, bevor Sie das Gerät starten.

1. Stellen Sie das Gerät auf einer ebenen Fläche ab.
2. Entfernen Sie den Öltankdeckel und den montierten Messstab.
3. Reinigen Sie den Messstab von Öl.
4. Tauchen Sie den Messstab vollständig in den Ölbehälter ein, um ein korrektes Bild über den Ölstand zu erhalten. Bringen Sie den Öltankdeckel nicht an.

5. Entfernen Sie den Öltankdeckel und den montierten Messstab.
6. Prüfen Sie den Ölstand am Messstab.
7. Wenn der Ölstand zu niedrig ist, füllen Sie Motoröl nach und kontrollieren den Ölstand erneut. (Abb. 40)

**Hinweis:** Verwenden Sie einen Trichter, um ein Verschütten zu vermeiden.

8. Bringen Sie den Öltankdeckel an, wenn der Ölstand korrekt ist.

## So wechseln Sie das Motoröl



**WARNUNG:** Das Motoröl ist direkt nach dem Abstellen des Motors sehr heiß. Lassen Sie den Motor abkühlen, bevor Sie das Motoröl ablassen. Wenn Motoröl auf Ihre Haut gerät, reinigen Sie diese mit Wasser und Seife.

(Abb. 41)

1. Arbeiten Sie so lange mit dem Gerät, bis der Tank leer ist.
2. Trennen Sie das Zündkabel von der Zündkerze.
3. Entfernen Sie den Öltankdeckel und den montierten Messstab.
4. Stellen Sie einen Behälter unter das Gerät, um das Motoröl aufzufangen.
5. Neigen Sie das Gerät oder lassen Sie das Motoröl mit einer Ölpumpe (Zubehör) aus dem Öltank ab.
6. Füllen Sie ein Motoröl des Typs ein, das empfohlen wird unter *Technische Angaben auf Seite 73*.
7. Prüfen Sie den Ölstand. Siehe *So prüfen Sie den Ölstand auf Seite 70*.
8. Bringen Sie den Öltankdeckel an, wenn der Ölstand korrekt ist.

## So reinigen Sie den Schaumstofffilter



**ACHTUNG:** Starten Sie den Motor nicht ohne Luftfilter. Der Motorverschleiß erhöht sich, wenn die Luft verschmutzt ist.

1. Entfernen Sie den Luftfilterdeckel (A). (Abb. 42)
2. Entfernen Sie die Schaumstofffilter (B).



**ACHTUNG:** Untersuchen Sie die Schaumstofffilter auf Schäden oder Verschleiß. Ersetzen Sie alle beschädigten Schaumstofffilter.

3. Reinigen Sie die Schaumstofffilter mit Seife und Wasser.
4. Spülen Sie die Schaumstofffilter in klarem Wasser ab.

5. Drücken Sie das Wasser aus den Schaumstofffiltern, und lassen Sie sie trocknen.



**ACHTUNG:** Benutzen Sie keine Druckluft. Sie kann den Schaumstofffilter beschädigen.

6. Schmieren Sie die Schaumstofffilter mit Motoröl ein.
7. Drücken Sie ein sauberes Tuch gegen den Schaumstofffilter, um unerwünschtes Öl zu entfernen.
8. Installieren Sie die Schaumlufffilter. Achten Sie darauf, dass die Schaumstofffilter die Luffilterhalterung vollständig abdichten.
9. Installieren Sie den Luffilterdeckel.

## So prüfen Sie die Zündkerze



**ACHTUNG:** Verwenden Sie stets den vom Hersteller empfohlenen Zündkerzentyp! Die Verwendung eines falschen Zündkerzentyps kann zu Schäden am Gerät führen.

- Überprüfen Sie die Zündkerze, wenn der Motor nur schwache Leistung bringt, sich nur schwer starten lässt oder im Leerlauf nicht ordnungsgemäß läuft.
- Wenn Sie diese Anweisungen befolgen, verringern Sie die Gefahr von unerwünschtem Material an den Elektroden der Zündkerze:
  - a) Stellen Sie sicher, dass die Leerlaufdrehzahl richtig eingestellt ist.
  - b) Vergewissern Sie sich, dass das Kraftstoffgemisch korrekt ist.
  - c) Vergewissern Sie sich, dass der Luftfilter sauber ist.
- Ist die Zündkerze verschmutzt, so ist sie zu reinigen; gleichzeitig ist zu prüfen, ob der Elektrodenabstand korrekt ist, siehe *Technische Daten auf Seite 73*. (Abb. 43)
- Ersetzen Sie die Zündkerze bei Bedarf.

## So prüfen Sie die Kraftstoffanlage

- Prüfen Sie den Kraftstofftankdeckel und die Dichtung für den Tankdeckel, um sicherzustellen, dass keine Beschädigungen vorliegen.
- Untersuchen Sie den Kraftstoffschlauch, um sicherzustellen, dass keine undichten Stellen vorhanden sind. Wenn der Schlauch beschädigt ist, lassen Sie ihn durch eine Servicewerkstatt austauschen.

## So leeren Sie den Kraftstofftank

1. Stellen Sie einen Behälter unter den Kraftstofftank.
2. Entfernen Sie den Kraftstofftankdeckel.
3. Drücken Sie die Schlauchschellen am Kraftstoffschlauch gegen den Vergaser.

4. Ziehen Sie den Kraftstoffschlauch vom Vergaser ab.
5. Stecken Sie den Kraftstoffschlauch in den Behälter und entfernen Sie die Schlauchschellen.
6. Kippen Sie das Gerät, und lassen Sie den Kraftstoff in den Behälter ab.

## So ersetzen Sie den Kraftstofffilter



**WARNUNG:** Tragen Sie stets Schutzhandschuhe.

1. Leeren Sie den Kraftstofftank.
2. Schieben Sie den Schlauchhalter vom Kraftstofftank weg. (Abb. 44)
3. Entfernen Sie den Kraftstoffschlauch vom Kraftstofftank. Eine geringe Menge Kraftstoff kann auslaufen. (Abb. 45)
4. Entfernen Sie den Kraftstofffilter vom Kraftstofftank. (Abb. 46)
5. Installieren Sie einen neuen Kraftstofffilter im Kraftstofftank.
6. Befestigen Sie den Kraftstoffschlauch am Kraftstofftank.
7. Bringen Sie den Schlauchhalter am Kraftstofftank in die richtige Position.

## So passen Sie das Kupplungsseil an (LC 140SP)

In nachfolgenden Situationen muss die Länge des Kupplungsseils verringert werden:

- Der Antrieb der Räder wird nicht aktiviert, wenn Sie am Antriebsgriff oder am Drehzahlregelungshebel ziehen.
- Das Gerät bewegt sich langsam, wenn der Antrieb der Räder aktiviert ist.

In den nachfolgenden Situationen muss die Länge des Kupplungsseils verlängert werden:

- Das Gerät bewegt sich, wenn der Antrieb der Räder nicht aktiviert ist.
- Passen Sie das Kupplungsseil an.
  - a) Um die Länge des Kupplungsseils zu verringern, drehen Sie die Stellschraube gegen den Uhrzeigersinn.
  - b) Um die Länge des Kupplungsseils zu vergrößern, drehen Sie die Stellschraube im Uhrzeigersinn. (Abb. 47)

Wenn das Gerät auch nach den Anpassungen nicht zufriedenstellend läuft, wenden Sie sich an Ihren Servicehändler.

## Fehlersuche am Motor

Problem	Mögliche Ursache	Lösung
Der Motor springt nicht an.	Das Zündkabel ist nicht richtig angeschlossen.	Das Zündkabel an die Zündkerze anschließen.
	Der Kraftstofftank ist leer.	Den Kraftstofftank mit dem richtigen Kraftstofftyp auffüllen.
	Der Kraftstoff ist alt.	Den Kraftstofftank und den Vergaser leeren. Frischen Kraftstoff nachfüllen.
	Es befindet sich Schmutz im Vergaser oder in der Kraftstoffleitung.	Den Vergaser bzw. die Kraftstoffleitung reinigen.
	Die Zündkerze ist beschädigt.	Den Elektrodenabstand korrigieren und die Zündkerze reinigen oder ersetzen.
	An der Zündkerze befindet sich Kraftstoff.	Die Zündkerze reinigen.
Der Motor stoppt nicht.	Der Stoppmechanismus funktioniert nicht korrekt.	Das Zündkabel von der Zündkerze abziehen. Die Reparatur von einer autorisierten Servicewerkstatt durchführen lassen.
Der Motor läuft nicht rund.	Das Zündkabel ist nicht richtig angeschlossen.	Das Zündkabel an die Zündkerze anschließen.
	Es befindet sich Schmutz in der Kraftstoffleitung, oder der Kraftstoff ist abgelaufen.	Die Kraftstoffleitung reinigen. Den Kraftstofftank mit frischem Kraftstoff des richtigen Typs auffüllen.
	Der Kraftstofftankdeckel ist verstopft.	Den Kraftstofftankdeckel reinigen.
	Es befindet sich Wasser oder Schmutz im Kraftstoffsystem.	Leeren Sie den Kraftstofftank. Den Kraftstofftank mit frischem Kraftstoff des richtigen Typs auffüllen.
	Der Luftfilter ist verschmutzt.	Den Luftfilter reinigen.
	Der Vergaser muss eingestellt werden.	Den Vergaser von einem Servicehändler einstellen lassen.
Der Motor wird zu heiß.	Der Motorölstand ist zu niedrig.	Motoröl nachfüllen.
	Der Luftstrom ist zu schwach.	Den Luftfilter und das Luftfiltergehäuse reinigen.
	Der Vergaser muss eingestellt werden.	Den Vergaser von einem Servicehändler einstellen lassen.
Es kommt zu Fehlzündungen, wenn der Motor bei hoher Drehzahl läuft.	Der Elektrodenabstand in der Zündkerze ist zu gering.	Den Elektrodenabstand einstellen.
Ungewöhnliche Motorgeräusche bei normaler Belastung.	Falscher Kraftstofftyp.	Den Kraftstofftank und den Vergaser leeren. Frischen Kraftstoff nachfüllen. Siehe <i>So füllen Sie Kraftstoff ein auf Seite 67</i> . Wenn das Problem weiterhin besteht, einen Servicehändler vor Ort kontaktieren.



Problem	Mögliche Ursache	Lösung
Der Motor läuft bei Leerlaufdrehzahl nicht gleichmäßig.	Die Zündkerze ist verschmutzt oder beschädigt, oder der Elektrodenabstand ist zu groß.	Den Elektrodenabstand korrigieren oder eine andere Zündkerze verwenden.
	Der Vergaser muss eingestellt werden.	Den Vergaser einstellen.
	Der Luftfilter ist verschmutzt.	Den Luftfilter reinigen.

## Transport, Lagerung und Entsorgung

### Transport und Lagerung

- Für die Lagerung und den Transport des Produkts und des Kraftstoffs ist darauf zu achten, dass keine Lecks oder Dämpfe vorhanden sind. Funken oder offene Flammen, zum Beispiel von elektrischen Geräten oder einem Boiler, können ein Feuer auslösen.
- Verwenden Sie für die Lagerung und den Transport von Kraftstoff immer zugelassene Behälter.
- Leeren Sie den Kraftstofftank, bevor Sie das Produkt über einen längeren Zeitraum einlagern. Entsorgen Sie den Kraftstoff in einer geeigneten Abfallentsorgungsstelle.
- Sichern Sie das Produkt während des Transports ab, um Schäden und Unfälle zu vermeiden.

- Bewahren Sie das Produkt in einem verschlossenen Bereich auf, um einen unerlaubten Zugriff durch Kinder oder andere Personen zu verhindern.
- Bewahren Sie das Produkt an einem trockenen und frostfreien Raum auf.

### Entsorgung

- Befolgen Sie die örtlichen Recyclinganforderungen und geltenden Vorschriften.
- Entsorgen Sie alle Chemikalien, z. B. Motoröl oder Kraftstoff, in einer Servicewerkstatt oder in einer geeigneten Abfallentsorgungsstelle.
- Wenn Sie das Produkt nicht mehr benutzen, senden Sie es an einen Husqvarna Händler oder entsorgen Sie es in einer Wiederverwertungsanlage.

## Technische Angaben

### Technische Daten

	LC 140P	LC 140SP
<b>Motor</b>		
Marke	Husqvarna	Husqvarna
Name des Motormodells	HS 123A	HS 123A
Motortyp	Einzylinder, 4-Takt, Zwangsluftkühlung, OHV	Einzylinder, 4-Takt, Zwangsluftkühlung, OHV
Hubraum, cm <sup>3</sup>	123	123
Drehzahl, U/min	3000	3000
Nennleistung des Motors, kW <sup>31</sup>	1,95	1,95
<b>Zündanlage</b>		

<sup>31</sup> Die Motornennleistung ist die durchschnittlich nach SAE-Standard J1349/ISO1585 gemessene Nettoleistung eines typischen Motors aus der Produktion, die (bei einer bestimmten Drehzahl) an das Motormodell abgegeben wird. Motoren für die Massenproduktion können von diesem Wert abweichen. Die tatsächliche Ausgangsleistung des eingebauten Motors hängt von der Betriebsdrehzahl, den Umgebungsbedingungen und anderen Werten ab.

	LC 140P	LC 140SP
Zündkerze	Husqvarna HQT-7	Husqvarna HQT-7
Elektrodenabstand, mm	0,7-0,8	0,7-0,8
<b>Kraftstoff- und Schmiersystem</b>		
Motorschmierng Typ	Splash	Splash
Füllmenge Kraftstofftank, Liter	0,9	0,9
Füllmenge Öltank, Liter	0,5	0,5
Motoröl <sup>32</sup>	Husqvarna SAE 30, Husqvarna SAE 5W-30 Synthetic, Husqvarna SAE 10W-40	Husqvarna SAE 30, Husqvarna SAE 5W-30 Synthetic, Husqvarna SAE 10W-40
<b>Gewicht</b>		
Mit leeren Tanks, kg	25,2	26,8
<b>Geräuschemissionen</b> <sup>33</sup>		
Schalleistungspegel, gemessen, dB (A)	93	93
Schalleistungspegel, garantiert L <sub>WA</sub> dB (A)	94	94
<b>Schallpegel</b> <sup>34</sup>		
Schalldruckpegel am Ohr des Bedieners, dB (A)	82	82
<b>Vibrationspegel</b> <sup>35</sup>		
Vibrationen Lenker, m/s <sup>2</sup>	5,6	7,6
<b>Schneidausrüstung</b>		
Schnitthöhe, mm	25-75	25-75
Schnittbreite, mm	400	400
Schneidsystem	Fangsack/Heckauswurf	Fangsack/Heckauswurf
Klingen – Standard	Fangsack 5873863-10	Fangsack 5873863-10
Grasfängervolumen, Liter	50	50
<b>Antrieb</b>		
Eigene Gehgeschwindigkeit, km/h	–	4

<sup>32</sup> Verwenden Sie Motoröl der Qualität API SJ oder höher. Wird SAE-30-Öl bei Temperaturen unter +5 °C verwendet, besteht die Gefahr, dass der Motor nicht ausreichend geschmiert wird. Dadurch können schwere Motorschäden entstehen. Hinweise zur Verwendung des richtigen Öls bei niedrigen Temperaturen finden Sie unter *So wechseln Sie das Motoröl auf Seite 70*. Schauen Sie in der Viskositätstabelle im Motorhandbuch (falls vorhanden) nach, und wählen Sie die beste Viskosität je nach erwarteter Außentemperatur aus.

<sup>33</sup> Umweltbelastende Geräuschemissionen, gemessen als Schalleistung (L<sub>WA</sub>) gemäß EG-Richtlinie 2000/14/EG.

<sup>34</sup> Berichten zufolge liegt der Schalldruckpegel normalerweise bei einer Ausbreitungsklasse (Standardabweichung) von 1,2 dB (A).

<sup>35</sup> Berichten zufolge liegt der Vibrationspegel normalerweise bei einer Ausbreitungsklasse (Standardabweichung) von 0,2 m/s<sup>2</sup>.

# Konformitätserklärung

## EU-Konformitätserklärung

Die **Husqvarna AB**, SE-561 82 Huskvarna, Schweden,  
Tel.: +46-36-146500, erklärt in alleiniger Verantwortung,  
dass das Gerät:

<b>Beschreibung</b>	Rasenmäher
<b>Marke</b>	Husqvarna
<b>Typ/Modell</b>	LC 140P, LC 140SP
<b>Identifizierung</b>	Seriennummern ab 2022

die folgenden EU-Richtlinien und -Verordnungen erfüllt:

<b>Verordnung</b>	<b>Beschreibung</b>
2006/42/EG	„Maschinenrichtlinie“
2014/30/EG	„EMV-Richtlinie“
2000/14/EG	„über umweltbelastende Geräuschemissionen von zur Verwendung im Freien vorgesehenen Geräten und Maschinen“
2011/65/EG	„zur Beschränkung der Verwendung bestimmter gefährlicher Stoffe in Elektro- und Elektronikgeräten“

und dass die folgenden Normen und/oder technischen  
Daten angewendet werden: EN ISO 5395-1:2013/  
A1:2018, EN ISO 5395-2:2013/A1:2016/A2:2017, EN  
ISO 14982:2009, EN IEC 63000:2018

Benannte Stelle: 0404, RISE SMP Svensk  
Maskinprovning AB, Box 4053, SE-904 03 Umeå,  
Schweden bestätigt die Konformität mit der Richtlinie  
2000/14/EG, Konformitätsbewertungsverfahren nach:  
Anhang VI.

Informationen zu Geräuschemissionen finden Sie unter  
*Technische Angaben auf Seite 73.*

Huskvarna, 2022-09-27



Claes Losdal, Entwicklungsleiter/Gartenprodukte,  
Husqvarna AB

Verantwortlich für die technische Dokumentation



## Περιεχόμενα

Εισαγωγή.....	76	Αντιμετώπιση προβλημάτων κινητήρα.....	86
Ασφάλεια.....	77	Μεταφορά, αποθήκευση και απόρριψη.....	87
Συναρμολόγηση.....	80	Τεχνικά στοιχεία.....	87
Λειτουργία.....	81	Δήλωση Συμμόρφωσης.....	90
Συντήρηση.....	82		

## Εισαγωγή

### Περιγραφή προϊόντος

Το προϊόν είναι ένα χλοοκοπτικό γκαζόν πεζού χειριστή με κύλινδρο. Το γρασίδι συλλέγεται σε έναν συλλέκτη χόρτου. Αφαιρέστε το συλλέκτη χόρτου για να εξαγάγετε το χόρτο από την πίσω πλευρά.

### Επισκόπηση προϊόντος

(Εικ. 1)

1. Λαβή / χειρολαβή
2. Ασφάλεια οδήγησης (LC 140SP)
3. Λαβή εκκίνησης
4. Συλλέκτης χόρτου
5. Ντεπόζιτο καυσίμου
6. Φίλτρο αέρα
7. Μπουζί
8. Κάλυμμα κοπής
9. Εξάτμιση (σιγαστήρας)
10. Τάπα ντεπόζιτου λαδιού
11. Μοχλός ρύθμισης του ύψους κοπής
12. Πίσω κάλυμμα
13. Λαβή φρένου κινητήρα
14. Σύμβολα
15. Διάταξη κάτω λαβής
16. Κάτω λαβή
17. Εγχειρίδιο χρήσης
18. Χωνί λαδιού

### Σύμβολα στο προϊόν

(Εικ. 2) ΠΡΟΕΙΔΟΠΟΙΗΣΗ! Να είστε προσεκτικοί και να χρησιμοποιείτε το προϊόν σωστά. Αυτό το προϊόν μπορεί να προκαλέσει σοβαρό τραυματισμό ή θάνατο του χειριστή ή άλλων ατόμων.

(Εικ. 3) Προτού χρησιμοποιήσετε το προϊόν, διαβάστε το εγχειρίδιο χρήσης προσεκτικά και βεβαιωθείτε ότι έχετε κατανοήσει τις οδηγίες.

(Εικ. 4) Προσέχετε για αντικείμενα που μπορεί να εκτοξευθούν ή να εξοστρακιστούν.

### Προβλεπόμενη χρήση

Χρησιμοποιήστε το προϊόν για την κοπή γρασιδιού. Μην χρησιμοποιείτε το προϊόν για άλλες εργασίες.

(Εικ. 5) Διατηρήστε τα άλλα άτομα και τα ζώα σε απόσταση ασφαλείας από την περιοχή εργασίας.

(Εικ. 6) Προειδοποίηση: Να διατηρείτε τα χέρια και τα πόδια σας μακριά από την περιστρεφόμενη λεπίδα.

(Εικ. 7) Προειδοποίηση: Να διατηρείτε τα χέρια και τα πόδια σας μακριά από κινούμενα μέρη.

(Εικ. 8) Προτού πραγματοποιήσετε οποιαδήποτε εργασία επισκευής ή συντήρησης, σταματήστε τον κινητήρα και αφαιρέστε το καλώδιο ανάφλεξης.

(Εικ. 9) Αυτό το προϊόν συμμορφώνεται με τις ισχύουσες οδηγίες ΕΚ.

(Εικ. 10) Ετικέτα εκπομπών θορύβου στο περιβάλλον σύμφωνα με οδηγίες και κανονισμούς της ΕΕ και του Η.Β. και τη νομοθεσία της Νότιας Νέας Ουαλίας "Κανονισμός για την προστασία των περιβαλλοντικών δράσεων (έλεγχος θορύβου) του 2017". Η εγγυημένη στάθμη ηχητικής ισχύος του προϊόντος καθορίζεται στην ενότητα *Τεχνικά στοιχεία στη σελίδα 87* και στην ετικέτα.

(Εικ. 11) Αυτό το προϊόν συμμορφώνεται με τις ισχύουσες οδηγίες του Η.Β.

(Εικ. 12) Κίνδυνος πυρκαγιάς.

(Εικ. 13) Μην εισπνεύετε τις αναθυμιάσεις της εξάτμισης. Οι αναθυμιάσεις της εξάτμισης από τον κινητήρα περιέχουν μονοξείδιο

του άνθρακα, ένα άοσμο, δηλητηριώδες και ιδιαίτερα επικίνδυνο αέριο. Να μην εκκινείτε τον κινητήρα σε εσωτερικούς ή κλειστούς χώρους.

κινητήρα ακυρώνει την έγκριση τύπου ΕΕ αυτού του προϊόντος.

(Εικ. 14) Καυτή επιφάνεια.

(Εικ. 15) Γεμίστε τον κινητήρα με λάδι προτού θέσετε σε λειτουργία το προϊόν.

**Περιεχόμενα** Άλλα σύμβολα/σήματα που υπάρχουν στο προϊόν αναφέρονται σε απαιτήσεις πιστοποίησης για ορισμένες εμπορικές περιοχές.

## Εκπομπές Euro V



**ΠΡΟΕΙΔΟΠΟΙΗΣΗ:** Οποιαδήποτε μη εξουσιοδοτημένη παρέμβαση στον

## Ασφάλεια

### Ορισμοί για την ασφάλεια

Για την επισήμανση ειδικών σημαντικών τμημάτων του εγχειριδίου χρησιμοποιούνται προειδοποιήσεις, συστάσεις προσοχής και σημειώσεις.



**ΠΡΟΕΙΔΟΠΟΙΗΣΗ:** Χρησιμοποιείται όταν υπάρχει κίνδυνος τραυματισμού ή θανάτου του χειριστή ή άλλων παριστάμενων ατόμων, αν δεν τηρηθούν οι οδηγίες που παρέχονται στο εγχειρίδιο.



**ΠΡΟΣΟΧΗ:** Χρησιμοποιείται όταν υπάρχει κίνδυνος πρόκλησης ζημιάς στο προϊόν, σε άλλα υλικά ή στον παρακείμενο χώρο, αν δεν τηρηθούν οι οδηγίες που παρέχονται στο εγχειρίδιο.

**Περιεχόμενα** Χρησιμοποιείται για παροχή περισσότερων πληροφοριών, οι οποίες χρειάζονται σε μια δεδομένη κατάσταση.

### Γενικές οδηγίες ασφαλείας



**ΠΡΟΕΙΔΟΠΟΙΗΣΗ:** Προτού χρησιμοποιήσετε το προϊόν, διαβάστε τις παρακάτω προειδοποιητικές οδηγίες.

- Αυτό το προϊόν είναι επικίνδυνο αν δεν χρησιμοποιηθεί σωστά ή αν δεν είστε προσεκτικοί. Αν δεν τηρείτε τις οδηγίες ασφαλείας, μπορεί να προκληθεί τραυματισμός ή θάνατος.

### Ζημιά στο προϊόν

Δεν φέρουμε ευθύνη για ζημιές στο προϊόν μας εάν:

- Το προϊόν έχει επισκευαστεί λανθασμένα.
- Το προϊόν έχει επισκευαστεί με εξαρτήματα που δεν προέρχονται από τον κατασκευαστή ή που δεν έχουν εγκριθεί από τον κατασκευαστή.
- Το προϊόν διαθέτει ένα αξεσουάρ που δεν προέρχεται από τον κατασκευαστή ή που δεν έχει εγκριθεί από τον κατασκευαστή.
- Το προϊόν δεν έχει επισκευαστεί σε εγκεκριμένο κέντρο σέρβις ή από εγκεκριμένη αρχή.

- Αυτό το προϊόν παράγει ηλεκτρομαγνητικό πεδίο κατά τη λειτουργία του. Το πεδίο αυτό, υπό ορισμένες συνθήκες, μπορεί να προκαλέσει παρεμβολές σε ενεργά ή παθητικά ιατρικά εμφυτεύματα. Για να μειωθεί ο κίνδυνος σοβαρών ή θανατηφόρων τραυματισμών, συνιστούμε στα άτομα με ιατρικά εμφυτεύματα να συμβουλευούνται τον θεράποντα ιατρό τους και τον κατασκευαστή του ιατρικού εμφυτεύματος, προτού θέσουν το προϊόν σε λειτουργία.
- Πρέπει πάντα να προσέχετε και να χρησιμοποιείτε την κοινή λογική. Αν δεν είστε βέβαιοι πώς να χειριστείτε το προϊόν σε μια ιδιαίτερη κατάσταση, σταματήστε και μιλήστε με τον αντιπρόσωπο της Husqvarna προτού συνεχίσετε.
- Πρέπει να θυμάστε ότι ο χειριστής θεωρείται υπεύθυνος για ατυχήματα που μπορεί να προκληθούν σε άλλα άτομα ή στην περιουσία τους.
- Να διατηρείτε το προϊόν καθαρό. Βεβαιωθείτε ότι μπορείτε να διαβάσετε καθαρά τις ενδείξεις και τα σήματα.
- Μην επιτρέπετε σε κανένα άτομο να χρησιμοποιήσει το προϊόν αν δεν βεβαιωθείτε ότι έχει διαβάσει και κατανοήσει τα περιεχόμενα του εγχειριδίου χρήσης.
- Μην επιτρέψετε σε παιδιά να χρησιμοποιήσουν το προϊόν.
- Μην αφήνετε να πλησιάσουν παιδιά στην περιοχή εργασίας. Πρέπει να είναι παρών ένας υπεύθυνος ενήλικας ανά πάσα στιγμή.
- Μην επιτρέψετε σε άτομα που δεν έχουν διαβάσει τις οδηγίες να χρησιμοποιήσουν το προϊόν.
- Αν το προϊόν χρησιμοποιείται από ένα άτομο με μειωμένη σωματική ή διανοητική ικανότητα, θα

πρέπει πάντα να το επιβλέπτετε. Πρέπει να είναι παρών ένας υπεύθυνος ενήλικας ανά πάσα στιγμή.

- Μην χρησιμοποιείτε το προϊόν, αν είστε κουρασμένοι, άρρωστοι ή υπό την επήρεια αλκοόλ, ναρκωτικών ή φαρμάκων. Αυτά έχουν αρνητικές συνέπειες στην όραση, την αυτοσυγκέντρωση, τον συντονισμό και την κρίση σας.
- Μην χρησιμοποιείτε το προϊόν εάν έχει υποστεί ζημιά ή δεν λειτουργεί σωστά.
- Μην τροποποιείτε το προϊόν και μην το χρησιμοποιείτε αν είναι εμφανές ότι έχει τροποποιηθεί από άλλους.
- Μην αλλάζετε τη ρύθμιση του χειριστηρίου στροφών κινητήρα.

## Ασφάλεια στο χώρο εργασίας



**ΠΡΟΕΙΔΟΠΟΙΗΣΗ:** Προτού χρησιμοποιήσετε το προϊόν, διαβάστε τις παρακάτω προειδοποιητικές οδηγίες.

- Αφαιρέστε αντικείμενα όπως κλαδιά, κλωνάρια και πέτρες από την περιοχή εργασίας πριν χρησιμοποιήσετε το προϊόν.
- Τα αντικείμενα που χτυπούν πάνω στον εξοπλισμό κοπής μπορεί να πεταχτούν και να προκαλέσουν ζημιές σε πρόσωπα και αντικείμενα. Να διατηρείτε τους παρευρισκόμενους και τα ζώα σε απόσταση ασφαλείας από το προϊόν.
- Μην χρησιμοποιείτε ποτέ το προϊόν σε κακές καιρικές συνθήκες, όπως ομίχλη, βροχή, ισχυρό άνεμο, έντονο κρύο και κίνδυνο κεραυνού. Η χρήση του προϊόντος σε κακές καιρικές συνθήκες, σε συνθήκες υγρασίας ή σε υγρές τοποθεσίες είναι εξαιρετικά κουραστική. Οι κακές καιρικές συνθήκες μπορεί να προκαλέσουν επικίνδυνες καταστάσεις, όπως ολισθηρές επιφάνειες.
- Να προσέχετε για πρόσωπα, αντικείμενα και καταστάσεις που μπορεί να αποτρέψουν την ασφαλή λειτουργία του προϊόντος.
- Να προσέχετε για εμπόδια, όπως ρίζες, πέτρες, κλωνάρια, λακούβες και χαντάκια. Το μακρύ γρασίδι μπορεί να κρύβει εμπόδια.
- Η κοπή χόρτου σε πλαγιές μπορεί να είναι επικίνδυνη. Μην χρησιμοποιείτε το προϊόν σε πλαγιές με κλίση πάνω από 15°.
- Να κατευθύνετε το προϊόν κατά πλάτος στις επιφάνειες με κλίση. Να μην μετακινείστε προς τα πάνω και προς τα κάτω.
- Να είστε ιδιαίτερα προσεκτικοί κοντά σε κρυφές γωνίες και αντικείμενα που εμποδίζουν το οπτικό σας πεδίο.
- Να χρησιμοποιείτε το προϊόν μόνο για την κοπή χόρτου γκαζόν. Δεν επιτρέπεται η χρήση του για άλλες εργασίες.
- Χρησιμοποιείτε ατομικό προστατευτικό εξοπλισμό. Ανατρέξτε στην ενότητα *Προσωπικός εξοπλισμός προστασίας στη σελίδα 79*.
- Βεβαιωθείτε ότι γνωρίζετε πώς να σταματήσετε τον κινητήρα γρήγορα σε περίπτωση έκτακτης ανάγκης.
- Μην εκκινείτε ποτέ τον κινητήρα μέσα σε κλειστό χώρο ή κοντά σε εύφλεκτα υλικά. Τα καυσαέρια του κινητήρα είναι ζεστά και ενδέχεται να έχουν σπινθήρες που μπορεί να προκαλέσουν πυρκαγιά.
- Μην λειτουργείτε το προϊόν αν δεν είναι σωστά συνδεδεμένη η λεπίδα και όλα τα καλύμματα. Αν η λεπίδα δεν είναι σωστά συνδεδεμένη, μπορεί να χαλαρώσει και να προκληθεί προσωπικός τραυματισμός.
- Να βεβαιώνετε ότι ο δίσκος δεν χτυπάει αντικείμενα, όπως πέτρες και ρίζες. Αυτό μπορεί να κάνει ζημιά στη λεπίδα και να λυγίσει τον άξονα του κινητήρα. Ο λυγισμένος άξονας προκαλεί ισχυρή δόνηση και πολύ υψηλό κίνδυνο χαλάρωσης της λεπίδας.
- Σε περίπτωση πρόσκρουσης της λεπίδας σε αντικείμενο ή αν διαπιστώσετε κραδασμούς, διακόψτε αμέσως τη λειτουργία του προϊόντος. Αφαιρέστε το καλώδιο ανάφλεξης από το μπουζί. Ελέγξτε το προϊόν για ζημιές. Επισκευάστε τις ζημιές ή αναθέστε την επισκευή σε έναν εξουσιοδοτημένο αντιπρόσωπο σέρβις.
- Μην συνδέετε ποτέ μόνια τη λαβή φρένου κινητήρα στη χειρολαβή κατά την εκκίνηση του κινητήρα.
- Τοποθετήστε το προϊόν σε μια σταθερή, επίπεδη επιφάνεια και εκκινήστε το. Να βεβαιώνετε ότι η λεπίδα δεν χτυπάει στο έδαφος ή σε άλλα αντικείμενα.
- Να παραμένετε πάντα πίσω από το προϊόν κατά τη λειτουργία.
- Κατά τη λειτουργία του προϊόντος, θα πρέπει όλοι οι τροχοί να ακουμπούν στο έδαφος και να διατηρείτε και τα 2 χέρια πάνω στη λαβή. Διατηρήστε τα χέρια και τα πόδια σας μακριά από τις περιστρεφόμενες λεπίδες.
- Μην γέρνετε το προϊόν όταν εκκινείται ο κινητήρας.
- Να είστε προσεκτικοί όταν τραβάτε το προϊόν προς τα πίσω.
- Να μην ανασηκώνετε ποτέ το προϊόν όταν εκκινείται ο κινητήρας. Αν πρέπει να ανασηκώσετε το προϊόν, σβήστε πρώτα τον κινητήρα και αποσυνδέστε το καλώδιο ανάφλεξης από το μπουζί.
- Να μην περπατάτε προς τα πίσω όταν χρησιμοποιείτε το προϊόν.
- Να σβήνετε τον κινητήρα όταν μετακινείστε σε περιοχές χωρίς χόρτα, για παράδειγμα μονοπάτια από χαλίκι, πέτρα και άσφαλο.
- Μην τρέχετε με το προϊόν όταν εκκινείται ο κινητήρας. Να περπατάτε πάντα προς τα εμπρός όταν χρησιμοποιείτε το προϊόν.

## Ασφάλεια στην εργασία



**ΠΡΟΕΙΔΟΠΟΙΗΣΗ:** Προτού χρησιμοποιήσετε το προϊόν, διαβάστε τις παρακάτω προειδοποιητικές οδηγίες.

- Να σβήνετε τον κινητήρα προτού αλλάξετε το ύψος κοπής. Μην προβείτε ποτέ σε τροποποιήσεις με τον κινητήρα σε λειτουργία.
- Μην αφήνετε ποτέ το προϊόν εκτός ορατότητας με τον κινητήρα σε λειτουργία. Να σβήνετε τον κινητήρα και να βεβαιώνετε ότι το παρελκόμενο κοπής δεν περιστρέφεται.

## Οδηγίες ασφαλείας για τη λειτουργία

### Προσωπικός εξοπλισμός προστασίας



**ΠΡΟΕΙΔΟΠΟΙΗΣΗ:** Προτού χρησιμοποιήσετε το προϊόν, διαβάστε τις παρακάτω προειδοποιητικές οδηγίες.

- Ο προσωπικός εξοπλισμός προστασίας δεν μπορεί να εξαλείψει τον κίνδυνο τραυματισμών, ωστόσο μειώνει τη σοβαρότητά τους σε περίπτωση ατυχήματος. Ο αντιπρόσωπος θα σας βοηθήσει να επιλέξετε το σωστό εξοπλισμό.
- Να χρησιμοποιείτε προστατευτικά ακοής, εάν το επίπεδο θορύβου είναι υψηλότερο από 85 dB.
- Να χρησιμοποιείτε αντιολισθητικές μπότες ή παπούτσια βαρέος τύπου. Να μην χρησιμοποιείτε το προϊόν με ανοιχτά παπούτσια ή ζυπόλυτο.
- Χρησιμοποιήστε χοντρά, μακριά παντελόνια.
- Όταν χρειάζεται, να χρησιμοποιείτε προστατευτικά γάντια, για παράδειγμα κατά την τοποθέτηση, την επιθεώρηση ή τον καθαρισμό του εξοπλισμού κοπής.

### Συσκευές ασφαλείας στο προϊόν



**ΠΡΟΕΙΔΟΠΟΙΗΣΗ:** Προτού χρησιμοποιήσετε το προϊόν, διαβάστε τις παρακάτω προειδοποιητικές οδηγίες.

- Μην χρησιμοποιείτε το προϊόν με συσκευές ασφαλείας που έχουν υποστεί ζημιά ή δεν λειτουργούν σωστά.
- Πρέπει να κάνετε τακτικά έλεγχο των συσκευών ασφαλείας. Εάν οι συσκευές ασφαλείας έχουν υποστεί ζημιά ή δεν λειτουργούν σωστά, απευθυνθείτε στον αντιπρόσωπο σέρβις της Husqvarna.
- Μην κάνετε τροποποιήσεις στις συσκευές ασφαλείας.

### Για τον έλεγχο του καλύμματος κοπής

Το κάλυμμα κοπής μειώνει τους κραδασμούς στο προϊόν και μειώνεται ο κίνδυνος τραυματισμού από τη λεπίδα.

- Εξετάστε το κάλυμμα κοπής για να βεβαιωθείτε ότι δεν υπάρχουν φθορές όπως ρωγμές.

### Για τον έλεγχο της λαβής φρένου του κινητήρα

Η λαβή του φρένου κινητήρα σταματάει τον κινητήρα. Όταν απελευθερωθεί η λαβή του φρένου κινητήρα, ο κινητήρας σταματάει.

- Εκκινήστε τον κινητήρα και αφήστε τη λαβή του φρένου του κινητήρα. Αν ο κινητήρας δεν σταματά σε 3 δευτερόλεπτα, αναθέστε τη ρύθμιση του φρένου κινητήρα σε έναν εγκεκριμένο αντιπρόσωπο σέρβις Husqvarna. (Εικ. 16)

### Σιαστήρας

Ο σιαστήρας διατηρεί τα επίπεδα θορύβου στο ελάχιστο και κατευθύνει τις αναθυμιάσεις της εξάτμισης μακριά από τον χειριστή.

Μην χρησιμοποιείτε το προϊόν, αν ο σιαστήρας λείπει ή έχει καταστραφεί. Ο κατεστραμμένος σιαστήρας αυξάνει το επίπεδο θορύβου και τον κίνδυνο φωτιάς.



**ΠΡΟΕΙΔΟΠΟΙΗΣΗ:** Ο σιαστήρας θερμαίνεται πολύ κατά τη διάρκεια της χρήσης και παραμένει θερμός μετά τη χρήση, καθώς και όταν ο κινητήρας λειτουργεί στο ρελαντί. Προσέχετε όταν κινείστε κοντά σε εύφλεκτα υλικά ή/και αναθυμιάσεις, για να αποφύγετε την εκδήλωση πυρκαγιάς.

### Ασφάλεια καυσίμου



**ΠΡΟΕΙΔΟΠΟΙΗΣΗ:** Προτού χρησιμοποιήσετε το προϊόν, διαβάστε τις παρακάτω προειδοποιητικές οδηγίες.

- Μην θέτετε το προϊόν σε λειτουργία, εάν υπάρχει καύσιμο ή λάδι κινητήρα στο προϊόν. Αφαιρέστε το ανεπιθύμητο καύσιμο/λάδι και αφήστε το προϊόν να στεγνώσει.
- Εάν χύσετε καύσιμο στα ρούχα σας, αλλάξτε τα αμέσως.
- Μην χύσετε καύσιμο στο σώμα σας, καθώς μπορεί να προκληθεί τραυματισμός. Αν χύσετε καύσιμο στο σώμα σας, χρησιμοποιήστε σαπούνι και νερό για να αφαιρέσετε το καύσιμο.
- Μην θέτετε το προϊόν σε λειτουργία, εάν ο κινητήρας έχει διαρροή. Εξετάζετε τακτικά τον κινητήρα για διαρροές.
- Να είστε προσεκτικοί με το καύσιμο. Το καύσιμο είναι εύφλεκτο και οι αναθυμιάσεις είναι εκρηκτικές και μπορούν να προκαλέσουν τραυματισμό ή θάνατο.
- Μην εισπνεύσετε τις αναθυμιάσεις καυσίμου, καθώς μπορεί να προκληθεί τραυματισμός. Βεβαιωθείτε ότι υπάρχει επαρκής ροή αέρα.
- Μην καπνίζετε κοντά στο καύσιμο ή τον κινητήρα.
- Μην τοποθετείτε ζεστά αντικείμενα κοντά στο καύσιμο ή τον κινητήρα.
- Μην προσθέτετε καύσιμο όταν λειτουργεί ο κινητήρας.
- Βεβαιωθείτε ότι ο κινητήρας έχει κρυώσει πριν από τον ανεφοδιασμό.
- Πριν από τον ανεφοδιασμό, ανοίξτε αργά την τάπα του ντεπόζιτου καυσίμου και εκτονώστε προσεκτικά την πίεση.

- Μην προσθέτετε καύσιμο στον κινητήρα σε εσωτερικό χώρο. Η ανεπαρκής ροή αέρα μπορεί να προκαλέσει τραυματισμό ή θάνατο λόγω ασφυξίας ή μονοξειδίου του άνθρακα.
- Να σφίγγετε πλήρως την τάπα του ντεπόζιτου καυσίμου. Αν η τάπα του ντεπόζιτου καυσίμου δεν είναι σφισμένη, υπάρχει κίνδυνος πυρκαγιάς.
- Πριν από την εκκίνηση, μετακινήστε το προϊόν σε απόσταση τουλάχιστον 3 m /10 ft από το σημείο όπου γεμίσατε το ντεπόζιτο.
- Μην γεμίζετε ποτέ εντελώς το ντεπόζιτο καυσίμου. Η υψηλή θερμοκρασία προκαλεί διαστολή του καυσίμου. Πρέπει να αφήνετε κενό στο πάνω μέρος του ντεπόζιτου καυσίμου.
- Μην αποθηκεύετε ποτέ το προϊόν σε κτίρια όπου υπάρχουν πηγές ανάφλεξης, όπως θερμοσίφωνες, μονάδες θέρμανσης χώρου ή στεγνωτήρια ρούχων, εάν υπάρχει καύσιμο μέσα στο ντεπόζιτο. Αφήστε τον κινητήρα να κρυώσει προτού τον αποθηκεύσετε σε κάποιο κιβώτιο.

## Οδηγίες ασφαλείας για τη συντήρηση



**ΠΡΟΕΙΔΟΠΟΙΗΣΗ:** Προτού χρησιμοποιήσετε το προϊόν, διαβάστε τις παρακάτω προειδοποιητικές οδηγίες.

- Οι αναθυμιάσεις της εξάτμισης από τον κινητήρα περιέχουν μονοξείδιο του άνθρακα, ένα άσμο,

δηλητηριώδες και ιδιαίτερα επικίνδυνο αέριο. Να μην εκκινείτε τον κινητήρα σε εσωτερικούς ή κλειστούς χώρους.

- Πριν πραγματοποιήσετε συντήρηση στο προϊόν, σβήστε τον κινητήρα και αποσυνδέστε το καλώδιο ανάφλεξης από το μπουζί.
- Να χρησιμοποιείτε προστατευτικά γάντια όταν κάνετε συντήρηση του εξοπλισμού κοπής. Η λεπίδα είναι πολύ κοφτερή και μπορεί εύκολα να κοπείτε.
- Τα αξεσουάρ και οι τροποποιήσεις στο προϊόν που δεν είναι εγκεκριμένες από τον κατασκευαστή, μπορεί να προκαλέσουν σοβαρό τραυματισμό ή θάνατο. Να μην πραγματοποιείτε αλλαγές στο προϊόν. Να χρησιμοποιείτε μόνο εξαρτήματα που έχουν εγκριθεί από τον κατασκευαστή.
- Αν η συντήρηση δεν γίνεται σωστά και τακτικά, αυξάνεται ο κίνδυνος τραυματισμού και ζημιάς στο προϊόν.
- Να πραγματοποιείτε μόνο τις εργασίες συντήρησης όπως δίνονται σε αυτό το εγχειρίδιο κατόχου. Όλες οι άλλες εργασίες συντήρησης πρέπει να γίνονται από εγκεκριμένο αντιπρόσωπο σέρβις Husqvarna.
- Να αναθέτετε τη συντήρηση του προϊόντος σε έναν εγκεκριμένο αντιπρόσωπο σέρβις Husqvarna σε τακτά χρονικά διαστήματα.
- Να αντικαθιστάτε τυχόν κατεστραμμένα, φθαρμένα ή σπασμένα εξαρτήματα.

## Συναρμολόγηση

### Συναρμολόγηση της λαβής

1. Περάστε τη βίδα (A) μέσα από τη λαβή (B), την πλαστική ροδέλα (C) και το μπράτσο του στηρίγματος της λαβής (D). (Εικ. 17)
2. Σφίξτε καλά το παξιμάδι (E).
3. Περάστε τη βίδα (F) μέσα από τη ροδέλα (G) και το μπράτσο του στηρίγματος της λαβής.
4. Σφίξτε καλά τη χειρόβιδα (H).
5. Ευθυγραμμίστε τις οπές στη χειρολαβή με τις οπές στο κάτω μέρος της λαβής και στερεώστε τις βίδες, τις ροδέλες και τις χειρόβιδες. Σφίξτε πλήρως τις χειρόβιδες. (Εικ. 18)
6. Στερεώστε τις ντίζες στη λαβή με τα σχετικά στηρίγματα. (Εικ. 19)

**Περιοχόμενα** Βεβαιωθείτε ότι η μηχανική τάση στις ντίζες δεν είναι υπερβολικά υψηλή. Σε περίπτωση πολύ υψηλής μηχανικής τάσης, μπορεί να προκληθεί ζημιά στην ντίζα, εάν διπλωθεί η λαβή στη θέση μεταφοράς.

7. Τοποθετήστε τις ντίζες γύρω από το γάντζο στο κάτω μέρος της λαβής. (Εικ. 20)

### Για να προσαρμόσετε το ύψος λαβής

1. Χαλαρώστε τις κάτω χειρόβιδες. (Εικ. 21)
2. Βγάλτε τη χειρόβιδα, τη ροδέλα και τη βίδα στην αριστερή και τη δεξιά πλευρά.
3. Η λαβή μπορεί να ρυθμιστεί σε 2 διαφορετικά ύψη. Τοποθετήστε τη βίδα σε μία από τις 2 οπές στην αριστερή και τη δεξιά πλευρά. (Εικ. 22)
4. Στερεώστε τις βίδες, τις ροδέλες και τις χειρόβιδες.
5. Μετακινήστε τους μοχλούς προς την κατεύθυνση της χειρολαβής μέχρι να σταματήσουν και να ακούσετε ένα κλικ. Σφίξτε πλήρως τις χειρόβιδες. (Εικ. 23)

### Ρύθμιση του προϊόντος στη θέση μεταφοράς

1. Αφαιρέστε τον συλλέκτη χόρτου.
2. Χαλαρώστε τις χειρόβιδες στο πάνω μέρος της λαβής και διπλώστε τη λαβή προς τα κάτω. (Εικ. 24)
3. Χαλαρώστε τις κάτω χειρόβιδες.
4. Μετακινήστε τους μοχλούς στο κατώτερο άκρο των αυλακώσεων από την αριστερή και τη δεξιά πλευρά του προϊόντος. (Εικ. 25)
5. Διπλώστε τη χειρολαβή προς τα εμπρός. (Εικ. 26)



## Για να ρυθμίσετε το προϊόν στη θέση λειτουργίας

1. Ανασηκώστε τη χειρολαβή μέχρι το κάτω μέρος της λαβής να ασφαλίσει στη θέση λειτουργίας. (Εικ. 27)
2. Μετακινήστε τους μοχλούς προς την κατεύθυνση της χειρολαβής μέχρι να σταματήσουν και να ακούσετε ένα κλικ.
3. Σφίξτε πλήρως τις χειρόβιδες. (Εικ. 28)
4. Ανασηκώστε το επάνω μέρος της χειρολαβής.
5. Σφίξτε καλά τις χειρόβιδες. (Εικ. 29)

## Συναρμολόγηση του συλλέκτη χόρτου

1. Τοποθετήστε το επάνω τμήμα του συλλέκτη χόρτου πάνω στο κάτω τμήμα του. (Εικ. 30)
2. Συνδέστε το πλαίσιο του συλλέκτη χόρτου με τις ακράφες. (Εικ. 31)
3. Ανασηκώστε το πίσω κάλυμμα.
4. Συνδέστε τα άγκιστρα του συλλέκτη χόρτου στο επάνω άκρο του σασί. (Εικ. 32)
5. Τοποθετήστε το κάτω μέρος του συλλέκτη χόρτου στο κανάλι εκτόξευσης γρασιδιού.

## Λειτουργία

### Εισαγωγή



**ΠΡΟΕΙΔΟΠΟΙΗΣΗ:** Προτού χρησιμοποιήσετε το προϊόν, πρέπει να διαβάσετε και να κατανοήσετε το κεφάλαιο για την ασφάλεια.

### Husqvarna Connect

Η Husqvarna Connect είναι μια δωρεάν εφαρμογή για τη φορητή συσκευή σας. Η εφαρμογή Husqvarna Connect παρέχει εκτεταμένες λειτουργίες για το προϊόν σας Husqvarna:

- Περισσότερες πληροφορίες για το προϊόν.
- Πληροφορίες και βοήθεια για τα ανταλλακτικά και το σέρβις του προϊόντος.

### Για να αρχίσετε να χρησιμοποιείτε το προϊόν Husqvarna Connect

1. Κατεβάστε την εφαρμογή Husqvarna Connect στη φορητή συσκευή σας.
2. Εγγραφείτε στην εφαρμογή Husqvarna Connect.
3. Ακολουθήστε τα βήματα με τις οδηγίες που θα βρείτε στην εφαρμογή Husqvarna Connect για να συνδέσετε και να δηλώσετε το προϊόν.

### Πριν χρησιμοποιήσετε το προϊόν

1. Διαβάστε το εγχειρίδιο χρήσης προσεκτικά και βεβαιωθείτε ότι έχετε κατανοήσει τις οδηγίες.
2. Εξετάστε τον εξοπλισμό κοπής για να βεβαιωθείτε ότι είναι σωστά συνδεδεμένος και ρυθμισμένος. Ανατρέξτε στην ενότητα *Για να ελέγξετε τον εξοπλισμό κοπής στη σελίδα 83*.
3. Γεμίστε το ντεπόζιτο καυσίμου. Ανατρέξτε στην ενότητα *Ανεφοδιασμός με καύσιμο στη σελίδα 81*.
4. Γεμίστε το ντεπόζιτο λαδιού και κάντε έναν έλεγχο της στάθμης λαδιού. Ανατρέξτε στην ενότητα *Έλεγχος της στάθμης λαδιού στη σελίδα 84*.

### Ανεφοδιασμός με καύσιμο

Εάν υπάρχει, χρησιμοποιήστε βενζίνη με καύσιμο χαμηλών εκπομπών/αλκυλικό καύσιμο. Εάν δεν υπάρχει διαθέσιμο καύσιμο χαμηλών εκπομπών/αλκυλικό καύσιμο, χρησιμοποιήστε αμόλυβδη βενζίνη καλής ποιότητας ή μολυβδόχο βενζίνη με αριθμό οκτανίων όχι μικρότερο από 91.



**ΠΡΟΣΟΧΗ:** Μην χρησιμοποιείτε βενζίνη με αριθμό οκτανίων μικρότερο από 91 RON. Μπορεί να προκληθεί ζημιά στο προϊόν.



**ΠΡΟΣΟΧΗ:** Να αντικαθιστάτε το φίλτρο καυσίμου μία φορά ετησίως ή συχνότερα, εάν χρειάζεται. Για καινούργια φίλτρα καυσίμου, μπορείτε να απευθυνθείτε στον τοπικό αντιπρόσωπο της Husqvarna.



**ΠΡΟΣΟΧΗ:** Να σβήνετε πάντα τον κινητήρα πριν γεμίσετε το προϊόν με καύσιμο.



**ΠΡΟΣΟΧΗ:** Μην χρησιμοποιείτε υγρά εκκίνησης υπό πίεση.

1. Ανοίξτε αργά την τάπα του ντεπόζιτου καυσίμου για να εκτονώσετε την πίεση.
2. Γεμίστε αργά με ένα δοχείο καυσίμων. Αν χύσετε καύσιμο, καθαρίστε το με ένα πανί και αφήστε το καύσιμο που απομένει να στεγνώσει. (Εικ. 33)
3. Καθαρίστε την περιοχή γύρω από την τάπα του ντεπόζιτου καυσίμου.
4. Να σφίγγετε πλήρως την τάπα του ντεπόζιτου καυσίμου. Αν η τάπα του ντεπόζιτου καυσίμου δεν είναι σφιγμένη, υπάρχει κίνδυνος πυρκαγιάς.
5. Πριν από την εκκίνηση, μετακινήστε το προϊόν σε απόσταση τουλάχιστον 3 m /10 ft από το σημείο όπου γεμίσατε το ντεπόζιτο.

## Για να ρυθμίσετε το ύψος κοπής

1. Μετακινήστε το μοχλό ύψους κοπής προς τα πίσω για να αυξήσετε το ύψος κοπής.
2. Μετακινήστε το μοχλό ύψους κοπής προς τα εμπρός για να μειώσετε το ύψος κοπής. (Εικ. 34)



**ΠΡΟΣΟΧΗ:** Μην ρυθμίζετε το ύψος κοπής πολύ χαμηλά. Οι λεπίδες μπορεί να χτυπήσουν στο έδαφος αν η επιφάνεια του χλοοτάπητα δεν είναι επίπεδη.

## Εκκίνηση του προϊόντος

1. Βεβαιωθείτε ότι το καλώδιο ανάφλεξης είναι συνδεδεμένο στο μπουζί.
2. Να παραμένετε πίσω από το προϊόν.
3. Κρατήστε τη λαβή του φρένου κινητήρα προς τη χειρολαβή. (Εικ. 35)
4. Πιάστε τη λαβή του κορδονιού εκκίνησης με το δεξιό σας χέρι.
5. Τραβήξτε αργά έξω το κορδόνι της μίζας μέχρι να αισθανθείτε κάποια αντίσταση.
6. Τραβήξτε δυνατά για να εκκινήσει ο κινητήρας.



**ΠΡΟΕΙΔΟΠΟΙΗΣΗ:** Μην τυλίγετε ποτέ το σχοινί της τροχαλίας του συστήματος εκκίνησης γύρω από το χέρι σας.

## Χρήση της κίνησης στους τροχούς

- Πιέστε την ασφάλεια κίνησης προς την κατευθυνση της χειρολαβής. (Εικ. 36)

- Απελευθερώστε την ασφάλεια κίνησης για να αποδεσμεύσετε την κίνηση, για παράδειγμα όταν βρίσκεστε κοντά σε κάποιο εμπόδιο.
- Προτού τραβήξετε το προϊόν προς τα πίσω, αποσυμπλέξτε τον μηχανισμό μετάδοσης κίνησης και σπρώξτε το προϊόν προς τα εμπρός κατά περίπου 10 cm.

## Διακοπή λειτουργίας του προϊόντος

- Για να διακόψετε μόνο την κίνηση, απελευθερώστε την ασφάλεια οδήγησης.
- Για να διακόψετε τη λειτουργία του κινητήρα, απελευθερώστε τη λαβή του φρένου κινητήρα.

## Για ένα καλό αποτέλεσμα

- Να χρησιμοποιείτε πάντα μια ακονισμένη λεπίδα. Η στομωμένη λεπίδα δίνει ένα ακανόνιστο αποτέλεσμα και η επιφάνεια κοπής του γρασιδιού γίνεται κίτρινη. Επίσης, η ακονισμένη λεπίδα χρησιμοποιεί λιγότερη ενέργεια από μια στομωμένη λεπίδα.
- Να μην κόβετε ποτέ πάνω από το 1/3 του μήκους του γρασιδιού. Να κόβετε πρώτα με το ύψος κοπής ρυθμισμένο σε υψηλό. Εξετάστε το αποτέλεσμα και χαμηλώστε το ύψος κοπής σε κατάλληλο επίπεδο. Αν το γρασίδι είναι πολύ μακρύ, οδηγήστε αργά και κόψτε 2 φορές, αν είναι απαραίτητο.
- Να κόβετε κάθε φορά σε διαφορετικές κατευθύνσεις για να αποφεύγετε τις ρίγες στο γκαζόν.
- Διατηρείτε το κάλυμμα κοπής καθαρό. Η συσσώρευση γρασιδιού και ακαθαρσιών στην εσωτερική πλευρά του καλύμματος κοπής μπορεί να μειώσει το αποτέλεσμα κοπής. Ανατρέξτε στην ενότητα *Για να καθαρίσετε την εσωτερική επιφάνεια του καλύμματος κοπής στη σελίδα 83*.

## Συντήρηση

### Εισαγωγή



**ΠΡΟΕΙΔΟΠΟΙΗΣΗ:** Προτού εκτελέσετε εργασίες συντήρησης, πρέπει να διαβάσετε και να κατανοήσετε το κεφάλαιο για την ασφάλεια.

Για όλες τις εργασίες συντήρησης και επισκευής στο προϊόν, είναι απαραίτητη ειδική εκπαίδευση. Μπορούμε να εγγυηθούμε για τη διαθεσιμότητα των επαγγελματικών επισκευών και τη συντήρηση. Αν ο αντιπρόσωπός σας δεν είναι αντιπρόσωπος σέρβις, μιλήστε του για πληροφορίες σχετικά με τον πλησιέστερο αντιπρόσωπο σέρβις.

Για λεπτομερέστερες πληροφορίες, ανατρέξτε στη σελίδα .

### Πρόγραμμα συντήρησης



**ΠΡΟΣΟΧΗ:** Βεβαιωθείτε ότι το φίλτρο αέρα είναι στραμμένο προς τα πάνω και όχι προς το έδαφος όταν γένητε το προϊόν. Κίνδυνος ζημιάς στον κινητήρα.

Τα διαστήματα συντήρησης υπολογίζονται με βάση την καθημερινή χρήση του προϊόντος. Τα διαστήματα αλλάζουν αν το προϊόν δεν χρησιμοποιείται καθημερινά.

Για τις εργασίες συντήρησης που προσδιορίζονται με αστερίσκο (\*), ανατρέξτε στις οδηγίες στην ενότητα *Συσκευές ασφαλείας στο προϊόν στη σελίδα 79*.

Συντήρηση	Καθημερινά	Κάθε μήνα	Σε κάθε σε-ζόν
Εκτέλεση γενικής επιθεώρησης	X		
Έλεγχος της στάθμης λαδιού	X		
Αλλαγή λαδιού (την πρώτη φορά μετά από 5 ώρες χρήσης, έπειτα μετά από κάθε 50 ώρες χρήσης) <sup>36</sup>			X
Καθαρισμός του προϊόντος	X		
Έλεγχος του εξοπλισμού κοπής	X		
Έλεγχος του καλύμματος κοπής *	X		
Έλεγχος λαβής του φρένου κινητήρα *	X		
Έλεγχος της εξάτμισης (σιγαστήρα) *		X	
Ελέγξτε το μπουζί. Καθαρίστε ή αντικαταστήστε το μπουζί, εάν χρειάζεται			X
Έλεγχος του φίλτρου αέρα	X		
Καθαρισμός του φίλτρου αέρα <sup>37</sup>		X	
Αντικαταστήστε το φίλτρο αέρα			X
Έλεγχος του συστήματος καυσίμου			X
Καθαρίστε τα πτερύγια φερωτής (ανεμιστήρα) ψύξης του κυλίνδρου		X	
Ελέγξτε και ρυθμίστε την ντίζα του συμπλέκτη (LC 140SP)			X

## Εκτέλεση γενικής επιθεώρησης

- Βεβαιωθείτε ότι όλα τα παξιμάδια και οι βίδες πάνω στο προϊόν είναι σφιγμένα σωστά.

## Για να καθαρίσετε εξωτερικά το προϊόν

- Χρησιμοποιήστε μια βούρτσα για να αφαιρέσετε φύλλα, γρασιδί και ακαθαρσίες.
- Βεβαιωθείτε ότι η εισαγωγή αέρα στο επάνω μέρος του κινητήρα δεν είναι φραγμένη.
- Μην χρησιμοποιείτε σύστημα πλύσης με υψηλή πίεση για να καθαρίσετε το προϊόν.
- Αν χρησιμοποιείτε νερό για να καθαρίσετε το προϊόν, μην ρίχνετε νερό απευθείας επάνω στον κινητήρα.

## Για να καθαρίσετε την εσωτερική επιφάνεια του καλύμματος κοπής

- Αδειάστε το ντεπόζιτο καυσίμου.
- Γείρετε το προϊόν. Βεβαιωθείτε ότι το μπουζί δείχνει προς τα επάνω.



**ΠΡΟΣΟΧΗ:** Αν το προϊόν τοποθετηθεί με το φίλτρο αέρα προς τα κάτω, ο κινητήρας μπορεί να υποστεί ζημιά.

- Ξεπλύνετε την εσωτερική επιφάνεια του καλύμματος κοπής ρίχνοντας νερό προς τα κάτω με ένα λάστιχο.

## Για να ελέγξετε τον εξοπλισμό κοπής



**ΠΡΟΕΙΔΟΠΟΙΗΣΗ:** Για να αποτρέψετε ακούσια εκκίνηση, αφαιρέστε το καλώδιο ανάφλεξης από το μπουζί.



**ΠΡΟΕΙΔΟΠΟΙΗΣΗ:** Να χρησιμοποιείτε προστατευτικά γάντια όταν κάνετε συντήρηση του εξοπλισμού κοπής. Η λεπίδα είναι πολύ κοφτερή και μπορεί εύκολα να κοπείτε.

<sup>36</sup> Εάν το προϊόν λειτουργεί με βαρύ φορτίο ή σε υψηλές θερμοκρασίες περιβάλλοντος, πρέπει να αντικαθιστάτε το λάδι κινητήρα κάθε 25 ώρες.

<sup>37</sup> Καθαρίζετε συχνότερα σε συνθήκες με σκόνη ή όταν υπάρχουν αερομεταφερόμενα σωματίδια. Αντικαταστήστε το φίλτρο αέρα, εάν είναι πολύ βρώμικο.

1. Ελέγξτε τον εξοπλισμό κοπής για ζημιές ή ρωγμές. Πρέπει πάντα να αντικαθιστάτε τον εξοπλισμό κοπής, αν έχει υποστεί ζημιά.
2. Κοιτάξτε τη λεπίδα για να δείτε εάν είναι φθαρμένη ή σπομωμένη.

---

**Περιεχόμενα** Είναι απαραίτητο να ζυγοσταθμιστεί η λεπίδα μετά το ακόνισμα. Να αναθέτετε το ακόνισμα, την αντικατάσταση και τη ζυγοστάθμιση της λεπίδας σε ένα κέντρο σέρβις. Αν χτυπήσετε κάποιο εμπόδιο και σταματήσει το προϊόν, αντικαταστήστε τη φθαρμένη λεπίδα. Το κέντρο σέρβις θα αξιολογήσει αν η λεπίδα μπορεί να ακονιστεί ή πρέπει να αντικατασταθεί.

---

## Αντικατάσταση της λεπίδας

1. Ασφαλίστε τη λεπίδα με έναν ξύλινο τάκο. (Εικ. 37)
2. Αφαιρέστε τη βίδα της λεπίδας και την ελατηριωτή ροδέλα.
3. Αφαιρέστε τη λεπίδα.
4. Εξετάστε την υποστήριξη και τη βίδα της λεπίδας για να δείτε εάν υπάρχουν φθορές.
5. Εξετάστε τον άξονα του κινητήρα για να βεβαιωθείτε ότι δεν είναι λυγισμένος.
6. Όταν συνδέετε μια καινούργια λεπίδα, στρέψτε τα άκρα της λεπίδας που σχηματίζουν γωνία προς την κατεύθυνση του καλύμματος κοπής. (Εικ. 38)
7. Βεβαιωθείτε ότι η λεπίδα είναι ευθυγραμμισμένη με το κέντρο του άξονα του κινητήρα.
8. Ασφαλίστε τη λεπίδα με έναν ξύλινο τάκο. Τοποθετήστε τη ροδέλα του ελατηρίου και σφίξτε τη βίδα και τη ροδέλα με ροπή 45–60 Nm. (Εικ. 39)
9. Περιστρέψτε τη λάμα με το χέρι και βεβαιωθείτε ότι μπορεί να περιστραφεί χωρίς προβλήματα.



### ΠΡΟΕΙΔΟΠΟΙΗΣΗ:

Χρησιμοποιείτε γάντια βαρέος τύπου. Η λεπίδα είναι πολύ κοφτερή και μπορεί εύκολα να κοπείτε.

10. Εκκινήστε το προϊόν για να δοκιμάσετε τη λεπίδα. Αν η λεπίδα δεν είναι σωστά συνδεδεμένη, θα υπάρχουν κραδασμοί στο προϊόν ή το αποτέλεσμα κοπής δεν θα είναι ικανοποιητικό.

## Έλεγχος της στάθμης λαδιού



**ΠΡΟΣΟΧΗ:** Το πολύ χαμηλό επίπεδο λαδιού μπορεί να προκαλέσει βλάβη στον κινητήρα. Να κάνετε έλεγχο της στάθμης λαδιού πριν από την εκκίνηση του προϊόντος.

1. Τοποθετήστε το προϊόν σε οριζόντιο έδαφος.
2. Αφαιρέστε το καπάκι του ντεπόζιτου λαδιού και τον συνδεδεμένο δείκτη στάθμης.
3. Καθαρίστε το λάδι από τον δείκτη στάθμης.

4. Πιέστε τον δείκτη στάθμης πλήρως μέσα στο ντεπόζιτο λαδιού για να έχετε μια σωστή εικόνα της στάθμης λαδιού. Μην τοποθετήσετε την τάπα του ντεπόζιτου λαδιού.
5. Αφαιρέστε το καπάκι του ντεπόζιτου λαδιού και τον συνδεδεμένο δείκτη στάθμης.
6. Εξετάστε τη στάθμη λαδιού πάνω στον δείκτη στάθμης.
7. Αν η στάθμη του λαδιού είναι χαμηλή, συμπληρώστε με λάδι κινητήρα και ελέγξτε ξανά τη στάθμη λαδιού. (Εικ. 40)

---

**Περιεχόμενα** Χρησιμοποιήστε ένα χωνί για να αποφύγετε τη διαρροή.

---

8. Τοποθετήστε την τάπα του ντεπόζιτου λαδιού, όταν η στάθμη του λαδιού είναι η σωστή.

## Αντικατάσταση του λαδιού του κινητήρα



**ΠΡΟΕΙΔΟΠΟΙΗΣΗ:** Το λάδι του κινητήρα είναι πολύ καυτό αμέσως μετά το σβήσιμο του κινητήρα. Αφήστε τον κινητήρα να κρυώσει προτού αδειάσετε το λάδι του κινητήρα. Αν πέσει λάδι κινητήρα στο δέρμα σας, καθαρίστε το με σαπούνι και νερό.

(Εικ. 41)

1. Λειτουργήστε το προϊόν μέχρι να αδειάσει το ντεπόζιτο καυσίμου.
2. Αφαιρέστε το καλώδιο της μίζας από το μπουζί.
3. Αφαιρέστε το καπάκι του ντεπόζιτου λαδιού και τον συνδεδεμένο δείκτη στάθμης.
4. Τοποθετήστε ένα δοχείο κάτω από το προϊόν για να συλλέξετε το λάδι του κινητήρα.
5. Γείρετε το προϊόν ή αποστραγγίστε το λάδι κινητήρα από το ντεπόζιτο λαδιού με μια αντλία λαδιού (αξεσουάρ).
6. Γεμίστε με καινούργιο λάδι κινητήρα που έχει τον τύπο που προτείνεται στο *Τεχνικά στοιχεία στη σελίδα 87*.
7. Ελέγξτε τη στάθμη λαδιού. Ανατρέξτε στην ενότητα *Έλεγχος της στάθμης λαδιού στη σελίδα 84*.
8. Τοποθετήστε την τάπα του ντεπόζιτου λαδιού, όταν η στάθμη του λαδιού είναι η σωστή.

## Καθαρισμός αφρώδους πλαστικού φίλτρου



**ΠΡΟΣΟΧΗ:** Μην εκκινείτε τον κινητήρα εάν δεν είναι τοποθετημένα τα φίλτρα αέρα. Η φθορά του κινητήρα αυξάνεται εάν ο αέρας είναι ακάθαρτος.

1. Αφαιρέστε το κάλυμμα του φίλτρου αέρα (Α). (Εικ. 42)

## 2. Αφαιρέστε τα αφρώδη πλαστικά φίλτρα (B).



**ΠΡΟΣΟΧΗ:** Εξετάστε τα αφρώδη πλαστικά φίλτρα για ζημιά ή φθορά. Αντικαταστήστε όλα τα κατεστραμμένα αφρώδη πλαστικά φίλτρα.

3. Καθαρίστε τα αφρώδη πλαστικά φίλτρα με σαπούνι και νερό.
4. Ξεπλύνετε τα αφρώδη πλαστικά φίλτρα με καθαρό νερό.
5. Στραγγίστε το νερό από τα αφρώδη πλαστικά φίλτρα και αφήστε τα να στεγνώσουν.



**ΠΡΟΣΟΧΗ:** Μην χρησιμοποιείτε συμπιεσμένο αέρα. Ενδέχεται να προκληθεί ζημιά στο αφρώδες πλαστικό φίλτρο.

6. Λιπάνετε τα αφρώδη πλαστικά φίλτρα με λάδι κινητήρα.
7. Πιέστε ένα καθαρό πανί πάνω στο αφρώδες πλαστικό φίλτρο για να αφαιρέσετε το ανεπιθύμητο λάδι.
8. Εγκαταστήστε τα αφρώδη πλαστικά φίλτρα. Βεβαιωθείτε ότι τα αφρώδη πλαστικά φίλτρα εφαρμόζουν πλήρως στη βάση του φίλτρου αέρα.
9. Τοποθετήστε το κάλυμμα φίλτρου αέρα.

## Εκτέλεση ελέγχου μπουζί



**ΠΡΟΣΟΧΗ:** Χρησιμοποιείτε πάντα τον συνιστώμενο τύπο μπουζί. Η χρήση λάθος τύπου μπουζί μπορεί να προκαλέσει ζημιά στο προϊόν.

- Ελέγξτε το μπουζί, αν ο κινητήρας έχει χαμηλή ισχύ, δεν εκκινεί εύκολα ή δεν λειτουργεί σωστά στο ρελαντί.
- Για να μειώσετε τον κίνδυνο συσσώρευσης ανεπιθύμητων υλικών στα ηλεκτρόδια του μπουζί, ακολουθήστε τις παρακάτω οδηγίες:
  - a) Βεβαιωθείτε ότι οι στροφές ανά λεπτό ρελαντί έχουν ρυθμιστεί σωστά.
  - b) Βεβαιωθείτε ότι το μίγμα καυσίμου είναι σωστό.
  - c) Βεβαιωθείτε ότι το φίλτρο αέρα είναι καθαρό.
- Αν το μπουζί είναι βρόμικο, καθαρίστε το και βεβαιωθείτε ότι το διάκενο του ηλεκτροδίου είναι σωστό, ανατρέξτε στην ενότητα *Τεχνικά στοιχεία στη σελίδα 87*. (Εικ. 43)
- Αν χρειάζεται, αντικαταστήστε το μπουζί.

## Για να ελέγξετε το σύστημα καυσίμου

- Ελέγξτε την τάπα του νεπεόζιτου καυσίμου και την ταμιούχα στεγανότητας της τάπας του νεπεόζιτου καυσίμου για να βεβαιωθείτε ότι δεν υπάρχουν φθορές.

- Ελέγξτε το σωλήνα καυσίμου για να βεβαιωθείτε ότι δεν υπάρχουν διαρροές. Αν ο σωλήνας καυσίμου έχει υποστεί φθορά, αναθέστε την αντικατάστασή του σε έναν αντιπρόσωπο σέρβις.

## Αποστράγγιση του νεπεόζιτου καυσίμου

1. Τοποθετήστε ένα δοχείο κάτω από το νεπεόζιτο καυσίμου.
2. Αφαιρέστε την τάπα νεπεόζιτου καυσίμου.
3. Πιέστε τα κλιπ σωλήνα στον εύκαμπτο σωλήνα καυσίμου προς το καρμπυρατέρ.
4. Αφαιρέστε τον εύκαμπτο σωλήνα καυσίμου από το καρμπυρατέρ.
5. Τοποθετήστε τον εύκαμπτο σωλήνα καυσίμου στο δοχείο και αφαιρέστε τα κλιπ των σωλήνων.
6. Γεμίστε το προϊόν και αποστραγγίστε το καύσιμο μέσα στο δοχείο.

## Αντικατάσταση του φίλτρου καυσίμου



**ΠΡΟΕΙΔΟΠΟΙΗΣΗ:** Πρέπει να χρησιμοποιείτε προστατευτικά γάντια.

1. Αποστραγγίστε το νεπεόζιτο καυσίμου.
2. Απομακρύνετε το κλιπ σωλήνα από το νεπεόζιτο καυσίμου. (Εικ. 44)
3. Αφαιρέστε τον σωλήνα καυσίμου από το νεπεόζιτο καυσίμου. Μπορεί να διαρρεύσει μια μικρή ποσότητα καυσίμου. (Εικ. 45)
4. Αφαιρέστε το φίλτρο καυσίμου από το νεπεόζιτο καυσίμου. (Εικ. 46)
5. Τοποθετήστε ένα νέο φίλτρο καυσίμου στο νεπεόζιτο καυσίμου.
6. Συνδέστε τον σωλήνα καυσίμου στο ρεζερβουάρ καυσίμου.
7. Τοποθετήστε το κλιπ σωλήνα στη θέση του στο ρεζερβουάρ καυσίμου.

## Ρύθμιση του καλωδίου του συμπλέκτη ((LC 140SP))

Για τις παρακάτω περιπτώσεις, πρέπει να μειώσετε το μήκος του καλωδίου του συμπλέκτη:

- Η κίνηση των τροχών δεν ενεργοποιείται όταν τραβήξετε την ασφάλεια κίνησης ή το μοχλό ελέγχου ταχύτητας.
- Το προϊόν κινείται αργά όταν η κίνηση των τροχών είναι ενεργοποιημένη.

Για τις παρακάτω περιπτώσεις, είναι απαραίτητο να αυξήσετε το μήκος του καλωδίου του συμπλέκτη:

- Το προϊόν κινείται όταν δεν έχει ενεργοποιηθεί η κίνηση των τροχών.
- Ρυθμίστε το καλώδιο του συμπλέκτη.

- a) Για να μειώσετε το μήκος του καλωδίου του συμπλέκτη, γυρίστε τη βίδα ρύθμισης αριστερόστροφα.
- b) Για να αυξήσετε το μήκος του καλωδίου του συμπλέκτη, γυρίστε τη βίδα ρύθμισης δεξιόστροφα. (Εικ. 47)

Εάν το προϊόν συνεχίζει να μην κινείται ικανοποιητικά μετά τη ρύθμιση, απευθυνθείτε στον αντιπρόσωπο σέρβις.

## Αντιμετώπιση προβλημάτων κινητήρα

Πρόβλημα	Πιθανή αιτία	Λύση
Ο κινητήρας δεν εκκινεί.	Το καλώδιο ανάφλεξης δεν έχει συνδεθεί σωστά.	Συνδέστε το καλώδιο ανάφλεξης στο μπουζί.
	Το ντεπόζιτο καυσίμου έχει αδειάσει.	Γεμίστε το ντεπόζιτο καυσίμου με τον σωστό τύπο καυσίμου.
	Το καύσιμο είναι παλιό.	Αδειάστε το ντεπόζιτο καυσίμου και το καρμπυρατέρ. Αναφοδιάστε το προϊόν με νέα βενζίνη.
	Υπάρχουν σκουπιδάκια στο καρμπυρατέρ ή στη γραμμή καυσίμου.	Καθαρίστε το καρμπυρατέρ ή/και τη γραμμή καυσίμου.
	Το μπουζί είναι κατεστραμμένο.	Ρυθμίστε το διάκενο του ηλεκτροδίου, καθαρίστε ή αντικαταστήστε το μπουζί.
	Υπάρχει καύσιμο στο μπουζί.	Καθαρίστε το μπουζί.
Ο κινητήρας δεν σβήνει.	Ο μηχανισμός διακοπής λειτουργίας δεν λειτουργεί σωστά.	Αφαιρέστε το καλώδιο ανάφλεξης από το μπουζί. Αναθέστε την επισκευή του προϊόντος σε έναν εγκεκριμένο αντιπρόσωπο σέρβις.
Ο κινητήρας δεν λειτουργεί ομαλά.	Το καλώδιο ανάφλεξης δεν έχει συνδεθεί σωστά.	Συνδέστε το καλώδιο ανάφλεξης στο μπουζί.
	Υπάρχουν βρομιές στη γραμμή καυσίμου ή το καύσιμο έχει λήξει.	Καθαρίστε τη γραμμή καυσίμου. Γεμίστε το ντεπόζιτο καυσίμου με καινούργιο καύσιμο σωστού τύπου.
	Υπάρχει εμπόδιο στην τάπα του ντεπόζιτου καυσίμου.	Καθαρίστε την τάπα του ντεπόζιτου καυσίμου.
	Υπάρχει νερό ή βρομιά στο σύστημα καυσίμου.	Αποστραγγίστε το ντεπόζιτο καυσίμου. Γεμίστε το ντεπόζιτο καυσίμου με καινούργιο καύσιμο σωστού τύπου.
	Το φίλτρο αέρα είναι βρόμικο.	Καθαρίστε το φίλτρο αέρα.
	Πρέπει να γίνει ρύθμιση του καρμπυρατέρ.	Αναθέστε τη ρύθμιση του καρμπυρατέρ σε έναν αντιπρόσωπο σέρβις.
Ο κινητήρας υπερθερμαίνεται.	Η στάθμη λαδιού κινητήρα είναι πολύ χαμηλή.	Γεμίστε με λάδι κινητήρα.
	Η παροχή αέρα δεν είναι επαρκής.	Καθαρίστε το φίλτρο αέρα και το περίβλημα του φίλτρου αέρα.
	Πρέπει να γίνει ρύθμιση του καρμπυρατέρ.	Αναθέστε τη ρύθμιση του καρμπυρατέρ σε έναν αντιπρόσωπο σέρβις.

Πρόβλημα	Πιθανή αιτία	Λύση
Παρουσιάζεται αφλογιστία στον κινητήρα όταν λειτουργεί με υψηλές στροφές.	Το διάκενο του ηλεκτροδίου στο μπουζί είναι πολύ μικρό.	Ρυθμίστε το διάκενο αέρα.
Ασυνήθιστοι θόρυβοι από τον κινητήρα κατά τη διάρκεια λειτουργίας με κανονικό φορτίο.	Λάθος τύπος βενζίνης.	Αδειάστε το ντεπόζιτο καυσίμου και το καρμπυρατέρ. Ανεφοδιάστε το προϊόν με νέα βενζίνη. Ανατρέξτε στην ενότητα <i>Ανεφοδιασμός με καύσιμο στη σελίδα 81</i> . Εάν το πρόβλημα συνεχίζει να εμφανίζεται, επικοινωνήστε με τον τοπικό αντιπρόσωπο σέρβις.
Ο κινητήρας δεν λειτουργεί ομαλά στο ρελαντί.	Το μπουζί είναι βρόμικο, καεστραμμένο ή το διάκενο του ηλεκτροδίου είναι πολύ μεγάλο.	Ρυθμίστε το διάκενο ηλεκτροδίου ή αντικαταστήστε το μπουζί.
	Πρέπει να γίνει ρύθμιση του καρμπυρατέρ.	Ρυθμίστε το καρμπυρατέρ.
	Το φίλτρο αέρα είναι βρόμικο.	Καθαρίστε το φίλτρο αέρα.

## Μεταφορά, αποθήκευση και απόρριψη

### Μεταφορά και αποθήκευση

- Για την αποθήκευση και τη μεταφορά του προϊόντος και του καυσίμου, βεβαιωθείτε ότι δεν υπάρχουν διαρροές ή αναθυμιάσεις. Τυχόν σπινθήρες ή ακάλυπτες φλόγες, για παράδειγμα από ηλεκτρικές συσκευές ή λέβητες, μπορεί να προκαλέσουν πυρκαγιά.
- Να χρησιμοποιείτε πάντα εγκεκριμένα δοχεία για την αποθήκευση και τη μεταφορά των καυσίμων.
- Να αδειάζετε το ντεπόζιτο καυσίμου πριν την αποθήκευση του προϊόντος για μεγάλο χρονικό διάστημα. Να απορρίπτετε το καύσιμο σε μια κατάλληλη τοποθεσία απόρριψης.
- Να στερεώνετε με ασφάλεια το προϊόν κατά τη μεταφορά για να αποφύγετε βλάβες και ατυχήματα.

- Να διατηρείτε το προϊόν σε μια κλειδωμένη περιοχή για να αποτρέψετε την πρόσβαση σε παιδιά ή μη εγκεκριμένα άτομα.
- Να διατηρείτε το προϊόν σε μια περιοχή στεγνή και χωρίς πάγο.

### Απόρριψη

- Πρέπει να συμμορφώνεστε με τις τοπικές απαιτήσεις ανακύκλωσης και τους ισχύοντες κανονισμούς.
- Πετάξτε όλα τα χημικά, όπως το λάδι κινητήρα ή το καύσιμο, σε ένα κέντρο σέρβις ή σε μια κατάλληλη τοποθεσία απόρριψης.
- Όταν το προϊόν δεν είναι πλέον σε χρήση, στείλτε το σε έναν αντιπρόσωπο Husqvarna ή απορρίψτε το σε μια τοποθεσία ανακύκλωσης.

## Τεχνικά στοιχεία

### Τεχνικά στοιχεία

	LC 140P	LC 140SP
<b>Κινητήρας</b>		
Μάρκα	Husqvarna	Husqvarna
Όνομα μοντέλου κινητήρα	HS 123A	HS 123A
Τύπος κινητήρα	Μονοκύλινδρος, 4-χρονος, ψύξη με εξαναγκασμένη κυκλοφορία αέρα, OHV	Μονοκύλινδρος, 4-χρονος, ψύξη με εξαναγκασμένη κυκλοφορία αέρα, OHV

	LC 140P	LC 140SP
Κυβισμός, cm <sup>3</sup>	123	123
Ταχύτητα, σ.α.λ.	3000	3000
Ονομαστική απόδοση ισχύος κινητήρα, kW <sup>38</sup>	1,95	1,95
<b>Σύστημα ανάφλεξης</b>		
Μπουζι	Husqvarna HQT-7	Husqvarna HQT-7
Διάκενο ηλεκτροδίου, mm	0,7-0,8	0,7-0,8
<b>Σύστημα καυσίμου και λίπανσης</b>		
Τύπος λίπανσης κινητήρα	Παφλασμός	Παφλασμός
Χωρητικότητα ντεπόζιτου καυσίμου, λίτρα	0,9	0,9
Χωρητικότητα δοχείου λαδιού, λίτρα	0,5	0,5
Λάδι κινητήρα <sup>39</sup>	Husqvarna SAE 30, Husqvarna SAE 5W-30 Synthetic, Husqvarna SAE 10W-40	Husqvarna SAE 30, Husqvarna SAE 5W-30 Synthetic, Husqvarna SAE 10W-40
<b>Βάρος</b>		
Με κενά ντεπόζιτα, kg	25,2	26,8
<b>Εκπομπές θορύβου <sup>40</sup></b>		
Στάθμη ηχητικής ισχύος, μετρημένη, dB(A)	93	93
Στάθμη ηχητικής ισχύος, εγγυημένη, L <sub>WA</sub> dB (A)	94	94
<b>Στάθμες ήχου <sup>41</sup></b>		
Στάθμη ηχητικής πίεσης στο αυτί του χειριστή, dB(A)	82	82
<b>Στάθμες κραδασμών <sup>42</sup></b>		
Κραδασμοί στη χειρολαβή, m/s <sup>2</sup>	5,6	7,6
<b>Εξοπλισμός κοπής</b>		
Ύψος κοπής, mm	25-75	25-75
Πλάτος κοπής, mm	400	400

<sup>38</sup> Η ονομαστική ισχύς του εν λόγω κινητήρα είναι η μέση ωφέλιμη ισχύς (σε συγκεκριμένες στροφές κινητήρα) ενός τυπικού κινητήρα παραγωγής για το μοντέλο του κινητήρα μετρημένης βάσει του προτύπου SAE J1349/ISO1585. Οι κινητήρες μαζικής παραγωγής μπορεί να διαφέρουν από την τιμή αυτή. Η πραγματική ωφέλιμη απόδοση ισχύος του κινητήρα που τοποθετείται στο τελικό προϊόν εξαρτάται από την ταχύτητα λειτουργίας, τις συνθήκες του περιβάλλοντος και άλλες τιμές.

<sup>39</sup> Χρησιμοποιείτε λάδι κινητήρα ποιότητας API SJ ή υψηλότερης. Εάν το λάδι SAE-30 χρησιμοποιείται σε θερμοκρασία χαμηλότερη από +5 °C, υπάρχει κίνδυνος να μην λιπανθεί επαρκώς ο κινητήρας. Αυτό μπορεί να προκαλέσει ζημιά στον κινητήρα. Ανατρέξτε στην ενότητα *Αντικατάσταση του λαδιού του κινητήρα στη σελίδα 84* για το σωστό λάδι σε χαμηλές θερμοκρασίες. Ανατρέξτε στο διάγραμμα ιξώδους στο εγχειρίδιο του κινητήρα (αν περιλαμβάνεται) και επιλέξτε το καλύτερο ιξώδες με βάση την αναμενόμενη εξωτερική θερμοκρασία.

<sup>40</sup> Οι εκπομπές θορύβου στο περιβάλλον μετρούνται ως ηχητική ισχύς (L<sub>WA</sub>) σε συμμόρφωση με την Οδηγία 2000/14/ΕΚ.

<sup>41</sup> Τα καταγεγραμμένα στοιχεία για τη στάθμη πίεσης θορύβου έχουν τυπική στατιστική διασπορά (τυπική απόκλιση) 1,2 dB(A).

<sup>42</sup> Τα καταγεγραμμένα στοιχεία για τη στάθμη κραδασμών έχουν τυπική στατιστική διασπορά (τυπική απόκλιση) ίση με 0,2 m/s<sup>2</sup>.



	<b>LC 140P</b>	<b>LC 140SP</b>
Σύστημα κοπής	Καλάθι / Εξαγωγή πίσω	Καλάθι / Εξαγωγή πίσω
Λεπίδες - βασικός εξοπλισμός	Καλάθι 5873863-10	Καλάθι 5873863-10
Χωρητικότητα συλλέκτη χόρτου, λίτρα	50	50
<b>Σύστημα μετάδοσης κίνησης</b>		
Ταχύτητα αυτόματης πορείας, km/h	-	4

# Δήλωση Συμμόρφωσης

## Δήλωση συμμόρφωσης ΕΕ

Εμείς, η **Husqvarna AB**, SE-561 82 Huskvarna, Σουηδία,  
τηλ.: +46-36-146500, δηλώνουμε με αποκλειστική μας  
ευθύνη ότι το προϊόν:

<b>Περιγραφή</b>	Ωθούμενο χλοοκοπτικό
<b>Μάρκα</b>	Husqvarna
<b>Τύπος / Μοντέλο</b>	LC 140P, LC 140SP
<b>Αναγνώριση</b>	Αριθμοί σειράς με ημερομηνία από το 2022 και έπειτα

συμμορφώνεται πλήρως με τις ακόλουθες οδηγίες και  
τους κανονισμούς της ΕΕ:

<b>Κανονισμός</b>	<b>Περιγραφή</b>
2006/42/EK	"σχετικά με τα μηχανήματα"
2014/30/EE	"σχετικά με την ηλεκτρομαγνητική συμβατότητα"
2000/14/EK	"σχετικά με τις εκπομπές θορύβου στο περιβάλλον"
2011/65/EE	"σχετικά με τον περιορισμό της χρήσης ορισμένων επικίνδυνων ουσιών σε είδη ηλεκτρικού και ηλεκτρονικού εξοπλισμού"

και ότι εφαρμόζονται τα παρακάτω πρότυπα ή/και  
τεχνικές προδιαγραφές: EN ISO 5395-1:2013/A1:2018,  
EN ISO 5395-2:2013/A1:2016/A2:2017, EN ISO  
14982:2009, EN IEC 63000:2018

Κοινοποιημένος φορέας: O 0404, RISE SMP Svensk  
Maskinprovning AB, Box 4053, SE-904 03 Umeå,  
Sweden έχει πιστοποιήσει τη συμμόρφωση με  
την οδηγία 2000/14/EK του Συμβουλίου, διαδικασία  
αξιολόγησης συμμόρφωσης: Παράρτημα VI.

Για πληροφορίες σχετικά με τις εκπομπές θορύβου,  
ανατρέξτε στην ενότητα *Τεχνικά στοιχεία στη σελίδα 87*.

Husqvarna, 2022-09-27



Claes Losdal, Υπεύθυνος ανάπτυξης/Προϊόντα κήπου  
Husqvarna AB

Υπεύθυνος για την τεχνική τεκμηρίωση



---

# Contenido

---

Introducción.....	91	Resolución de problemas del motor.....	101
Seguridad.....	92	Transporte, almacenamiento y eliminación.....	102
Montaje.....	95	Datos técnicos.....	102
Funcionamiento.....	96	Declaración de conformidad.....	105
Mantenimiento.....	97		

---

## Introducción

---

### Descripción del producto

El producto es un cortacésped giratorio conducido a pie. La hierba se recoge en un recogedor de césped. Retire el recogedor de césped para utilizar la descarga trasera de hierba.

### Uso previsto

Utilice el producto para cortar hierba. No utilice el producto para otras tareas.

### Descripción del producto

(Fig. 1)

1. Manillar
2. Mango de transmisión (LC 140SP)
3. Empuñadura de la cuerda de arranque
4. Recogedor de césped
5. Depósito de combustible
6. Filtro de aire
7. Bujía
8. Cubierta del equipo de corte
9. Silenciador
10. Tapón del depósito de aceite
11. Palanca de la altura de corte
12. Cubierta trasera
13. Palanca del freno del motor
14. Símbolos
15. Conjunto de manillar inferior
16. Empuñadura inferior
17. Manual de usuario
18. Embudo para aceite

(Fig. 5)

Mantenga a las personas y animales a una distancia de seguridad respecto al área de trabajo.

(Fig. 6)

Advertencia: Mantenga alejados los pies y las manos de la cuchilla cuando esté girando.

(Fig. 7)

Advertencia: Mantenga las manos y los pies alejados de las piezas giratorias.

(Fig. 8)

Detenga el motor y desconecte el cable de encendido antes de realizar tareas de mantenimiento o reparación.

(Fig. 9)

Este producto cumple con las directivas CE vigentes.

(Fig. 10)

Etiqueta de emisiones sonoras al medioambiente conforme con las directivas y normativas europeas y del Reino Unido, y con la regulación de 2017 sobre de protección del medioambiente (control de ruidos) (Protection of the Environment Operations - Noise Control) de la legislación de Nueva Gales del Sur. El nivel de potencia acústica garantizado del producto se especifica en *Datos técnicos en la página 102* y en la etiqueta.

### Símbolos que aparecen en el producto

(Fig. 2)

ADVERTENCIA: Tenga cuidado y utilice el producto correctamente. Este producto puede ocasionar lesiones graves o mortales tanto al usuario como a cualquier otra persona.

(Fig. 3)

Lea detenidamente el manual de usuario y asegúrese de que entiende las instrucciones antes de usar la máquina.

(Fig. 4)

Tenga cuidado con los objetos que puedan salir despedidos o rebotados.

(Fig. 11)

Este producto cumple con las directivas del Reino Unido vigentes.

(Fig. 12)

Riesgo de incendio.

(Fig. 13)

No inhale los gases de escape. Los gases de escape del motor contienen monóxido de carbono, que es un gas inodoro, tóxico

y muy peligroso. No arranque el motor en interiores ni en espacios cerrados.

(Fig. 14) Superficie caliente.

(Fig. 15) Llene el motor de aceite antes de arrancar el producto.

---

**Nota:** Los demás símbolos y etiquetas que aparecen en el producto corresponden a requisitos de homologación específicos de otras zonas comerciales.

---

## Emisiones Euro V

---



**ADVERTENCIA:** La manipulación del motor anula la homologación de la UE de este producto.

---

---

## Seguridad

---

### Definiciones de seguridad

Las advertencias, precauciones y notas se utilizan para destacar información especialmente importante del manual.



**ADVERTENCIA:** Indica un riesgo de lesiones o incluso de muerte del usuario o de las personas cercanas si no se respetan las instrucciones del manual.

---



**PRECAUCIÓN:** Indica un riesgo de daños en el producto, otros materiales o el área adyacente si no se respetan las instrucciones del manual.

---

**Nota:** Se usa para proporcionar más información necesaria en una situación determinada.

---

### Instrucciones generales de seguridad



**ADVERTENCIA:** Lea las siguientes instrucciones de advertencia antes de utilizar el producto.

- Este producto es una herramienta peligrosa si se usa incorrectamente o si no se tiene cuidado. Puede causar lesiones graves o incluso la muerte si no siguen las instrucciones de seguridad.
- Este producto genera un campo electromagnético durante el funcionamiento. Este campo magnético puede, en determinadas circunstancias, interferir con implantes médicos activos o pasivos. Para reducir el riesgo de que se den condiciones que provocarían lesiones graves o letales, las personas

## Daños en el producto

No nos hacemos responsables de los daños que pueda sufrir el producto si:

- El producto se ha reparado incorrectamente.
- El producto se ha reparado con piezas que no eran del fabricante o no autorizadas por el fabricante.
- El producto tiene un accesorio que no es del fabricante o no está autorizado por este.
- El producto no se ha reparado en un centro de servicio autorizado o por un organismo homologado.

que utilizan implantes médicos deben consultar con su médico y con el fabricante del implante antes de poner en marcha este producto.

- Proceda siempre con cuidado y utilice el sentido común. Si no está seguro de cómo manejar el producto en una situación en particular, pare y consulte con su distribuidor Husqvarna antes de continuar.
- Tenga en cuenta que el usuario será el responsable de los accidentes que involucren a otras personas o a su propiedad.
- Mantenga el producto limpio. Asegúrese de que puede leer claramente las etiquetas.
- No permita que nadie utilice el producto a menos que haya leído y comprendido el contenido del manual de usuario.
- No deje que un niño maneje el producto.
- Mantenga a los niños alejados de la zona de trabajo. Debe haber presente en todo momento una persona mayor de edad responsable.
- No permita que nadie maneje el producto sin conocer las instrucciones.
- Si una persona con discapacidad física o mental usa el producto, asegúrese de supervisarla en todo momento. Debe haber presente en todo momento una persona mayor de edad responsable.
- No utilice el producto si está cansado, enfermo o si se encuentra bajo los efectos de alcohol, drogas o medicamentos. Esto tiene un efecto negativo en su visión, capacidad de reacción, coordinación y capacidad de decisión.
- No utilice un producto que esté dañado o que no funcione correctamente.
- No modifique este producto ni lo utilice si puede haber sido modificado por otras personas.
- No cambie el ajuste del régimen del motor.

## Seguridad en el área de trabajo



**ADVERTENCIA:** Lea las siguientes instrucciones de advertencia antes de utilizar el producto.

- Retire objetos tales como ramas, palos y piedras de la zona de trabajo antes de usar el producto.
- Los objetos que chocan contra el equipo de corte pueden salir despedidos y causar daños a personas y objetos. Mantenga a las personas y los animales a una distancia de seguridad respecto al producto.
- No utilice el producto en condiciones climáticas desfavorables, como niebla, lluvia, viento fuerte, frío intenso y riesgo de relámpagos. El uso del producto en condiciones climáticas desfavorables o en entornos húmedos o mojados produce mucho cansancio. El mal tiempo puede causar condiciones peligrosas, como superficies resbaladizas.
- Preste atención a las personas, objetos y situaciones que puedan impedir el funcionamiento seguro del producto.
- Tenga cuidado con los posibles obstáculos, como raíces, piedras, ramas, hoyos y zanjas. El césped crecido puede esconder obstáculos.
- Cortar el césped en pendientes puede resultar peligroso. No utilice el producto en pendientes de más de 15°.
- Utilice el producto a lo largo de las laderas de las pendientes. No se desplace hacia arriba y hacia abajo.
- Tenga cuidado cuando se acerque a esquinas y objetos escondidos que puedan bloquear su campo de visión.

## Seguridad en el trabajo



**ADVERTENCIA:** Lea las siguientes instrucciones de advertencia antes de utilizar el producto.

- Utilice este producto para cortar solamente césped. No está permitido utilizar el producto para otras tareas.
- Utilice el equipo de protección personal. Consulte la sección *Equipo de protección personal en la página 93*.
- Asegúrese de que saber cómo detener el motor rápidamente en caso de emergencia.
- Nunca arranque el motor en un espacio cerrado ni cerca de materiales inflamables. Los gases de escape del motor están calientes y pueden contener chispas que pueden provocar un incendio.
- No utilice el producto a menos que la cuchilla y todas las cubiertas estén fijadas correctamente. Una cuchilla fijada incorrectamente puede soltarse y provocar daños personales.
- Asegúrese de que la cuchilla no golpea ningún objeto, como piedras y raíces. Esto puede causar

daños a la cuchilla y doblar el eje del motor. Un eje doblado causa vibraciones excesivas y un riesgo muy alto de que la cuchilla se suelte.

- Si la cuchilla choca con algún objeto o si se producen vibraciones, pare el producto inmediatamente. Desconecte el cable de encendido de la bujía. Examine el producto para comprobar si presenta daños. Repare los daños o lleve el producto a un taller de servicio autorizado para realizar la reparación.
- No acople la maneta del freno del motor permanentemente al mango cuando el motor esté encendido.
- Ponga el producto en una superficie plana y estable, y arránquelo. Asegúrese de que la cuchilla no entre en contacto con el suelo u otros objetos.
- Manténgase siempre detrás del producto durante su uso.
- Mientras utilice el producto, mantenga todas las ruedas apoyadas en el suelo y las dos manos en el manillar. Mantenga alejados las manos y los pies de las cuchillas giratorias.
- No incline el producto con el motor en marcha.
- Tenga cuidado cuando tire del producto hacia atrás.
- Nunca levante el producto con el motor en marcha. Si tiene que levantar el producto, primero apague el motor y desconecte el cable de encendido de la bujía.
- No camine hacia atrás mientras utiliza el producto.
- Detenga el motor cuando se desplace por áreas sin hierba, por ejemplo, caminos de grava, piedra y asfalto.
- No corra con el producto con el motor en marcha. Camine siempre mientras utiliza el producto.
- Detenga el motor antes de cambiar la altura de corte. Nunca realice ajustes con el motor en marcha.
- No deje el producto desatendido con el motor en marcha. Pare el motor y asegúrese de que el equipo de corte no gire.

## Instrucciones de seguridad para el funcionamiento

### Equipo de protección personal



**ADVERTENCIA:** Lea las siguientes instrucciones de advertencia antes de utilizar el producto.

- El equipo de protección personal no elimina completamente el riesgo de lesiones, pero reduce la gravedad de las lesiones en caso de accidente. Deje que el distribuidor le ayude a seleccionar el equipo adecuado.
- Utilice protectores auriculares si el nivel de ruido es superior a 85 dB.
- Utilice botas o zapatos de trabajo antideslizantes. No utilice calzado abierto ni vaya descalzo.

- Utilice pantalones largos gruesos.
- Utilice guantes protectores cuando sea necesario, por ejemplo, para el montaje, inspección o limpieza del equipo de corte.

## Dispositivos de seguridad en el producto



**ADVERTENCIA:** Lea las siguientes instrucciones de advertencia antes de utilizar el producto.

- No utilice ningún producto con dispositivos de seguridad dañados o que no funcionen correctamente.
- Realice una comprobación de los dispositivos de seguridad con frecuencia. Si los dispositivos de seguridad están dañados o no funcionan correctamente, póngase en contacto con su taller de servicio Husqvarna.
- No haga ninguna modificación en los dispositivos de seguridad.

## Comprobación de la cubierta del equipo de corte

La cubierta del equipo de corte disminuye las vibraciones en el producto y el riesgo de lesiones provocadas por la cuchilla.

- Examine la cubierta de corte para asegurarse de que no haya daños como, por ejemplo, grietas.

## Comprobación de la maneta de freno del motor

La maneta del freno del motor detiene el motor. Cuando se suelta la maneta del freno del motor, el motor se para.

- Arranque el motor y, a continuación, suelte la maneta de freno. Si el motor no se detiene en 3 segundos, lleve el producto a un taller de servicio Husqvarna autorizado para realizar el ajuste del freno del motor. (Fig. 16)

## Silenciador

El silenciador mantiene al mínimo los niveles de ruido y aparta los gases de escape del usuario.

No utilice el producto si el silenciador no está instalado o está dañado. Un silenciador dañado aumenta el nivel de ruido y el riesgo de incendio.



**ADVERTENCIA:** El silenciador se calienta mucho durante el uso y también cuando el motor se encuentra al ralentí. Tenga cuidado cuando se encuentre cerca de materiales o gases inflamables para evitar incendios.

## Seguridad en el uso del combustible



**ADVERTENCIA:** Lea las siguientes instrucciones de advertencia antes de utilizar el producto.

- No arranque el producto si está manchado de combustible o aceite del motor. Limpie el combustible o aceite y deje secar el producto.
- Si derrama combustible sobre la ropa, cámbiese inmediatamente.
- Evite el contacto con el combustible; puede provocarle lesiones. Si el combustible entra en contacto con la piel, lávese con agua y jabón.
- No arranque el motor si el producto tiene una fuga. Compruebe frecuentemente si hay fugas en el motor.
- Tenga cuidado con el combustible. El combustible es inflamable y sus gases son explosivos, por lo que puede provocar lesiones o la muerte.
- No inhale los vapores del combustible, ya que pueden causar lesiones. Asegúrese de que existe suficiente ventilación.
- No fume cerca del combustible o el motor.
- No coloque objetos calientes cerca del combustible o el motor.
- No añada combustible con el motor en marcha.
- Asegúrese de que el motor esté frío antes de repostar.
- Antes de repostar, abra la tapa del depósito de combustible lentamente y deje salir con cuidado el exceso de presión.
- No añada combustible al motor en interiores. Una circulación de aire insuficiente puede causar lesiones o la muerte por asfixia o inhalación de monóxido de carbono.
- Apriete completamente el tapón del depósito de combustible. Si el tapón del depósito de combustible no se aprieta, existe riesgo de incendio.
- Antes de arrancar el producto, llévalo a 3 m (10 pies) de distancia como mínimo del punto en el que llenó el depósito.
- No llene el depósito de combustible por completo. El calor hace que el combustible se expanda. Deje espacio libre en la parte superior del depósito de combustible.
- Nunca guarde una máquina con combustible en el depósito dentro de una habitación en la que haya fuentes de ignición como calentadores de agua, estufas o secadoras de ropa. Deje que el motor se enfríe antes de guardar la máquina en un sitio cerrado.

## Instrucciones de seguridad para el mantenimiento



**ADVERTENCIA:** Lea las siguientes instrucciones de advertencia antes de utilizar el producto.

- Los gases de escape del motor contienen monóxido de carbono, que es un gas inodoro, tóxico y muy peligroso. No arranque el motor en interiores ni en espacios cerrados.
- Antes de realizar el mantenimiento del producto, detenga el motor y desconecte el cable de encendido de la bujía.
- Utilice guantes protectores cuando realice el mantenimiento del equipo de corte. La cuchilla está muy afilada y se pueden producir cortes con mucha facilidad.
- Los accesorios y modificaciones en el producto que no estén aprobados por el fabricante pueden causar daños graves o la muerte. No modifique el producto. Utilice siempre accesorios autorizados por el fabricante.
- Si el mantenimiento no se realiza correctamente y de forma regular, aumenta el riesgo de lesiones y daños en el producto.
- Realice únicamente las tareas de mantenimiento que se indican en este manual del propietario. Todos los demás trabajos de mantenimiento deben llevarse a cabo en un taller de servicio Husqvarna autorizado.
- Lleve el producto a un taller de servicio Husqvarna autorizado para realizar el mantenimiento de forma regular.
- Cambie las piezas dañadas, desgastadas o rotas.

## Montaje

### Montaje del manillar

1. Coloque el tornillo (A) a través del manillar (B), la arandela de plástico (C) y el soporte del manillar (D). (Fig. 17)
2. Apriete la tuerca (E) completamente.
3. Coloque el tornillo (F) a través de la arandela (G) y el soporte del manillar.
4. Apriete la ruedecilla (H) por completo.
5. Alinee los orificios de la parte superior del manillar con los de la parte inferior y fije los tornillos, arandelas y ruedecillas. Apriete las ruedecillas por completo. (Fig. 18)
6. Fije los cables al manillar con los soportes. (Fig. 19)

**Nota:** Asegúrese de los cables no estén demasiado tensos. Una tensión demasiado alta puede provocar daños en el cable si el manillar se pliega en la posición de transporte.

7. Coloque los cables alrededor del gancho en la parte inferior del manillar. (Fig. 20)

### Para regular la altura del manillar

1. Afloje las ruedecillas inferiores. (Fig. 21)
2. Retire la ruedecilla, la arandela y el tornillo del lado izquierdo y del derecho.
3. El manillar puede ajustarse en 2 alturas diferentes. Vuelva a colocar los tornillos en uno de los 2 orificios del lado izquierdo y del derecho. (Fig. 22)
4. Fije los tornillos, las arandelas y las ruedecillas.
5. Mueva las ruedecillas hacia arriba, en dirección al manillar, hasta que finalice su recorrido y escuche un clic. Apriete las ruedecillas por completo. (Fig. 23)

### Para ajustar el producto en la posición de transporte

1. Retire el recogedor de césped.
2. Afloje las ruedecillas del manillar superior y pliegue este hacia abajo. (Fig. 24)
3. Afloje las ruedecillas inferiores.
4. Mueva las ruedecillas hacia el extremo inferior de las ranuras en el lado izquierdo y derecho del producto. (Fig. 25)
5. Doble el mango hacia delante. (Fig. 26)

### Ajuste del producto en la posición de trabajo

1. Levante el manillar hasta que la parte inferior de este quede bloqueado en la posición de trabajo. (Fig. 27)
2. Mueva las ruedecillas hacia arriba, en dirección al manillar, hasta que finalice su recorrido y escuche un clic.
3. Apriete las ruedecillas a fondo. (Fig. 28)
4. Levante la parte superior del manillar.
5. Apriete las ruedecillas a fondo. (Fig. 29)

### Para montar el recogedor de césped

1. Coloque la parte superior del recogedor de césped sobre la parte inferior del mismo. (Fig. 30)
2. Fije el bastidor del recogedor de césped con los clips. (Fig. 31)
3. Levante la cubierta trasera.
4. Encaje los ganchos del recogedor de césped en el borde superior del chasis. (Fig. 32)

- Coloque la parte inferior del recogedor de césped en el canal de descarga.

---

## Funcionamiento

---

### Introducción



**ADVERTENCIA:** Antes de utilizar el producto, debe leer y entender el capítulo sobre seguridad.



**PRECAUCIÓN:** Cambie el filtro de combustible una vez al año o más a menudo si fuera necesario. Puede adquirir un nuevo filtro de combustible a través de su distribuidor Husqvarna.

### Husqvarna Connect

Husqvarna Connect es una aplicación gratuita para su dispositivo móvil. La aplicación Husqvarna Connect proporciona más funciones para su producto Husqvarna:

- Información ampliada sobre el producto.
- Información y asistencia sobre piezas y mantenimiento de productos.



**PRECAUCIÓN:** Pare siempre el motor antes de añadir combustible.



**PRECAUCIÓN:** No utilice líquidos de arranque presurizados.

### Para empezar a utilizar Husqvarna Connect

- Descargue la aplicación Husqvarna Connect en su dispositivo móvil.
- Registre una cuenta en la aplicación Husqvarna Connect.
- Siga las instrucciones de la aplicación Husqvarna Connect para conectarse y registrar el producto.

- Abra el tapón del depósito de combustible lentamente para liberar la presión.
- Llene el depósito lentamente con una lata de combustible. Si derrama combustible, límpielo con un paño y deje que el combustible restante se seque. (Fig. 33)
- Limpie la zona alrededor del tapón del depósito de combustible.
- Apriete completamente el tapón del depósito de combustible. Si el tapón del depósito de combustible no se aprieta, existe riesgo de incendio.
- Antes de arrancar el producto, llévalo a 3 m (10 pies) de distancia como mínimo del punto en el que llenó el depósito.

### Antes de utilizar el producto

- Lea detenidamente el manual de usuario y asegúrese de que entiende las instrucciones.
- Examine el equipo de corte para asegurarse de que está conectado y ajustado correctamente. Consulte *Para inspeccionar el equipo de corte en la página 98.*
- Llene el depósito de combustible. Consulte *Repostaje de combustible en la página 96.*
- Llene el depósito de aceite y realice una comprobación del nivel de aceite. Consulte *Comprobación del nivel de aceite en la página 99.*

### Para ajustar la altura de corte

- Mueva la palanca de altura de corte hacia atrás para aumentar la altura de corte.
- Mueva la palanca de altura de corte hacia delante para reducir la altura de corte. (Fig. 34)

### Repostaje de combustible

Si puede, utilice gasolina con bajas emisiones/alquilatos. Si no puede utilizar gasolina con bajas emisiones/alquilatos, utilice una gasolina sin plomo o gasolina con plomo de buena calidad con un octanaje no inferior a 91.



**PRECAUCIÓN:** No ajuste la altura de corte demasiado baja. Las cuchillas pueden golpear el suelo si la superficie del césped no está nivelada.



**PRECAUCIÓN:** No utilice gasolina con un octanaje inferior a 91 octanos RON. Esto puede provocar daños en el producto.

### Para arrancar el producto

- Asegúrese de que el cable de encendido está conectado a la bujía.
- Manténgase detrás del producto.
- Sujete la maneta del freno del motor contra el manillar. (Fig. 35)
- Sostenga la empuñadura de arranque con la mano derecha.



5. Tire lentamente de la cuerda de arranque hasta sentir cierta resistencia.
6. Tire con fuerza para arrancar el motor.



**ADVERTENCIA:** No se enrolle la cuerda de arranque alrededor de la mano.

## Uso de la transmisión de las ruedas

- Empuje el mango de transmisión hacia el manillar. (Fig. 36)
- Suelte el mango de transmisión para desacoplar la transmisión, por ejemplo, cuando se acerque a un obstáculo.
- Antes de tirar del producto hacia atrás, desacople la transmisión y empuje el producto hacia adelante aproximadamente 10 cm.

## Para detener el producto

- Para detener solo la transmisión, basta con soltar el mango de transmisión.

- Para detener el motor, suelte la maneta del freno del motor.

## Para obtener un buen resultado

- Use siempre una cuchilla afilada. Una cuchilla roma proporciona un resultado irregular y la superficie de corte de la hierba adquiere un tono amarillo. Una cuchilla afilada también utiliza menos energía que una cuchilla roma.
- No corte más de  $\frac{1}{3}$  de la longitud del césped. Corte primero con una altura de corte alta. Examine el resultado y baje la altura de corte al nivel que corresponda. Si la hierba está muy larga, vaya despacio y corte dos veces si es necesario.
- Corte en direcciones distintas cada vez para evitar crear rayas en el césped.
- Mantenga limpia la cubierta del equipo de corte. La acumulación de hierba y suciedad en el interior de esta cubierta puede reducir el resultado del corte. Consulte la sección *Para limpiar la superficie interior de la cubierta de corte en la página 98.*

# Mantenimiento

## Introducción



**ADVERTENCIA:** Antes de realizar cualquier trabajo de mantenimiento, debe leer y entender el capítulo sobre seguridad.

Para todos los trabajos de mantenimiento y reparación del producto, es necesario realizar una formación especial. Husqvarna garantiza que los trabajos de mantenimiento y reparación sean realizados por profesionales. Si su distribuidor no es un taller de servicio, pídale información sobre el taller de servicio más cercano.

Para obtener información detallada, consulte .

## Programa de mantenimiento



**PRECAUCIÓN:** Asegúrese de que el filtro de aire esté hacia arriba y no contra el suelo cuando incline el producto. Podría dañar el motor.

Los intervalos de mantenimiento se calculan a partir del uso diario del producto. Los intervalos cambian si el producto no se utiliza a diario.

Para las tareas de mantenimiento identificadas con un \*, consulte las instrucciones de *Dispositivos de seguridad en el producto en la página 94.*

Mantenimiento	Diario	Mensual	Cada temporada
Inspección general	X		
Compruebe el nivel de aceite	X		
Cambie el aceite (la primera vez a las 5 horas de uso; después, cada 50 h de uso) <sup>43</sup>			X
Limpie el producto	X		
Inspeccione el equipo de corte	X		
Examine la cubierta de corte *	X		
Examine de la maneta del freno del motor*	X		

<sup>43</sup> Si se utiliza el producto con una carga pesada o a temperaturas elevadas, sustituya el aceite del motor cada 25 horas.

Mantenimiento	Diario	Mensual	Cada temporada
Inspeccione el silenciador*		X	
Examine la bujía. Limpie o sustituya la bujía si fuese necesario			X
Inspección del filtro de aire	X		
Limpie el filtro de aire <sup>44</sup>		X	
Sustituya el filtro de aire			X
Inspeccione el sistema de combustible			X
Limpie las aletas de refrigeración del cilindro		X	
Inspeccione y ajuste el cable de embrague (LC 140SP)			X

## Para realizar una inspección general

- Asegúrese de que todas las tuercas y los tornillos del producto estén apretados correctamente.

## Para limpiar el producto externamente

- Use un cepillo para retirar las hojas, la hierba y la suciedad.
- Asegúrese de que la toma de aire de la parte superior del motor no esté obstruida.
- No utilice un equipo de limpieza a alta presión para limpiar el producto.
- Si utiliza agua para limpiar el producto, no dirija el chorro directamente sobre el motor.

## Para limpiar la superficie interior de la cubierta de corte

- Vacíe el depósito de combustible.
- Incline el producto. Asegúrese de que la bujía apunte hacia arriba.



**PRECAUCIÓN:** Si el producto se pone con el filtro de aire hacia abajo, el motor puede dañarse.

- Limpie la superficie interior de la cubierta de corte con una manguera de agua.

## Para inspeccionar el equipo de corte



**ADVERTENCIA:** Para evitar el arranque accidental, desconecte el cable de encendido de la bujía.



**ADVERTENCIA:** Utilice guantes protectores cuando realice el mantenimiento del equipo de corte. La cuchilla está muy

afilada y se pueden producir cortes con mucha facilidad.

- Inspeccione el equipo de corte para comprobar si presenta daños o grietas. Sustituya siempre un equipo de corte dañado.
- Inspeccione la cuchilla para comprobar si está dañada o roma.

**Nota:** Después de afilar la cuchilla, es necesario equilibrarla. El afilado, la sustitución y el equilibrado de la cuchilla deben realizarse en un centro de servicio. Si choca con un obstáculo que haga que el producto se pare, sustituya la cuchilla dañada. Lleve el producto a un centro de servicio, donde estimarán si la cuchilla puede afilarse o debe sustituirse.

## Sustitución de la cuchilla

- Bloquee la cuchilla con un bloque de madera. (Fig. 37)
- Retire el tornillo y la arandela de presión de la cuchilla.
- Extraiga la cuchilla.
- Examine el soporte de la cuchilla y el tornillo de la cuchilla para comprobar si presentan daños.
- Inspeccione el eje del motor para asegurarse de que no está doblado.
- Cuando instale la nueva cuchilla, colóquela con los extremos en ángulo en dirección a la cubierta del equipo de corte. (Fig. 38)
- Asegúrese de que la cuchilla quede alineada con el centro del eje del motor.
- Bloquee la cuchilla con un bloque de madera. Coloque la arandela de presión, y apriete el tornillo y la arandela a un par de 45–60 Nm. (Fig. 39)

<sup>44</sup> Límpielo con mayor frecuencia en condiciones polvorientas o cuando haya residuos en el aire. Si está muy sucio, sustituya el filtro de aire.

9. Mueva la cuchilla en distintas direcciones manualmente y compruebe que gira libremente.



**ADVERTENCIA:** Utilice guantes de protección de alta resistencia. La cuchilla está muy afilada y se pueden producir cortes con mucha facilidad.

10. Arranque el producto para hacer una prueba de la cuchilla. Si la cuchilla no está correctamente fijada, se producirán vibraciones en el producto o el resultado del corte no será satisfactorio.

## Comprobación del nivel de aceite



**PRECAUCIÓN:** Un nivel de aceite demasiado bajo puede causar daños en el motor. Compruebe el nivel de aceite antes de arrancar el producto.

1. Coloque el producto sobre una superficie nivelada.
2. Retire el tapón del depósito de aceite y la varilla de nivel acoplada.
3. Limpie el aceite de la varilla de nivel de aceite.
4. Para obtener un resultado correcto del nivel de aceite, introduzca la varilla completamente en el depósito. No coloque el tapón del depósito de aceite.
5. Retire el tapón del depósito de aceite y la varilla de nivel acoplada.
6. Compruebe el nivel de aceite que indica la varilla.
7. Si el nivel de aceite es bajo, rellene el depósito con aceite de motor y vuelva a comprobar el nivel. (Fig. 40)

**Nota:** Utilice un embudo para evitar derrames.

8. Una vez que el nivel de aceite sea el adecuado, coloque el tapón del depósito de aceite.

## Sustitución del aceite del motor



**ADVERTENCIA:** El aceite del motor está muy caliente inmediatamente después de apagar el motor. Deje que el motor se enfríe antes de vaciar el aceite del motor. Si derrama aceite del motor y entra en contacto con la piel, lávese con agua y jabón.

(Fig. 41)

1. Ponga el producto en funcionamiento hasta que el depósito de combustible se vacíe.
2. Quite el cable de encendido de la bujía.
3. Retire el tapón del depósito de aceite y la varilla de nivel acoplada.

4. Coloque un recipiente debajo del producto para recoger el aceite del motor.
5. Incline el producto y drene el aceite del motor del depósito de aceite con una bomba de aceite (accesorio).
6. Llene el depósito con aceite de motor nuevo del tipo recomendado en *Datos técnicos en la página 102*.
7. Compruebe el nivel de aceite. Consulte *Comprobación del nivel de aceite en la página 99*.
8. Una vez que el nivel de aceite sea el adecuado, coloque el tapón del depósito de aceite.

## Limpieza de los filtros de espuma



**PRECAUCIÓN:** No arranque el motor sin el filtro de aire instalado. El desgaste del motor aumenta si el aire está sucio.

1. Retire la cubierta del filtro de aire (A). (Fig. 42)
2. Saque los filtros de espuma (B).



**PRECAUCIÓN:** Examine los filtros de espuma en busca de daños o desgaste. Sustituya todos los filtros de espuma dañados.

3. Limpie los filtros de espuma con agua y jabón.
4. Enjuague los filtros de espuma con agua limpia.
5. Escurra el agua de los filtros de espuma y deje que se sequen.



**PRECAUCIÓN:** No utilice aire comprimido. Esto puede provocar daños en los filtros de espuma.

6. Lubrique los filtros de espuma plástica con aceite de motor.
7. Frote los filtros de espuma plástica con un paño limpio para retirar el aceite sobrante.
8. Instale los filtros de espuma. Asegúrese de que los filtros de espuma sellen completamente contra el soporte del filtro de aire.
9. Instale la cubierta del filtro de aire.

## Mantenimiento de la bujía



**PRECAUCIÓN:** Utilice siempre el tipo de bujía recomendado. El uso de un tipo de bujía incorrecto puede causar averías en el producto.

- Examine la bujía si el motor tiene poca potencia, no es fácil de arrancar o no funciona correctamente al régimen de ralentí.
- Para reducir la suciedad en los electrodos de la bujía, siga estas instrucciones:

- a) Asegúrese de que el régimen de ralentí está bien ajustado.
  - b) Asegúrese de que la mezcla de combustible sea correcta.
  - c) Asegúrese de que el filtro de aire esté limpio.
  - Si la bujía está sucia, límpiela y asegúrese de que la distancia entre los electrodos sea la correcta, consulte *Datos técnicos en la página 102*. (Fig. 43)
  - Sustituya la bujía si fuese necesario.
2. Aleje la presilla de la manguera del depósito de combustible. (Fig. 44)
  3. Retire la manguera de combustible del depósito de combustible. Puede producirse una pequeña fuga de combustible. (Fig. 45)
  4. Retire el filtro del depósito de combustible. (Fig. 46)
  5. Coloque un filtro de combustible nuevo en el depósito.
  6. Conecte la manguera de combustible al depósito de combustible.
  7. Coloque la presilla de la manguera en su posición contra el depósito de combustible.

## Para inspeccionar el sistema de combustible

- Examine el tapón del depósito de combustible y la junta del tapón para comprobar que no presenten daños.
- Examine la manguera de combustible para asegurarse de que no haya fugas. Si la manguera de combustible está dañada, lleve el producto a un taller de servicio para sustituirla.

## Vaciado del depósito de combustible

1. Coloque un recipiente debajo del depósito de combustible.
2. Extraiga el tapón del depósito de combustible.
3. Presione las presillas de la manguera de combustible contra el carburador.
4. Retire la manguera de combustible del carburador.
5. Coloque la manguera del depósito de combustible en el recipiente y retire las presillas de la manguera.
6. Incline el producto para vaciar el combustible en el recipiente.

## Sustitución del filtro de combustible



**ADVERTENCIA:** Utilice guantes protectores.

1. Vacíe el depósito de combustible.

## Ajuste del cable del embrague (LC 140SP)

En las situaciones siguientes, es necesario reducir la longitud del cable del embrague:

- La transmisión de las ruedas no engrana cuando se tira del mango de transmisión o de la palanca de control de régimen.
- El producto se mueve lentamente con la transmisión de las ruedas engranada.

En las situaciones siguientes, es necesario alargar la longitud del cable del embrague:

- El producto se mueve sin que la transmisión de las ruedas esté engranada.
- Ajuste del cable del embrague:
  - a) Para reducir la longitud del cable del embrague, gire el tornillo de ajuste hacia la izquierda.
  - b) Para alargar la longitud del cable del embrague, gire el tornillo de ajuste hacia la derecha. (Fig. 47)

Si el producto continúa sin funcionar de manera satisfactoria después del ajuste, póngase en contacto con el distribuidor.

## Resolución de problemas del motor

Problema	Causa posible	Solución
El motor no arranca.	El cable de encendido no está conectado correctamente.	Conecte el cable de encendido a la bujía.
	El depósito de combustible está vacío.	Llene el depósito de combustible con el tipo de combustible adecuado.
	El combustible es antiguo.	Drene el depósito de combustible y el carburador. Reposte con gasolina nueva.
	Hay suciedad en el carburador o la tubería de combustible.	Limpie el carburador, la tubería de combustible o ambos.
	La bujía está dañada.	Ajuste la distancia entre los electrodos y limpie o sustituya la bujía.
	Hay combustible en la bujía.	Limpie la bujía.
El motor no para.	El mecanismo de parada no funciona correctamente.	Desconecte el cable de encendido de la bujía. Lleve el producto a un taller de servicio autorizado para su reparación.
El motor no funciona correctamente.	El cable de encendido no está conectado correctamente.	Conecte el cable de encendido a la bujía.
	Hay suciedad en la tubería de combustible o el combustible ha caducado.	Limpie la tubería de combustible. Llene el depósito de combustible con combustible nuevo del tipo correcto.
	Hay una obstrucción en el tapón del depósito de combustible.	Limpie el tapón del depósito de combustible.
	Hay agua o suciedad en el sistema de combustible.	Vacíe el depósito de combustible. Llene el depósito de combustible con combustible nuevo del tipo correcto.
	El filtro de aire está sucio.	Limpie el filtro de aire.
	Es necesario ajustar el carburador.	Lleve el carburador a un taller de servicio para que lo ajusten.
El motor se calienta demasiado.	El nivel de aceite del motor es demasiado bajo.	Reponga con aceite de motor.
	El caudal de aire no es suficiente.	Limpie el filtro de aire y la carcasa del filtro de aire.
	Es necesario ajustar el carburador.	Lleve el carburador a un taller de servicio para que lo ajusten.
Se produce un fallo de encendido en el motor cuando funciona a régimen alto.	La distancia entre los electrodos de la bujía es demasiado corta.	Ajuste la distancia entre los electrodos.

Problema	Causa posible	Solución
El motor emite ruidos extraños con una carga normal.	Tipo de gasolina incorrecto.	Drene el depósito de combustible y el carburador. Reposte con gasolina nueva. Consulte <i>Repostaje de combustible en la página 96</i> . Si el problema persiste, póngase en contacto con su taller de servicio más cercano.
El motor no funciona correctamente al ralentí.	La bujía está sucia o defectuosa, o la distancia entre los electrodos es demasiado grande.	Ajuste la distancia entre los electrodos o sustituya la bujía.
	Es necesario ajustar el carburador.	Ajuste el carburador.
	El filtro de aire está sucio.	Limpie el filtro de aire.

## Transporte, almacenamiento y eliminación

### Transporte y almacenamiento

- Para el transporte y almacenamiento del producto y del combustible, asegúrese de que no haya fugas ni humos. Las chispas o llamas abiertas, por ejemplo, de dispositivos eléctricos o calderas, pueden producir un incendio.
- Use siempre recipientes homologados para el transporte y almacenamiento de combustible.
- Vacíe el depósito de combustible antes de poner el producto en almacenamiento durante un largo periodo de tiempo. Deseche el combustible en una ubicación adecuada para su eliminación.
- Asegure el producto durante el transporte para evitar daños y accidentes.
- Mantenga el producto en un área cerrada para impedir el acceso a niños o personas no autorizadas.

- Mantenga el producto en un lugar seco y al abrigo de las heladas.

### Eliminación

- Respete los requisitos de reciclaje locales y las normas aplicables.
- Deseche todos los productos químicos, como el aceite de motor o el combustible, en un centro de servicio o una ubicación adecuada para su eliminación.
- Cuando ya no use el producto, envíelo a un distribuidor Husqvarna o deséchelo en un punto de reciclaje.

## Datos técnicos

### Datos técnicos

	LC 140P	LC 140SP
<b>Motor</b>		
Marca	Husqvarna	Husqvarna
Nombre del modelo del motor	HS 123A	HS 123A
Tipo de motor	Monocilíndrico, 4 tiempos, refrigeración forzada por aire, OHV	Monocilíndrico, 4 tiempos, refrigeración forzada por aire, OHV
Cilindrada, cm <sup>3</sup>	123	123
Velocidad, rpm	3000	3000

	LC 140P	LC 140SP
Potencia nominal del motor, kW <sup>45</sup>	1,95	1,95
<b>Sistema de encendido</b>		
Bujía	Husqvarna HQT-7	Husqvarna HQT-7
Distancia entre los electrodos, mm	0,7-0,8	0,7-0,8
<b>Sistema de combustible y lubricación</b>		
Tipo de lubricación del motor	Salpicadura	Salpicadura
Capacidad del depósito de combustible, litros	0,9	0,9
Capacidad del depósito de aceite, litros	0,5	0,5
Aceite del motor <sup>46</sup>	Husqvarna SAE 30, Husqvarna SAE 5W-30 sintético, Husqvarna SAE 10W-40	Husqvarna SAE 30, Husqvarna SAE 5W-30 sintético, Husqvarna SAE 10W-40
<b>Peso</b>		
Con los depósitos vacíos, kg	25,2	26,8
<b>Emisiones de ruido</b> <sup>47</sup>		
Nivel de potencia acústica medido, dB( A)	93	93
Nivel de potencia acústica garantizado, L <sub>WA</sub> dB(A)	94	94
<b>Niveles acústicos</b> <sup>48</sup>		
Nivel de presión sonora en el oído del operario, dB(A)	82	82
<b>Niveles de vibración</b> <sup>49</sup>		
Vibración en el manillar, m/s <sup>2</sup>	5,6	7,6
<b>Equipo de corte</b>		
Altura de corte, mm	25-75	25-75
Anchura de corte, mm	400	400
Sistema de corte	Recogida/descarga trasera	Recogida/descarga trasera
Cuchillas: estándar	Recogedor 5873863-10	Recogedor 5873863-10
Capacidad del recogedor de césped, litros	50	50
<b>Transmisión</b>		

<sup>45</sup> La potencia nominal del motor indicada es la potencia neta media (al régimen especificado) de un motor de producción típico para el modelo de motor conforme a la norma SAE J1349/ISO1585. Los motores fabricados en serie podrían presentar valores diferentes. La potencia de salida real del motor instalado en el producto final dependerá de la velocidad de funcionamiento, las condiciones medioambientales y otros valores.

<sup>46</sup> Utilice aceite de motor de calidad API SJ o superior. Si utiliza aceite SAE-30 a una temperatura inferior a +5 °C, existe el riesgo de que el motor no se lubrique correctamente. Esto puede ocasionar daños en el motor. Consulte la sección *Sustitución del aceite del motor en la página 99* para saber cuál es el aceite correcto para temperaturas bajas. Consulte la tabla de los valores de viscosidad en el manual del motor (si se incluye) y seleccione la mejor viscosidad según la temperatura ambiente prevista.

<sup>47</sup> Emisiones sonoras en el entorno medidas como potencia acústica (L<sub>WA</sub>) según la directiva 2000/14/CE.

<sup>48</sup> Los datos referidos del nivel de presión sonora tienen una dispersión estadística habitual (desviación típica) de 1,2 dB (A).

<sup>49</sup> Los datos referidos del nivel de vibración poseen una dispersión estadística habitual (desviación típica) de 0,2 m/s<sup>2</sup>.

	LC 140P	LC 140SP
Velocidad de movimiento, km/h	-	4



# Declaración de conformidad

## Declaración de conformidad CE

Nosotros, **Husqvarna AB**, SE-561 82 Huskvarna (Suecia), tel. +46-36-146500, declaramos bajo nuestra exclusiva responsabilidad que el producto:

<b>Descripción</b>	Cortacésped
<b>Marca</b>	Husqvarna
<b>Tipo/Modelo</b>	LC 140P, LC 140SP
<b>Identificación</b>	Números de serie a partir del año 2022

Cumple las siguientes directivas y normas de la UE:

<b>Norma</b>	<b>Descripción</b>
2006/42/CE	"relativa a las máquinas"
2014/30/UE	"relativa a la compatibilidad electromagnética"
2000/14/CE	"relativa a las emisiones sonoras en el entorno"
2011/65/UE	"relativa a restricciones de utilización de determinadas sustancias peligrosas en aparatos eléctricos y electrónicos"

Y que se aplican las especificaciones técnicas o los estándares siguientes: EN ISO 5395-1:2013/A1:2018, EN ISO 5395-2:2013/A1:2016/A2:2017, EN ISO 14982:2009, EN IEC 63000:2018

Organismo notificado: 0404, RISE SMP Svensk Maskinprovning AB, Box 4053, SE-904 03 Umeå, Sweden ha certificado la conformidad con la Directiva del Consejo 2000/14/CE, Procedimiento de evaluación de conformidad: Anexo VI.

Para obtener información respecto a las emisiones sonoras, consulte *Datos técnicos en la página 102*.

Huskvarna, 2022-09-27



Claes Losdal, director de desarrollo/productos para jardín de Husqvarna AB

Responsable de la documentación técnica



---

## Sisukord

---

Sissejuhatus.....	106	Mootori tõrkeotsing.....	114
Ohutus.....	107	Transportimine, hoiulepanek ja utiliseerimine.....	115
Kokkupanek.....	109	Tehnilised andmed.....	116
Töö.....	110	Vastavusdeklaratsioon.....	118
Hooldamine.....	111		

---

## Sissejuhatus

---

### Toote kirjeldus

Tooteks on lükatav ja pöörlev muruniiduk. Muru kogutakse rohukogurisse. Kui soovite, et muru väljutataks tagant, eemaldage rohukogur.

### Toote tutvustus

(Joon. 1)

1. Käepide/juhtraud
2. Veo käepide (LC 140SP)
3. Käivitusnööri käepide
4. Rohukogur
5. Kütusepaak
6. Õhufilter
7. Süüteküünal
8. Lõikekorpus
9. Summuti
10. Õlipaagi kork
11. Lõikekõrguse hoob
12. Tagumine kate
13. Mootori pidurikäepide
14. Sümbolid
15. Alumise käepideme koost
16. Alumine käepide
17. Kasutusjuhend
18. Õlilehter

### Sümbolid tootel

- (Joon. 2) HOIATUS! Olge ettevaatlik ja kasutage toodet õigesti. Toode võib tekitada kasutajale või teistele raske või surmava kehavigastuse.
- (Joon. 3) Enne seadme kasutamist lugege kasutusjuhend põhjalikult läbi ja veenduge, et kõik juhised oleksid täiesti arusaadavad.
- (Joon. 4) Olge ettevaatlik – lenduvate esemete ning tagasipõrkumise oht.
- (Joon. 5) Teised inimesed ja loomad peavad viibima tööalast ohutus kauguses.

### Kasutusotstarve

Kasuta toodet muru pügamiseks. Ära kasuta toodet muude tööde tegemiseks.

- (Joon. 6) Hoiatus! Hoidke käed ja jalad pöörlevast terast eemal.
- (Joon. 7) Hoiatus! Hoidke käed ja jalad pöörlevatest osadest eemal.
- (Joon. 8) Enne seadme remontimist või hooldamist seisake mootor ja eemaldage süütejuhe.
- (Joon. 9) See toode vastab kehtivatele EÜ direktiividele.
- (Joon. 10) Müraremissioonile viitav keskkonnasilt vastavalt ELi ja UK direktiividele ja määrustele ja Uus Lõuna-Walesi õigusaktile „Protection of the Environment Operations (Noise Control) Regulation 2017“. Toote garanteeritud helivõimsuse taseme andmed leiate jaotisest *Tehnilised andmed lk 116* ja sildilt.
- (Joon. 11) See toode vastab kehtivatele UK direktiividele.
- (Joon. 12) Tuleoht.
- (Joon. 13) Ärge hingake sisse heitgaase. Mootori heitgaasid sisaldavad vingugaasi, mis on lõhnatu, mürgine ja väga ohtlik. Ärge käivitage mootorit siseruumis ega suletud alal.
- (Joon. 14) Kuum pind.
- (Joon. 15) Enne toote käivitamist täitke mootor õliga.

**Märkus:** Tootel olevad ülejäänud sümboolid/tähised viitavad teatud ärivaldkondade sertifitseerimisnõuetele.

## Euro V heitmed



**HOIATUS:** Mootori igasugune modifitseerimine, muutmine või rikkumine tühistab toote EL-i tüübikinnituse.

## Toote kahjustused

Me ei vastuta meie tootele tekitatud kahjude eest, kui:

- toodet on valesti parandatud;
- toote parandamisel on kasutatud osi, mis ei ole tootja poolt valmistatud või heaks kiidetud;
- tootel on kasutatud tarvikut, mis ei ole tootja poolt valmistatud või heaks kiidetud;
- toodet ei ole parandatud volitatud hoolduskeskuses või volitatud isiku poolt.

## Ohutus

### Ohutuse määratlused

Mõistetega „hoiatus“, „ettevaatus“ ja „märkus“ juhitakse tähelepanu eriti olulistele kohtadele kasutusjuhendis.



**HOIATUS:** Tähistab kasutusjuhendi juhiste eiramise korral kasutaja või kõrvalseisjate kehavigastuse või surmaga lõppeva õnnetuse ohtu.



**ETTEVAATUST:** Tähistab kasutusjuhendi juhiste eiramise korral seadme, muude esemete või läheduses asuvate objektide kahjustamise ohtu.

**Märkus:** Tähistab antud olukorras vajalikku lisateavet.

### Üldised ohutuseeskirjad



**HOIATUS:** Enne toote kasutamist lugege läbi järgmised hoiatused.

- Seade on ohtlik, kui seda kasutada valesti või ettevaatamatult. Ohutuseeskirjade eiramine võib põhjustada kehavigastuse või surma.
- Toodet tekitab töötades elektromagnetvälja. Teatud tingimustel võib väli häirida aktiivsete või passiivsete meditsiiniliste implantaatide tööd. Raskete või surmaga lõppevate kehavigastuste ohtu vähendamiseks soovime meditsiinilisi implantaate kasutavatel inimestel pidada enne selle seadme kasutamist nõu oma arsti ja implantaadi valmistajaga.
- Olge alati ettevaatlik ja toimige arukalt. Kui te pole kindel, kuidas toodet eriolukorras kasutada, lõpetage töö ja pidage enne jätkamist nõu Husqvarna edasimüüjaga.
- Arvestage, et teiste isikute ja nende varaga seotud õnnetuste korral kannab vastutust seadme kasutaja.
- Hoidke seade puhas. Veenduge, et märgid ja tähised oleksid selgelt loetavad.

- Ärge lubage kellelgi toodet kasutada enne, kui ta on lugenud kasutusjuhendit ja selle sisu endale selgeks teinud.
- Ärge lubage lastel toodet käsitseda.
- Hoidke lapsed tööalast eemal. Vastutusvõimeline täiskasvanu peab kogu aeg kasutaja juures viibima.
- Ärge lubage kasutusjuhistega mitte tutvunud isikul toodet käsitseda.
- Kui seadet kasutab piiratud füüsiliste või vaimsete võimete isik, peab ta olema kogu aeg järelevalve all. Vastutusvõimeline täiskasvanu peab kogu aeg kasutaja juures viibima.
- Ärge kasutage toodet, kui olete väsinud, haige või tarvitanud alkoholi, narkootikume või ravimeid. Sellel on negatiivne mõju teie nägemisele, tähelepanuvõimele, liikumisele ja otsustamisvõimele.
- Ärge kasutage toodet, mis on kahjustatud või mis ei tööta korralikult.
- Ärge muutke seadet, nii et see ei vasta enam tehase originaalmodelle; ärge kasutage seadet, kui arvate, et seda on muutnud keegi teine.
- Ära muuda mootori kiiruse regulaatori seadistust.

### Tööala ohutus



**HOIATUS:** Enne seadme kasutamist lugege läbi järgnevad hoiatused.

- Enne toote kasutamist eemaldage tööalalt oksad ja kivid.
- Lõikeosaga kokku puutuvad esemed võivad õhku paiskuda ning inimesi vigastada ja esemeid kahjustada. Juuresolijad ja loomad peavad viibima tootest ohutus kauguses.
- Ärge kasutage toodet halva ilmaga, näiteks udu, vihma, tugeva tuule, tugeva pakase ja pikseohtu korral. Toodet kasutamine halva ilma ning niiskete ja märgade tingimuste korral on väsitav. Halb ilm võib põhjustada ohtlikke tingimusi (nt libedaid pindu).
- Suhtuge tähelepanelikult inimestesse, esemetesse ja olukordadesse, mis võivad takistada toote ohutut kasutamist.

- Olge ettevaatlik takistuste (nt juurte, kivide, oksade, aukude ja kraavide) suhtes. Kõrge rohi võib peita takistusi.
- Muru niitmine kallakutel võib olla ohtlik. Ärge kasutage toodet alal, mille kalle ületab 15°.
- Kasutage toodet kallakul risti liikudes. Ärge liikuge üles ja alla.
- Olge ettevaatlik varjatud nurkade ja vaatevälja varjavate esemete läheduses.

- Enne lõikamiskõrguse muutmist seisake mootor. Ärge tehke seadistusi, kui mootor töötab.
- Ärge laske toodet silmist, kui mootor töötab. Seisake mootor ja veenduge, et lõikeosa ei pöörleks.

## Ohutusjuhised kasutamisel

### Isikukaitsevahendid



**HOIATUS:** Enne seadme kasutamist lugege läbi järgnevad hoiatused.

- Isikukaitsevarustus ei välista täielikult kehavigastuste ohtu, kuid vähendab õnnetusjuhtumi korral kehavigastuse raskusastet. Õige varustuse valimiseks pöörduge edasimüüja poole.
- Kui müratase ületab 85 dB, kandke kuulmiskaitseid.
- Kandke vastupidavaid saapaid või jalatseid, mis on libisemiskindlad. Ärge kandke avatud jalatseid ega olge paljajalu.
- Kandke tugevaid pikki pükse.
- Vajaduse korral kandke kaitsekindaid, näiteks lõikeosa kinnitades, kontrollides või puhastades.

### Toote ohutusseadised



**HOIATUS:** Enne toote kasutamist lugege läbi järgmised hoiatused.

- Ärge kasutage toodet, mille ohutusseadmed on kahjustatud või ei tööta korralikult.
- Kontrollige ohutusseadmeid regulaarselt. Kui ohutusseadmed on kahjustatud või ei tööta korralikult, pöörduge Husqvarnahooldustöökoja poole.
- Ärge tehke muudatusi ohutusseadmetes.

### Lõikeosa kate kontrollimine

Lõikeosa kate vähendab toote vibratsiooni ja lõiketerast tingitud vigastuste ohtu.

- Kontrollige lõikeosa kahjustuste (nt pragude) suhtes.

### Mootori pidurikäepide kontrollimine

Mootori pidurikäepideme abil saab mootori seisata. Mootori pidurikäepideme vabastamisel mootor seisukub.

- Käivitage mootor ja vabastage seejärel mootori pidurikäepide. Kui mootor kolme sekundi jooksul ei seisku, laste mootorpidurit reguleerida Husqvarna volitatud hooldustöökojas. (Joon. 16)

### Summuti

Summuti ülesandeks on hoida müratase võimalikult madalal ja suunata mootori heitgaasid kasutajast eemale.

## Tööohutus



**HOIATUS:** Enne seadme kasutamist lugege läbi järgnevad hoiatused.

- Kasutage seda toodet ainult muru niitmiseks. Muude toimingute tegemiseks toodet kasutada ei tohi.
- Kasutage isikukaitsevahendeid. Vt jaotist *Isikukaitsevahendid lk 108*.
- Veenduge, et teate, kuidas hädaolukorras mootorit kiiresti seisata.
- Ärge käivitage mootorit suletud ruumis ega tuleohtlike materjalide lähedal. Mootori heitgaasid on kuumad ja võivad sisaldada sädemeid, mis võivad tekitada tulekahju.
- Ärge kasutage toodet enne, kui lõiketera ja katted on õigesti kinnitatud. Valesi kinnitatud lõiketera võib lahti tulla ja inimesi vigastada.
- Veenduge, et lõiketera ei puutuks kokku esemetega (nt kivide ja juurtega). See võib lõiketera kahjustada ja põhjustada mootori võlli väändumist. Paindega telg põhjustab tugevat vibratsiooni ja suurt lõiketera lahtitulemise ohtu.
- Kui lõiketera puutub kokku mõne esemega või esineb vibratsioon, peatage toode viivitamatult. Lahutage süüteküünla süütejühe. Kontrollige toodet kahjustuste suhtes. Parandage kahjustused või laske toodet remontida volitatud hooldustöökojas.
- Kui mootor töötab, ärge kinnitage mootori pidurikäepidemele käepidemele jäädavalt.
- Asetage toode stabiilsele ja tasasele pinnale ning käivitage see. Veenduge, et lõiketera ei puutuks vastu maad ega muid esemeid.
- Olge toote kasutamisel alati toote taga.
- Toote kasutamisel hoidke mõlema käega käepidemest ja kõik toote rattad maas. Hoidke käed ja jalad liikuvatest teradest eemal.
- Kui mootor on käivitatud, ärge kallutage toodet.
- Olge toote tagasisuunas tõmbamisel ettevaatlik.
- Kui mootor on käivitatud, ärge tõstke toodet. Kui teil on vaja toodet tõsta, seisake esmalt mootor ja lahutage süütejühe süüteküünlast.
- Ärge kõndige toote kasutamise ajal tagurpidi.
- Seisake mootor, kui liigute alal, kus pole muru, näiteks kruusast, kivist ja asfaldist teedel.
- Ärge lükake toodet joostes, kui mootor on käivitatud. Toote kasutamise ajal kõndige.

Ärge kasutage toodet, kui summuti puudub või on kahjustatud. Kahjustatud summuti tõstab mürataset ja suurendab tulekahju ohtu.



**HOIATUS:** Seadme töötamise ajal ja vahetult pärast töötamist ning mootori tühikäigul töötamise ajal on summuti väga kuum. Tulekahju vältimiseks olge tuleohtlike materjalide ja/või aurude läheduses väga ettevaatlik.

## Ohutusnõuded kütuse käsitlemisel



**HOIATUS:** Enne toote kasutamist lugege läbi järgmised hoiatused.

- Ärge käivitage toodet, kui toote pinnale on sattunud kütust või mootoriõli. Eemaldage kütus/õli toote pinnalt ja laske tootel kuivada.
- Kui kütus satub rõivastele, siis vahetage kohe riideid.
- Vältige kütuse sattumist nahale, see võib põhjustada kehavigastusi. Kui kütus satub kehale, puhastage piirkond seebi ja veega.
- Ärge käivitage toodet, kui mootor lekib. Kontrollige regulaarselt mootori lekkekindlust.
- Olge kütuse käsitlemisel ettevaatlik. Kütus on tuleohtlik ja kütuse aarud on plahvatusohtlikud ning võivad põhjustada kehavigastusi või surma.
- Ära hinga sisse kütuseaera – see võib põhjustada kehavigastuse. Taga piisav õhuvahetus.
- Ärge suitsetage kütuse ega mootori läheduses.
- Ärge asetage kuumi esemeid kütuse ega mootori lähedusse.
- Ärge tankige kütust, kui mootor töötab.
- Enne tankimise alustamist veenduge, et mootor oleks külm.
- Enne tankimise alustamist avage aeglaselt kütusepaagi kork ja laske survel alaneda.
- Ärge tankige mootorit siseruumis. Ebapiisav õhuvahetus võib põhjustada lämbumisest või

vingugaasimürgistusest tingitud kehavigastuse või surma.

- Keerake kütusepaagi kork korralikult kinni. Kütusepaagi korgi lõtv kinnitus põhjustab tuleohtu.
- Enne käivitamist vii toode vähemalt 3 m kaugusele kohast, kus toimus kütusepaagi täitmine.
- Ärge täitke kütusepaaki täielikult. Soojuste mõjul kütus paisub. Jätke kütusepaagi ülaserava vaba ruumi.
- Ärge kunagi jätke toodet pikemaks ajaks seisma hoonesse, kui kütus on paagis ja süüteallikad läheduses, nt veeboilerid, puhurid või kuivatid. Enne hoones säilitamist laske mootoril esmalt jahtuda.

## Ohutusjuhised hooldamisel



**HOIATUS:** Enne seadme kasutamist lugege läbi järgnevad hoiatused.

- Mootori heitgaasid sisaldavad vingugaasi: lõhnutat, mürgist ja väga ohtlikku gaasi. Ärge käivitage mootorit siseruumis ega suletud alal.
- Enne toote hooldamist seisake mootor ja eemaldage süüteküünla süütejühe.
- Lõikeosa hooldamisel kandke kaitsekindaid. Lõiketera on väga terav ja võib kergesti põhjustada lõikevigastusi.
- Tootja heakskiiduta tarvikud ja muudatused toote juurest võivad põhjustada tõsiseid kehavigastusi või surma. Ärge muutke toodet. Kasutage tootja heakskiidetud tarvikuid.
- Kui toodet regulaarselt ja õigesti ei hooldata, suureneb oht, et toode saab kahjustada ja võib kedagi vigastada.
- Hooldage toodet ainult selle kasutusjuhendi järgi. Muid hooldustöid tuleb lasta teha Husqvarna heakskiiduga hooldustöökojas.
- Laske toodet regulaarselt hooldada Husqvarna heakskiiduga hooldustöökojas.
- Asendage kahjustatud, kulunud ja katkised osad.

## Kokkupanek

### Käepideme kokkupanek

1. Lükka kruvi (A) läbi käepideme (B), plastseibi (C) ja käepideme tugikronsteini (D). (Joon. 17)
2. Keera mutter (E) täiesti kinni.
3. Lükka kruvi (F) läbi seibi (G) ja käepideme tugikronsteini.
4. Keera nupp (H) täiesti kinni.
5. Asetage alumise käepideme avad kohakuti juhraua avadega ning paigaldage poldid, seibid ja nupud. Keerake nupud korralikult kinni. (Joon. 18)
6. Kinnitage kaablid kaablihooidikute abil käepideme külge. (Joon. 19)

**Märkus:** Veenduge, et kaablid poleks liigselt pingul. Kui kaablid on liiga pingul, võivad need käepideme transportasendisse pööramisel kahjustada saada.

7. Asetage kaablid ümber käepideme all oleva konksu. (Joon. 20)

### Käepideme kõrguse reguleerimine

1. Keerake alumised hoovad lahti. (Joon. 21)
2. Eemaldage vasakult ja paremalt küljelt nupp, seib ja kruvi.

3. Käepideme saab seada 2 eri kõrgusele. Asetage kruvi ühte kahest august vasakul ja paremal küljel. (Joon. 22)
4. Paigaldage kruvid, seibid ja nupud.
5. Liigutage nuppusid üles käepideme suunas, kuni need peatuvad ja kostub klõpsatus. Keerake nupud korralikult kinni. (Joon. 23)

## Seadme seadmine transportasendisse

1. Eemalda rohukogur.
2. Keera lahti ülemise käepideme nupud ja pööra käepide alla. (Joon. 24)
3. Keera alumised hoovad lahti.
4. Liiguta nupud toote vasakul ja paremal küljel olevatesse soonetesse. (Joon. 25)
5. Keera käepide ettepoole. (Joon. 26)

## Toote seadmine tööasendisse

1. Tõsta juhtrauda, kuni alumine käepide lukustub tööasendisse. (Joon. 27)

2. Liiguta nuppusid üles käepideme suunas, kuni need peatuvad ja kostub klõpsatus.
3. Keera nupud korralikult kinni. (Joon. 28)
4. Tõsta juhtraua ülemist osa.
5. Keera nupud korralikult kinni. (Joon. 29)

## Rohukoguri kokkupanek

1. Asetage rohukoguri ülemine osa rohukoguri alumise osa peale. (Joon. 30)
2. Kinnitage rohukoguri raam klambritega. (Joon. 31)
3. Kergitage tagakaant.
4. Kinnitage rohukoguri konksud raami ülaservale. (Joon. 32)
5. Asetage rohukoguri alaosa muru väljaviskekanaalisse.

---

# Töö

---

## Sissejuhatus



**HOIATUS:** Enne seadme kasutamist lugege põhjalikult läbi ohutust puudutav jaotis.

## Husqvarna Connect

Husqvarna Connect on mobiilsideseadmetele mõeldud tasuta rakendus. Rakendus Husqvarna Connect annab teie Husqvarna tootele lisafunktsionaalsuse:

- Täiendav tooteteave.
- Toote osade ja hoolduse alane teave ja abi.

## Toote Husqvarna Connect kasutamise alustamine

1. Laadige Husqvarna Connect rakendus oma mobiilsideseadmesse.
2. Registreeruge Husqvarna Connect rakenduses.
3. Toote ühendamiseks ja registreerimiseks järgige Husqvarna Connect rakenduse juhiseid.

## Enne toote kasutamist

1. Lugege kasutusjuhend põhjalikult läbi, et kõik juhised oleksid täiesti arusaadavad.
2. Veenduge, et lõikeosa oleks õigesti kinnitatud ja reguleeritud. Vt jaotist *Lõikeosa kontrollimine lk 112*.
3. Täitke kütusepaak. Vt jaotist *Kütuse tankimine lk 110*.
4. Täitke õlipaak ja kontrollide õlitaset. Vt jaotist *Kontrollige õlitaset lk 113*.

## Kütuse tankimine

Võimaluse korral kasuta keskkonnasäästlikku kütust või alkülaatkütust. Kui keskkonnasäästlikku kütust või alkülaatkütust pole käepärast, kasuta hea kvaliteediga etüleerimata või etüleeritud bensiini, mille oktaanarv on vähemalt 91.



**ETTEVAATUST:** Ära kasuta bensiini, mille oktaanarv on alla 91 RON. See võib seadet kahjustada.



**ETTEVAATUST:** Vaheta kütusefiltrit kord aastas või vajaduse korral sagedamini. Uue kütusefiltri saab muretseda meie Husqvarna edasimüüjalt.



**ETTEVAATUST:** Enne kütuse tankimist seiska mootor.



**ETTEVAATUST:** Ära kasuta survestatud käivitusvedelikke.

1. Surve vabastamiseks avage kütusepaagi kork aeglaselt.
2. Lisage kütust aeglaselt kütusekanistrist. Mahavalgumise korral eemaldage osa kütust lapiga ja laske ülejäänul ära kuivada. (Joon. 33)
3. Puhastage kütusepaagi korgi ümbrus.

- Keerake kütusepaagi kork korralikult kinni. Kütusepaagi korgi lõtv kinnitus põhjustab tuleohtu.
- Enne käivitamist vii toode vähemalt 3 m kaugusele kohast, kus toimus kütusepaagi täitmine.

## Lõikamiskõrguse reguleerimine

- Lõikamiskõrguse suurendamiseks tõmmake lõikamiskõrguse hooba tagasisuunas.
- Lõikamiskõrguse vähendamiseks lükake lõikamiskõrguse hooba edasisuunas. (Joon. 34)



**ETTEVAATUST:** Ärge seadistage lõikamiskõrgust liiga madalaks. Kui muru pole tasane, võivad lõiketerad puutuda vastu maad.

## Toote käivitamine

- Veenduge, et süütejuhe ja süüteküünel oleksid omavahel ühendatud.
- Olge toote taga.
- Hoidke mootori pidurikäepidet juhtraua vastas. (Joon. 35)
- Hoidke starteri nööri käepidet paremas käes.
- Tõmmake starteri nööri väljasuunas, kuni tunnete vastujõudu.
- Tõmmake hooga, nii et mootor käivitub.



**HOIATUS:** Käivitusnööri ei tohi kerida käe ümber.

## Veo kasutamine ratastel

- Lükake veo käepidet juhtraua suunas. (Joon. 36)
- Veo vabastamiseks vabastage veo käepide näiteks siis, kui lähenete takistusele.
- Enne seadme tagasisuunas tõmbamist vabastage vedu ja lükake seadet umbes 10 cm edasisuunas.

## Toote seiskamine

- Veo peatamiseks vabastage veojõu käepide.
- Mootori seiskamiseks vabastage mootoripiduri käepide.

## Hea tulemuse saavutamiseks

- Kasutage vahedat lõiketera. Nüri tera annab ebaühtlase tulemuse ja muru lõigatud osa muutub kollaseks. Terav lõiketera on nüri teraga võrreldes energiasäästlikum.
- Lõigake kuni pool muru pikkusest. Niitke kõigepealt kõrgele reguleeritud lõikamiskõrgusega. Vaadake tulemust ja seadistage lõikamiskõrgus soovitud madalamale tasemele. Kui muru on väga pikk, sõitke aeglaselt ja vajadusel niitke kaks korda.
- Niitke iga kord erinevas suunas, et ära hoida triipude tekkimist murule.
- Hoidke lõikamiskate puhtana. Lõikamiskatte siseküljele kogunevad rohuäägid ja mustus võivad lõikamise tõhusust vähendada. Vt jaotist *Lõikekorpuse sisepinna puhastamine lk 112*.

# Hoodamine

## Sissejuhatus



**HOIATUS:** Enne seadme hooldamist lugege põhjalikult läbi ohutust puudutav peatükk.

Seadme hooldamiseks ja remontimiseks on vaja erioskusi. Tagame asjatundliku remondi- ja hooldustöö. Kui edasimüüjal, kellelt toote ostsite, pole hooldustöökooda, küsige neilt teavet lähima hooldustöökoja kohta.

Lisateavet vt .

## Hoolduskeem



**ETTEVAATUST:** Toote kallutamisel veendu, et õhufilter oleks üleval, mitte vastu maad. Mootori kahjustamise oht.

Hooldusintervallide arvutamisel on aluseks võetud toote igapäevane kasutamine. Intervallid muutuvad, kui toodet igapäevaselt ei kasutata.

Tärniga (\*) tähistatud hooldustööde kohta leiате juhised peatükist *Toote ohutusseadised lk 108*.

Hoodamine	Üks kord päevas	Üks kord kuus	Igal hooajal
Tee üldkontroll	X		
Kontrolli õlitaset	X		

Hooldamine	Üks kord päevas	Üks kord kuus	Igal hooajal
Õlivahetus (esmaltpärast 5 töötundi, seejärel iga 50 töötundi järel) <sup>50</sup>			X
Toote puhastamine	X		
Kontrolli löikevarustust	X		
Kontrolli löikekorpusi *	X		
Kontrolli mootori pidurikäepideti *	X		
Kontrolli summutit *		X	
Kontrolli süüteküünalt. Vajaduse korral vaheta süüteküünal välja või puhasta seda.			X
Kontrolli õhufiltrit	X		
Puhasta õhufilter <sup>51</sup>		X	
Vaheta õhufilter			X
Kontrolli kütusesüsteemi			X
Puhasta silindri jahutusribid.		X	
Kontrolli ja reguleeri siduritrossi tootel (LC 140SP)			X

## Üldülevaatus läbiviimine

- Veenduge, et kõik toote mutrid ja kruvid oleksid korralikult kinni pingutatud.

## Toote välikorpuse puhastamine

- Eemaldage lehed, muru ja pori harja abil.
- Veenduge, et mootori peal asuv õhuvõtuava oleks takistustest vaba.
- Ärge kasutage seadme puhastamiseks survepesurit.
- Kui kasutate toote puhastamiseks vett, ärge suunake vett otse mootorile.

## Löikekorpusi sisepinnapuhastamine

1. Tühjendage kütusepaak.
2. Kalluta toodet. Veendu, et süüteküünal on suunaga üles.



**ETTEVAATUST:** Kui toode on asetatud selliselt, et õhufilter jääb allapoole, võib mootor kahjustada saada.

3. Loputage löikekorpusi sisepinda veega.

## Löikeosa kontrollimine



**HOIATUS:** Tahtmatu käivitamise ärahoidmiseks eemaldage süüteküünalt süütejuhe.



**HOIATUS:** Löikeosa hooldamisel kandke kaitsekindaid. Lõiketera on väga terav ja võib kergesti põhjustada löikevigastusi.

1. Kontrollige löikeosa kahjustuste ja mõrade suhtes. Kahjustatud löikeosa tuleb alati välja vahetada.
2. Kontrollige, kas lõiketera on kahjustatud või nüri.

**Märkus:** Teritamise järel tuleb lõiketera tasakaalustada. Lõiketera teritamine, asendamine ja tasakaalustamine usaldage hooldustehnikule. Kui toode pörkub vastu eset, mis põhjustab toote seiskumise, vahetage välja kahjustatud lõiketera. Laske hoolduskeskuses hinnata, kas tera saab teritada või tuleb see välja vahetada.

## Lõiketera vahetamine

1. Lukustage lõiketera mõne puuklotsiga. (Joon. 37)
2. Eemaldage lõiketera polt ja vedruseib.

<sup>50</sup> Kui toode töötab suurtel koormustel või on ümbritsev temperatuur kõrge, siis vaheta mootoriõli iga 25 tunni järel.

<sup>51</sup> Tolmuste töötingimuste või lendleva prügi korral puhasta sagedamini. Vaheta õhufilter, kui see on väga must.



- Eemaldage lõiketera.
- Eemaldage lõiketera tugi ja polt ning kontrollige, kas esineb kahjustusi.
- Kontrollige mootori võlli ja veenduge, et see poleks väändunud.
- Uue lõiketera kinnitamisel suunake nurksed otsad lõikekorpusse poole. (Joon. 38)
- Veenduge, et lõiketera ja mootori võlli kese oleksid kohakuti.
- Lukustage lõiketera mõne puuklotsiga. Kinnitage vedrusseib ning pingutage polti ja seibi momendiga 45–60 Nm. (Joon. 39)
- Keerake tera käega, veendumaks, et see pöörleb vabalt.



**HOIATUS:** Kasutage tugevaid kindaid. Lõiketera on väga terav ja võib kergesti põhjustada lõikevigastusi.

- Tera katsetamiseks käivitage toode. Kui tera on valesti kinnitatud, siis toode vibreerib ja niitmistulemus pole rahuldav.

## Kontrollige õlitaset



**ETTEVAATUST:** Liiga madal õlitase võib mootorit kahjustada. Enne toote käivitamist kontrollige õlitaset.

- Asetage toode tasasele pinnale.
- Eemaldage õlipaagi kork koos selle küljes oleva mõõtevardaga.
- Puhastage mõõtevarras õlist.
- Õlitase mõõtmiseks sisestage mõõtevarras täies pikkuses õlipaaki. Ärge ühendage õlipaagi korki.
- Eemaldage õlipaagi kork koos selle küljes oleva mõõtevardaga.
- Vaadake mõõtevardalt õlitaset.
- Kui õlitase on madal, lisage mootoriõli ja kontrollige õlitaset uuesti. (Joon. 40)

**Märkus:** Kasutage mahaminemise vältimiseks lehrtrit.

- Kui õlitase on õige, paigaldage õlipaagi kork.

## Mootoriõli vahetamine



**HOIATUS:** Vahetult pärast mootori seiskumist on mootoriõli väga kuum. Enne mootoriõli väljutamist laske mootoril maha jahtuda. Kui mootoriõli satub nahale, puhastage piirkond vee ja seebiga.

(Joon. 41)

- Laske tootel töötada, kuni kütusepaak on tühi.
- Eemaldage süüteküünalt süütejuhe.
- Eemaldage õlipaagi kork koos selle küljes oleva mõõtevardaga.
- Asetage toote alla mõni mahuti, kuhu mootoriõli saaks valguda.
- Kallutage toodet või tühjendage õlipaak õlipumba abil (lisatarvik) mootoriõlist.
- Lisage jaotises *Tehnilised andmed lk 116* soovitatud tüüpi uut mootoriõli.
- Kontrollige õlitaset. Vt jaotist *Kontrollige õlitaset lk 113*.
- Kui õlitase on õige, paigaldage õlipaagi kork.

## Vahtplastfiltri puhastamine



**ETTEVAATUST:** Ärge käivitage mootorit ilma paigaldatud õhufiltriteta. Määratud õhuga kulub mootor kiiremini.

- Eemaldage õhufiltri kate (A). (Joon. 42)
- Eemaldage vahtplastfiltrid (B).



**ETTEVAATUST:** Kontrollige vahtplastfiltrid kahjustuste või kulumise suhtes. Asendage kõik kahjustatud vahtplastfiltrid.

- Puhastage vahtplastfiltrid seebi ja veega.
- Loputage vahtplastfiltrid puhtas vees.
- Pigistage vahtplastfiltritest vesi välja ja laske neil kuivada.



**ETTEVAATUST:** Ärge kasutage suruõhku. See võib vahtplastfiltrit kahjustada.

- Määrige vahtplastfiltrid mootoriõliga.
- Üleliigse õli eemaldamiseks suruge vahtplastfiltrile riidetükk.
- Paigaldage vahtplastfiltrid. Veenduge, et vahtplastfiltrid liubksid tihedalt vastu õhufiltri hoidikut.
- Paigaldage õhufiltri kate.

## Süüteküünla kontrollimine



**ETTEVAATUST:** Kasutage alati soovitatud tüüpi süüteküünalt. Vale tüüpi süüteküünal võib toodet kahjustada.

- Kontrollige süüteküünalt, kui mootori võimsus on madal, mootor ei käivitu kergesti või ei tööta tühikäigul korralikult.
- Süüteküünla elektrodidele võõrainete kogunemise ohu vähendamiseks täitke järgmisi juhiseid.

- a) Veenduge, et tühikõõru pöörete arv on õigesti seadistatud.
- b) Veenduge, et kütusesegu oleks õige.
- c) Veenduge, et õhufilter oleks puhas.
- Kui süüteküünlal on määrdunud, puhastage see ja kontrollige, kas elektroodide vahe on õige, vt jaotist *Tehnilised andmed lk 116*. (Joon. 43)
- Vajaduse korral vahetage süüteküünlal välja.

## Kütusesüsteemi kontrollimine

- Kontrollige kütusepaagi korki ja selle tihendit kahjustuste suhtes.
- Kontrollige kütusevoolikut lekete suhtes. Kahjustatud kütusevoolikut laske hooldustöökojas välja vahetada.

## Kütusepaagi tühjendamine

1. Asetage kütusepaagi alla mahuti.
2. Eemaldage kütusepaagi kork.
3. Lükake kütusevooliku voolikuklambrid vastu karburaatorit.
4. Eemaldage karburaatorilt kütusevoolik.
5. Sisestage kütusepaagi voolik mahutisse ja eemaldage voolikuklambrid.
6. Kallutage toodet, et kütus valguks kogumisanumasse.

## Kütusefiltri vahetamine



**HOIATUS:** Kasutage kaitsekindaid.

1. Tühjendage kütusepaak.
2. Suunake voolikuklambrid kütusepaagist eemale. (Joon. 44)
3. Eemaldage kütusevoolik kütusepaagist. Väike kogus kütust võib lekkida. (Joon. 45)
4. Eemaldage kütusefilter kütusepaagist. (Joon. 46)
5. Paigaldage kütusepaaki uus kütusefilter.
6. Ühendage kütusevoolik kütusepaagiga.
7. Asetage voolikuklamber vastu kütusepaaki oma kohale.

## Siduritrossi reguleerimine (LC 140SP)

Järgmistes olukordades on vajalik vähendada siduritrossi pikkust:

- rataste vedu ei rakendu, kui tõmbate veo käepidemest või pöörlemiskiiruse reguleerimise hoovast;
- kui rataste vedu on rakendatud, liigub toode aeglaselt.

Järgmistes olukordades on vajalik suurendada siduritrossi pikkust:

- toode liigub, kui rataste vedu pole rakendatud.
- Siduritrossi reguleerimine.
  - a) Siduritrossi pikkuse vähendamiseks pöörake reguleerimiskruvi vastupäeva.
  - b) Siduritrossi pikendamiseks keerake reguleerimiskruvi päripäeva. (Joon. 47)

Kui toode liigub ebarahuldavalt pärast reguleerimist, võtke ühendust hooldustöökojaga

## Mootori tõrkeotsing

Probleem	Võimalik põhjus	Lahendus
Mootor ei käivitu.	Süütejuhe pole õigesti ühendatud.	Ühendage süütejuhe süüteküünlaga.
	Kütusepaak on tühi.	Täitke kütusepaak õiget tüüpi kütusega.
	Kütus on vana.	Tühjendage kütusepaak ja karburaator. Täitke uue bensiiniga.
	Karburaatoris või kütusevoolikus on mustus.	Puhastage karburaator ja/või kütusevoolik.
	Süüteküünlal on kahjustatud.	Reguleerige elektroodide vahet, puhastage või vahetage välja süüteküünlal.
	Süüteküünlal on kütus.	Puhastage süüteküünlal.
Mootor ei seisku.	Seiskamismehhanism ei tööta korralikult.	Lahutage süüteküünlal süütejuhe. Laske toode remontida volitatud hooldustöökojas.

Probleem	Võimalik põhjus	Lahendus
Mootor ei tööta sujuvalt.	Süütejuhe pole õigesti ühendatud.	Ühendage süütejuhe süüteküünlaga.
	Kütusevoolikus on mustus või kütus on otsa saanud.	Puhastage kütusevoolik. Lisage kütusepaaki õiget liiki kütust.
	Kütusepaagi kork on ummistunud.	Puhastage kütusepaagi kork.
	Kütusesüsteemis on vesi või mustus.	Tühjendage kütusepaak. Lisage kütusepaaki õiget liiki kütust.
	Õhufilter on määrdunud.	Puhastage õhufilter.
	Karburaatorit tuleb reguleerida.	Laske hooldusesinduses karburaatorit reguleerida.
Mootor läheb liiga kuumaks.	Mootoriõli tase on liiga madal.	Lisage mootoriõli.
	Õhuvool pole piisav.	Puhastage õhufilter ja õhufiltri korpus.
	Karburaatorit tuleb reguleerida.	Laske hooldusesinduses karburaatorit reguleerida.
Kui mootor töötab suurel kiirusel, hakkab see töötakte vahel jätma.	Süüteküünla elektrodide vahe on liiga väike.	Reguleerige elektrodide vahet.
Normaalkoormuse korral kostub mootorist ebatavalist heli.	Kasutatakse valet tüüpi bensiini.	Tühjendage kütusepaak ja karburaator. Täitke uue bensiiniga. Vt jaotisest <i>Kütuse tankimine lk 110</i> . Probleemi püsimeis korral pöörduge hooldustöökotta.
Mootor ei tööta tühikäigukiirusel sujuvalt.	Süüteküünal on määrdunud, kahjustatud või elektrodide vahe on liiga suur.	Reguleerige elektroodi vahet või asendage süüteküünal.
	Karburaatorit tuleb reguleerida.	Reguleerige karburaatorit.
	Õhufilter on määrdunud.	Puhastage õhufilter.

## Transportimine, hoieulepanek ja utiliseerimine

### Transportimine ja hoiustamine

- Toote ja kütuse transportimisel ning hoiustamisel veenduge, et puuduvad lekked ja aurd. Elektriseadmetest või boileritest pärit sädemed ja lahtine leek võivad põhjustada tulekahju.
- Kütuse transportimiseks ja hoiustamiseks kasutage heakskiidetud mahuteid.
- Toote pikaks ajaks hoieule panemisel tühjendage eelnevalt kütusepaak. Kõrvaldage kütus spetsiaalses jäätmejaamas.
- Transportimisel kinnitage toode ohutult, et ära hoida kahjustusi ja õnnetusi.

- Hoidke toodet lukustatud kohas, kus sellele ei pääse juurde lapsed ega volitamata isikud.
- Hoidke toodet kuivas kohas, mis ei külmu.

### Kõrvaldamine

- Järgige kohalikke jäätmekäitluseeskirju ja kehtivaid seadusi.
- Kemikaalid (nt mootoriõli ja kütus) kõrvaldage hoolduskeskuses või spetsiaalses jäätmejaamas.
- Kui toodet enam ei kasutata, toimetage see Husqvarna edasimüüjale või kõrvaldage see taaskasutuskeskuses.

## Tehnilised andmed

### Tehnilised andmed

	LC 140P	LC 140SP
<b>Mootor</b>		
Kaubamärk	Husqvarna	Husqvarna
Mootorimudeli nimetus	HS 123A	HS 123A
Mootori tüüp	Ühesilindriline, neljataktiline, sundõhkjahutus, OHV	Ühesilindriline, neljataktiline, sundõhkjahutus, OHV
Silindrimaht, cm <sup>3</sup>	123	123
Kiirus, p/min	3000	3000
Mootori nimivõimsus, kW <sup>52</sup>	1,95	1,95
<b>Süütesüsteem</b>		
Süüteküünal	Husqvarna HQT-7	Husqvarna HQT-7
Elektroodi vahe, mm	0,7–0,8	0,7–0,8
<b>Kütuse- ja määrimissüsteem</b>		
Mootori määrimistüüp	Pritse	Pritse
Kütusepaagi maht, liitrit	0,9	0,9
Õlipaagi maht, liitrit	0,5	0,5
Mootoriõli <sup>53</sup>	Husqvarna SAE 30, Husqvarna SAE 5W-30 sünteetiline, Husqvarna SAE 10W-40	Husqvarna SAE 30, Husqvarna SAE 5W-30 sünteetiline, Husqvarna SAE 10W-40
<b>Kaal</b>		
Tühjade paakidega, kg	25,2	26,8
<b>Müratasemed</b> <sup>54</sup>		
Müravõimsustase, mõõdetud, dB(A)	93	93
Müravõimsustase, garanteeritud L <sub>WA</sub> dB(A)	94	94

<sup>52</sup> Mootori näidatud võimsusklass on vastava mootorimudeli järgi toodetud tüüpmootori keskmine netovõimsus (kindla pöörete arvu juures), mõõdetud vastavalt SAE standardile J1349/ISO1585. Masstoodangust tulnud mootoritel võib see väärtus pisut erineda. Tootele paigaldatud mootori tegelik võimsus oleneb töökiirusest, keskkonningimustest ja muudest teguritest.

<sup>53</sup> Kasutage vähemalt API SJ kvaliteediga mootoriõli. Kui kasutakse SAE-30 õli madalamal temperatuuril kui +5 °C, siis on oht, et see ei määri mootorit piisavalt. See võib kahjustada mootorit. Vt jaotisest *Mootoriõli vahetamine lk 113*, milline on õige õli madalal temperatuuril. Vaadake mootori tootja juhendis (kui see on olemas) olevat viskoossuste tabelit ja valige vastavalt oodatavale väliskeskonna temperatuurile sobivaim viskoossus.

<sup>54</sup> Müraremissioon ümbritsevasse keskkonda, mõõdetud helivõimsuse tasemena (L<sub>WA</sub>) vastavalt EÜ direktiivile 2000/14/EÜ

	LC 140P	LC 140SP
<b>Helitasemed</b> <sup>55</sup>		
Helirõhutase kasutaja kõrva juures, dB(A)	82	82
<b>Vibratsioonitase</b> <sup>56</sup>		
Käepideme vibratsioonitase, m/s <sup>2</sup>	5,6	7,6
<b>Lõikekorpus</b>		
Lõikekõrgus, mm	25–75	25–75
Lõikelaius, mm	400	400
Lõikesüsteem	Kogumine / tagant väljutamine	Kogumine / tagant väljutamine
Lõiketerad – standard	Kogumine 5873863-10	Kogumine 5873863-10
Rohukoguri maht liitrites	50	50
<b>Ajam</b>		
Iseliikumiskiirus, km/h	–	4

<sup>55</sup> Mürarõhutase kohta toodud andmete statistiline dispersioon (standardhälve) on 1,2 dB(A).

<sup>56</sup> Vibratsioonitaseme kohta toodud andmete tüüpiline statistiline dispersioon (standardhälve) on 0,2 m/s<sup>2</sup>.

# Vastavusdeklaratsioon

## EÜ vastavusdeklaratsioon

Husqvarna AB, SE-561 82 Huskvarna, Rootsi, tel: +46  
3614 6500, kinnitab ainuvastutusel, et toode:

<b>Kirjeldus</b>	Muruniiduk
<b>Kaubamärk</b>	Husqvarna
<b>Tüüp/mudel</b>	LC 140P, LC 140SP
<b>Identifitseerimine</b>	Seerianumbrid alates 2022. aastast

vastab täielikult järgmistele EÜ direktiividele ja määrustele:

Määrus	Kirjeldus
2006/42/EÜ	„masinadirektiiv“
2014/30/EL	„elektromagnetilise ühilduvuse direktiiv“
2000/14/EÜ	„seadmete müra kohta käiv direktiiv“
2011/65/EL	„elektri- ja elektroonikaseadmetes teatavate ohtlike ainete kasutamise piiramise direktiiv“

ja et kohalduvad järgmised standardid ja/või tehnilised spetsifikatsioonid: EN ISO 5395-1:2013/A1:2018, EN ISO 5395-2:2013/A1:2016/A2:2017, EN ISO 14982:2009, EN IEC 63000:2018

Teavitatud asutus: 0404, RISE SMP Svensk Maskinprovning AB, Box 4053, SE-904 03 Umeå, Sweden kinnitab vastavust nõukogu direktiivile 2000/14/EÜ, vastavushindamise menetlus: lisa VI.

Lisateavet mürataseme kohta vt *Tehnilised andmed lk 116*.

Huskvarna, 2022-09-27



Claes Losdal, aiandustoodete arendusdirektor,  
Husqvarna AB

Tehnilise dokumentatsiooni eest vastutaja



---

## Sisällys

---

Johdanto.....	119	Moottorin vianmääritys.....	127
Turvallisuus.....	120	Kuljettaminen, säilyttäminen ja hävittäminen.....	128
Asentaminen.....	122	Tekniset tiedot.....	129
Käyttö.....	123	Vaatimustenmukaisuusvakuutus.....	131
Huolto.....	124		

---

## Johdanto

---

### Tuotekuvaus

Tuote on kävellen ohjattava ja pyörivä ruohonleikkuri. Leikattu ruoho kerätään ruohonkerääjään. Voit ottaa ruohon taakseheittotoiminnon käyttöön irrottamalla ruohonkerääjän.

### Laitteen kuvaus

(Kuva 1)

1. Kahva/kahvasto
2. Vetojärjestelmän sanka (LC 140SP)
3. Käynnistysnarun kahva
4. Ruohonkerääjä
5. Polttoainesäiliö
6. Ilmansuodatin
7. Sytytystulppa
8. Leikkuusuojus
9. Äänenvaimennin
10. Öljysäiliön korkki
11. Leikkuukorkeuden säätövipu
12. Takasuojus
13. Moottorin jarrukahva
14. Tunnukset
15. Alempi työntöaisakoonpano
16. Alavarsi
17. Käyttöohjekirja
18. Öljysuppilo

### Tuotteen symbolit

(Kuva 2) **VAROITUS:** Ole varovainen ja käytä tuotetta oikein. Tämä tuote voi aiheuttaa käyttäjälle tai sivullisille vakavia vammoja tai kuoleman.

(Kuva 3) Lue käyttöohje huolellisesti ja varmista, että ymmärrät sen sisällön ennen kuin alat käyttää tuotetta.

(Kuva 4) Varo sinkoutuvia esineitä ja kimmokkeita.

(Kuva 5) Pidä sivulliset ja eläimet turvallisen välimatkan päässä työalueesta.

### Käyttötarkoitus

Käytä laitetta ruohon leikkuuseen. Älä käytä laitetta muihin tehtäviin.

(Kuva 6) Varoitus: Pidä kädet ja jalat poissa pyörivän terän läheisyydestä.

(Kuva 7) Varoitus: Pidä kädet ja jalat poissa pyörivien osien läheisyydestä.

(Kuva 8) Pysäytä moottori ja poista sytytysjohto ennen korjaus- tai huoltotoita.

(Kuva 9) Tämä tuote täyttää sovellettavien EY-direktiivien vaatimukset.

(Kuva 10) Melupäästöt ympäristöön -tarra EU:n ja Yhdistyneen kuningaskunnan direktiivien ja säädösten mukaisesti sekä Uuden Etelä-Walesin "Protection of the Environment Operations (Noise Control) Regulation 2017" -asetuksen mukaisesti. Tuotteen taattu äänitehotaso on määritetty kohdassa *Tekniset tiedot sivulla 129* ja kilvessä.

(Kuva 11) Tämä tuote täyttää sovellettavien UK-säädösten vaatimukset.

(Kuva 12) Tulipalon vaara.

(Kuva 13) Älä hengitä pakokaasuja. Moottorin pakokaasut sisältävät hiilimonoksidia, joka on hajuton, myrkyllinen ja erittäin vaarallinen kaasu. Älä käynnistä moottoria sisällä tai suljetuissa tiloissa.

(Kuva 14) Kuuma pinta.

(Kuva 15) Täytä moottori öljyllä ennen tuotteen käynnistämistä.

**Huomautus:** Muita tuotteen symboleita/tarroja tarvitaan joillakin markkina-alueilla ilmaisemaan sertifiointivaatimuksia.

## Euro V -päästöt



**VAROITUS:** Moottorin muokkaaminen mitätöi tuotteen EU-tyyppihyväksynnän.

## Tuotteen vaurioituminen

Emme ole vastuussa tuotteen vaurioitumisesta, jos:

- tuote on korjattu virheellisesti
- tuotteen korjaamiseen on käytetty muita kuin valmistajan omia tai sen hyväksymiä osia
- tuotteessa on muu kuin valmistajan oma tai sen hyväksymä lisävaruste
- tuotetta ei ole korjattu valtuutetussa huoltopisteessä tai hyväksytyllä asiantuntijalla.

## Turvallisuus

### Turvallisuusmääritelmät

Varoituksia, huomioita ja huomautuksia käytetään, kun jotakin käyttöohjeen osaa halutaan erityisesti korostaa.



**VAROITUS:** Tätä käytetään, jos käyttöohjeen noudattamatta jättämisestä voi seurata käyttäjän tai sivullisen vamma tai kuolema.



**HUOMAUTUS:** Tätä käytetään, jos käyttöohjeen noudattamatta jättämisestä voi seurata koneen, muiden materiaalien tai ympäristön vaurioituminen.

**Huomautus:** Tätä käytetään tietyissä tilanteissa tarvittavien lisätietojen antamiseen.

### Yleiset turvallisuusohjeet



**VAROITUS:** Lue seuraavat varoitukset ennen tuotteen käyttöä.

- Tämä laite on vaarallinen, jos sitä käytetään huolimattomasti tai virheellisesti. Turvaohjeiden noudattamatta jättäminen voi aiheuttaa vammoja tai kuoleman.
- Tuote muodostaa käytön aikana sähkömagneettisen kentän. Kenttä saattaa joissakin olosuhteissa häiritä aktiivisten tai passiivisten lääketieteellisten implanttien toimintaa. Vakavien tai hengenvaarallisten tapaturmien ehkäisemiseksi kehotamme lääketieteellisiä implanteja käyttäviä henkilöitä neuvottelemaan lääkärin ja lääketieteellisen implantin valmistajan kanssa ennen tuotteen käyttämistä.
- Ole aina varovainen ja käytä tervettä järjettä. Jos et ole varma, miten tuotetta käytetään erityistilanteessa, sammuta tuote ja ota yhteys Husqvarna-jälleenmyyjään, ennen kuin jatkat.
- Muista, että käyttäjä on vastuussa muille ihmisille tai heidän omaisuudelleen aiheutuvista vahingoista.

- Pidä laite puhtaana. Varmista, että tuotteen merkit ja tarrat ovat luettavissa.
- Salli vain sellaisten henkilöiden, jotka ovat lukeneet käyttöohjekirjan ja ymmärtäneet siinä annetut ohjeet, käyttää tuotetta.
- Älä anna lasten käyttää tuotetta.
- Pidä lapset poissa työskentelyalueelta. Vastuullisen aikuisen on oltava aina paikalla.
- Tuotetta saavat käyttää vain henkilöt, jotka ovat lukeneet ja ymmärtäneet ohjeet.
- Valvo aina laitetta käyttävää henkilöä, jonka fyysiset tai psyykkiset kyvyt ovat heikentyneet. Vastuullisen aikuisen on oltava aina paikalla.
- Älä käytä laitetta jos olet väsynyt tai sairas tai alkoholin, huumaavien aineiden tai lääkkeiden vaikutuksen alaisena. Niillä on negatiivinen vaikutus näkökykyysi, vireytesi, harkintakykyysi ja kehosi hallintaan.
- Älä käytä tuotetta, joka on vahingoittunut tai joka ei toimi oikein.
- Älä tee koneeseen muutoksia tai käytä konetta, mikäli epäilet jonkun muun muuttaneen sitä.
- Älä tee muutoksia moottorin käyntinopeuden hallintaan.

### Työalueen turvallisuus



**VAROITUS:** Lue seuraavat varoitusohjeet ennen koneen käyttämistä.

- Poista työskentelyalueelta oksat, risut ja kivet ennen tuotteen käyttämistä.
- Terävarustukseen osuvat esineet sinkoutuvat edelleen ja voivat siten aiheuttaa vahinkoa ihmisille ja esineille. Pidä sivulliset ja eläimet turvallisen välimatkan päässä tuotteesta.
- Älä koskaan käytä tuotetta huonolla säällä esimerkiksi sumussa, sateessa, kovassa tuulessa, ankarassa pakkasessa tai ukkosella. Tuotteen käyttäminen huonolla säällä tai kosteissa tai märissä olosuhteissa on raskasta. Huono sää voi aiheuttaa vaaratilanteita, kuten liukastumisvaaran.
- Varo henkilöitä, esineitä ja tilanteita, jotka voivat estää tuotteen turvallisen käytön.



- Varo esteitä, kuten juuria, kiviä, risuja, kuoppia ja oja. Pitkän ruohon seassa voi olla esteitä.
- Ruohon leikkaaminen rinteissä voi olla vaarallista. Älä käytä tuotetta rinteessä, jonka kaltevuus on yli 15°.
- Käytä tuotetta sivusuunnassa rinteeseen nähden. Älä käytä tuotetta pystysuunnassa.
- Ole varovainen lähestyessäsi piilossa olevia kulmia ja esineitä, jotka estävät näkyvyyden.

## Työturvallisuus



**VAROITUS:** Lue seuraavat varoitusohjeet ennen laitteen käyttämistä.

- Käytä tätä tuotetta ainoastaan nurmikoiden leikkaamiseen. Tuotteita ei saa käyttää muihin käyttötarkoituksiin.
- Käytä henkilökohtaisia suojarusteita. Katso *Henkilökohtainen suojarustus sivulla 121*.
- Opettele pysäyttämään moottori nopeasti hätätilassa.
- Älä koskaan käynnistä moottoria suljetussa tilassa tai lähellä herkästi syttyviä materiaaleja. Moottorin pakokaasu on kuumaa ja se voi sisältää kipinöitä, jotka voivat aiheuttaa tulipalon.
- Älä käytä tuotetta, ellei sen terää ja kaikkia suojuksia ole kiinnitetty asianmukaisesti. Virheellisesti kiinnitetty terä saattaa irrota ja aiheuttaa henkilövahinkoja.
- Varmista, ettei terä osu kiviin ja juuriin. Tämä voi vaurioittaa terää, ja kampaiksi voi väänntyä. Väänntynyt akseli aiheuttaa voimakasta värinää. Tällöin on erittäin suuri riski, että terä irtoaa.
- Jos terä osuu esineeseen tai alkaa täristä, pysäytä tuote välittömästi. Irrota sytytyskaapeli sytytystulpasta. Tarkista tuote vaurioiden varalta. Korjaa vauriot tai tee korjaustyöt valtuutetussa huoltoilikkeessä.
- Älä koskaan liitä moottorin jarrukahvaa pysyvästi kahvaan moottoria käynnistettäessä.
- Aseta tuote kiinteälle, tasaiselle alustalle ja käynnistä se. Varmista, ettei terä pääse osumaan maahan tai mihinkään esineeseen.
- Ole aina tuotteen takana käyttäessäsi sitä.
- Pidä kaikki renkaat maassa ja molemmat kätesi työntöaisalla käyttäessäsi tuotetta. Pidä kätesi ja jalkasi poissa pyörivien terien läheisyydestä.
- Älä kallista tuotetta moottorin käynnistyksen aikana.
- Ole varovainen vetäessäsi tuotetta taaksepäin.
- Älä koskaan nosta tuotetta moottorin käynnistyksen aikana. Jos tuotetta täytyy nostaa, sammuta ensin moottori ja irrota sytytyskaapeli sytytystulpasta.
- Älä kävele taaksepäin käyttäessäsi tuotetta.
- Sammuta moottori, kun siirrät tuotteen ruohottoman alueen yli, esimerkiksi ylittäessäsi sora-, kivi- tai asfalttipolkuja.

- Älä juokse tuotteen kanssa, kun moottoria käynnistetään. Kävele aina, kun käytät tuotetta.
- Sammuta moottori ennen kuin muutat leikkuukorkeutta. Älä koskaan tee säätöjä moottorin käydessä.
- Älä koskaan jätä laitetta ilman valvontaa moottorin käydessä. Sammuta moottori ja varmista, ettei terävarustus pyöri.

## Turvallisuusohjeet käyttöä varten

### Henkilökohtainen suojarustus



**VAROITUS:** Lue seuraavat varoitusohjeet ennen koneen käyttämistä.

- Henkilökohtaiset suojarusteet eivät poista tapaturmien vaaraa, mutta ne lieventävät vammoja onnettomuustilanteessa. Anna jälleenmyyjän auttaa oikeiden varusteiden valinnassa.
- Käytä kuulonsuojaimia, kun melutaso on yli 85 dB.
- Käytä kestäviä luistamattomia saappaita tai kenkiä. Älä käytä avonaisia jalkineita tai kulje paljain jaloin.
- Käytä vahvakankaisia, pitkiä housuja.
- Käytä suojakäsineitä tarvittaessa, esimerkiksi terävarustuksen asennuksen, tarkastuksen ja puhdistuksen aikana.

### Tuotteen turvalaitteet



**VAROITUS:** Lue seuraavat varoitukset ennen tuotteen käyttöä.

- Älä käytä tuotetta vahingoittuneiden tai viallisten turvalaitteiden kanssa.
- Tarkasta turvalaitteet säännöllisesti. Jos turvalaitteet ovat vahingoittuneet tai eivät toimi oikein, ota yhteys Husqvarna-huoltoilikkeeseen.
- Älä tee muutoksia turvalaitteisiin.

### Leikkusuojuksen tarkistaminen

Leikkusuojus vähentää laitteen värinää ja terän aiheuttamaa tapaturmavaaraa.

- Tarkista leikkusuojus vaurioiden, kuten halkeamien, varalta.

### Moottorin jarrukahvan tarkistaminen

Moottorin jarrukahva pysäyttää moottorin. Kun moottorin jarrukahva vapautetaan, moottori pysähtyy.

- Käynnistä moottori ja vapauta sitten moottorin jarrukahva. Jos moottori ei pysähdy 3 sekunnissa, anna valtuutetun Husqvarna-huoltoilikeen säätää moottorijarru. (Kuva 16)

## Äänenvaimennin

Äänenvaimennin pitää äänitason mahdollisimman alhaisena ja ohjaa moottorin pakokaasut käyttäjästä pois päin.

Älä käytä tuotetta, jos äänenvaimennin on vaurioitunut tai puuttuu kokonaan. Vaurioitunut äänenvaimennin nostaa äänitasoa ja lisää tulipalon vaaraa.



**VAROITUS:** Äänenvaimennin on erittäin kuuma käytön aikana, heti käytön jälkeen ja moottorin käydessä joutokäyntinopeudella. Ole varovainen syytyvien materiaalien ja/tai kaasujen läheisyydessä, jotta et aiheuta tulipalaa.

## Polttoaineturvallisuus



**VAROITUS:** Lue seuraavat varoitukset ennen tuotteen käyttöä.

- Älä käynnistä tuotetta, jos sen päällä on polttoainetta tai moottoriöljyä. Poista ylimääräinen polttoaine tai öljy ja anna tuotteen kuivua.
- Jos olet läikyttänyt polttoainetta vaatteillesi, vaihda vaatteet heti.
- Varo, ettei iholle pääse polttoainetta, sillä se voi aiheuttaa vamman. Jos ihollesi joutuu polttoainetta, pese se pois vedellä ja saippualla.
- Älä käynnistä tuotetta, jos moottori vuotaa. Tarkista moottori säännöllisesti vuotojen varalta.
- Käsittele polttoainetta varoen. Polttoaine on syytyvää ja kaasut ovat räjähdysherkkiä, mikä voi aiheuttaa tapaturman tai kuoleman.
- Älä hengitä polttoainehöyryjä, sillä ne voivat aiheuttaa vamman. Varmista, että ilmanvirtaus on riittävä.
- Älä tupakoi polttoaineen tai moottorin lähistöllä.
- Älä sijoita lämpimiä esineitä polttoaineen tai moottorin lähelle.
- Älä lisää polttoainetta, kun moottori on käynnissä.
- Varmista ennen polttoaineen lisäämistä, että moottori on jäähtynyt.
- Ennen kuin lisää polttoainetta, avaa polttoainesäiliön korkki hitaasti ja vapauta paine varovasti.

- Älä lisää polttoainetta moottoriin sisätilassa. Jos ilmanvirtaus ei ole riittävä, tukehtuminen tai hiilimonoksidin hengittäminen voi aiheuttaa vamman tai kuoleman.
- Kiristä polttoainesäiliön korkki tiukasti. Polttoainesäiliön korkin riittämätön kiristys aiheuttaa tulipalovaaran.
- Siirrä tuote ennen käynnistystä vähintään 3 metrin / 10 jalan päähän paikasta, jossa lisäsit polttoainetta.
- Älä täytä polttoainesäiliötä täyteen. Kuumuus saa polttoaineen laajenemaan. Jätä polttoainesäiliön päälle tyhjää tilaa.
- Älä koskaan säilytä polttoainetta sisältävää tuotetta tiloissa, joissa on mahdollisia kipinälähteitä, kuten kuumavesivaraaja, patteri tai pyykinkuivaaja. Anna moottorin jäähtyä, ennen kuin viet koneen sisälle.

## Turvaohjeet huoltoon varten



**VAROITUS:** Lue seuraavat varoitusohjeet ennen koneen käyttämistä.

- Moottorin pakokaasut sisältävät hiilimonoksidia, joka on hajuton, myrkyllinen ja erittäin vaarallinen kaasu. Älä käynnistä moottoria sisällä tai suljetuissa tiloissa.
- Jos tuotetta täytyy huoltaa, sammuta ensin moottori ja irrota syytyskaapeli sytytystulpasta.
- Käytä suojakäsineitä huoltaessasi terävarustusta. Terä on erittäin terävä ja aiheuttaa helposti haavoja.
- Lisävarusteet ja muut kuin valmistajan hyväksymät muutokset tuotteeseen voivat aiheuttaa vakavan vamman tai kuoleman. Älä tee tuotteeseen muutoksia. Käytä vain valmistajan hyväksymiä lisävarusteita.
- Jos tuotetta ei ole huollettu asianmukaisesti ja säännöllisesti, tapaturmien ja tuotteen vaurioitumisen vaara kasvaa.
- Huolla tuote ainoastaan käyttöohjekirjassa annettujen ohjeiden mukaisesti. Kaikki muut huoltotoimet on tehtävä valtuutetussa Husqvarna-huoltoliikkeessä.
- Anna valtuutetun Husqvarna-huoltoliikkeen huoltaa tuote säännöllisesti.
- Vaihda vaurioituneet, kuluneet tai rikkoutuneet osat.

## Asentaminen

### Kahvan asentaminen

1. Työnnä ruuvi (A) kahvan (B), muovisen aluslevyn (C) ja kahvan tukikiinnikkeen (D) läpi. (Kuva 17)
2. Kiristä mutteri (E) kokonaan.
3. Työnnä ruuvi (F) aluslevyn (G) ja kahvan tukikiinnikkeen läpi.
4. Kiristä nuppi (H) kokonaan.

5. Kohdista kahvaston reiät alemman työntöaisan reikien kanssa ja kiinnitä ruuvit, aluslevyt ja nupit. Kiristä nupit huolellisesti. (Kuva 18)
6. Kiinnitä kaapelit aisaan kaapelinpitimillä. (Kuva 19)

**Huomautus:** Varmista, ettei kaapeleita ole kiristetty liian tiukalle. Kiristäminen liian tiukalle

voi vahingoittaa kaapelia, kun kahva käännetään kuljetusasentoon.

7. Aseta kaapelit aisan alaosassa olevan kourun ympärille. (Kuva 20)

## Kahvan korkeuden säätäminen

1. Irrota alemmat nupit. (Kuva 21)
2. Irrota nuppi, aluslevy ja ruuvi vasemmalta ja oikealta puolelta.
3. Työntöaisan voi asettaa kahdelle eri korkeudelle. Laita ruuvi toiseen kahdesta reiästä vasemmalla ja oikealla puolella. (Kuva 22)
4. Kiinnitä kaikki ruuvit, aluslevyt ja nupit.
5. Liu'uta nuppeja ylöspäin kahvaa kohti, kunnes ne pysähtyvät ja kuulet naksahduksen. Kiristä nupit huolellisesti. (Kuva 23)

## Tuotteen asettaminen kuljetusasentoon

1. Irrota ruohonkerääjä.
2. Avaa ylempään kahvan nupit ja taita kahva alas. (Kuva 24)
3. Irrota alemmat nupit.
4. Liu'uta nupit urien alaosaan laitteen molemmin puolin. (Kuva 25)

5. Taita kahva eteen. (Kuva 26)

## Laitteen asettaminen käyttöasentoon

1. Nosta kahvasto, kunnes alempi kahva lukittu käyttöasentoon. (Kuva 27)
2. Liu'uta nuppeja ylöspäin kahvaa kohti, kunnes ne pysähtyvät ja kuulet naksahduksen.
3. Kiristä nupit huolellisesti. (Kuva 28)
4. Nosta kahvaston yläosaa.
5. Kiristä nupit huolellisesti. (Kuva 29)

## Ruohonkerääjän asentaminen

1. Aseta ruohonkerääjän yläosa ruohonkerääjän alaosaan. (Kuva 30)
2. Kiinnitä ruohonkerääjän runko kiinnikkeillä. (Kuva 31)
3. Nosta takasuojus ylös.
4. Kiinnitä ruohonkerääjän kourut rungon yläreunaan. (Kuva 32)
5. Aseta ruohonkerääjän alempi osa ruohon ulosheittokanavaan.

## Käyttö

### Johdanto



**VAROITUS:** Lue turvallisuutta käsittelevä luku niin, että ymmärrät sen sisällön, ennen laitteen käyttämistä.

### Husqvarna Connect

Husqvarna Connect on ilmainen mobiililaitesovellus. Husqvarna Connect -sovellus saat lisätoimintoja Husqvarna-koneeseen:

- Enemmän tuotetietoja.
- Tietoja koneen osista ja huolto-ohjeita.

### Husqvarna Connect -käytön aloittaminen

1. Lataa Husqvarna Connect -sovellus mobiililaitteeseesi.
2. Rekisteröi Husqvarna Connect -sovelluksessa.
3. Liitä ja rekisteröi kone Husqvarna Connect -sovelluksen ohjeiden mukaan.

### Ennen tuotteen käyttöä

1. Lue käyttöohje huolellisesti ja varmista, että ymmärrät sen sisältämät ohjeet.
2. Tutki terävarustus ja varmista, että se on kiinnitetty ja säädetty asianmukaisesti. Katso *Terävarustuksen tarkistaminen sivulla 125*.

3. Täytä polttoainesäiliö. Katso *Polttoaineen lisääminen sivulla 123*.
4. Lisää öljysäiliöön öljyä ja tarkista öljytaso. Katso *Öljyn määrän tarkistaminen – sivulla 126*.

### Polttoaineen lisääminen

Käytä mahdollisuuksien mukaan ympäristöä säästävää bensiiniä tai alkylaattibensiiniä. Jos ympäristöä säästävää bensiiniä tai alkylaattibensiiniä ei ole saatavilla, käytä lyijytöntä tai lyijyllistä laatubensiiniä, jonka oktaaniluku on vähintään 91.



**HUOMAUTUS:** Älä käytä bensiiniä, jonka oktaaniluku on pienempi kuin 91 RON. Se voi vaurioittaa laitetta.



**HUOMAUTUS:** Vaihda polttoainesuodatin vuosittain tai tarpeen mukaan useammin. Voit hankkia uuden polttoainesuodattimen Husqvarna - jälleenmyyjältäsi.



**HUOMAUTUS:** Sammuta moottori aina ennen polttoaineen lisäämistä.



**HUOMAUTUS:** Älä käytä paineistettuja käynnistysneiteitä.

1. Vapauta polttoainesäiliöstä painetta avaamalla polttoainesäiliön korkki hitaasti.
2. Kaada polttoainesäiliöön hitaasti polttoainetta. Jos polttoainetta läikky, pyyhi aine pois liinalla ja anna polttoainejäämien kuivua. (Kuva 33)
3. Pyyhi polttoainesäiliön korkin ympäristö puhtaaksi.
4. Kiristä polttoainesäiliön korkki tiukasti. Polttoainesäiliön korkin riittämätön kiristys aiheuttaa tulipalovaaran.
5. Siirrä tuote ennen käynnistystä vähintään 3 metrin / 10 jalan päähän paikasta, jossa lisäsit polttoainetta.

## Leikkuukorkeuden asettaminen

1. Lisää leikkuukorkeutta siirtämällä leikkuukorkeuden säätövipua taaksepäin.
2. Vähennä leikkuukorkeutta siirtämällä leikkuukorkeuden säätövipua eteenpäin. (Kuva 34)



**HUOMAUTUS:** Älä aseta leikkuukorkeutta liian alhaiseksi. Jos ruohikon pinta ei ole tasainen, terät voivat osua maahan.

## Laitteen käynnistäminen

1. Varmista, että sytytyskaapeli on liitettyä sytytystulppaan.
2. Seiso laitteen takana.
3. Pidä moottorin jarrukahvaa kahvasto vasten. (Kuva 35)
4. Pitele käynnistysnarun kahvaa oikealla kädelläsi.
5. Vedä käynnistysnarusta hitaasti, kunnes tunnet hieman vastusta.

## Huolto

### Johdanto



**VAROITUS:** Ennen minkäänlaisten huoltotöiden aloittamista sinun on luettava turvallisuutta käsittelevä luku niin, että ymmärrät sen sisällön.

Kaiktiin tuotteelle tehtäviin huolto- ja korjaustöihin tarvitaan erityiskoulutus. Takaamme, että tuotteemme huolletaan ja korjataan ammattimaisesti. Jos jälleenmyyjäsi ei ole huoltoliike, pyydä jälleenmyyjää neuvomaan lähin huoltoliike.

Katso lisätietoja kohdasta .

6. Käynnistä moottori vetämällä voimakkaasti.



**VAROITUS:** Älä kiedo käynnistysnarua kätesi ympärille.

## Vetojärjestelmän käyttäminen pyörillä

- Työnnä vetojärjestelmän sankaa kahvaston suuntaan. (Kuva 36)
- Kytke vetojärjestelmä pois käytöstä vapauttamalla vetojärjestelmän sankaa esimerkiksi lähestyessäsi estettä.
- Ennen kuin vedät tuotetta taaksepäin, kytke vetojärjestelmä pois käytöstä ja työnnä tuotetta eteenpäin noin 10 cm.

## Laitteen pysäyttäminen

- Jos haluat pysäyttää vain vetojärjestelmän, vapauta vetojärjestelmän sankaa.
- Pysäytä moottori vapauttamalla moottorin jarrukahvaa.

## Hyvän tuloksen saavuttaminen

- Käytä aina hyvin teroitettua terää. Tylsä terä leikkaa epätasaisesti ja ruohosta tulee keltaista leikatun pinnan kohdalta. Hyvin teroitettu terä käyttää myös tylsää terää vähemmän energiaa.
- Älä leikkaa enempää kuin 1/3 ruohon pituudesta. Aseta leikkuukorkeus ensimmäisellä leikkuukerralla korkeaksi. Tutkittuasi leikkuutuloksen voit laskea leikkuukorkeuden haluamallasi tasolle. Jos ruoho on erittäin pitkää, kulje hitaasti ja leikkaa nurmikko tarvittaessa kaksi kertaa.
- Leikkaa joka kerta eri suuntiin, jotta nurmikkoon ei tule raitoja.
- Pidä leikkuusuojus puhtaana. Leikkuusuojuksen sisäpuolelle kertynyt ruoho ja lika voivat heikentää leikkuutuloksia. Katso kohta *Leikkuusuojuksen sisäpuolelta puhdistaminen sivulla 125*.

### Huoltokaavio



**HUOMAUTUS:** Varmista, että ilmansuodatin on laitteen yläosassa eikä maata vasten, kun kallistat laitetta. Moottorivaurion vaara.

Huoltovälit on laskettu laitteen päivittäisen käytön perusteella. Välit voivat muuttua, jos laitetta ei käytetä päivittäin.

Lisätietoja \*-merkillä merkityistä huolloista on kohdassa *Tuotteen turvalaitteet sivulla 121*.

Huolto	Päivittäin	Kuukausittain	Kerran käyttökautessa
Tee yleistarkastus.	X		
Tarkista öljytaso.	X		
Vaihda öljy (ensimmäisten 5 käyttötunnin jälkeen ja sitten 50 käyttötunnin välein) <sup>57</sup>			X
Puhdista laite.	X		
Tarkista terävarustus.	X		
Tarkista leikkuusuojus*.	X		
Tarkista moottorin jarrukahva*.	X		
Tarkista äänenvaimennin*.		X	
Tarkista sytytystulppa. Puhdista tai vaihda sytytystulppa tarvittaessa.			X
Tarkista ilmansuodatin	X		
Puhdista ilmansuodatin. <sup>58</sup>		X	
Vaihda ilmansuodatin.			X
Tarkista polttoainejärjestelmä			X
Puhdista sylinterin jäähdytysrivat.		X	
Tarkista ja säädä kytkinjohto (LC 140SP).			X

## Yleistarkastus

- Varmista, että laitteen kaikki ruuvit ja mutterit on kiristetty oikein.

## Laitteen puhdistaminen ulkopuolelta

- Poista lehdet, ruoho ja lika harjalla.
- Varmista, ettei moottorin yläosassa sijaitseva ilmanottoaukko ole tukkeutunut.
- Älä käytä laitteen puhdistamiseen painepesuria.
- Jos käytät tuotteen puhdistamiseen vettä, älä suihkuta vettä suoraan moottoriin.

## Leikkuusuojuksen sisäpinnan puhdistaminen

- Tyhjennä polttoainesäiliö.
- Kallista tuotetta. Varmista, että sytytystulppa osoittaa ylöspäin.



**HUOMAUTUS:** Jos laite asetetaan ilmansuodatin alapäin, moottori saattaa vaurioitua.

- Pese leikkuusuojuksen sisäpinta vesiletkulla.

<sup>57</sup> Jos laitteen kuormitus on suuri tai ympäristön lämpötila korkea, vaihda moottoriöljy 25 tunnin välein.

<sup>58</sup> Puhdista tavallista useammin pölyisissä olosuhteissa tai silloin, jos ilmassa leijuu likahiukkasia. Vaihda ilmansuodatin, jos se on erittäin likainen.

## Terävarustuksen tarkistaminen



**VAROITUS:** Estä tuotteen tahaton käynnistyminen irrottamalla sytytyskaapeli sytytystulppasta.



**VAROITUS:** Käytä suojakäsineitä huoltaessasi terävarustusta. Terä on erittäin terävä ja aiheuttaa helposti haavoja.

- Tutki terävarustus vaurioiden tai halkeamien varalta. Vaurioitunut terävarustus on aina vaihdettava.
- Tarkista, onko terä vaurioitunut tai tylsä.

**Huomautus:** Terä on tasapainotettava oikein teroituksen jälkeen. Anna huoltoliikkeen teroittaa, vaihtaa ja tasapainottaa terä. Jos osut esteeseen niin, että tuote pysähtyy, vaihda vaurioitunut terä. Anna huoltoliikkeen arvioida, voiko terän teroittaa vai onko se vaihdettava.

## Terän vaihtaminen

1. Lukitse terä puukiillalla. (Kuva 37)
2. Irrota terän pultti ja jousialuslevy.
3. Irrota terä.
4. Tutki terän tuki ja teräpultti vaurioiden varalta.
5. Tutki kampiakseli ja varmista, ettei se ole vääntynyt.
6. Asenna uusi terä siten, että terän taitetut kulmat osoittavat leikkuusuojuksen suuntaan. (Kuva 38)
7. Varmista, että terä on kohdistettu kampiakselin keskiosan kanssa.
8. Lukitse terä puukiillalla. Kiinnitä jousialuslevy paikalleen ja kiristä pultti ja aluslevy momenttiin 45–60 Nm. (Kuva 39)
9. Pyöritä terää käsin ja varmista, että se pyörii vapaasti.



**VAROITUS:** Käytä paksuja käsineitä. Terä on erittäin terävä ja aiheuttaa helposti haavoja.

10. Testaa terää käynnistämällä tuote. Jos terä ei ole kiinnitetty asianmukaisesti, tuote tärisee tai sen leikkuutulos ei ole tyydyttävä.

## Öljyn määrän tarkistaminen –



**HUOMAUTUS:** Liian alhainen öljytaso voi vaurioittaa moottoria. Tarkista öljytaso ennen kuin käynnistät tuotteen.

1. Aseta tuote tasaiselle alustalle.
2. Irrota öljysäiliön korkki ja mittatikku.
3. Pyyhi mittatikku puhtaaksi öljystä.
4. Työnnä mittatikku kokonaan öljysäiliöön, jotta saat selkeän käsityksen öljytasosta. Älä laita öljysäiliön korkkia paikalleen.
5. Irrota öljysäiliön korkki ja mittatikku.
6. Tarkista öljytaso mittatikusta.
7. Jos öljytaso on alhainen, lisää moottoriöljyä ja tarkista öljytaso uudelleen. (Kuva 40)

**Huomautus:** Käytä suppiloa läikkyamisen välttämiseksi.

8. Laita öljysäiliön korkki paikalleen, kun öljytaso on oikea.

## Moottoriöljyn vaihtaminen



**VAROITUS:** Moottoriöljy on erittäin kuumaa moottorin sammuttamisen jälkeen. Anna moottorin jäähtyä ennen kuin valutat moottoriöljyn pois moottorista. Jos moottoriöljyä joutuu iholle, pese öljy pois vedellä ja saippualla.

(Kuva 41)

1. Käytä tuotetta, kunnes polttoainesäiliö on tyhjä.
2. Irrota sytytyskaapeli sytytystulpasta.
3. Irrota öljysäiliön korkki ja mittatikku.
4. Aseta tuotteen alle säiliö, johon valutat öljyn.
5. Kallista tuotetta tai tyhjennä moottoriöljy öljysäiliöstä öljypumpulla (lisävaruste).
6. Lisää uutta moottoriöljyä, jota suositellaan kohdassa *Tekniset tiedot sivulla 129*.
7. Tarkista öljytaso. Katso kohta *Öljyn määrän tarkistaminen – sivulla 126*.
8. Laita öljysäiliön korkki paikalleen, kun öljytaso on oikea.

## Vaahtomuovisuodattimen puhdistaminen



**HUOMAUTUS:** Älä käynnistä moottoria, jos ilmansuodattimet eivät ole paikallaan. Likainen ilma lisää moottorin kulumista.

1. Irrota ilmansuodattimen kansi (A). (Kuva 42)
2. Poista vaahtomuovisuodattimet (B).



**HUOMAUTUS:** Tutki vaahtomuovisuodattimet vaurioiden tai kulumisen varalta. Vaihda kaikki vaurioituneet vaahtomuovisuodattimet.

3. Puhdista vaahtomuovisuodattimet vedellä ja saippualla.
4. Huuhtelee vaahtomuovisuodattimet puhtaalla vedellä.
5. Purista vaahtomuovisuodattimista vesi ja anna suodattimien kuivua.



**HUOMAUTUS:** Älä käytä paineilmaa. Se voi vaurioittaa vaahtomuovisuodatinta.

6. Voitele vaahtomuovisuodattimet moottoriöljyllä.
7. Poista ylimääräinen öljy painamalla puhtas liina vaahtomuovisuodatinta vasten.
8. Asenna vaahtomuovisuodattimet. Varmista, että vaahtomuovisuodattimet asettuvat tiiviisti ilmansuodattimien pidintä vasten.
9. Asenna ilmansuodattimen kansi.

## Sytytystulpan tarkistus



**HUOMAUTUS:** Käytä aina suositeltua sytytystulppaa. Väärä sytytystulpan tyyppi saattaa vaurioittaa tuotetta.

- Tarkista sytytystulppa, jos moottorin teho on heikko, moottoria on vaikea saada käyntiin tai se ei toimi oikein joutokäyntinopeudella.
- Ehkäise ylimääräisen materiaalin joutuminen sytytystulpan elektrodeihin noudattamalla seuraavia ohjeita:
  - a) Varmista, että joutokäyntinopeus on säädetty oikein.
  - b) Varmista, että polttoaineseos on oikea.
  - c) Varmista, että ilmansuodatin on puhdas.
- Jos sytytystulppa on karstoittunut, puhdista se ja tarkista samalla, että kärkiväli on oikea. Katso *Tekniset tiedot sivulla 129*. (Kuva 43)
- Vaihda sytytystulppa tarvittaessa.

## Polttoainejärjestelmän tarkistaminen

- Tutki polttoainesäiliön korkki ja polttoainesäiliön korkin tiiviste vaurioiden varalta.
- Tutki polttoaineletku vuotojen varalta. Jos polttoaineletku on vaurioitunut, vaihdata se huoltoliikkeessä.

## Polttoainesäiliön tyhjentäminen

1. Aseta astia polttoainesäiliön alle.
2. Poista polttoainesäiliön korkki.
3. Paina polttoaineletkun kiristimet kaasutinta vasten.
4. Irrota polttoaineletku kaasuttimesta.
5. Aseta polttoainesäiliön letku astiaan ja irrota letkun kiristimet.
6. Kallista tuotetta ja anna polttoaineen valua astiaan.

## Polttoainesuodattimen vaihtaminen



**VAROITUS:** Käytä suojakäsineitä.

1. Tyhjennä polttoainesäiliö.
2. Siirrä letkuklemmari sivuun polttoainesäiliöstä. (Kuva 44)
3. Irrota polttoaineletku polttoainesäiliöstä. Pieni määrä polttoainetta voi vuotaa ulos. (Kuva 45)
4. Irrota polttoainesuodatin polttoainesäiliöstä. (Kuva 46)
5. Asenna uusi polttoainesuodatin polttoainesäiliöön.
6. Kiinnitä polttoaineletku polttoainesäiliöön.
7. Aseta letkuklemmari polttoainesäiliötä vasten.

## Kytkinjohdon säätäminen (LC 140SP)

Seuraavissa tilanteissa kytkinjohtoa on pidennettävä:

- Pyörien veto ei kytkeydy, kun vetojärjestelmän sangasta tai nopeuden säätövivusta vedetään.
- Laite liikkuu hitaasti, kun pyörien veto on kytkettyä.

Seuraavissa tilanteissa kytkinjohtoa on lyhennettävä:

- Laite liikkuu, kun pyörien veto ei ole kytkettyä.
- Säädä kytkinjohtoa.
  - a) Lyhennä kytkinjohtoa kääntämällä säätöruuvia vastapäivään.
  - b) Pidennä kytkinjohtoa kääntämällä säätöruuvia myötäpäivään. (Kuva 47)

Jos ajettavuus ei parane säädön jälkeen, ota yhteyttä huoltoliikkeeseen.

## Moottorin vianmääritys

Ongelma	Mahdollinen syy	Ratkaisu
Moottori ei käynnisty.	Sytytyskaapelia ei ole liitetty oikein.	Kytke sytytyskaapeli sytytystulppaan.
	Polttoainesäiliö on tyhjä.	Täytä polttoainesäiliö oikeantyyppisellä polttoaineella.
	Polttoaine on vanhaa.	Tyhjennä polttoainesäiliö ja kaasutin. Täytä uudella polttoaineella.
	Kaasuttimessa tai polttoainejärjestelmässä on liikaa.	Puhdista kaasutin ja/tai polttoaineen syöttöletku.
	Sytytystulppa on vaurioitunut.	Säädä kärkiväli tai puhdista tai vaihda sytytystulppa.
	Sytytystulpassa on polttoainetta.	Puhdista sytytystulppa.

Ongelma	Mahdollinen syy	Ratkaisu
Moottori ei pysähdy.	Pysäytysmekanismi ei toimi oikein.	Irrota sytytyskaapeli sytytystulpasta. Korjauta tuote valtuutetussa huoltoliikkeessä.
Moottori ei käy tasaisesti.	Sytytyskaapelia ei ole liitetty oikein.	Kytke sytytyskaapeli sytytystulppaan.
	Polttoaineletkussa on likaa tai polttoaine on vanhentunutta.	Puhdista polttoaineletku. Täytä polttoainesäiliö uudella oikeantyyppisellä polttoaineella.
	Polttoainesäiliön korkissa on tukos.	Puhdista polttoainesäiliön korkki.
	Polttoainejärjestelmässä on vettä tai likaa.	Tyhjennä polttoainesäiliö. Täytä polttoainesäiliö uudella oikeantyyppisellä polttoaineella.
	Ilmansuodatin on likainen.	Puhdista ilmansuodatin.
	Kaasutinta on säädettävä.	Säädätä kaasutin valtuutetussa huoltoliikkeessä.
Moottori kuumenee liikaa.	Moottoriöljyn taso on liian alhainen.	Lisää moottoriöljyä.
	Ilmavirtaus ei ole riittävä.	Puhdista ilmansuodatin ja ilmansuodattimen kotelo.
	Kaasutinta on säädettävä.	Säädätä kaasutin valtuutetussa huoltoliikkeessä.
Moottori katkoo kun se käy kovalla nopeudella.	Sytytystulppien kärkiväli on liian pieni.	Säädä kärkiväliä.
Moottorista kuuluu epätavallisia ääniä normaalissa kuormassa.	Vääräntyyppinen polttoaine.	Tyhjennä polttoainesäiliö ja kaasutin. Täytä uudella polttoaineella. Katso kohdasta <i>Polttoaineen lisääminen sivulla 123</i> . Jos ongelma jatkuu, ota yhteys paikalliseen huoltoliikkeeseen.
Moottori ei toimi joutokäyntinopeudella tasaisesti.	Sytytystulppa on likainen tai vaurioitunut tai kärkiväli on liian suuri.	Säädä kärkiväliä tai vaihda sytytystulppa.
	Kaasutinta on säädettävä.	Säädä kaasutin.
	Ilmansuodatin on likainen.	Puhdista ilmansuodatin.

## Kuljettaminen, säilyttäminen ja hävittäminen

### Kuljetus ja säilytys

- Kun säilytät ja kuljetat tuotetta ja polttoainetta, varmista, ettei tuote vuoda polttoainetta tai polttoainehöyryä. Esimerkiksi sähkölaitteista tai lämmityskattiloista peräisin olevat kipinät tai avotuli voivat aiheuttaa tulipalon.
- Käytä polttoaineen säilytyksessä ja kuljettamisessa aina hyväksytyjä polttoainesäiliöitä.
- Tyhjennä tuotteen polttoainesäiliö, jos varastoit tuotteen pitkäksi ajaksi. Hävitä polttoaine viemällä se asianmukaiseen keräyspisteeseen.

- Vältä onnettomuudet ja tuotteen vaurioituminen kiinnittämällä tuote turvallisesti kuljetuksen ajaksi.
- Säilytä tuotetta lukitussa varastossa, jonne lapset ja asiattomat henkilöt eivät pääse.
- Säilytä tuotetta kuivassa paikassa, jossa lämpötila ei laske pakkasen puolelle.

### Hävittäminen

- Noudata paikallisia kierrätysvaatimuksia ja säädöksiä.



- Hävitä kaikki kemikaalit, kuten moottoriöljy ja polttoaine viemällä ne huoltoliikkeeseen tai asianmukaiseen keräyspisteeseen.
- Kun tuote tulee elinkaarensa päähän, hävitä tuote lähettämällä se Husqvarna-jälleenmyyjälle tai kierrätyspisteeseen.

## Tekniset tiedot

### Tekniset tiedot

	LC 140P	LC 140SP
<b>Moottori</b>		
Tuotemerkki	Husqvarna	Husqvarna
Moottorin mallin nimi	HS 123A	HS 123A
Moottorin tyyppi	Yksisylinterinen, nelitahtinen, paineilmajähdytys, OHV	Yksisylinterinen, nelitahtinen, paineilmajähdytys, OHV
Iskutilavuus, cm <sup>3</sup>	123	123
Nopeus, r/min	3 000	3 000
Moottorin nimellisteho, kW <sup>59</sup>	1,95	1,95
<b>Sytytysjärjestelmä</b>		
Sytytystulppa	Husqvarna HQT-7	Husqvarna HQT-7
Kärkiväli, mm	0,7–0,8	0,7–0,8
<b>Polttoaine-/voitelujärjestelmä</b>		
Moottorin voitelun tyyppi	Roiske	Roiske
Polttoainesäiliön tilavuus, litraa	0,9	0,9
Öljysäiliön tilavuus, litraa	0,5	0,5
Moottoriöljy <sup>60</sup>	Husqvarna SAE 30, Husqvarna SAE 5W-30 (syn-teettinen), Husqvarna SAE 10W-40	Husqvarna SAE 30, Husqvarna SAE 5W-30 (syn-teettinen), Husqvarna SAE 10W-40
<b>Paino</b>		
Säiliöt tyhjinä, kg	25,2	26,8
<b>Melupäästöt</b> <sup>61</sup>		
Äänentehotaso, mitattu dB(A)	93	93

<sup>59</sup> Moottorin ilmoitettu nimellisteho on moottorimallia edustavan tyypillisen tuotantomootorin keskimääräinen nettoteho (rpm) mitattuna SAE-standardin J1349/ISO1585 mukaisesti. Massatuotantomootorit voivat poiketa tästä arvosta. Tuotteeseen asennetun moottorin todellinen lähtöteho riippuu käyttönopeudesta, ympäristön olosuhteista ja muista arvoista.

<sup>60</sup> Käytä vähintään laatuvaluokituksen API SJ moottoriöljyä. Jos SAE-30-öljyä käytetään alle +5 °C:n lämpötilassa, öljy ei välttämättä voitele moottoria riittävästi. Se voi vahingoittaa moottoria. Katso kohdasta *Moottoriöljyn vaihtaminen sivulla 126* tiedot alhaisiin lämpötiloihin sopivasta öljystä. Tarkista viskositeetti moottorin käyttöoppaassa (jos sellainen on saatavilla) olevasta viskositeettikaaviosta ja valitse sopiva viskositeetti ulkolämpötilan perusteella.

<sup>61</sup> Melupäästö ympäristöön äänitehona (L<sub>WA</sub>) EY-direktiivin 2000/14/EY mukaisesti mitattuna.

	LC 140P	LC 140SP
Äänentehotaso, taattu $L_{WA}$ dB(A)	94	94
<b>Äänitasot</b> <sup>62</sup>		
Äänenpainetaso käyttäjän korvan tasalla, dB(A)	82	82
<b>Tärinätasot</b> <sup>63</sup>		
Kahvan tärinätaso, $m/s^2$	5,6	7,6
<b>Terävarustus</b>		
Leikkuukorkeus, mm	25–75	25–75
Leikkuuleveys, mm	400	400
Leikkujärjestelmä	Keruu/taaksepuhallus	Keruu/taaksepuhallus
Terät – vakio	Keruulaite 5873863-10	Keruulaite 5873863-10
Ruohonkerääjän tilavuus litroina	50	50
<b>Ajo</b>		
Liikkumisnopeus, km/h	–	4

<sup>62</sup> Äänenpainetasoista ilmoitettujen tietojen tyypillinen tilastollinen hajonta (keskihajonta) on 1,2 dB(A).

<sup>63</sup> Tärinätasolle ilmoitetuissa tiedoissa tyypillinen tilastollinen hajonta (vakiopoikkeama) on 0,2  $m/s^2$ .

# Vaatimustenmukaisuusvakuutus

## EU-vaatimustenmukaisuusvakuutus

Husqvarna AB, SE-561 82 Huskvarna, Ruotsi, puh. +46  
36 146500, vakuuttaa täten, että tuote:

<b>Kuvaus</b>	Ruohonleikkuri
<b>Tuotemerkki</b>	Husqvarna
<b>Tyyppi/malli</b>	LC 140P, LC 140SP
<b>Tunniste</b>	Sarjanumerot vuodesta 2022 alkaen

vastaavat täysin seuraavien EU:n direktiivien ja  
asetusten vaatimuksia:

<b>Asetus</b>	<b>Kuvaus</b>
2006/42/EC	konedirektiivi
2014/30/EU	EMC-direktiivi
2000/14/EC	Melupäästädirektiivi
2011/65/EU	Direktiivi tiettyjen vaarallisten aineiden käytön rajoittamisesta sähkö- ja elektroniikkalaitteissa

ja että asiassa sovelletaan seuraavia standardeja ja/tai  
teknisiä tietoja: EN ISO 5395-1:2013/A1:2018, EN ISO  
5395-2:2013/A1:2016/A2:2017, EN ISO 14982:2009, EN  
IEC 63000:2018

Ilmoitettu tarkastuslaitos: 0404, RISE SMP  
Svensk Maskinprovning AB, Box 4053, SE-904  
03 Umeå, Sweden vakuuttaa yhdenmukaisuuden  
neuvoston direktiivin 2000/14/EY mukaisesti,  
vaatimustenmukaisuuden arviointimenettely: liite VI.

Katso lisätietoja melupäästöistä osiosta *Tekniset tiedot*  
*sivulla 129.*

Huskvarna, 2022-09-27



Claes Losdal, kehityspäällikkö/puutarhatuotteet,  
Husqvarna AB

Teknisestä dokumentaatiosta vastaava edustaja



---

## Sommaire

---

Introduction.....	132	Dépannage moteur.....	142
Sécurité.....	133	Transport, entreposage et mise au rebut.....	143
Montage.....	136	Caractéristiques techniques.....	143
Utilisation.....	137	Déclaration de conformité.....	146
Entretien.....	138		

---

## Introduction

---

### Description du produit

Le produit est une tondeuse rotative à pousser. L'herbe est recueillie dans un collecteur d'herbe. Retirez le collecteur d'herbe pour permettre l'éjection arrière de l'herbe.

### Aperçu du produit

(Fig. 1)

1. Poignée/Guidon
2. Manette de commande (LC 140SP)
3. Poignée du câble du démarreur
4. Collecteur d'herbe
5. Réservoir de carburant
6. Filtre à air
7. Bougie
8. Capot de coupe
9. Silencieux
10. Bouchon du réservoir d'huile
11. Levier de hauteur de coupe
12. Couverture arrière
13. Poignée de frein moteur
14. Symboles
15. Ensemble de poignée inférieure
16. Poignée inférieure
17. Manuel de l'opérateur
18. Entonnoir à huile

### Symboles concernant le produit

(Fig. 2) **AVERTISSEMENT !** soyez prudent et utilisez le produit correctement. Ce produit peut causer des blessures graves, voire mortelles, à l'opérateur ou à d'autres personnes.

(Fig. 3) Veuillez lire attentivement le manuel d'utilisation et assurez-vous de bien comprendre les instructions avant utilisation.

(Fig. 4) Attention : projections et ricochets.

### Utilisation prévue

Utilisez le produit pour couper l'herbe. N'utilisez pas ce produit pour d'autres travaux.

(Fig. 5) Maintenez les personnes et les animaux à une distance suffisante de la zone de travail.

(Fig. 6) Avertissement : Éloignez vos mains et vos pieds de la lame en rotation.

(Fig. 7) Avertissement : Éloignez vos pieds et vos mains des pièces rotatives.

(Fig. 8) Coupez le moteur et retirez le câble d'allumage avant toute réparation ou opération d'entretien.

(Fig. 9) Ce produit est conforme aux directives CE en vigueur.

(Fig. 10) Étiquette relative aux émissions sonores dans l'environnement selon les directives et réglementations européennes et du Royaume-Uni et la législation de la Nouvelle-Galles du Sud « Protection of the Environment Operations (Noise Control) Regulation 2017 ». Le niveau de puissance sonore garanti du produit est spécifié dans la section *Caractéristiques techniques à la page 143* et sur l'étiquette.

(Fig. 11) Ce produit est conforme aux directives applicables en vigueur au Royaume-Uni.

(Fig. 12) Risque d'incendie.

(Fig. 13) Ne respirez pas les gaz d'échappement. Les gaz d'échappement du moteur contiennent du monoxyde de carbone, un gaz inodore, toxique et très dangereux.

Ne démarrez pas le moteur en intérieur ou dans des espaces fermés.

(Fig. 14) Surface chaude.

(Fig. 15) Remplissez le moteur d'huile avant de démarrer le produit.

**Remarque:** Les autres symboles/autocollants présents sur le produit concernent des exigences de certification spécifiques à certaines zones commerciales.

## Symboles de conformité



Ce produit est conforme aux directives applicables du décret français n° 2014-1577. Ne jetez pas ce produit dans les déchets ménagers. Il doit être mis au rebut conformément aux réglementations environnementales locales en vigueur.

## Sécurité

### Définitions de sécurité

Des avertissements, des recommandations et des remarques sont utilisés pour souligner des parties spécialement importantes du manuel.



**AVERTISSEMENT:** Symbole utilisé en cas de risque de blessures ou de mort pour l'opérateur ou les personnes à proximité si les instructions du manuel ne sont pas respectées.



**REMARQUE:** Symbole utilisé en cas de risque de dommages pour le produit, d'autres matériaux ou les environs si les instructions du manuel ne sont pas respectées.

**Remarque:** Symbole utilisé pour donner des informations supplémentaires pour une situation donnée.

## Émissions Euro V



**AVERTISSEMENT:** toute altération du moteur a pour effet d'annuler l'homologation de type UE de ce produit.

## Endommagement du produit

Nous ne sommes pas responsables des dommages subis par le produit si :

- le produit n'est pas correctement réparé ;
- le produit est réparé avec des pièces qui ne proviennent pas du fabricant ou qui ne sont pas homologuées par le fabricant ;
- le produit est équipé d'un accessoire qui ne provient pas du fabricant ou qui n'est pas homologué par le fabricant ;
- le produit n'est pas réparé par un centre d'entretien agréé ou par une autorité homologuée.

### Instructions générales de sécurité



**AVERTISSEMENT:** lisez les instructions qui suivent avant d'utiliser le produit.

- Ce produit est dangereux s'il est utilisé de manière incorrecte ou imprudente. Des blessures graves ou mortelles peuvent se produire si vous ne respectez pas les instructions de sécurité.
- Ce produit génère un champ électromagnétique durant son fonctionnement. Ce champ peut dans certaines circonstances perturber le fonctionnement d'implants médicaux actifs ou passifs. Pour réduire le risque de blessures graves ou mortelles, nous recommandons aux personnes portant des implants médicaux de consulter leur médecin et le fabricant de leurs implants avant d'utiliser ce produit.
- Soyez toujours prudent et utilisez votre bon sens. Si vous ne savez pas comment faire fonctionner le produit dans une situation particulière, ne l'utilisez pas et contactez votre revendeur Husqvarna avant de poursuivre.
- N'oubliez pas que l'opérateur sera tenu responsable des accidents occasionnés à des tiers et à leurs biens.

- Maintenez le produit propre. Assurez-vous que vous pouvez lire clairement les avertissements et les autocollants.
- Ne laissez personne utiliser le produit avant d'avoir lu et compris le contenu du manuel d'utilisation.
- Ne laissez pas un enfant utiliser le produit.
- Tenez les enfants éloignés de la zone de travail. Un adulte responsable doit être présent à tout moment.
- Ne laissez pas une personne utiliser le produit si elle ne connaît pas les instructions.
- Surveillez constamment les personnes aux capacités physiques ou mentales réduites qui utilisent ce produit. Un adulte responsable doit être présent à tout moment.
- N'utilisez jamais le produit si vous êtes fatigué ou malade, ou si vous êtes sous l'emprise d'alcool, de drogues ou de médicaments. Cela a un effet négatif sur votre vision, votre vigilance, votre coordination et votre jugement.
- N'utilisez pas un produit endommagé ou qui ne fonctionne pas correctement.
- Ne modifiez jamais le produit et ne l'utilisez jamais s'il est susceptible d'avoir été modifié par un tiers.
- Ne modifiez pas le réglage de régulation du régime moteur.

- Soyez prudent lorsque vous vous approchez de coins cachés et d'objets qui empêchent d'avoir une vue dégagée.

## Sécurité du travail



**AVERTISSEMENT:** Lisez les instructions qui suivent avant d'utiliser le produit.

- Utilisez le produit uniquement pour couper les pelouses. Il est interdit d'utiliser le produit pour d'autres travaux.
- Utilisez un équipement de protection personnelle. Reportez-vous à la section *Équipement de protection individuelle à la page 135*.
- Assurez-vous que vous savez arrêter le moteur rapidement en cas d'urgence.
- Ne démarrez jamais le moteur dans un espace clos ou à proximité de matériaux inflammables. Les gaz d'échappement du moteur sont très chauds et peuvent contenir des étincelles pouvant provoquer un incendie.
- Faites fonctionner le produit uniquement si la lame et tous les couvercles sont fixés correctement. Une lame fixée de manière inadéquate risque de se détacher et de causer des blessures personnelles.
- Assurez-vous que la lame ne touche pas des objets tels que des pierres et des racines. Cela peut ne pas endommager la lame et tordre l'arbre du moteur. Un arbre tordu génère de fortes vibrations, il y a alors un risque important que la lame se détache.
- Arrêtez immédiatement le produit s'il vibre ou bute sur un objet. Débranchez le câble d'allumage de la bougie. Vérifiez que le produit n'est pas endommagé. Réparez les éventuels dommages ou demandez à un atelier spécialisé agréé procéder aux réparations.
- N'attachez jamais la poignée de frein moteur en permanence à la poignée de commande quand le moteur est mis en marche.
- Placez le produit sur une surface stable et plane, puis lancez-le. Vérifiez que la lame ne touche pas le sol ou tout autre objet.
- Restez toujours derrière le produit lorsque vous l'utilisez.
- Faites reposer toutes les roues sur le sol et conservez vos deux mains sur la poignée lorsque vous faites fonctionner le produit. Maintenez les mains et les pieds à distance des lames en rotation.
- N'inclinez pas le produit quand le moteur est mis en marche.
- Soyez prudent lorsque vous tirez le produit vers l'avant.
- Ne soulevez jamais le produit quand le moteur est mis en marche. Si vous devez soulever le produit, coupez d'abord le moteur et débranchez le câble d'allumage de la bougie.

## Sécurité dans l'espace de travail



**AVERTISSEMENT:** Lisez les instructions qui suivent avant d'utiliser le produit.

- Retirez les objets tels que les branches, les brindilles et les pierres de la zone de travail avant d'utiliser le produit.
- Les objets heurtant l'équipement de coupe peuvent être éjectés et causer des blessures ou des dégâts matériels. Maintenez les personnes aux alentours et les animaux à une distance suffisante du produit.
- N'utilisez jamais le produit par mauvais temps, par exemple en cas de brouillard, de pluie, de vent violent, de froid intense et de risque d'éclair. Utiliser le produit par mauvais temps ou dans des environnements humides est fatigant. Le mauvais temps peut rendre les conditions de travail dangereuses : des surfaces peuvent par exemple devenir glissantes.
- Identifiez les éventuels personnes, objets et situations susceptibles de nuire à la sécurité du fonctionnement du produit.
- Soyez attentif aux obstacles tels que les racines, les pierres, les brindilles, les fosses et les fossés. L'herbe haute peut cacher des obstacles.
- Il peut être dangereux de couper l'herbe sur des terrains en pente. N'utilisez pas le produit sur un sol dont la pente est supérieure à 15°.
- Faites fonctionner le produit en travers de la courbe de la pente, jamais de haut en bas.

- Ne marchez pas vers l'arrière lorsque vous utilisez le produit.
- Arrêtez le moteur lorsque vous vous déplacez à travers des zones exemptes d'herbe, par exemple des chemins de gravier, de pierre ou d'asphalte.
- Ne courez pas lorsque vous utilisez le produit et que le moteur est mis en marche. Vous devez toujours marcher lorsque vous utilisez le produit.
- Arrêtez le moteur avant de modifier la hauteur de coupe. N'effectuez jamais de réglages pendant que le moteur tourne.
- Ne quittez jamais le produit des yeux pendant que le moteur tourne. Arrêtez le moteur et assurez-vous que l'équipement de coupe ne tourne pas.

## Consignes de sécurité pour le fonctionnement

### Équipement de protection individuelle



**AVERTISSEMENT:** Lisez les instructions qui suivent avant d'utiliser le produit.

- L'équipement de protection individuel ne protège pas complètement des blessures, mais il diminue la gravité des blessures en cas d'accident. Faites appel à votre revendeur pour vous aider à sélectionner l'équipement adéquat.
- Utilisez des protège-oreilles si le niveau sonore est supérieur à 85 dB.
- Portez des bottes ou chaussures antidérapantes à usage intensif. Ne portez pas de chaussures ouvertes et ne soyez pas pieds nus lorsque vous utilisez le produit.
- Utilisez des pantalons longs et épais.
- Portez des gants de protection en cas de besoin, par exemple lorsque vous fixez, examinez ou nettoyez l'équipement de coupe.

### Dispositifs de sécurité sur le produit



**AVERTISSEMENT:** lisez les instructions qui suivent avant d'utiliser le produit.

- N'utilisez pas un produit dont les dispositifs de sécurité sont endommagés ou ne fonctionnent pas correctement.
- Contrôlez les dispositifs de sécurité régulièrement. Si les dispositifs de sécurité sont endommagés ou ne fonctionnent pas correctement, contactez l'atelier de réparation de votre revendeur Husqvarna.
- N'apportez pas de modifications aux dispositifs de sécurité.

### Pour contrôler le capot de coupe

Le capot de coupe réduit les vibrations dans le produit et réduit le risque de blessures provoquées par la lame.

- Examinez le capot de coupe pour vous assurer qu'il ne présente pas de dommages tels que des fissures.

### Pour contrôler la poignée de frein moteur

La poignée de frein moteur arrête le moteur. Lorsque la poignée de frein moteur est relâchée, le moteur s'arrête.

- Démarrez le moteur, puis relâchez la poignée de frein moteur. Si le moteur ne s'arrête pas au bout de 3 secondes, demandez à un Husqvarna atelier spécialisé agréé de régler le frein moteur. (Fig. 16)

### Silencieux

Le silencieux est conçu pour réduire au maximum le niveau sonore et rejeter les gaz d'échappement loin du conducteur.

N'utilisez pas le produit si le silencieux est manquant ou défectueux. Un silencieux endommagé augmente le niveau sonore et le risque d'incendie.



**AVERTISSEMENT:** Le silencieux devient très chaud pendant et après utilisation et lorsque le moteur fonctionne au régime de ralenti. Soyez vigilant à proximité des matériaux inflammables et/ou des fumées pour prévenir tout risque d'incendie.

### Sécurité carburant



**AVERTISSEMENT:** lisez les instructions qui suivent avant d'utiliser le produit.

- Ne démarrez pas le produit si du carburant ou de l'huile moteur ont été renversés sur le produit. Essayez le carburant/l'huile et attendez que le produit sèche.
- Si vous avez renversé du carburant sur vos vêtements, changez de vêtements immédiatement.
- Évitez tout contact de la peau avec le carburant, car cela pourrait causer des blessures. Si votre peau entre en contact avec le carburant, lavez les parties concernées avec de l'eau et du savon.
- Ne démarrez pas le produit si le moteur présente une fuite. Vérifiez régulièrement que le moteur ne présente aucune fuite.
- Faites attention avec le carburant. Le carburant est inflammable et ses vapeurs sont explosives. Il peut causer des blessures graves, voire mortelles.
- Ne respirez pas les vapeurs de carburant, elles peuvent causer des blessures. Assurez-vous que la ventilation est suffisante.
- Ne fumez pas à proximité du carburant ou du moteur.

- Ne placez pas d'objets chauds à proximité du carburant ou du moteur.
- N'ajoutez pas de carburant lorsque le moteur est allumé.
- Assurez-vous que le moteur est froid avant de faire le plein de carburant.
- Avant de faire le plein, ouvrez le bouchon du réservoir de carburant lentement et relâchez la pression avec précaution.
- N'ajoutez pas de carburant au moteur dans un espace intérieur. Un débit d'air insuffisant peut causer des blessures graves, voire mortelles dues à une asphyxie ou au monoxyde de carbone.
- Serrez complètement le bouchon du réservoir de carburant. Si le bouchon du réservoir de carburant n'est pas serré, il y a un risque d'incendie.
- Déplacez le produit à au moins 3 m/10 pi de l'endroit où l'appoint en carburant a été effectué avant de démarrer le produit.
- Ne remplissez pas entièrement le réservoir de carburant. La chaleur entraîne la dilatation du carburant. Laissez un espace en haut du réservoir de carburant.
- Ne remisez jamais le produit avec du carburant dans le réservoir à l'intérieur d'un bâtiment où se trouvent des sources d'ignition telles que des chauffe-eau, des radiateurs ou des sèche-linge. Laissez refroidir le moteur avant de remiser le produit dans un endroit clos.
- Les gaz d'échappement du moteur contiennent du monoxyde de carbone, un gaz inodore, toxique et très dangereux. Ne démarrez pas le moteur en intérieur ou dans des espaces fermés.
- Avant de procéder à l'entretien du produit, arrêtez le moteur et débranchez le câble d'allumage de la bougie.
- Utilisez des gants de protection lorsque vous procédez à l'entretien de l'équipement de coupe. La lame est très tranchante et des coupures peuvent survenir facilement.
- Les accessoires et les modifications apportées au produit qui ne sont pas approuvés par le fabricant peuvent causer des blessures très graves, voire mortelles. Ne modifiez pas le produit. Utilisez toujours des accessoires qui sont approuvés par le fabricant.
- Si l'entretien n'est pas effectué correctement et régulièrement, le risque de blessures et d'endommagement du produit augmente.
- Effectuez uniquement les tâches d'entretien décrites dans le présent manuel d'utilisation. Toutes les autres tâches d'entretien doivent être effectuées par un Husqvarna atelier spécialisé agréé.
- Demandez à un Husqvarna atelier spécialisé d'effectuer régulièrement l'entretien du produit.
- Remplacez les pièces endommagées, usées ou cassées.

## Consignes de sécurité pour l'entretien



**AVERTISSEMENT:** Lisez les instructions qui suivent avant d'utiliser le produit.

## Montage

### Pour monter la poignée

1. Poussez la vis (A) dans la poignée (B), la rondelle en plastique (C) et le support de poignée (D). (Fig. 17)
2. Serrez entièrement l'écrou (E).
3. Poussez la vis (F) dans la rondelle (G) et le support de poignée.
4. Serrez entièrement le bouton (H).
5. Alignez les trous du guidon avec les trous de la poignée inférieure et fixez les vis, les rondelles et les boutons. Serrez fermement les boutons. (Fig. 18)
6. Fixez les câbles à la poignée avec les supports de câble. (Fig. 19)

**Remarque:** Assurez-vous que la tension dans les câbles n'est pas trop élevée. Une tension trop élevée peut endommager le câble si la poignée est rabattue en position de transport.

7. Placez les câbles autour du crochet sur la partie inférieure de la poignée. (Fig. 20)

### Pour régler la hauteur de la poignée

1. Desserrez les boutons inférieurs. (Fig. 21)
2. Déposez le bouton, la rondelle et la vis de chaque côté.
3. La poignée peut être réglée sur 2 hauteurs différentes. Placez la vis dans l'un des 2 trous de chaque côté. (Fig. 22)
4. Fixez les vis, les rondelles et les boutons.
5. Déplacez les boutons vers le haut, en direction de la poignée, jusqu'à ce qu'ils s'arrêtent et qu'un clic se fasse entendre. Serrez fermement les boutons. (Fig. 23)



## Pour régler le produit en position de transport

1. Retirez le collecteur d'herbe.
2. Desserrez les boutons de la poignée supérieure et repliez la poignée vers le bas. (Fig. 24)
3. Desserrez les boutons inférieurs.
4. Faites glisser les boutons jusqu'aux extrémités inférieures des rainures sur le côté gauche et le côté droit de la machine. (Fig. 25)
5. Pliez la poignée vers l'avant. (Fig. 26)

## Pour régler le produit en position de fonctionnement

1. Soulevez le guidon jusqu'à ce que la poignée inférieure se verrouille en position de fonctionnement. (Fig. 27)
2. Déplacez les boutons vers le haut, en direction de la poignée, jusqu'à ce qu'ils s'arrêtent et qu'un clic se fasse entendre.

3. Serrez fermement les boutons. (Fig. 28)
4. Soulevez la partie supérieure du guidon.
5. Serrez fermement les boutons. (Fig. 29)

## Montage du collecteur d'herbe

1. Insérez la partie supérieure du collecteur d'herbe dans la partie inférieure du collecteur d'herbe. (Fig. 30)
2. Fixez le châssis du collecteur d'herbe à l'aide des clips. (Fig. 31)
3. Soulevez le capot arrière.
4. Fixez les crochets du collecteur d'herbe sur le bord supérieur du châssis. (Fig. 32)
5. Placez la partie inférieure du collecteur d'herbe dans le canal d'éjection de l'herbe.

---

## Utilisation

---

### Introduction



**AVERTISSEMENT:** Avant d'utiliser le produit, vous devez lire et comprendre le chapitre sur la sécurité.

### Husqvarna Connect

Husqvarna Connect est une application gratuite pour votre appareil mobile. L'application Husqvarna Connect offre des fonctions étendues à votre produit Husqvarna :

- Informations produit détaillées.
- Informations et aide sur les pièces et l'entretien du produit.

### Pour commencer à utiliser Husqvarna Connect

1. Téléchargez l'application Husqvarna Connect sur votre appareil mobile.
2. Enregistrez-vous sur l'application Husqvarna Connect.
3. Suivez les instructions de l'application Husqvarna Connect pour vous connecter et enregistrer le produit.

### Avant d'utiliser le produit

1. Lisez attentivement le manuel d'utilisation et assurez-vous de bien comprendre les instructions.
2. Examinez l'équipement de coupe pour vous assurer qu'il est bien fixé et réglé. Consultez la section *Pour inspecter l'équipement de coupe à la page 139.*

3. Remplissez le réservoir de carburant. Consultez la section *Pour faire l'appoint en carburant à la page 137.*
4. Remplissez le réservoir d'huile et contrôlez le niveau d'huile. Consultez la section *Pour vérifier le niveau d'huile à la page 140.*

### Pour faire l'appoint en carburant

Le cas échéant, utilisez de l'essence à faibles émissions/un carburant alkylate. Si vous ne disposez pas d'essence à faibles émissions/de carburant alkylate, utilisez de l'essence sans plomb de bonne qualité ou de l'essence au plomb dont l'indice d'octane n'est pas inférieur à 91.



**REMARQUE:** N'utilisez pas d'essence avec un indice d'octane inférieur à 91 RON. En cas de non-respect de cette consigne, vous risquez d'endommager le produit.



**REMARQUE:** Remplacez le filtre à carburant une fois par an ou plus fréquemment, si nécessaire. Un nouveau filtre à carburant est disponible chez votre revendeur Husqvarna.



**REMARQUE:** Arrêtez toujours le moteur avant de faire l'appoint en carburant.



**REMARQUE:** N'utilisez pas de fluides de démarrage sous pression.

1. Ouvrez lentement le couvercle du réservoir de carburant pour relâcher la pression.
2. Remplissez lentement le réservoir à l'aide d'un bidon de carburant. Si vous renversez du carburant, essuyez-le à l'aide d'un chiffon et laissez le carburant restant sécher. (Fig. 33)
3. Essayez le pourtour du bouchon du réservoir de carburant.
4. Serrez complètement le bouchon du réservoir de carburant. Si le bouchon du réservoir de carburant n'est pas serré, il y a un risque d'incendie.
5. Déplacez le produit à au moins 3 m/10 pi de l'endroit où l'appoint en carburant a été effectué avant de démarrer le produit.

### Pour régler la hauteur de coupe

1. Déplacez le levier de hauteur de coupe vers l'arrière pour augmenter la hauteur de coupe.
2. Déplacez le levier de hauteur de coupe vers l'avant pour diminuer la hauteur de coupe. (Fig. 34)



**REMARQUE:** La hauteur de coupe ne doit pas être réglée trop bas. Les lames peuvent toucher le sol si la surface de la pelouse n'est pas plane.

### Pour démarrer le produit

1. Assurez-vous que le câble d'allumage est branché sur la bougie.
2. Restez derrière le produit.
3. Tenez la poignée de freinage du moteur contre le guidon. (Fig. 35)
4. Tenez la poignée du câble du démarreur de votre main droite.
5. Tirez lentement sur le câble du démarreur jusqu'à ce que vous sentiez une certaine résistance.

6. Tirez avec force pour démarrer le moteur.



**AVERTISSEMENT:** N'enroulez pas le câble du démarreur autour de votre main.

### Pour appliquer l'entraînement aux roues

- Poussez la manette de commande en direction du guidon. (Fig. 36)
- Relâchez la manette de commande pour désengager l'entraînement, lorsque vous vous rendez à proximité d'un obstacle par exemple.
- Avant de tirer le produit vers l'arrière, désengagez l'entraînement et poussez le produit d'environ 10 cm vers l'avant.

### Pour arrêter le produit

- Pour arrêter uniquement l'entraînement, relâchez la manette de commande.
- Pour arrêter le moteur, relâchez la poignée de freinage du moteur.

### Pour obtenir de bons résultats

- Utilisez toujours une lame correctement affûtée. Une lame émoussée produit un résultat irrégulier et l'herbe jaunira à la surface de la coupe. De plus, une lame affûtée consomme moins d'énergie qu'une lame émoussée.
- Ne coupez pas plus d'un tiers de la longueur de l'herbe. Coupez d'abord avec une hauteur de coupe élevée. Examinez le résultat et abaissez la hauteur de coupe à un niveau convenable. Si l'herbe est très longue, tondez lentement, et deux fois si nécessaire.
- Tondez toujours dans différentes directions afin d'éviter de faire des lignes dans la pelouse.
- Assurez-vous que le carter de coupe reste propre. L'accumulation d'herbe et de saleté sur la face intérieure du carter de coupe peut réduire la qualité du résultat de coupe. Reportez-vous à la section *Pour nettoyer la surface interne du capot de coupe à la page 139.*

## Entretien

### Introduction



**AVERTISSEMENT:** Avant d'effectuer des travaux d'entretien, vous devez lire et comprendre le chapitre sur la sécurité.

Une formation spécifique est nécessaire pour effectuer tous les travaux d'entretien et de réparation du produit. Nous garantissons qu'il vous est possible d'obtenir des services de réparation et d'entretien effectués par des professionnels. Si votre revendeur n'est pas un atelier

spécialisé, demandez-lui des informations à propos de l'atelier spécialisé le plus proche.

Pour des informations plus détaillées, reportez-vous à .

### Calendrier d'entretien



**REMARQUE:** Assurez-vous que le filtre à air est orienté vers le haut et qu'il n'est pas contre le sol lorsque vous inclinez le produit. Risque de détérioration du moteur.

Les intervalles d'entretien sont calculés selon une utilisation quotidienne du produit. Les intervalles sont différents si le produit n'est pas utilisé tous les jours.

Pour les travaux d'entretien suivis d'un astérisque (\*), reportez-vous aux instructions dans la section *Dispositifs de sécurité sur le produit à la page 135.*

Entretien	Au quotidien	Une fois par mois	À chaque saison
Faites une inspection générale	X		
Inspectez le niveau d'huile	X		
Changez l'huile (la première fois après 5 h d'utilisation, puis toutes les 50 h d'utilisation) <sup>64</sup>			X
Nettoyez le produit	X		
Inspectez l'équipement de coupe	X		
Inspectez le capot de coupe *	X		
Inspectez la poignée de frein moteur *	X		
Inspectez le silencieux *		X	
Vérifiez la bougie. Nettoyez ou remplacez la bougie si nécessaire			X
Inspectez le filtre à air	X		
Nettoyez le filtre à air <sup>65</sup>		X	
Remplacez le filtre à air			X
Inspectez le système de carburant			X
Nettoyez les ailettes de refroidissement sur le cylindre.		X	
Contrôlez et réglez le câble d'embrayage (LC 140SP)			X

## Pour faire une inspection générale

- Assurez-vous que l'ensemble des vis et des écrous du produit sont correctement serrés.

## Pour nettoyer la partie extérieure du produit

- Utilisez une brosse pour enlever les feuilles, l'herbe et la saleté.
- Assurez-vous que la prise d'air sur le dessus du moteur n'est pas obstruée.
- N'utilisez pas de nettoyeur haute pression pour le nettoyage du produit.
- Si vous utilisez de l'eau pour nettoyer le produit, ne projetez jamais d'eau directement sur le moteur.

## Pour nettoyer la surface interne du capot de coupe

- Videz le réservoir de carburant.

- Inclinez le produit. Assurez-vous que la bougie pointe vers le haut.



**REMARQUE:** Si le produit est posé avec le filtre à air vers le bas, le moteur peut être endommagé.

- Lavez au jet la surface intérieure du capot de coupe.

## Pour inspecter l'équipement de coupe



**AVERTISSEMENT:** Afin d'éviter tout démarrage accidentel, débranchez le câble d'allumage de la bougie.



**AVERTISSEMENT:** Utilisez des gants de protection lorsque vous procédez à l'entretien de l'équipement de coupe. La lame est très tranchante et des coupures peuvent survenir facilement.

<sup>64</sup> Si le produit est utilisé avec une charge lourde ou à une température ambiante élevée, remplacez l'huile moteur toutes les 25 heures.

<sup>65</sup> Nettoyez-le plus souvent en cas de conditions poussiéreuses ou en présence de rejets aériens. Remplacez le filtre à air s'il est très sale.

1. Inspectez l'équipement de coupe afin de détecter d'éventuels dommages ou fissures. Remplacez toujours un équipement de coupe endommagé.
2. Inspectez la lame pour voir si elle est endommagée ou émoussée.

---

**Remarque:** Il est nécessaire d'équilibrer la lame après l'avoir affûtée. Demandez à un centre d'entretien d'affûter, de remplacer et d'équilibrer la lame. Si vous heurtez un obstacle qui entraîne l'arrêt du produit, remplacez la lame endommagée. Demandez au centre d'entretien d'évaluer si la lame peut être affûtée ou si elle doit être remplacée.

---

## Pour remplacer la lame

1. Bloquez la lame avec une cale en bois. (Fig. 37)
2. Retirez le boulon de lame et la rondelle ressort.
3. Retirez la lame.
4. Examinez le support de lame et le boulon de lame pour voir s'ils sont endommagés.
5. Examinez l'arbre du moteur pour vous assurer qu'il n'est pas tordu.
6. Lorsque vous fixez la nouvelle lame, orientez le tranchant en direction du capot de coupe. (Fig. 38)
7. Assurez-vous que la lame est alignée par rapport au centre de l'arbre du moteur.
8. Bloquez la lame avec une cale en bois. Fixez la rondelle ressort, puis serrez le boulon et la rondelle à un couple de 45–60 Nm. (Fig. 39)
9. Déplacez la lame à la main et vérifiez qu'elle tourne librement.



**AVERTISSEMENT:** Utilisez des gants de travail épais. La lame est très tranchante et des coupures peuvent survenir facilement.

10. Démarrez le produit pour tester la lame. Si la lame n'est pas correctement fixée, le produit vibre ou le résultat de coupe n'est pas satisfaisant.

## Pour vérifier le niveau d'huile



**REMARQUE:** Un niveau d'huile trop bas peut endommager le moteur. Contrôlez le niveau d'huile avant de démarrer le produit.

1. Placez le produit sur un sol plat.
2. Retirez le bouchon du réservoir d'huile et la jauge qui y est fixée.
3. Nettoyez l'huile sur la jauge.
4. Enfoncez entièrement la jauge dans le réservoir d'huile pour connaître le véritable niveau d'huile. Ne fixez pas le bouchon du réservoir d'huile.

5. Retirez le bouchon du réservoir d'huile et la jauge qui y est fixée.
6. Inspectez le niveau d'huile sur la jauge.
7. Si le niveau d'huile est bas, faites l'appoint d'huile moteur et contrôlez à nouveau le niveau d'huile. (Fig. 40)

---

**Remarque:** Utilisez un entonnoir pour éviter tout déversement.

---

8. Posez le bouchon du réservoir d'huile lorsque le niveau d'huile est correct.

## Remplacement de l'huile moteur



**AVERTISSEMENT:** L'huile moteur est très chaude juste après l'arrêt du moteur. Laissez le moteur refroidir avant de vidanger l'huile moteur. Si vous renversez de l'huile moteur sur votre peau, nettoyez avec de l'eau et du savon.

(Fig. 41)

1. Faites fonctionner le produit jusqu'à ce que le réservoir de carburant soit vide.
2. Débranchez le câble d'allumage de la bougie.
3. Retirez le bouchon du réservoir d'huile et la jauge qui y est fixée.
4. Placez un récipient sous le produit pour recueillir l'huile moteur.
5. Inclinez le produit ou vidangez l'huile moteur du réservoir d'huile à l'aide d'une pompe à huile (accessoire).
6. Faites l'appoint avec de l'huile moteur neuve du type recommandé dans la section *Caractéristiques techniques à la page 143*.
7. Contrôlez le niveau d'huile. Reportez-vous à la section *Pour vérifier le niveau d'huile à la page 140*.
8. Posez le bouchon du réservoir d'huile lorsque le niveau d'huile est correct.

## Pour nettoyer le filtre en mousse plastique



**REMARQUE:** ne démarrez pas le moteur lorsque les filtres à air sont déposés. L'usure du moteur augmente si l'air est sale.

1. Retirez le couvercle du filtre à air (A). (Fig. 42)
2. Retirez les filtres en mousse plastique (B).



**REMARQUE:** Vérifiez que les filtres en mousse plastique ne sont pas endommagés ou usés. Remplacez tous les filtres en mousse plastique endommagés.

- Nettoyez les filtres en mousse plastique avec de l'eau et du savon.
- Rincez les filtres en mousse plastique avec de l'eau propre.
- Pressez les filtres en mousse plastique pour en faire sortir l'eau et laissez-les sécher.



**REMARQUE:** N'utilisez pas d'air comprimé. Cela peut endommager le filtre en mousse.

- Lubrifiez les filtres en mousse plastique à l'aide d'huile moteur.
- Appliquez un chiffon propre sur le filtre en mousse plastique pour retirer l'excédent d'huile.
- Posez les filtres en mousse plastique. Veillez à assurer une bonne étanchéité entre les filtres en mousse plastique et le support de filtre à air.
- Installez le couvercle de filtre à air.

## Pour inspecter la bougie



**REMARQUE:** Utilisez toujours le type de bougie recommandé. Un type de bougie inadéquat peut endommager le produit.

- Inspectez la bougie si le moteur manque de puissance, n'est pas facile à démarrer ou ne fonctionne pas correctement lorsqu'il tourne au régime de ralenti.
- Afin de réduire le risque de présence de matériaux indésirables sur les électrodes de la bougie, procédez comme suit :
  - Assurez-vous que le régime de ralenti est correctement réglé.
  - Assurez-vous que le mélange de carburant est correct.
  - Assurez-vous que le filtre à air est propre.
- Si la bougie est encrassée, nettoyez-la et vérifiez que l'écartement des électrodes est correct ; reportez-vous à la section *Caractéristiques techniques à la page 143*. (Fig. 43)
- Remplacez la bougie si nécessaire.

## Pour examiner le système de carburant

- Examinez le couvercle du réservoir de carburant et le joint du couvercle du réservoir de carburant pour vous assurer qu'ils ne sont pas endommagés.
- Examinez le tuyau à carburant pour vous assurer qu'il n'y a pas de fuite. Si le tuyau à carburant est endommagé, demandez à un atelier spécialisé de le remplacer.

## Vidange du réservoir de carburant

- Placez un récipient sous le réservoir de carburant.
- Retirez le bouchon du réservoir de carburant.

- Poussez les colliers de serrage sur le flexible de carburant contre le carburateur.
- Déposez le flexible de carburant du carburateur.
- Placez le flexible du réservoir de carburant dans le récipient et déposez les colliers de serrage.
- Inclinez le produit et vidangez le carburant dans le récipient.

## Pour remplacer le filtre à carburant



**AVERTISSEMENT:** Utilisez des gants de protection.

- Videz le réservoir de carburant.
- Écartez le collier de durite du réservoir de carburant. (Fig. 44)
- Retirez les tuyaux à carburant du réservoir de carburant. Une petite quantité de carburant peut s'écouler. (Fig. 45)
- Retirez le filtre à carburant du réservoir de carburant. (Fig. 46)
- Montez un filtre à carburant neuf dans le réservoir de carburant.
- Fixez le tuyau à carburant sur le réservoir de carburant.
- Mettez le collier de tuyau en place contre le réservoir de carburant.

## Pour régler le câble d'embrayage (LC 140SP)

Pour les situations suivantes, il est nécessaire de réduire la longueur du câble d'embrayage :

- L'entraînement des roues ne s'engage pas lorsque vous tirez la manette de commande ou le levier de commande de vitesse.
- Le produit se déplace lentement lorsque l'entraînement des roues est engagé.

Pour les situations suivantes, il est nécessaire d'augmenter la longueur du câble d'embrayage :

- Le produit se déplace lorsque l'entraînement des roues n'est pas engagé.
- Réglez le câble d'embrayage.
  - Pour réduire la longueur du câble d'embrayage, tournez la vis de réglage dans le sens contraire des aiguilles d'une montre.
  - Pour augmenter la longueur du câble d'embrayage, tournez la vis de réglage dans le sens des aiguilles d'une montre. (Fig. 47)

Si le produit continue à ne pas fonctionner correctement après le réglage, contactez votre atelier d'entretien

## Dépannage moteur

Problème	Cause possible	Solution
Le moteur ne démarre pas.	Le câble d'allumage n'est pas branché correctement.	Branchez le câble d'allumage à la bougie.
	Le réservoir de carburant est vide.	Remplissez le réservoir de carburant avec le carburant adéquat.
	Le carburant est vieux.	Vidangez le réservoir de carburant et le carburateur. Faites le plein d'essence propre.
	Il y a des saletés dans le carburateur ou dans la durite de carburant.	Nettoyez le carburateur et/ou la durite de carburant.
	La bougie est endommagée.	Réglez l'écartement des électrodes, nettoyez ou remplacez la bougie.
	Présence de carburant sur la bougie.	Nettoyez la bougie.
Le moteur ne s'arrête pas.	La mécanique d'arrêt ne fonctionne pas correctement.	Débranchez le câble d'allumage de la bougie. Faites réparer le produit par un atelier de réparation homologué.
Le moteur ne fonctionne pas correctement.	Le câble d'allumage n'est pas branché correctement.	Branchez le câble d'allumage à la bougie.
	Des saletés sont présentes dans la durite de carburant ou le carburant a expiré.	Nettoyez la durite de carburant. Remplissez le réservoir de carburant avec du carburant neuf adéquat.
	Le bouchon du réservoir de carburant est colmaté.	Nettoyez le bouchon du réservoir de carburant.
	De l'eau ou de la saleté sont présentes dans le système de carburant.	Videz le réservoir de carburant. Remplissez le réservoir de carburant avec du carburant neuf adéquat.
	Le filtre à air est sale.	Nettoyez le filtre à air.
	Le carburateur doit être réglé.	Laissez un atelier d'entretien régler le carburateur.
Le moteur devient trop chaud.	Le niveau d'huile moteur est trop bas.	Faites l'appoint en huile moteur.
	Le débit d'air est insuffisant.	Nettoyez le filtre à air et le boîtier du filtre à air.
	Le carburateur doit être réglé.	Laissez un atelier d'entretien régler le carburateur.
Des ratés proviennent du moteur lorsqu'il fonctionne à grande vitesse.	L'écartement des électrodes dans la bougie est trop petit.	Réglez l'écartement des électrodes.
Bruits inhabituels du moteur en charge normale.	Type d'essence incorrect.	Vidangez le réservoir de carburant et le carburateur. Faites le plein d'essence propre. Reportez-vous à la section <i>Pour faire l'appoint en carburant à la page 137</i> . Si le problème persiste, contactez votre atelier d'entretien local.

Problème	Cause possible	Solution
Le moteur ne fonctionne pas correctement lorsqu'il tourne au régime de ralenti.	La bougie est sale, endommagée ou l'écartement des électrodes est trop grand.	Ajustez l'écartement des électrodes ou remplacez la bougie.
	Le carburateur doit être réglé.	Réglez le carburateur.
	Le filtre à air est sale.	Nettoyez le filtre à air.

## Transport, entreposage et mise au rebut

### Transport et stockage

- Pour le stocker et transporter le produit et le carburant, assurez-vous qu'il n'y a pas de fuite ou de vapeurs. Les étincelles ou les flammes nues produites par exemple par des appareils électriques ou chaudières peuvent provoquer un incendie.
- Utilisez uniquement des récipients homologués pour le transport et le stockage de carburant.
- Videz le réservoir de carburant avant de remiser le produit pendant une longue période. Mettez le carburant au rebut dans une déchetterie appropriée
- Sécurisez le produit lors de son transport pour éviter tout dommage ou accident.
- Conservez le produit dans un endroit verrouillé afin que des enfants ou personnes qui ne sont pas autorisées à l'utiliser ne puissent pas y avoir accès.

- Conservez le produit dans un endroit sec et à l'abri du gel.

### Mise au rebut

- Respectez les consignes locales de recyclage et la réglementation en vigueur.
- Mettez au rebut tous les produits chimiques tels que l'huile moteur ou le carburant à un centre d'entretien ou à une déchetterie appropriée.
- Lorsque vous n'utilisez plus le produit, renvoyez-le à un Husqvarna concessionnaire ou mettez-le au rebut dans une déchetterie.

## Caractéristiques techniques

### Caractéristiques techniques

	LC 140P	LC 140SP
<b>Moteur</b>		
Marque	Husqvarna	Husqvarna
Nom de modèle du moteur	HS 123A	HS 123A
Type de moteur	Un cylindre, 4 temps, refroidissement par air forcé, OHV	Un cylindre, 4 temps, refroidissement par air forcé, OHV
Cylindrée, cm <sup>3</sup>	123	123
Vitesse, tr/min	3 000	3 000
Puissance nominale du moteur, kW <sup>66</sup>	1,95	1,95

<sup>66</sup> La puissance nominale du moteur indiquée est la puissance nette moyenne (à un régime spécifié) d'un moteur de production classique pour le modèle de moteur mesurée selon la norme SAE J1349/ISO1585. Les moteurs produits à grande échelle peuvent s'écarter de cette valeur. La puissance de sortie effective du moteur installé sur le produit fini dépend de la vitesse de fonctionnement, des conditions environnementales et d'autres valeurs.

	LC 140P	LC 140SP
<b>Système d'allumage</b>		
Bougie	Husqvarna HQT-7	Husqvarna HQT-7
Écartement des électrodes, mm	0,7-0,8	0,7-0,8
<b>Système de lubrification et de carburant</b>		
Type de lubrification du moteur	Éclaboussures	Éclaboussures
Capacité du réservoir de carburant, en litres	0,9	0,9
Capacité du réservoir d'huile, en litres	0,5	0,5
Huile moteur <sup>67</sup>	Husqvarna SAE 30, Husqvarna SAE 5W-30 synthétique, Husqvarna SAE 10W-40	Husqvarna SAE 30, Husqvarna SAE 5W-30 synthétique, Husqvarna SAE 10W-40
<b>Poids</b>		
Réservoirs vides, en kg	25,2	26,8
<b>Émissions sonores</b> <sup>68</sup>		
Niveau de puissance acoustique mesuré, dB(A)	93	93
Niveau de puissance acoustique garanti, L <sub>WA</sub> dB(A)	94	94
<b>Niveaux sonores</b> <sup>69</sup>		
Niveau de pression sonore à l'oreille de l'utilisateur, dB(A)	82	82
<b>Niveaux de vibrations</b> <sup>70</sup>		
Vibrations au niveau du guidon, m/s <sup>2</sup>	5,6	7,6
<b>Équipement de coupe</b>		
Hauteur de coupe, mm	25-75	25-75
Largeur de coupe, mm	400	400
Système de coupe	Ramassage / éjection arrière	Ramassage / éjection arrière
Lames - standard	Ramassage 5873863-10	Ramassage 5873863-10
Capacité du collecteur d'herbe, litres	50	50
<b>Entraînement</b>		

<sup>67</sup> Utilisez de l'huile moteur de qualité API SJ ou supérieure. Si l'huile SAE-30 est utilisée à une température inférieure à +5 °C, elle risque de ne pas lubrifier suffisamment le moteur. Cela peut endommager le moteur. Reportez-vous à la section *Remplacement de l'huile moteur à la page 140* afin de connaître l'huile appropriée pour les basses températures. Reportez-vous au tableau de viscosité du manuel du moteur (le cas échéant) et sélectionnez la viscosité la mieux adaptée en fonction de la température extérieure prévue.

<sup>68</sup> Émissions sonores dans l'environnement mesurées comme puissance acoustique (L<sub>WA</sub>) selon la directive européenne CE 2000/14/CE.

<sup>69</sup> Les données reportées pour le niveau de pression sonore montrent une dispersion statistique typique (déviat-ion standard) de 1,2 dB (A).

<sup>70</sup> Les données reportées pour le niveau de vibrations montrent une dispersion statistique typique (déviat-ion standard) de 0,2 m/s<sup>2</sup>.



	LC 140P	LC 140SP
Vitesse de marche, km/h	-	4

# Déclaration de conformité

## Déclaration de conformité UE

Nous, **Husqvarna AB**, SE-561 82 Huskvarna, Suède,  
tél : +46-36-146500, déclarons sous notre entière  
responsabilité que le produit :

<b>Description</b>	Tondeuse
<b>Marque</b>	Husqvarna
<b>Type/Modèle</b>	LC 140P, LC 140SP
<b>Identification</b>	Les numéros de série à partir de 2022 et ultérieurs

est entièrement conforme à la réglementation et aux  
directives de l'UE suivantes :

Réglementation	Description
2006/42/EC	« relative aux machines »
2014/30/UE	« relative à la compatibilité électromagnétique »
2000/14/EC	« relative aux émissions sonores dans l'environnement »
2011/65/UE	« relative à la limitation de l'utilisation de certaines substances dangereuses au sein d'équipements électriques et électroniques »

et que les normes et/ou les spécifications techniques  
suivantes sont appliquées : EN ISO 5395-1:2013/  
A1:2018, EN ISO 5395-2:2013/A1:2016/A2:2017, EN  
ISO 14982:2009, EN IEC 63000:2018

Organisme notifié : 0404, RISE SMP Svensk  
Maskinprovning AB, Box 4053, SE-904 03 Umeå,  
Sweden a certifié être conforme à la Directive du  
Conseil 2000/14/CE, procédure d'évaluation de la  
conformité : Annexe VI.

Pour toute information relative aux émissions sonores,  
voir *Caractéristiques techniques à la page 143*.

Huskvarna, 2022-09-27



Claes Losdal, Directeur du développement/Articles de  
jardinage Husqvarna AB

Responsable de la documentation technique



---

## Sadržaj

---

Uvod.....	147	Rješavanje problema na motoru.....	155
Sigurnost.....	148	Prijevoz, spremanje i zbrinjavanje.....	156
Sastavljanje.....	150	Tehnički podaci.....	157
Rad.....	151	Izjava o sukladnosti.....	159
Održavanje.....	152		

---

## Uvod

---

### Opis proizvoda

Proizvod je rotacijska kosilica za travu kojom upravlja pješak. Trava se skuplja u sakupljaču trave. Uklonite sakupljač trave kako biste omogućili izbacivanje trave na stražnjoj strani.

### Pregled proizvoda

(Sl. 1)

1. Ručka/šipka
2. Poluga pogona (LC 140SP)
3. Drška užeta startera
4. Sakupljač trave
5. Spremnik za gorivo
6. Filtar zraka
7. Svječića
8. Pokrov noža
9. Prigušivač
10. Čep spremnika za ulje
11. Poluga za visinu rezanja
12. Stražnji poklopac
13. Kočna poluga motora
14. Znakovi
15. Sklop donje ručke
16. Donja ručka
17. Korisnički priručnik
18. Lijevak za ulje

### Simboli na proizvodu

- (Sl. 2) **UPOZORENJE!** Budite oprezni i pravilno upotrebljavajte ovaj proizvod. Ovaj proizvod može izazvati teške ozljede ili smrt rukovatelja ili drugih osoba.
- (Sl. 3) Pažljivo pročitajte korisnički priručnik i prije korištenja dobro usvojite sadržaj.
- (Sl. 4) Pazite na izbačene predmete i odbijanja.
- (Sl. 5) Osobe i životinje držite na sigurnoj udaljenosti od radnog područja.

### Namjena

Proizvod upotrebljavajte za rezanje trave. Proizvod nemojte upotrebljavati za druge zadatke.

(Sl. 6) **Upozorenje:** Ruke i stopala držite podalje od rotirajućeg noža.

(Sl. 7) **Upozorenje:** Šake i stopala držite podalje od rotirajućih dijelova.

(Sl. 8) Prije popravaka ili održavanja zaustavite motor i uklonite kabel za paljenje.

(Sl. 9) Ovaj je proizvod u suglasnosti je s važećim direktivama EZ-a.

(Sl. 10) Najljepnica emisije buke u okoliš u skladu s direktivama i propisima EU i UK te propisom Novog Južnog Walesa „Zaštita od radova u okolišu (kontrola buke) iz 2017“. Zajamčena razina jačine zvuka proizvoda naznačena je u odjeljku *Tehnički podaci na stranici 157* i na naljepnici.

(Sl. 11) Ovaj je proizvod u skladu s važećim direktivama UK-a.

(Sl. 12) **Opasnost od požara.**

(Sl. 13) **Nemojte udisati ispušne pare.** Ispušni plinovi iz motora sadrže ugljikov monoksid, vrlo opasan otrovni plin bez mirisa. Proizvod nemojte pokretati u zatvorenom ili uskom prostoru.

(Sl. 14) **Vruća površina.**

(Sl. 15) **Prije pokretanja proizvoda motor napunite uljem.**

**Napomena:** Drugi simboli/naljepnice na proizvodu odnose se na zahtjeve za certifikaciju za neka tržišna područja.

## Standard za emisije Euro V.



**UPOZORENJE:** Petljanjem po motoru gubite pravo na odobrenje EU-a ovog proizvoda.

## Oštećenje proizvoda

U sljedećim okolnostima nećemo biti odgovorni za oštećenja proizvoda:

- proizvod nepravilno popravljen
- proizvod popravljen dijelovima koje nije proizveo proizvođač ili nemaju odobrenje proizvođača
- proizvod ima dodatnu opremu koje nije proizveo proizvođač ili nemaju odobrenje proizvođača
- proizvod nije popravljen u odobrenom servisnom centru ili kod ovlaštene osobe.

## Sigurnost

### Sigurnosne definicije

Upozorenjima, oprezima i napomenama naglašavaju se posebno važni dijelovi priručnika.



**UPOZORENJE:** Koristi se kada nepoštivanje uputa iz priručnika može uzrokovati smrt ili ozljede rukovatelja ili promatrača.



**OPREZ:** Koristi se kada nepoštivanje uputa iz priručnika može uzrokovati oštećenje proizvoda ili drugih materijala u neposrednoj blizini.

**Napomena:** Koristi se prikaz neophodnih dodatnih informacija za zadanu situaciju.

### Opće sigurnosne upute



**UPOZORENJE:** Prije upotrebe proizvoda pročitajte upute upozorenja u nastavku.

- Proizvod je opasan ako ga koristite nepravilno ili ako niste oprezni. Nepoštivanje sigurnosnih uputa može uzrokovati ozljede ili smrt.
- Proizvod tijekom rada proizvodi elektromagnetsko polje. To polje u određenim okolnostima može ometati aktivne ili pasivne medicinske implantate. Za smanjenje opasnosti od smrtonosne ozljede osobama s medicinskim implantatima prije korištenja uređaja preporučujemo obraćanje liječniku i proizvođaču medicinskog implantata.
- Uvijek budite pažljivi i razumni. Ako u posebnim situacijama niste sigurni u način upotrebe stroja, prije nastavka stanite i obratite se svom distributeru tvrtke Husqvarna.
- Imajte na umu kako se rukovatelj smatra odgovornim za nezgode koje uključuju druge osobe ili njihovo vlasništvo.

- Proizvod održavajte čistim. Znakovi i naljepnice moraju biti jasno čitljivi.
- Osobama dopustite upotrebu proizvoda samo ako su pročitali i usvojili sadržaj uputa za rukovanje.
- Djeci nemojte dopustiti upotrebu proizvoda.
- Djecu držite podalje od područja rada. Cijelo vrijeme mora biti prisutna odgovorna odrasla osoba.
- Osobama koje nisu upoznate s uputama nemojte dopustiti upotrebu proizvoda.
- Osobu smanjenih fizičkih ili mentalnih sposobnosti obavezno nadzirite tijekom uporabe proizvoda. Cijelo vrijeme mora biti prisutna odgovorna odrasla osoba.
- Proizvod nemojte upotrebljavati kada ste umorni, bolesni ili pod utjecajem alkohola, droge ili lijekova. To negativno utječe na vaš vid, pažnju, koordinaciju i prosudbu.
- Nemojte upotrebljavati proizvod koji je izmijenjen ili neispravan.
- Nemojte izmjenjivati proizvod ili ga upotrebljavati ako postoji mogućnost da je izmijenjen.
- Nemojte mijenjati prilagodbe za kontrolu brzine motora.

### Sigurnost na radnom mjestu



**UPOZORENJE:** Prije korištenja proizvoda pročitajte upozoravajuće upute u nastavku.

- Prije upotrebe proizvoda iz radnog područja uklonite sve predmete poput grana, prutova i kamenja.
- Objekti koji udare u reznu opremu mogu biti izbačeni te uzrokovati ozljede ili oštećenja. Promatrače i životinje držite na sigurnoj udaljenosti od proizvoda.
- Proizvod nikada nemojte upotrebljavati u lošim vremenskim uvjetima kao što su magla, kiša, jak vjetar, intenzivna hladnoća i pri opasnosti od grmljavinskog nevremena. Upotreba proizvoda po lošem vremenu ili na vlažnim ili mokrim lokacijama je zamorna. Pri lošem vremenu mogu nastati opasni uvjeti, primjerice skliske površine.
- Pazite na osobe, predmete i situacije koje mogu onemogućiti siguran rad proizvoda.

- Pazite na prepreke poput korijenja, kamenja, prutova, jama i jaraka. Visoka trava može sakrivati prepreke.
- Košenje trave na nagibima može biti opasno. Proizvod nemojte upotrebljavati na tlu s nagibom većim od 15°.
- Proizvod upotrebljavajte poprečno preko nagiba. Nemojte se kretati prema gore i dolje.
- Oprezno prilazite skrivenim kutovima i predmetima koji onemogućavaju jasan pregled.

## Sigurnost pri radu



**UPOZORENJE:** Prije korištenja proizvoda pročitajte upozoravajuće upute u nastavku.

- Proizvod upotrebljavajte samo za košenje travnjaka. Upotreba za druge zadatke nije dopuštena.
- Upotrebljavajte osobnu zaštitnu opremu. Pogledajte *Oprema za osobnu zaštitu na stranici 149.*
- Provjerite znate li brzo zaustaviti motor u slučaju nužde.
- Nikada nemojte pokretati motor u zatvorenom prostoru ili u blizini zapaljivog materijala. Ispušne pare motora vruće su i mogu sadržavati vruće iskre koje mogu uzrokovati požar.
- Proizvod upotrebljavajte samo ako su nož i svi štitnici pravilno postavljeni. Nepravilno postavljen nož može se otpustiti i uzrokovati osobne ozljede.
- Pazite da nožem ne udarate u predmete poput kamenja ili korijenja. Time možete oštetiti nož i saviti vratilo motora. Savijena osovina uzrokuje snažne vibracije i vrlo visoku opasnost od otpuštanja noža.
- Ako nožem udarite u predmet ili osjetite vibracije, odmah zaustavite proizvod. Odspojite kabel za paljenje od svjeće. Pregledajte je li proizvod oštećen. Popravite oštećenja ili popravak prepustite ovlaštenom serviseru.
- Ručicu kočnice motora nikada trajno nemojte pričvrstiti za ručku kada je motor u pogonu.
- Proizvod postavite na stabilnu, ravnu površinu i pokrenite ga. Noževi ne smiju udarati u tlo ili druge predmete.
- Tijekom rukovanja proizvodom obavezno budite iza njega.
- Tijekom rukovanja proizvodom svi kotači trebaju biti na tlu, a 2 ruke na ručki. Ruke i stopala držite podalje od rotirajućih noževa.
- Proizvod nemojte naginjati kada je motor pokrenut.
- Budite pažljivi pri povlačenju proizvoda unatrag.
- Proizvod nikada nemojte podizati kada je motor pokrenut. Ako proizvod morate podići, prvo zaustavite motor i odspojite kabel za paljenje od svjeće.
- Tijekom rada s proizvodom nemojte hodati unatrag.

- Zaustavite motor prilikom prelaska preko velikih površina bez trave, primjerice šljunčanih, kamenih i asfaltnih staza.
- Nemojte trčati s proizvodom kada je motor pokrenut. Obavezno hodajte tijekom rada s proizvodom.
- Prije promjene visine rezanja zaustavite motor. Nemojte provoditi prilagodbe s pokrenutim motorom.
- Proizvod s pokrenutim motorom ne ispuštajte iz vida. Zaustavite motor i provjerite je li rezna oprema zaustavljena.

## Sigurnosne upute za rad

### Oprema za osobnu zaštitu



**UPOZORENJE:** Prije uporabe proizvoda pročitajte upozoravajuće upute u nastavku.

- Oprema za osobnu zaštitu ne može u potpunosti spriječiti ozljede, no smanjuje stupanj ozljede u slučaju nezgode. Pri odabiru odgovarajuće opreme zatražite pomoć ovlaštenog trgovca.
- Upotrebljavajte zaštitu sluha ako je razina buka veća od 85 dB.
- Nosite čizme otporne na klizanje ili cipele za teške uvjete rada. Nemojte nositi otvorene cipele ili biti bos.
- Nosite teške, duge hlače.
- Prema potrebi nosite zaštitne rukavice, primjerice prilikom pričvršćivanja, pregleda ili čišćenja rezne opreme.

### Sigurnosni uređaji na proizvodu



**UPOZORENJE:** Prije upotrebe proizvoda pročitajte upute upozorenja u nastavku.

- Proizvod nemojte upotrebljavati sa sigurnosnim uređajima koji su oštećeni ili nisu ispravni.
- Redovito pregledavajte sigurnosne uređaje. Ako su sigurnosni uređaji oštećeni ili nisu ispravni, obratite se serviseru tvrtke Husqvarna.
- Sigurnosne uređaje nije dopušteno izmjenjivati.

### Provjera reznog poklopca

Rezni poklopac smanjuje vibriranje proizvoda te opasnost od ozljede nožem.

- Provjerite ima li na pokrovu noža oštećenja, primjerice napuklina.

### Provjera ručke kočnice motora

Kočnom polugom motora zaustavljate motor. Motor se zaustavlja po otpuštanju kočne poluge motora.

- Pokrenite motor i potom otpustite ručku kočnice motora. Ako se motor ne zaustavi za 3 sekunde, podesite kočnicu motora kod servisera tvrtke Husqvarna. (Sl. 16)

### Prigušivač

Prigušivač razinu buke održava na minimumu i ispušne plinove usmjerava dalje od rukovatelja.

Nemojte upotrebljavati proizvod bez prigušivača ili s oštećenim prigušivačem. Oštećen prigušivač povećava razinu buke i opasnost od požara.



**UPOZORENJE:** Prigušivač se tijekom rada, nakon rada te kada motor pogonite u praznom hodu jako zagrije. Budite oprezni u blizini zapaljivih materijal i/ili para kako biste spriječili požar.

### Sigurnost pri rukovanju gorivom



**UPOZORENJE:** Prije upotrebe proizvoda pročitajte upute upozorenja u nastavku.

- Nemojte pokretati proizvod ako u njemu ima goriva ili motornog ulja. Uklonite neželjeno gorivo/ulje i pričekajte na sušenje proizvoda.
- Ako gorivo prolijete po odjeći, odmah se presvucite.
- Gorivu nemojte dopustiti kontakt s tijelom jer može uzrokovati ozljede. Ako dođe do kontakta goriva s tijelom, sapunom i vodom isperite gorivo.
- Nemojte pokretati proizvod ako motor propušta. Redovito pregledavajte ima li na motoru curenja.
- Budite pažljivi s gorivom. Gorivo je zapaljivo, a pare su eksplozivne i mogu uzrokovati ozljede i smrt.
- Nemojte udisati pare goriva, one mogu uzrokovati ozljede. Osigurajte dovoljan protok zraka.
- U blizini goriva ili motora nemojte pušiti.
- U blizini goriva ili motora nemojte stavljati vruće predmete.
- Nemojte ulijevati gorivo kada je motor uključen.
- Prije ulijevanja goriva provjerite je li motor hladan.
- Prije ulijevanja goriva polako otvorite čep spremnika goriva i pažljivo ispuštite tlak.

- Nemojte ulijevati gorivo u motor u zatvorenom prostoru. Nedovoljan protok zraka može uzrokovati ozljede ili smrt zbog gušenja ili trovanja ugljičnim monoksidom.
- Potpuno zategnite čep spremnika goriva. Ako čep spremnika goriva nije zategnut, postoji opasnost od požara.
- Prije pokretanja proizvod odmaknite najmanje 3 m / 10' od mjesta punjenja spremnika.
- Spremnik za gorivo nemojte puniti do kraja. Zagrijavanje uzrokuje širenje goriva. Ostavite mjesta pri vrhu spremnika za gorivo.
- Proizvod s gorivom u spremniku za gorivo nikada nemojte skladištiti u zgradu s izvorima zapaljenja poput bojlera, grijalica ili sušilica odjeće. Prije skladištenja u bilo koji zatvoreni prostor pričekajte da se motor ohladi.

### Sigurnosne upute za održavanje



**UPOZORENJE:** Prije korištenja proizvoda pročitajte upozoravajuće upute u nastavku.

- Ispušni plinovi iz motora sadrže ugljikov monoksid, vrlo opasan otrovni plin bez mirisa. Proizvod nemojte pokretati u zatvorenom ili uskom prostoru.
- Prije održavanja proizvoda zaustavite motor i odspojite kabel za paljenje od svjećice.
- Tijekom održavanja rezne opreme nosite zaštitne rukavice. Nož je vrlo oštar i lako dolazi do posjekotina.
- Dodatna oprema i izmjene proizvoda bez odobrenja proizvođača mogu uzrokovati ozbiljne ozljede ili smrt. Nemojte mijenjati proizvod. Obavezno upotrebljavajte dijelove s odobrenjem proizvođača.
- Ako se održavanje ne provodi ispravno i redovno, povećava se opasnost od ozljede i oštećenja proizvoda.
- Održavanje provodite isključivo prema uputama iz ovog priručnika za vlasnika. Sva druga servisiranje mora provoditi ovlaštenu servisera tvrtke Husqvarna.
- Redovno servisirajte proizvod kod ovlaštenog servisera tvrtke Husqvarna.
- Zamijenite oštećene, istrošene ili polomljene dijelove.

## Sastavljanje

### Sastavljanje ručke

1. Gurnite vijak (A) kroz ručku (B), plastičnu podlošku (C) i potporni nosač ručke (D). (Sl. 17)
2. Potpuno zategnite maticu (E).
3. Gurnite vijak (F) kroz podlošku (G) i potporni nosač ručke.
4. Zategnite kotačić (H) do kraja.

5. Otvore na upravljaču poravnajte s otvorima na donjoj ručki i umetnite vijke, podloške i kotačiće. Kotačiće zategnite do kraja. (Sl. 18)
6. Spojite kabele na ručku uz pomoć držača kabela. (Sl. 19)

**Napomena:** Kabeli ne smiju biti previše zategnuti. Prevelika zategnutost može izazvati

oštećenja kabela ako se ručica preklopi u položaj za transport.

7. Stavite kabele oko kuke na dnu ručke. (Sl. 20)

## Za prilagođavanje visine ručke

1. Otpustite donje vijke. (Sl. 21)
2. Uklonite kotačić, podlošku i vijak s lijeve i s desne strane.
3. Ručku možete postaviti na 2 različite visine. Stavite vijak u jedan od 2 provrta s lijeve i s desne strane. (Sl. 22)
4. Ugradite vijke, podloške i kotačiće.
5. Pomičite kotačiće gore u smjeru ručke dok se ne zaustave uz škljocaj. Kotačiće zategnite do kraja. (Sl. 23)

## Postavljanje kosilice u položaj za prijevoz

1. Uklonite sakupljač trave.
2. Otpustite kotačiće na gornjoj ručici i preklopite je prema dolje. (Sl. 24)
3. Otpustite donje vijke.

4. Pomaknite kotačiće u donji dio utora na lijevoj i desnoj strani proizvoda. (Sl. 25)
5. Preklopite ručku prema naprijed. (Sl. 26)

## Postavljanje proizvoda u položaj za rad

1. Podižite šipku dok se donja ručka ne zaglavi u radni položaj. (Sl. 27)
2. Pomičite kotačiće gore u smjeru ručke dok se ne zaustave uz škljocaj.
3. Kotačiće zategnite do kraja. (Sl. 28)
4. Podignite gornji dio šipke.
5. Kotačiće zategnite do kraja. (Sl. 29)

## Montaža sakupljača trave

1. Gornji dio sakupljača trave stavite na donji dio sakupljača trave. (Sl. 30)
2. Okvir sakupljača trave pričvrstite kopčama. (Sl. 31)
3. Podignite stražnji poklopac.
4. Pričvrstite kuke na hvataču trave za gornji rub šasije. (Sl. 32)
5. Donji dio sakupljača trave umetnite u kanal za izbacivanje trave.

# Rad

## Uvod



**UPOZORENJE:** Prije rada s proizvodom morate pročitati i usvojiti poglavlje o sigurnosti.

## Husqvarna Connect

Husqvarna Connect besplatna je aplikacija za mobilni uređaj. Aplikacija Husqvarna Connect pruža vam dodatne funkcije za proizvod Husqvarna.

- Opširnije informacije o proizvodu.
- Dodatne informacije i pomoć za dijelove i servisiranje proizvoda.

## Početak rada sa Husqvarna Connect

1. Preuzmite aplikaciju Husqvarna Connect na svoj mobilni uređaj.
2. Prijavite se na aplikaciju Husqvarna Connect.
3. Pratite upute u aplikaciji Husqvarna Connect kako biste se spojili i registrirali proizvod.

## Prije rada s proizvodom

1. Pažljivo pročitajte korisnički priručnik i prije upotrebe dobro usvojite sadržaj.
2. Pregledajte reznu opremu i uvjerite se da je pravilno pričvršćena i podešena. Pogledajte *Za pregled rezne opreme na stranici 153*.

3. Napunite spremnik goriva. Pogledajte *Ulijevanje goriva na stranici 151*.
4. Napunite spremnik za ulje i provjerite razinu ulja. Pogledajte *Provjera razine ulja na stranici 154*.

## Ulijevanje goriva

Ako je dostupno, upotrebljavajte benzin s niskim emisijama/alkilatno gorivo. Ako benzin s niskim emisijama/alkilatno gorivo nije dostupno, upotrebljavajte kvalitetno bezolovni benzin ili olovni benzin s najmanjim oktanskim brojem od 91.



**OPREZ:** Nemojte upotrebljavati benzin s oktanskim brojem manjim od 91 RON. Tako možete oštetiti proizvod.



**OPREZ:** Jedanput godišnje ili po potrebi i češće zamijenite filter za gorivo. Novi filter goriva dostupan je kod zastupnika tvrtke Husqvarna.



**OPREZ:** Prije ulijevanja goriva obavezno zaustavite motor.



**OPREZ:** Nemojte upotrebljavati tekućine za pokretanje pod tlakom.

1. Čep spremnika goriva otvarajte polako kako biste otpustili tlak.
2. Punitite polako s pomoću kantice za gorivo. Ako prolijete gorivo, obrišite ga krpom i pričekajte na sušenje preostalog goriva. (Sl. 33)
3. Očistite područje oko čepa spremnika goriva.
4. Potpuno zategnite čep spremnika goriva. Ako čep spremnika goriva nije zategnut, postoji opasnost od požara.
5. Prije pokretanja proizvod odmaknite najmanje 3 m / 10' od mjesta punjenja spremnika.

## Za postavljanje visine rezanja

1. Polugu za visinu rezanja pomaknite unatrag kako biste povećali visinu rezanja.
2. Polugu za visinu rezanja pomaknite naprijed kako biste smanjili visinu rezanja. (Sl. 34)



**OPREZ:** Visinu rezanja nemojte postaviti prenisko. Noževi mogu udariti u tlo ako površina travnjaka nije ravna.

## Pokretanje proizvoda

1. Provjerite je li kabel za paljenje priključen na svjećicu.
2. Stanite iza proizvoda.
3. Pritisnite kočnu polugu motora uz upravljač. (Sl. 35)
4. Ručicu užeta pokretača držite desnom rukom.
5. Polako izvlačite užu pokretača dok ne osjetite otpor.
6. Snažno povucite za pokretanje motora.



**UPOZORENJE:** Nikad ne omotavajte užu za paljenje oko šake.

## Upotreba pogona na kotačima

- Gurnite polugu pogona u smjeru upravljača. (Sl. 36)
- Otpustite polugu pogona kako biste odspojili pogon, primjerice kada se približavate prepreci.
- Prije povlačenja proizvoda unatrag odspojite pogon i gurnite proizvod prema naprijed za pribl. 10 cm.

## Zaustavljanje proizvoda

- Kako biste zaustavili samo pogon, otpustite polugu pogona.
- Za zaustavljanje motora otpustite kočnu polugu motora.

## Za dobar ishod

- Uvijek upotrebljavajte oštar nož. Tup nož daje nepravilne rezultate, a rezana površina trave požuti. Oštar nož također troši manje energije od tupog.
- Nemojte rezati više od 1/4 od duljine trave. Prvo kosite s visoko postavljenom visinom za rezanje. Provjerite rezultat i spustite visinu rezanja na prihvatljivu razinu. Ako je trava vrlo dugačka, vozite polako i po potrebi kosite 2 puta.
- Svaki put kosite u drugom smjeru kako biste spriječili nastanak traka na travnjaku.
- Pokrov noža mora biti čist. Nakupine trave i prljavštine s unutarnje strane pokrova noža mogu umanjiti rezultate rezanja. Pogledajte *Za čišćenje unutarnje površine pokrova noža na stranici 153.*

# Održavanje

## Uvod



**UPOZORENJE:** Prije održavanja morate pročitati i usvojiti poglavlje o sigurnosti.

Za sve radove servisiranja i održavanja na proizvodu potrebna je posebna obuka. Jamčimo dostupnost profesionalnih popravaka i servisa. Ako vaš distributer nije serviser, od njega zatražite informacije o najbližem serviseru.

Detaljnije informacije potražite pod .

## Raspored održavanja



**OPREZ:** Pri naginjanju proizvoda filter zraka nemojte nasloniti na tlo nego ga podignite u zrak. Opasnost od oštećenja motora.

Intervali održavanja izračunati su za dnevnu upotrebu proizvoda. Intervali se mijenjaju ako se proizvod ne upotrebljava svakodnevno.

Za održavanja označena s \* pogledajte upute u *Sigurnosni uređaji na proizvodu na stranici 149.*

Održavanje	Dnevno	Mjesečno	Svake sezone
Provedite opći pregled	X		
Provjerite razinu ulja	X		



Održavanje	Dnevno	Mjesečno	Svake sezone
Zamijenite ulje (prvi put nakon 5 h upotrebe, potom nakon svakih 50 h upotrebe) <sup>71</sup>			X
Očistite proizvod	X		
Pregledajte reznu opremu	X		
Pregledajte pokrov noža *	X		
Pregledajte ručku kočnice motora *	X		
Pregledajte prigušivač *		X	
Pregledajte svjećicu. Ako je potrebno, očistite ili zamijenite svjećicu			X
Pregledajte filter zraka	X		
Očistite filter zraka <sup>72</sup>		X	
Zamijenite filter zraka			X
Pregledajte sustav goriva			X
Očistite rashladna rebra na cilindru		X	
Pregledajte i podesite sajlu spojke (LC 140SP)			X

## Za opći pregled

- Provjerite jesu li sve matice i vijci na proizvodu pravilno pritegnuti.

## Za vanjsko čišćenje proizvoda

- Četkom uklonite lišće, travu i onečišćenja.
- Provjerite prohodnost dovoda zraka na vrhu motora.
- Za čišćenje proizvoda nemojte koristiti visokotlačni stroj za pranje.
- Ako proizvod čistite vodom, nemojte izlijevati vodu izravno na motor.

## Za čišćenje unutarnje površine pokrova noža

1. Ispraznite spremnik za gorivo.
2. Nagnite proizvod. Svjećica mora biti usmjerena prema gore.



**OPREZ:** Ako proizvod položite tako da je filter zraka na donjoj strani, možete oštetiti motor.

3. Unutarnju površinu pokrova noža isperite vodom.

## Za pregled rezne opreme



**UPOZORENJE:** Odvojite kabel za paljenje od svjeće kako biste spriječili slučajno pokretanje.



**UPOZORENJE:** Tijekom održavanja rezne opreme nosite zaštitne rukavice. Nož je vrlo oštar i lako dolazi do posjekotina.

1. Pregledajte ima li na reznoj opremi oštećenja ili pukotina. Oštećenu reznu opremu obavezno zamijenite.
2. Pregledajte nož kako biste ustanovili je li oštećen ili tup.

**Napomena:** Nakon oštrenja nož je nužno uravnotežiti. Nož naoštrite, zamijenite i uravnotežite u servisnom centru. Ako se pri udaru u prepreku proizvod zaustavi, zamijenite oštećeni nož. Procjenu za oštrenje ili zamjenu noža prepustite servisnom centru.

## Zamjena noža

1. Blokajte nož drvenim blokom. (Sl. 37)
2. Uklonite vijak noža i opružnu podlošku.

<sup>71</sup> Ako se proizvod pogoni pod velikim opterećenjem ili pri visokim temperaturama okoline, motorno ulje zamijenite svakih 25 sati.

<sup>72</sup> Čistite češće ako ste u prašnjavim uvjetima ili se u zraku nalaze ostaci. Ako je filter zraka vrlo prljav, zamijenite ga.

3. Uklonite nož.
4. Provjerite jesu li nosač noža i vijak noža neoštećeni.
5. Pregledajte vratilo motora kako biste se uvjerali da je neoštećeno.
6. Zaobljene rubove novog noža pri postavljanju usmjerite prema pokrovu noža. (Sl. 38)
7. Nož mora biti poravnat sa središtem vratila motora.
8. Blokirate nož drvenim blokom. Postavite elastični rasječeni prsten i zategnite vijak i podlošku na zatezni moment od 45–60 Nm. (Sl. 39)
9. Ručno povucite nož u krug kako biste provjerili okreće li se slobodno.



**UPOZORENJE:** Nosite rukavice za teške uvjete rada. Nož je vrlo oštar i lako dolazi do posjekotina.

10. Pokrenite proizvod kako biste ispitali nož. Ako nož nije ispravno pričvršćen, proizvod vibrira ili ishod košenja nije zadovoljavajuć.

## Provjera razinu ulja



**OPREZ:** Preniska razina ulja može uzrokovati oštećenje motora. Prije pokretanja proizvoda provjerite razinu ulja.

1. Postavite proizvod na ravno tlo.
2. Uklonite čep spremnika ulja s pričvršćenom šipkom za mjerenje razine ulja.
3. Očistite ulje sa šipke za mjerenje razine ulja.
4. Šipku za mjerenje ulja u potpunosti gurnite u spremnik za ulje kako biste dobili ispravan prikaz razine ulja. Nemojte pričvrstiti poklopac spremnika ulja.
5. Uklonite čep spremnika ulja s pričvršćenom šipkom za mjerenje razine ulja.
6. Provjerite razinu ulja na šipci za mjerenje ulja.
7. Ako je razina ulja niska, napunite motornim uljem i ponovno provjerite razinu ulja. (Sl. 40)

**Napomena:** Upotrijebite lijevak za ulje kako biste spriječili prosipanje.

8. Kada je razina ulja ispravna, postavite čep spremnika ulja.

## Zamjena motornog ulja



**UPOZORENJE:** Motorno ulje vrlo je vruće neposredno nakon zaustavljanja motora. Prije ispuštanja motornog ulja pričekajte da se ohladi. Ako motorno ulje prolijete po koži, očistite sapunom i vodom.

(Sl. 41)

1. Proizvod upotrebljavajte dok ne ispraznite spremnik goriva.
2. Odvojite kabel za paljenje od svjeće.
3. Uklonite čep spremnika ulja s pričvršćenom šipkom za mjerenje razine ulja.
4. Ispod proizvoda stavite posudu za skupljanje motornog ulja.
5. Nagnite proizvod ili ispraznite motorno ulje iz spremnika ulja pumpom za ulje (dodatna oprema).
6. Napunite novim motornim uljem preporučenim u *Tehnički podaci na stranici 157*.
7. Provjerite razinu ulja. Pogledajte *Provjera razinu ulja na stranici 154*.
8. Kada je razina ulja ispravna, postavite čep spremnika ulja.

## Čišćenje pjenastog plastičnog filtra



**OPREZ:** Nemojte pokretati motor bez filtra zraka. Trošenje motora se povećava ako je zrak onečišćen.

1. Skinite poklopac filtra zraka (A). (Sl. 42)
2. Skinite pjenaste plastične filtre (B).



**OPREZ:** Provjerite jesu li pjenasti plastični filtri oštećeni ili istrošeni. Zamijenite sve oštećene pjenaste plastične filtre.

3. Pjenaste plastične filtre očistite sapunom i vodom.
4. Isperite pjenaste plastične filtre čistom vodom.
5. Istisnite vodu iz pjenastih plastičnih filtra i pustite ih da se osuše.



**OPREZ:** Nemojte upotrebljavati stlačeni zrak. Njime možete oštetiti pjenasti plastični filter.

6. Podmažite pjenaste plastične filtre motornim uljem.
7. Pjenasti plastični filter pritisnite čistom krpom kako biste uklonili višak ulja.
8. Postavite pjenaste plastične filtre. Provjerite brtve li pjenasti plastični filtri u potpunosti uz držač filtra zraka.
9. Ugradite poklopac filtra zraka.

## Provjera svjeće



**OPREZ:** Uvijek koristite preporučenu vrstu svjeće. Neodgovarajuća vrsta svjeće može oštetiti proizvod.

- Ako motor nema snage, teško se pokreće ili ne radi ispravno u praznom hodu, pregledajte svječicu.

- Za smanjenje opasnosti od nepoželjnog materijala na elektrodama svječiće pratite sljedeće upute:
  - a) Provjerite je li broj okretaja pri praznom hodu pravilno podešen.
  - b) Provjerite ispravnost mješavine goriva.
  - c) Provjerite je li filter zraka čist.
- Ako je svjećica prljava, očistite je i provjerite ispravnost zazora elektroda, pogledajte. *Tehnički podaci na stranici 157.* (Sl. 43)
- Ako je potrebno, zamijenite svjećicu.

## Pregled sustav goriva

- Pregledajte čep spremnika za gorivo i brtvu čepa spremnika za gorivo i uvjerite se kako su neoštećeni.
- Pregledajte crijevo goriva kako biste se uvjerali da nema propuštanja. Ako je crijevo goriva oštećeno, zamijenite ga kod servisera.

## Za pražnjenje spremnika goriva

1. Postavite posudu ispod spremnika goriva.
2. Uklonite čep spremnika goriva.
3. Pritisnite kopče za crijeva na crijevu za dovod goriva uz rasplinjač.
4. Uklonite crijevo za dovod goriva iz rasplinjača.
5. Postavite crijevo za dovod goriva u spremnik i skinite kopče za crijeva.
6. Nagnite proizvod i ispuštite gorivo u spremnik.

## Zamjena filtra za gorivo



**UPOZORENJE:** Nosite zaštitne rukavice.

1. Ispraznite spremnik goriva.
2. Pomaknite kopče za crijeva dalje od spremnika goriva. (Sl. 44)
3. Uklonite crijevo za dovod goriva iz spremnika goriva. Moguće je istjecanje manje količine goriva. (Sl. 45)
4. Uklonite filter za gorivo iz spremnika goriva. (Sl. 46)
5. Instalirajte novi filter za gorivo u spremniku goriva.
6. Pričvrstite crijevo za dovod goriva na spremnik goriva.
7. Postavite kopču za crijeva u položaj uz spremnik goriva.

## Podešavanje sajle spojke (LC 140SP)

U sljedećim situacijama nužno je smanjiti duljinu sajle spojke:

- Pogon kotača ne uključuje se kada povučete polugu pogona ili ručicu za regulaciju brzine.
- Proizvod se po uključanju pogona kotača kreće sporo.

U sljedećim situacijama nužno je povećati duljinu sajle spojke:

- Proizvod se kreće kada pogon kotača nije uključen.
- Podesite sajlu spojke.
  - a) Za smanjenje duljine sajle spojke vijak za podešavanje okrećite u smjeru suprotnom od kazaljke na satu.
  - b) Za povećanje duljine sajle spojke vijak za podešavanje okrećite u smjeru kazaljke na satu. (Sl. 47)

Ako nakon podešavanja i dalje niste zadovoljni pogonom proizvoda, obratite se servisnom distributeru

## Rješavanje problema na motoru

Problem	Mogući uzrok	Rješenje
Motor se ne pokreće.	Kabel paljenja nije pravilno priključen.	Priključite kabel paljenja na svjećicu.
	Spremnik za gorivo je prazan.	Napunite spremnik za gorivo odgovarajućom vrstom goriva.
	Gorivo je staro.	Ispraznite spremnik za gorivo i rasplinjač. Napunite ga novim gorivom.
	Prijavština u rasplinjaču ili dovodu goriva.	Očistite rasplinjač i/ili dovod goriva.
	Svjećica je oštećena.	Prilagodite razmak elektroda, očistite ili zamijenite svjećicu.
	Na svjećici ima goriva.	Očistite svjećicu.
Motor se ne zaustavlja.	Mehanizam za zaustavljanje ne radi ispravno.	Odspojite kabel paljenja od svjećice. Popravak proizvoda prepustite odobrenom serviseru.

Problem	Mogući uzrok	Rješenje
Motor ne radi neometano.	Kabel paljenja nije pravilno priključen.	Priključite kabel paljenja na svjećicu.
	Dovod goriva je onečišćen ili je gorivu istekao rok.	Očistite dovod goriva. Napunite spremnik goriva novim gorivom odgovarajuće vrste.
	Čep spremnika za gorivo je blokiran.	Očistite čep spremnika za gorivo.
	U sustavu goriva je voda ili je onečišćen.	Ispraznite spremnik goriva. Napunite spremnik goriva novim gorivom odgovarajuće vrste.
	Filtar zraka je prljav.	Očistite filtarski element.
	Morate podesiti rasplinjač.	Podešavanje rasplinjača prepustite serviseru.
Motor se previše zagrijava.	Razina ulja u motoru je preniska.	Nadolijte motorno ulje.
	Protok zraka nije dovoljan.	Očistite filtarski element i kućište filtra zraka.
	Morate podesiti rasplinjač.	Podešavanje rasplinjača prepustite serviseru.
Kada motor radi visokom brzinom, dolazi do zatajenja paljenja u motoru.	Razmak elektroda na svjećici je prevelik.	Prilagodite razmak elektroda.
Motor tijekom uobičajenog rada proizvodi neobične zvukove.	Neispravna vrsta goriva.	Ispraznite spremnik za gorivo i rasplinjač. Napunite ga novim gorivom. Pogledajte <i>Ulijevanje goriva na stranici 151</i> . Ako se problem nastavi pojavljivati, obratite se lokalnom servisnom zastupniku.
Motor ne radi neometano u praznom hodu.	Svjećica je onečišćena, neispravna ili je prevelik razmak između elektroda.	Prilagodite razmak elektroda ili zamijenite svjećicu.
	Morate podesiti rasplinjač.	Podesite rasplinjač.
	Filtar zraka je prljav.	Očistite filtarski element.

---

## Prijevoz, spremanje i zbrinjavanje

---

### Prijevoz i skladištenje

- Za prijevoz i skladištenje proizvoda i goriva uvjerite se kako nema propuštanja ili isparavanja. Iskre ili otvoren plamen, primjerice od električnih uređaja ili bojlera, mogu uzrokovati požar.
- Za prijevoz i skladištenje goriva obavezno upotrebljavajte odobrene spremnike.
- Prije dugotrajnog skladištenja proizvoda ispraznite spremnik za gorivo. Zbrinite gorivo na prikladnoj lokaciji za zbrinjavanje.
- Čvrsto osigurajte proizvod za prijevoz kako biste spriječili oštećenja i nezgode.
- Proizvod čuvajte u zaključanom prostoru kako biste onemogućili pristup djeci ili osobama bez odobrenja.

- Proizvod skladištite u suhom prostoru bez mraza.

### Odlaganje

- Poštujte lokalne zahtjeve za reciklažu i važeće propise.
- Sve kemikalije, poput motornog ulja ili goriva, zbrinite u servisnom centru ili na prikladnoj lokaciji za zbrinjavanje.
- Ako proizvod više ne upotrebljavate, pošaljite ga distributeru tvrtke Husqvarna ili ga zbrinite na lokaciji za reciklažu.

## Tehnički podaci

### Tehnički podaci

	LC 140P	LC 140SP
<b>Motor</b>		
Marka	Husqvarna	Husqvarna
Naziv modela motora	HS 123A	HS 123A
Vrsta motora	Jednociлиндриčni, četverotaktni, prisilno atmosfersko hlađenje, OHV	Jednociлиндrični, četverotaktni, prisilno atmosfersko hlađenje, OHV
Zapremnina, cm <sup>3</sup>	123	123
Brzina, o/min	3000	3000
Nazivna izlazna snaga motora, kW <sup>73</sup>	1,95	1,95
<b>Sustav paljenja</b>		
Svjećica	Husqvarna HQT-7	Husqvarna HQT-7
Razmak elektroda, mm	0,7 – 0,8	0,7 – 0,8
<b>Sustav za gorivo i podmazivanje</b>		
Vrsta podmazivanja motora	Raspršivanje	Raspršivanje
Zapremnina spremnika za gorivo, litre	0,9	0,9
Zapremnina spremnika ulja, litre	0,5	0,5
Motorno ulje <sup>74</sup>	Husqvarna SAE 30, Husqvarna SAE 5W-30 sintetičko, Husqvarna SAE 10W-40	Husqvarna SAE 30, Husqvarna SAE 5W-30 sintetičko, Husqvarna SAE 10W-40
<b>Težina</b>		
S praznim spremnicima, kg	25,2	26,8
<b>Emisije buke<sup>75</sup></b>		
Razina jačine zvuka, izmjerena, dB(A)	93	93
Razina jačine zvuka, zajamčena, L <sub>WA</sub> dB (A)	94	94

<sup>73</sup> Navedena nazivna snaga motora prosječna je neto izlazna snaga (pri navedenom broju okretaja u minuti) tipičnog serijskog motora za određeni model mjerena prema normi SAE J1349/ISO1585. Vrijednost se može razlikovati za motore za masovnu proizvodnju. Stvarna izlazna snaga motora ugrađenog u krajnji proizvod ovisi o radnoj brzini, uvjetima u okolišu i drugim vrijednostima.

<sup>74</sup> Upotrebljavajte motorno ulje kvalitete API SJ ili više. Ako se ulje SAE-30 primjenjuje na temperaturama nižim od 5 °C, postoji opasnost od nedovoljnog podmazivanja motora. To može uzrokovati oštećenje motora. Odgovarajuće ulje za niske temperature potražite u *Zamjena motornog ulja na stranici 154*. Pogledajte tablice viskoznosti u korisničkom priručniku motora (ako je priložen) i odaberite najbolju viskoznost s obzirom na očekivanu vanjsku temperaturu.

<sup>75</sup> Emisije buke u okoliš izmjerene kao jačina zvuka (L<sub>WA</sub>) u skladu s Direktivom EZ 2000/14/EC.

	LC 140P	LC 140SP
<b>Jačina zvuka</b> <sup>76</sup>		
Razina tlaka zvuka na uhu rukovatelja, dB (A)	82	82
<b>Razine vibracije</b> <sup>77</sup>		
Vibracije na upravljaču, m/s <sup>2</sup>	5,6	7,6
<b>Rezna oprema</b>		
Visina rezanja, mm	25 – 75	25 – 75
Širina rezanja, mm	400	400
Rezni sustav	Sakupljač / stražnje pražnjenje	Sakupljač / stražnje pražnjenje
Noževi – standardni	Sakupljač 5873863-10	Sakupljač 5873863-10
Zapremnina sakupljača trave, litre	50	50
<b>Pogon</b>		
Brzina samostalnog hoda, km/h	–	4

<sup>76</sup> Navedeni podaci za razinu pritiska zvuka uključuju tipično statističko raspršenje (standardno odstupanje) od 1,2 dB (A).

<sup>77</sup> Podaci o razini vibracije pokazuju tipičnu statističku disperziju (standardnu devijaciju) od 0,2 m/s<sup>2</sup>.

# Izjava o sukladnosti

## EU izjava o sukladnosti

Mi, **Husqvarna AB**, SE-561 82 Huskvarna, Švedska, tel.:  
+46-36-146500, pod punom odgovornošću izjavljujemo  
da proizvod:

<b>Opis</b>	Kosilica
<b>Marka</b>	Husqvarna
<b>Vrsta/model</b>	LC 140P, LC 140SP
<b>Identifikacija</b>	Serijski brojevi iz 2022 i noviji

u potpunosti su sukladni sljedećim EU direktivama i  
propisima:

<b>Propis</b>	<b>Opis</b>
2006/42/EC	„o strojevima“
2014/30/EU	„o elektromagnetskoj kompatibilnosti“
2000/14/EC	„koja se odnosi na emisije buke u okoliš“
2011/65/EU	„o ograničenoj upotrebi određenih opasnih tvari u električnoj i elektroničkoj opremi“

i primjenjuju se sljedeće norme i/ili tehničke  
specifikacije: EN ISO 5395-1:2013/A1:2018, EN ISO  
5395-2:2013/A1:2016/A2:2017, EN ISO 14982:2009, EN  
IEC 63000:2018

Prijavljeno tijelo: 0404, RISE SMP Svensk  
Maskinprovning AB, Box 4053, SE-904 03 Umeå,  
Sweden, certificiralo je sukladnost s Direktivom Vijeća  
2000/14/EC, postupak kontrole kvalitete: Dodatak VI.

Informacije o emisiji buke potražite u odjeljku *Tehnički  
podaci na stranici 157.*

Huskvarna, 2022-09-27



Claes Losdal, razvojni menadžer / proizvodi za vrtove,  
Husqvarna AB

Osoba odgovorna za tehničku dokumentaciju



---

# TARTALOMJEGYZÉK

---

Bevezető.....	160	Motorral kapcsolatos hibaelhárítás.....	169
Biztonság.....	161	Szállítás, tárolás és ártalmatlanítás.....	170
Összeszerelés.....	164	Műszaki adatok.....	171
Üzemeltetés.....	164	Megfelelőségi nyilatkozat.....	173
Karbantartás.....	166		

---

## Bevezető

---

### Termékleírás

A termék egy gyalog kísért forgóképes fűnyíró. A fű egy fűgyűjtőben kerül gyűjtésre. Vegye ki a fűgyűjtőt a fű hátsó ürítéséhez.

### A termék áttekintése

(ábra 1)

1. Fogantyú
2. Kerékhajtás kapcsoló kar (LC 140SP)
3. Berántókötél fogantyú
4. Fűgyűjtő
5. Üzemanyagtartály
6. Légszűrő
7. Gyújtógyertya
8. Vágóburkolat
9. Kipufogódob
10. Olajtartály sapkája
11. Vágási magasságot szabályozó kar
12. Hátsó burkolat
13. Fékkar
14. Szimbólumok
15. Alsó fogantyú szerelvénye
16. Alsó fogantyú
17. Kezelői kézikönyv
18. Olajtölcsér

### A terméken található jelzések

- (ábra 2) **FIGYELMEZTETÉS!** Körültekintően járjon el, és megfelelően használja a terméket. A gép a kezelő és mások súlyos sérülését és halálát is okozhatja.
- (ábra 3) Olvassa el figyelmesen a használati utasítást, és győződjön meg róla, hogy megértette azt, mielőtt a terméket használatba veszi.
- (ábra 4) Legyen óvatos a kivetett és visszapattanó tárgyakkal.

### Rendeltetésszerű használat

A termék fűnyírásra szolgál. Ne használja a terméket egyéb feladatokra.

- (ábra 5) A személyeket és állatokat tartsa biztonságos távolságban a munkaterülettől.
- (ábra 6) Figyelmeztetés: Tartsa távol kezét és lábát a forgó késektől.
- (ábra 7) Figyelmeztetés: Tartsa távol kezét és lábát a forgó alkatrészekről.
- (ábra 8) Javítás vagy karbantartás előtt állítsa le a motort, és vegye le a gyújtáskábelét.
- (ábra 9) Ez a termék megfelel a vonatkozó EK irányelveknek.
- (ábra 10) Az EU és az Egyesült Királyság irányelveinek és jogszabályainak, és New South Wales „Környezetben történő munkavégzés szabályozása (zajszabályozás), 2017” irányelvének megfelelő környezeti zajkibocsátási címke. A termék garantált hangteljesítményszintjére vonatkozó adatok megtalálhatók a *Műszaki adatok 171. oldalon* című fejezetben és a címkén.
- (ábra 11) A termék megfelel a vonatkozó egyesült királyságbeli irányelveknek.
- (ábra 12) Tűzveszély.
- (ábra 13) Ne lélegezze be a kipufogógázokat. A motorból származó kipufogógázok szén-monoxidot tartalmaznak, amely szagtalan, mérgező, rendkívül veszélyes gáz. Ne indítsa be a motort beltérben vagy zárt helyen.



(ábra 14) Forró felület.

(ábra 15) Töltse fel a motort olajjal a termék beindítása előtt.

**Megjegyzés:** A terméken szereplő többi jelölés/címke néhány piac specifikus vizsgáztatási követelményeire vonatkozik.

## Euro V. kibocsátási norma



**FIGYELMEZTETÉS:** A motor módosítása érvényteleníti a termékre vonatkozó európai uniós típusjóvá hagyást.

## Biztonság

### Biztonsági meghatározások

A figyelmeztetések, óvintézkedések és megjegyzések a használati utasítás kiemelten fontos részeire hívják fel a figyelmet.



**FIGYELMEZTETÉS:** Akkor használatos, ha a kézikönyv utasításainak be nem tartása esetén fennáll a kezelő vagy a közelben tartózkodók sérülésének vagy halálának veszélye.



**VIGYÁZAT:** Akkor használatos, ha a kézikönyv utasításainak be nem tartása esetén fennáll a vagyoni kár, illetve a termék vagy a környező terület károsodásának veszélye.

**Megjegyzés:** További információt biztosít az adott helyzetben szükséges tennivalókról.

### Általános biztonsági utasítások



**FIGYELMEZTETÉS:** A termék használata előtt olvassa el az alábbi figyelmeztetéseket.

- Ez a termék veszélyes, ha helytelenül használja, vagy ha nem vigyáz. A biztonsági utasítások be nem tartása sérüléssel vagy halállal járhat.
- A termék működés közben elektromágneses mezőt hoz létre. Ez bizonyos körülmények esetén hatással lehet az aktív vagy passzív orvosi implantátumokra. A súlyos vagy halálos sérülés kockázatának csökkentése érdekében azt javasoljuk, hogy az orvosi implantátumot használó személyek a termék alkalmazása előtt kérjék ki orvosuk vagy az orvosi implantátum gyártójának tanácsát.

### A termék károsodása

A termékben keletkezett károkért nem vállalunk felelősséget, amennyiben:

- a termék javítását helytelenül végezték;
- a termék javítása nem a gyártótól származó vagy általa jóváhagyott alkatrészekkel történt;
- a terméket nem a gyártótól származó vagy általa jóváhagyott kiegészítővel szerelték fel;
- a termék javítását nem hivatalos szakszerviz vagy jóváhagyott egyéb szerviz végezte.

- Mindig megfontoltan és előrelátóan cselekedjen. Ha nem biztos benne, hogyan kell a terméket speciális helyzetben üzemeltetni, akkor hagyja abba a tevékenységet, és beszéljen a Husqvarna kereskedőjével a folytatás előtt.
- Ne feledje, hogy a kezelő felelős a másokat és a mások tulajdonát érő balesetekért is.
- Tartsa tisztán a terméket. Ügyeljen arra, hogy a jelek és címkek jól olvashatóak legyenek.
- Ne engedje, hogy használják a terméket, amíg nem gondoskodott róla, hogy elolvassák és megértsék a használati utasítás tartalmát.
- A terméket gyermekek nem használhatják.
- Tartsa távol a gyermekeket a munkavégzési területtől. Egy felelős felnőttnek mindig jelen kell lennie.
- Ne használja a terméket olyan személy, aki nem ismeri a kezelési utasítást.
- Csökkent fizikai vagy szellemi képességekkel rendelkező személy csak felügyelet mellett használhatja a terméket. Egy felelős felnőttnek mindig jelen kell lennie.
- Ne használja a terméket, ha fáradt, beteg, illetve alkohol, drog vagy gyógyszer hatása alatt áll. Ez negatív hatással van a látására, az éberségére, a koordinációjára és az ítélőképességére.
- Ne használja a sérült vagy nem megfelelően működő terméket.
- Ne változtassa meg a terméket, vagy ne használja, ha feltehetőleg valaki más változtatásokat hajtott végre rajta.
- Ne módosítson a motorfordulatszám-szabályozás beállításán.

### A munkaterület biztonsága



**FIGYELMEZTETÉS:** A termék használata előtt olvassa el az alábbi figyelmeztetéseket.

- A termék használata előtt távolítsa el a különböző tárgyakat, például ágakat, gallyakat és köveket a munkaterületről.
- A vágószerszereknek ütköző tárgyak elrepülve személyek vagy tárgyak sérülését okozhatják. A közelben állókat és az állatokat tartsa biztonságos távolságban a terméktől.
- Ne használja a terméket rossz időben, például ködben, esőben, erős szélben, nagy hidegben, villámás veszélyes esetén. A termék rossz időjárási körülmények között vagy nyirkos, nedves helyeken történő használata fárasztó. A rossz időjárás veszélyes körülményeket, például csúszós felületeket okozhat.
- Ügyeljen az olyan személyekre, tárgyra és helyzetekre, amelyek akadályozzák a termék biztonságos üzemeltetését.
- Ügyeljen az olyan akadályokra, mint a gyökerek, kövek, gallyak, gödrök és árkok. A magas fű akadályokat rejtethet.
- A lejtőkön levő fű nyírása veszélyes lehet. Ne használja a terméket 15 foknál meredekebb lejtőn.
- Az emelkedőknél/lejtőkönél mindig oldalirányban működtesse a terméket. Ne haladjon felfelé vagy lefelé.
- Legyen körültekintő, ha olyan sarkok és tárgyak közelébe ér, amelyek gátolják a tiszta kilátást.

## Munkabiztonság



**FIGYELMEZTETÉS:** A termék használata előtt olvassa el az alábbi figyelmeztetéseket.

- Ezt a terméket kizárólag füves pázsitok nyírására használja. A termék más feladatokra történő használata nem megengedett.
- Használjon személyi védőfelszerelést. Lásd: *Személyi védőfelszerelés 162. oldalon.*
- Mindenképpen legyen tisztában azzal, hogy vészhelyzet esetén hogyan kell gyorsan leállítani a motort.
- Soha ne indítsa el a motort zárt térben vagy gyúlékony anyag közelében. A motorból kijutó kipufogó füstök forrók és szikrákat tartalmazhatnak, amelyek tüzet okozhatnak.
- Ne használja a készüléket, hacsak a kés és az összes borítás nincs megfelelően rögzítve. A nem megfelelően rögzített kés kilazulhat, és személyi sérülést okozhat.
- Ügyeljen arra, hogy a kés ne ütközzön olyan tárgyakba, mint például kövek és gyökerek. Ez kárt tehet a késben, és meghajlíthatja a motor tengelyét. A meghajlott tengely erős rezgést okoz, és így nagyon nagy a kockázata annak, hogy a kés meglazul.
- Ha a kés valamilyen tárgynak ütközik vagy rezegni kezd, azonnal állítsa le a terméket. Húzza ki a gyújtáskabelt a gyújtógyertyából. Ellenőrizze,

hogy a termék sérülésmentes-e. Javítsa meg a sérüléseket, vagy végeztesse el a szakszervizzel a javításokat.

- Amikor a motor működésben van, soha ne rögzítse tartósan a fékkart a fogantyúhoz.
- Helyezze a terméket stabil, vízszintes felületre, és kapcsolja be. Gondoskodjon arról, hogy a kés ne ütközzön se a talajba, se egyéb tárgyakba.
- Mindig maradjon a termék mögött, amikor működteti.
- A termék üzemeltetése során minden kerék legyen a talajon, és tartsa két kézzel a fogantyút. Tartsa távol kezét és lábát a forgó késektől.
- Ne döntse meg a terméket, ha a motor jár.
- Legyen óvatos, amikor hátrafelé húzza a terméket.
- Soha ne emelje fel a terméket, ha a motor jár. Ha fel kell emelnie a terméket, előbb kapcsolja ki a motort, és válassza le a gyújtásvezetékét a gyújtógyertyáról.
- Ne sétáljon hátrafelé a termék működtetése során.
- Állítsa le a motort, ha olyan területeken halad át, ahol nincs fű, például kavicsos, kövezett és aszfaltozott járdák.
- Ne fusson a termékkel, ha a motor jár. Mindig sétáljon a termék működtetése során.
- Mielőtt megváltoztatná a vágási magasságot, állítsa le a motort. Soha ne végezzen beállításokat, amikor a motor jár.
- Soha ne hagyja a terméket felügyelet nélkül járó motor esetén. Állítsa le a motort és győződjön meg arról, hogy a vágószerszék nem forog.

## Biztonsági utasítások az üzemeltetéshez

### Személyi védőfelszerelés



**FIGYELMEZTETÉS:** A termék használata előtt olvassa el az alábbi figyelmeztetéseket.

- A személyi védőfelszerelés nem küszöböli ki teljes mértékben a sérülés kockázatát, de csökkenti a sérülés mértékét, ha bekövetkezik a baleset. A megfelelő felszerelés kiválasztásában kérje a kereskedő segítségét.
- 85 dB-nél magasabb zajszint esetén használjon hallásvédőt.
- Használjon nagy teherbírású, csúszásmentes bakancsot vagy cipőt. Ne használja nyitott cipőben vagy meztőláb a terméket.
- Viseljen vastag, hosszú szárú nadrágot.
- Viseljen védőkesztyűt, például a vágószerszék felhelyezésekor, ellenőrzésekor vagy tisztításakor.

### Biztonsági eszközök a terméken



**FIGYELMEZTETÉS:** A termék használata előtt olvassa el az alábbi figyelmeztetéseket.

- Ne használja a terméket sérült vagy nem megfelelően működő biztonsági eszközökkel.
- Rendszeresen ellenőrizze a biztonsági eszközöket. Ha a biztonsági eszközök sérültek vagy nem működnek megfelelően, forduljon a márkaszervizhez: Husqvarna.
- Ne módosítsd a biztonsági eszközöket.

### A vágóburkolat ellenőrzése

A vágóburkolat csökkenti a termék rezgését és a kés okozta sérülések kockázatát.

- Vizsgálja meg a vágóburkolatot, hogy nincs rajta sérülés, például repedés.

### A fékkar ellenőrzése

A fékkar a motor leállítására szolgál. Ha elengedi a fékkart, a motor leáll.

- Indítsa be a motort, majd engedje el a fékkart. Ha a motor 3 másodpercen belül nem áll le, állíttassa be egy hivatalos Husqvarna szakszervizben a motorféket. (ábra 16)

### Kipufogódob

A kipufogódob minimálisra csökkenti a zajszintet, és elvezeti a kipufogógázokat a kezelő közeléből.

Hiányzó vagy hibás hangfogó esetén ne használja a terméket. A hibás kipufogódob növeli a zajszintet és a tűzveszélyt.



### FIGYELMEZTETÉS:

A kipufogódob erősen felhevül használat közben és után, illetve, amikor a motor alapjáraton működik. Legyen óvatos gyúlékony anyagok és/vagy gőzök közelében a tűzveszély elkerülése érdekében.

- Bánjon óvatosan az üzemanyaggal. Az üzemanyag gyúlékony, a gőzei robbanásveszélyesek, ezért súlyos, akár végzetes sérülést is okozhat.
- Ne lélegezze be az üzemanyag gőzeit, egészségkárosodást okozhatnak. Gondoskodjon megfelelő légáramlásról.
- Ne dohányozzon az üzemanyag és a motor közelében.
- Az üzemanyag vagy a motor közelébe ne tegyen forró tárgyakat.
- Ne tankoljon járó motornál.
- Várja meg a tankolással, amíg lehül a motor.
- Tankolás előtt nyissa meg lassan a tanksapkát, engedje ki óvatosan a nyomást.
- Ne beltérben tankoljon. A nem elegendő mértékű légáramlás fulladás vagy szén-monoxid miatt egészségkárosodást, akár halált is okozhat.
- Húzza meg teljesen az üzemanyagtartály sapkáját. Ha az üzemanyagtartály sapkája nincs meghúzva, tűzveszélyt okozhat.
- Beindítás előtt vigye a terméket legalább 3 m távolságra a tankolás helyétől.
- Ne töltsen teljesen tele az üzemanyagtartályt. Hő hatására az üzemanyag tágul. Hagyjon egy kis helyet az üzemanyagtartály tetejénél.
- Soha ne tárolja a terméket épületen belül feltöltött üzemanyagtartállyal olyan esetben, ha gyújtóforrás, például bojlerok, fűtőegységek vagy ruhaszáritók vannak közelében. Körülrzárt helyen történő tárolás előtt hagyja a motort lehűlni.

### Biztonsági utasítások a karbantartáshoz



**FIGYELMEZTETÉS:** A termék használata előtt olvassa el az alábbi figyelmeztetéseket.

### Üzemanyaggal kapcsolatos biztonság



**FIGYELMEZTETÉS:** A termék használata előtt olvassa el az alábbi figyelmeztetéseket.

- Ne indítsa be a terméket, ha üzemanyag vagy motorolaj kerül rá. Távolítsa el a nem kívánt üzemanyagot/motorolajat és hagyja megszáradni a terméket.
- Ha a kiömlött üzemanyag a ruhájára csöpögtet, öltözzön át azonnal.
- Ügyeljen arra, hogy ne kerüljön üzemanyag a testére, mert az sérülést okozhat. Ha üzemanyag került a testére, távolítsa el szappannal és vízzel.
- Ne indítsa be a motort, ha szivárog a motor. Vizsgálja meg rendszeresen a motort szivárgás szempontjából.
- A motorból származó kipufogógázok szén-monoxidot tartalmaznak, amely szagtalan, mérgező, rendkívül veszélyes gáz. Ne indítsa be a motort beltérben vagy zárt helyen.
- A termék karbantartása előtt állítsa le a motort, és húzza ki a gyújtáskábelt a gyújtógyertyából.
- A vágószerkezet karbantartásakor használjon védőkesztyűt. A kés nagyon éles, könnyen megvághatja magát.
- A gyártó által nem jóváhagyott tartozékok és változtatások súlyos sérülést vagy halált okozhatnak. Ne végezzen módosításokat a terméken. Csak a gyártó által jóváhagyott tartozékokat használjon.
- Ha a karbantartást nem megfelelően és rendszeresen végézték el, a termék sérülésének és károsodásának kockázata.
- Csak a felhasználói kézikönyvben megadott karbantartást végezze el. Minden egyéb szervizelés csak hivatalos Husqvarna szervizműhely végezhet.

- Végeztesse a termék rendszeres szervizelését hivatalos Husqvarna szervizműhellyel.

- A sérült, kopott vagy törött alkatrészt cserélje ki.

---

## Összeszerelés

---

### A fogantyú összeszerelése

1. Nyomja át a csavart (A) a fogantyún (B), a műanyag alátétet (C) és a fogantyú tartókonzolja (D). (ábra 17)
2. Húzza meg teljesen az anyát (E).
3. Nyomja át a csavart (F) az alátétet (G) és a fogantyú tartókonzolja.
4. Húzza meg teljesen a gombot (H).
5. Igazítsa össze a fogantyú nyílásait az alsó fogantyú nyílásaival, majd rögzítse a csavarokat, alátéteket és gombokat. Teljesen húzza meg a gombokat. (ábra 18)
6. A kábeltartók segítségével rögzítse a kábeleket a fogantyúhoz. (ábra 19)

**Megjegyzés:** Győződjön meg róla, hogy a kábelek nem túl feszesek. Ha a kábelek túlságosan feszesek, a fogantyú szállítási helyzetbe történő összehajtásakor megsérülhetnek.

7. Helyezze a kábeleket a fogantyú aljánál lévő horogra. (ábra 20)

### A fogantyúmagasság beállítása

1. Lazítsa meg az alsó csavarokat. (ábra 21)
2. Távolítsa el a bal és jobb oldalon található gombokat, alátéteket és csavarokat.
3. A fogantyú 2 különböző magasságba állítható. Helyezze a csavarokat a 2 lyuk egyikébe a bal és jobb oldalon. (ábra 22)
4. Rögzítse a csavarokat, alátéteket és gombokat.
5. A gombokat ütközésig csúsztassa a fogantyú irányába, amíg egy kattánót hangot nem hall. Teljesen húzza meg a gombokat. (ábra 23)

### A termék szállítási pozícióba állítása

1. Vegye ki a fűgyújtót.
2. Lazítsa meg a gombokat a felső fogantyún, majd hajtsa le a fogantyút. (ábra 24)
3. Lazítsa meg az alsó csavarokat.
4. A gombokat a termék bal és jobb oldalán is csúsztassa a hornyok alsó végébe. (ábra 25)
5. Hajtsa előre a fogantyút. (ábra 26)

### A termék működési pozícióba állítása

1. Emelje fel a fogantyút, amíg az alsó fogantyú működési helyzetben nem rögzül. (ábra 27)
2. A gombokat ütközésig csúsztassa a fogantyú irányába, amíg egy kattánót hangot nem hall.
3. Teljesen húzza meg a gombokat. (ábra 28)
4. Emelje fel a fogantyú felső részét.
5. Teljesen húzza meg a gombokat. (ábra 29)

### A fűgyújtó doboz felszerelése

1. Csatlakoztassa a fűgyújtó felső részét a fűgyújtó alsó részéhez. (ábra 30)
2. Rögzítse a fűgyújtó keretet a kapcsokkal. (ábra 31)
3. Emelje fel a hátsó burkolatot.
4. Csatlakoztassa a fűgyújtón levő kampókat a vázszekevény felső széléhez. (ábra 32)
5. Helyezze a fűgyújtó alsó részét a fűkidobó csatornába.

---

## Üzemeltetés

---

### Bevezető



**FIGYELMEZTETÉS:** A termék működtetése előtt el kell olvasnia és meg kell értenie a biztonságról szóló fejezetet.

### Husqvarna Connect

A Husqvarna Connect egy ingyenes mobilalkalmazás. A Husqvarna Connect alkalmazás kibővített funkciókat biztosít Husqvarna termékéhez:

- Bővebb termékinformációk.

- Információk és segítség a termékalkatrészekkel és a szervizeléssel kapcsolatban.

### A Husqvarna Connect használatának megkezdése

1. Töltse le a Husqvarna Connect alkalmazást mobilkészletére.
2. Regisztráljon egy fiókot a Husqvarna Connect alkalmazásban.
3. A termék csatlakoztatásához és regisztrálásához kövesse a Husqvarna Connect alkalmazásban megjelenő utasításokat.

## A termék működtetése előtt

1. Olvassa el figyelmesen a használati utasítást, és győződjön meg róla, hogy megértette azt.
2. Vizsgálja meg a vágószerkezetet, hogy megbizonyosodjon róla, hogy megfelelően van rögzítve és beállítva. Lásd *A vágószerkezet ellenőrzése 167. oldalon.*
3. Töltse fel az üzemanyagtartályt. Lásd *Tankolás 165. oldalon.*
4. Töltse fel az olajtartályt, és ellenőrizze az olajsintet. Lásd *Az olajsint ellenőrzése 167. oldalon.*

## Tankolás

Ha rendelkezésre áll, használjon környezetbarát besorolású/alkilat benzint. Ha környezetbarát besorolású/alkilat benzint nem áll rendelkezésre, használjon jó minőségű, legalább 91-es oktánszámú ólommentes vagy ólomtartalmú benzint.



**VIGYÁZAT:** Ne használjon 91 oktánszámúnál gyengébb benzint. Ezzel kárt tehet a termékben.



**VIGYÁZAT:** Évente vagy szükség esetén ennél gyakrabban cserélje ki az üzemagnagszűrőt. Új üzemagnagszűrőt Husqvarna márkakereskedőjénél szerezhet be.



**VIGYÁZAT:** Az üzemanyag betöltésekor mindig állítsa le a motort.



**VIGYÁZAT:** Ne használjon nyomás alatt álló indítófolyadékot.

1. Lassan nyissa ki az üzemanyagtartály sapkáját, hogy kiengedje a nyomást.
2. Töltsön fel lassan a tartályt az üzemanyagkannával. Ha kiömlött az üzemanyag, törölje le egy kendővel, és hagyja, hogy a megmaradt üzemanyag felszáradjon. (ábra 33)
3. Tartsa tisztán az üzemanyagtartály sapkájának környékét.
4. Húzza meg teljesen az üzemanyagtartály sapkáját. Ha az üzemanyagtartály sapkája nincs meghúzva, tűzveszélyt okozhat.
5. Beindítás előtt vigye a terméket legalább 3 m távolságra a tankolás helyétől.

## A vágási magasság beállítása

1. Mozgassa a vágási magasságot szabályozó kart hátrafelé a vágási magasság növeléséhez.

2. Mozgassa a vágási magasságot szabályozó kart előre felé a vágási magasság csökkentéséhez. (ábra 34)



**VIGYÁZAT:** Ne állítsa túl alacsonyra a vágási magasságot. A kések a talajba ütközhetnek, ha a pázsit felülete nem egyenletes.

## A termék elindítása

1. Győződjön meg róla, hogy a gyújtáskábel csatlakozik a gyújtógyertyához.
2. Maradjon a termék mögött.
3. Húzza a fékkart a fogantyúhoz. (ábra 35)
4. Fogja meg a berántókötél fogantyúját jobb kézzel.
5. Lassan húzza ki a berántókötélet, amíg ellenállást nem érez.
6. Erőteljes mozdulattal rántsa be a motort.



**FIGYELMEZTETÉS:** Ne tekerje a berántókötélet a keze köré.

## A kerekeken levő meghajtó használata

- Nyomja a kerékajátás kapcsoló kart a fogantyú irányába. (ábra 36)
- Engedje el a kerékajátás kapcsoló kart, hogy kikapcsolja a meghajtást, például amikor akadály közelébe ér.
- Mielőtt maga felé húzza a gépet, kapcsolja ki a meghajtást, és tolja előre a gépet kb. 10 cm-re.

## A termék leállítás

- Csak a meghajtás leállításához engedje el a kerékajátás kapcsoló kart.
- A motor leállításához engedje el a fékkart.

## Megfelelő eredmény elérése

- Használjon mindig éles kést. A tompa kés egyenetlen eredményt ad, és a fű vágási felülete megsárgul. Az éles kés egyben kevesebb energiát igényel, mint a tompa kés.
- Ne nyírjon le többet a fű hosszának 1/3-ánál. Először nagy vágási magasságot állítson be, és úgy nyírjon. Vizsgálja meg az eredményt, és csökkentse a vágási magasságot egy megfelelő szintre. Ha nagyon magas a fű, lassan és szükség esetén 2-szer nyírjon.
- Minden alkalommal más irányban haladjon, hogy ne alakuljanak ki sávok a pázsiton.
- Tartsa tisztán a vágóburkolatot. A vágóburkolat belső oldalán lerakódott fű és szennyeződés ronthatja a vágási eredményt. Lásd: *A vágóburkolat belső felületének tisztítása 167. oldalon.*

# Karbantartás

## Bevezetés



**FIGYELMEZTETÉS:** Karbantartás előtt el kell olvasnia és meg kell értenie a biztonságról szóló fejezetet.

A gépen végzett minden szerviz- és javítási munkálat szakképzettséget igényel. Garantáljuk a professzionális javítások és szervizelés lehetőségét. Ha márkakereskedője nem szervizműhely, forduljon hozzájuk a legközelebbi szervizműhellyel kapcsolatban.

Részletesebb információért lásd: .

## Karbantartási terv



**VIGYÁZAT:** A termék megdöntésekor ügyeljen arra, hogy a levegőszűrő a termék felfelé néző oldalán, ne pedig a föld felé néző oldalán legyen. Fennáll a motor károsodásának veszélye.

Karbantartás	Naponta	Havonta	Évszakonként
Végezzen általános ellenőrzés	X		
Ellenőrizze az olajsintet	X		
Cserélje ki az olajat (először 5 óra használat után, majd minden 50 óra használat után) <sup>78</sup>			X
Tisztítsa meg a terméket	X		
Ellenőrizze a vágószerkezetet	X		
Ellenőrizze a vágóburkolatot *	X		
Ellenőrizze a fékkart *	X		
Ellenőrizze a hangfogót *		X	
Ellenőrizze a gyújtógyertyát. Szükség esetén tisztítsa meg vagy cserélje ki a gyújtógyertyát			X
Ellenőrizze a levegőszűrőt	X		
Tisztítsa ki a légszűrőt <sup>79</sup>		X	
Cserélje ki a levegőszűrőt			X
Ellenőrizze az üzemanyagrendszer			X
Tisztítsa meg a hengeren lévő hűtőbordákat		X	

<sup>78</sup> Ha a terméket komoly terhelés vagy magas környezeti hőmérséklet mellett működtetik, cserélje ki a motorolajat 25 óránként.

<sup>79</sup> Végezze el gyakrabban a tisztítást poros környezet vagy a levegőben szálló törmelék jelenléte esetén. Ha a légszűrő erősen szennyezett, akkor cserélje ki.

Karbantartás	Naponta	Havonta	Évszakonként
Ellenőrizze és állítsa be a tengelykapcsoló bowdent (LC 140SP)			X

## Általános ellenőrzés

- Ellenőrizze, hogy az anyák és csavarok megfelelően meg vannak-e szorítva a terméken.

## A termék külső tisztítása

- Kefével távolítsa el a leveleket, a fűvet és az egyéb szennyeződéseket.
- Győződjön meg róla, hogy a motor tetején levő levegőbeömlő nyílás nincs eltömődve.
- Ne használjon nagynyomású mosót a termék tisztításához.
- Ha vízzel tisztítja a terméket, ne irányítsa a vízugarat közvetlenül a motorra.

## A vágóburkolat belső felületének tisztítása

- Ürítse ki a benzintartályt.
- Döntse meg a terméket. Ellenőrizze, hogy a gyújtógyertya felfelé néz-e.



**VIGYÁZAT:** Ha a terméket a légszűrővel lefelé fordítva állítja, a motor károsodhat.

- Mossa le vízzel a vágóburkolat belső felületét.

## A vágószerkezet ellenőrzése



**FIGYELMEZTETÉS:** A termék véletlen elindítását elkerülendő, húzza ki a gyújtáskábelt a gyújtógyertyából.



**FIGYELMEZTETÉS:** A vágószerkezet karbantartásakor használjon védőkesztyűt. A kés nagyon éles, könnyen megvághatja magát.

- Ellenőrizze a vágószerkezetet sérülés, repedés szempontjából. Mindig cserélje ki a sérült vágószerkezetet.
- Nézze meg a kést, hogy sérült-e vagy tompa-e.

**Megjegyzés:** A kés élezését követően ki kell egyensúlyozni. Végeztesse a kés élezését, cseréjét és kiegyensúlyozását szervizközponttal. Ha olyan akadályba ütközött, amely megállította a terméket, cserélje ki a sérült kést. Vizsgáltsa meg a szervizközpontban, hogy élezhető-e a kés, vagy pedig cserét igényel-e.

## A kés cseréje

- Rögzítse a kést egy fadarabbal. (ábra 37)
- Távolítsa el a késtartó csavart és a rugós alátétet.
- Vegye le a kést.
- Ellenőrizze a késtámaszt és a késtartó csavart, hogy sérült-e.
- Ellenőrizze a motor tengelyét, hogy nincs-e meghajolva.
- Az új kés rögzítésekor a kés ferde vége a vágóburkolat felé nézzen. (ábra 38)
- Győződjön meg róla, hogy a kés igazodik a motortengely középpontjához.
- Rögzítse a kést egy fadarabbal. Helyezze fel a rugós alátétet, és húzza meg a csavart 45–60 Nm nyomatékkal. (ábra 39)
- Forgassa meg a kést kézzel, és figyelje, hogy szabadon forog-e.



### FIGYELMEZTETÉS:

Használjon strapabíró kesztyűt. A kés nagyon éles, könnyen megvághatja magát.

- Indítsa be a terméket, hogy tesztelje a kést. Ha a kés nincs megfelelően rögzítve, a termékből rezgés tapasztalható, vagy a vágási eredmény nem kielégítő.

## Az olajsint ellenőrzése



**VIGYÁZAT:** Ha az olajsint túlságosan alacsony, kár keletkezhet a motorban. Ellenőrizze az olajsintet, mielőtt elindítja a terméket.

- Helyezze a terméket vízszintes talajra.
- Vegye le az olajtartály sapkáját és hozzárögzített nivópálcát.
- Törölje le a nivópálcáról az olajat.
- Nyomja a nivópálcát teljesen az olajtartályba, hogy pontos képet kapjon az olajsintről. Ne helyezze fel az olajtartály sapkáját.
- Vegye le az olajtartály sapkáját és hozzárögzített nivópálcát.
- Vizsgálja meg az olajsintet a nivópálcán.
- Ha az olajsint alacsony, töltsen fel a tartályt motorolajjal, és ellenőrizze újra az olajsintet. (ábra 40)

---

**Megjegyzés:** Használjon egy tölcserőt az olaj melléőmlésének megelőzéséhez.

---

8. Helyezze fel az olajtartály sapkáját, ha az olajsztint megfelelő.

## A motorolaj cseréje –



**FIGYELMEZTETÉS:** A motorolaj rendkívül forró közvetlenül a motor leállítását után. Várja meg, amíg lehűl a motor, mielőtt leereszti a motorolajat. Ha motorolaj kerül a bőrére, vízzel és szappannal mossa le.

(ábra 41)

1. Használja a terméket addig, amíg kiürül az üzemenyagtartály.
2. Húzza ki a gyújtáskábel a gyújtógyertyából.
3. Vegye le az olajtartály sapkáját és hozzárögítettnívópalcát.
4. Tegyen egy tartályt a termék alá, hogy a motorolajat összegyűjtse.
5. Döntse meg a terméket, vagy engedje le a motorolajat az olajtartályból egy olajsztivattyú (tartozék) segítségével.
6. Töltse fel az olajtartályt a(z) *Műszaki adatok 171. oldal*on részben ajánlott típusú, új motorolajjal.
7. Ellenőrizze az olajsztintet. Lásd: *Az olajsztint ellenőrzése 167. oldal*on.
8. Helyezze fel az olajtartály sapkáját, ha az olajsztint megfelelő.

## A műanyaghab szűrő tisztítása



**VIGYÁZAT:** Ne indítsa be a motort, ha a levegőszűrő nincs felszerelve. A piszkos levegő jobban rongálja a motort.

1. Vegye le a levegőszűrő fedelét (A). (ábra 42)
2. Távolítsa el a műanyaghab szűrőket (B).



**VIGYÁZAT:** Nézze meg, hogy a műanyaghab szűrőkön nincs-e sérülés vagy kopás. Cserélje ki az összes sérült műanyaghab szűrőt.

3. Tisztítsa meg a műanyaghab szűrőket szappannal és vízzel.
4. Öblítse le tiszta vízzel a műanyaghab szűrőket.
5. Nyomja ki a vizet a műanyaghab szűrőkből, és hagyja megszáradni.



**VIGYÁZAT:** Ne használjon sűrített levegőt. Az károsíthatja a műanyaghab szűrőt.

6. Kenje be a műanyaghab szűrőket motorolajjal.
7. Nyomjon tiszta kendőt a műanyaghab szűrőhöz a felesleges olaj eltávolításához.
8. Szerelje fel a műanyaghab szűrőket. Győződjön meg arról, hogy a műanyaghab szűrők szorosan illeszkednek a levegőszűrő-tartóba.
9. Helyezze fel a levegőszűrő fedelét.

## A gyújtógyertya ellenőrzése



**VIGYÁZAT:** Használja mindig az előírt típusú gyújtógyertyát. A nem megfelelő gyújtógyertya károsíthatja a terméket.

- Ellenőrizze a gyújtógyertyát, ha gyenge a motor teljesítménye, nehezen indul, vagy egyenetlen az alapjárata.
- A gyújtógyertya elektródái közötti lerakódások kialakulásának csökkentése érdekében tartsa be az alábbi utasításokat:
  - a) gondoskodjon az alapjárati fordulatszám megfelelő beállításáról;
  - b) Gondoskodjon a megfelelő üzemenyagkeverékről.
  - c) Gondoskodjon a levegőszűrő tisztaságáról.
- Ha a gyújtógyertya piszkos, tisztítsa meg, és ellenőrizze, hogy a szikraköz megfelelő-e, lásd: *Műszaki adatok 171. oldal*on. (ábra 43)
- Szükség esetén cserélje ki a gyújtógyertyát.

## Az üzemenyagrendszer ellenőrzése

- Vizsgálja meg az üzemenyagtartály sapkáját és a sapka tömítését, hogy ellenőrizze, nincs-e megsérülve.
- Vizsgálja meg az üzemenyag-vezetékét, hogy ellenőrizze, nincs-e szivárgás. Ha az üzemenyag-vezeték sérült, cseréltesse ki egy szervizműhellyel.

## Az üzemenyagtartály leeresztése

1. Helyezzen egy tartályt az üzemenyagtartály alá.
2. Vegye le az üzemenyagtartály sapkáját.
3. Nyomja az üzemenyagtömlőn lévő tömlőbilincseket a karburátor felé.
4. Távolítsa el az üzemenyagtömlőt a karburátorról.
5. Helyezze az üzemenyagtartály tömlőjét a tartályba, és távolítsa el a tömlőbilincseket.
6. Döntse meg a terméket, hogy az üzemenyag a tartályba ürüljön.

## Az üzemenyagszűrő cseréje



**FIGYELMEZTETÉS:** Használjon védőkesztyűt.

1. Eressze le az üzemenyagtartályt.



2. Távolítsa el a tömlőbilincset az üzemanyagtartálytól. (ábra 44)
3. Vegye ki az üzemanyagtömlőt az üzemanyagtartályból. Egy kis üzemanyag kiszivároghat. (ábra 45)
4. Vegye ki az üzemanyagszűrőt az üzemanyagtartályból. (ábra 46)
5. Helyezzen be egy új üzemanyagszűrőt az üzemanyagtartályba.
6. Csatlakoztassa az üzemanyagtömlőt az üzemanyagtartályhoz.
7. Helyezze a tömlőbilincset helyére, az üzemanyagtartályhoz.

## A tengelykapcsoló bovdnen beállítása (LC 140SP)

A következő esetekben csökkenteni kell a tengelykapcsoló bovdnen hosszát:

- A kerékhajtás nem kapcsol be a kerékhajtás-kapcsoló kar vagy a sebességszabályozó kar meghúzásakor.
- A termék lassan mozog, amikor a kerékhajtás be van kapcsolva.

A következő esetekben meg kell hosszabbítani a tengelykapcsoló bovdent:

- A termék elmozdul, amikor a kerékhajtás nincs bekapcsolva.
- Állítsa be a tengelykapcsoló bovdent.
  - a) A tengelykapcsoló bovdnen hosszának csökkentéséhez fordítsa el a beállítócsavart az óramutató járásával ellentétes irányba.
  - b) A bovdnen meghosszabbításához fordítsa el a beállító csavart az óramutató járásával megegyező irányba. (ábra 47)

Ha a beállítás után a termék továbbra sem halad megfelelően, forduljon a szakszervizhez.

## Motorral kapcsolatos hibaelhárítás

Probléma	Lehetséges ok	Megoldás
A motor nem indul.	A gyújtáskábel nincs megfelelően csatlakoztatva.	Csatlakoztassa a gyújtáskábelt a gyújtógyertyához.
	Kiürült az üzemanyagtartály.	Töltse fel az üzemanyagtartályt a megfelelő típusú üzemanyaggal.
	Az olaj régi.	Ürítse le az üzemanyagtartályt és a karburátort. Töltse fel friss benzinnel.
	Szennyeződés került a karburátorba vagy az üzemanyag-vezetékbe.	Tisztítsa meg a karburátort és/vagy az üzemanyag-vezetékét.
	A gyújtógyertya sérült.	Állítsa be a szikraközt, tisztítsa meg vagy cserélje ki a gyújtógyertyát.
	Üzemanyag került a gyújtógyertyára.	Tisztítsa meg a gyújtógyertyát.
A motor nem áll le.	A leállító mechanizmus nem működik megfelelően.	Húzza ki a gyújtáskábelt a gyújtógyertyából. Bízva hivatalos szervizműhelyre a termék javítását.

Probléma	Lehetséges ok	Megoldás
A motor nem egyenletesen jár.	A gyújtáskábel nincs megfelelően csatlakoztatva.	Csatlakoztassa a gyújtáskábelt a gyújtógyertyához.
	Szennyeződés van az üzemanyag-vezetékben, vagy az üzemanyag lejárt.	Tisztítsa meg az üzemanyag-vezetékét. Töltse fel az üzemanyagtartályt a megfelelő típusú új üzemanyaggal.
	Eltömődés van az üzemanyagtartály sapkájában.	Tisztítsa meg az üzemanyagtartály sapkáját.
	Víz vagy szennyeződés van az üzemanyagrendszerben.	Eressze le az üzemanyagtartályt. Töltse fel az üzemanyagtartályt a megfelelő típusú új üzemanyaggal.
	Piszkos a légszűrő.	Tisztítsa meg a légszűrőt.
	Be kell állítani a karburátort.	A karburátor beállítását végeztesse el a hivatalos szakszervizben.
A motor túl forró.	Túl alacsony a motorolajszint.	Töltse fel a motort olajjal.
	A levegőáramlás nem elegendő.	Tisztítsa meg a levegőszűrőt és a levegőszűrő házát.
	Be kell állítani a karburátort.	A karburátor beállítását végeztesse el a hivatalos szakszervizben.
Időnként kihagy a gyújtás, amikor a motor nagy sebességgel üzemel.	A gyújtógyertya szikraköze túl kicsi.	Állítsa be a szikraközt.
A motor szokatlan hangokat bocsát ki normál terhelés mellett.	A benzin típusa nem megfelelő.	Ürítse le az üzemanyagtartályt és a karburátort. Töltse fel friss benzinnel. Lásd: <i>Tankolás 165. oldal</i> . Ha a probléma továbbra is fennáll, lépjen kapcsolatba a helyi szervizzel.
Alapjáraton nem egyenletes a motor járása.	A gyújtógyertya piszkos, sérült vagy túl nagy a szikraköz.	Állítsa be a szikraközt, vagy cserélje ki a gyújtógyertyát.
	Be kell állítani a karburátort.	Állítsa be a karburátort.
	Piszkos a légszűrő.	Tisztítsa meg a légszűrőt.

## Szállítás, tárolás és ártalmatlanítás

### Szállítás és raktározás

- A termék és az üzemanyag tárolásához és szállításához győződjön meg róla, hogy nincsenek szivárgások vagy gőzök. Szikra vagy nyílt láng, például elektromos készülékektől vagy kazánoktól, tüzet okozhat.
- Mindig engedélyezett tartályokat használjon az üzemanyag tárolására és szállítására.
- Ha a terméket hosszabb ideig tárolja, ürítse ki az üzemanyagtartályt. A felesleges üzemanyagot adja le egy erre kijelölt gyűjtőpontra.

- Biztonságosan rögzítse a terméket szállítás során, a sérülés és baleset elkerülése érdekében.
- Tartsa a terméket zárható helyen, ahol gyermek vagy jogosulatlan személy nem férhet hozzá.
- Tartsa a terméket száraz és fagymentes helyen.

### Hulladékkezelés

- Kövesse a helyi újrahasznosítási előírásokat és a vonatkozó szabályozásokat.
- A használt vagy felesleges vegyi anyagot, például a motorolajat vagy az üzemanyagot, adja le egy szervizközpontban vagy egy erre kijelölt gyűjtőpontra.

- A már nem használt terméket, küldje vissza a Husqvarna kereskedőhöz, vagy adja le egy újrahasznosítási ponton.

## Műszaki adatok

### Műszaki adatok

	LC 140P	LC 140SP
<b>Motor</b>		
Márka	Husqvarna	Husqvarna
Motormodell neve	HS 123A	HS 123A
Motortípus	Egyhengeres, 4 ütemű, kényszerített léghűtéses, OHV	Egyhengeres, 4 ütemű, kényszerített léghűtéses, OHV
Lökettérfogat, cm <sup>3</sup>	123	123
Fordulatszám, ford./perc	3000	3000
Névleges motorteljesítmény, kW <sup>80</sup>	1,95	1,95
<b>Gyújtásrendszer</b>		
Gyújtógyertya	Husqvarna HQT-7	Husqvarna HQT-7
Elektródahézag, mm	0,7–0,8	0,7–0,8
<b>Üzemanyag- és olajozási rendszer</b>		
Motor kenési típusa	Fröcsköléses	Fröcsköléses
Üzemanyagtartály úrtartalma, liter	0,9	0,9
Olajtartály úrtartalma, liter	0,5	0,5
Motorolaj <sup>81</sup>	Husqvarna SAE 30, Husqvarna SAE 5W-30 szintetikus, Husqvarna SAE 10W-40	Husqvarna SAE 30, Husqvarna SAE 5W-30 szintetikus, Husqvarna SAE 10W-40
<b>Tömeg</b>		
Üres tartályokkal, kg	25,2	26,8
<b>Zajkibocsátás</b> <sup>82</sup>		
Hangteljesítményszint, dB(A)-ben mérve	93	93

<sup>80</sup> A motor feltüntetett névleges teljesítménye az adott motormodell tipikus legyártott motorjának a J1349/ISO1585 sz. SAE-szabvány szerint mért átlagos nettó teljesítménye (a megadott fordulatszám mellett). A sorozatgyártott motorok esetén ez az érték eltérő lehet. A végső termékbe épített motor tényleges leadott teljesítménye az üzemi fordulatszámától, a környezeti körülményektől és egyéb értékektől függ.

<sup>81</sup> API SJ vagy jobb minőségű motorolajat használjon. Ha SAE-30 típusú olajat használ, akkor +5 °C alatti hőmérsékleten, fennáll a kockázata, hogy az nem képes biztosítani a motor megfelelő kenését. Ez a motor sérülését okozhatja. Az alacsony hőmérséklet mellett alkalmazandó megfelelő olajtípusra vonatkozóan lásd: *A motorolaj cseréje – 168. oldal*. Tekintse meg a viszkozitási táblázatot a motor kézikönyvében (ha mellékelve van), és válassza a várható kinti hőmérsékletnek leginkább megfelelő viszkozitást.

<sup>82</sup> A környezetben a 2000/14/EK sz. EK irányelvvel összhangban hangteljesítményként mért zajkibocsátás (L<sub>WA</sub>).

	LC 140P	LC 140SP
Hangteljesítményszint, garantált, L <sub>WA</sub> dB (A)	94	94
<b>Zajszintek</b> <sup>83</sup>		
Hangnyomásszint a kezelő fülénél, dB (A)	82	82
<b>Rezgésszintek</b> <sup>84</sup>		
Rezgésszint, fogantyú, m/s <sup>2</sup>	5,6	7,6
<b>Vágófelszerelés</b>		
Vágási magasság, mm	25–75	25–75
Vágószélesség, mm	400	400
Vágórendszer	Gyűjtés/hátsó kidobás	Gyűjtés/hátsó kidobás
Kések - standard	Gyűjtés, 5873863-10	Gyűjtés, 5873863-10
Fűgyűjtő űrtartalma, liter	50	50
<b>Meghajtás</b>		
Önjárás sebessége, km/h	–	4

<sup>83</sup> A zajnyomásszintre vonatkozó jelentési adatok az 1,2 dB (A) tipikus statisztikus ingadozásával (szórásával) rendelkeznek.

<sup>84</sup> A rezgésszintre vonatkozó jelentési adatok a 0,2 m/s<sup>2</sup> tipikus statisztikus ingadozásával (szórásával) rendelkeznek.

# Megfelelőségi nyilatkozat

## EU megfelelési nyilatkozat

A **Husqvarna AB**, SE-561 82 Huskvarna, Sweden (tel.: +46-36-146500), a saját felelősségére kijelenti, hogy a termék:

<b>Leírás</b>	Fűnyíró
<b>Márka</b>	Husqvarna
<b>Típus/modell</b>	LC 140P, LC 140SP
<b>Megjelölés</b>	2022-as és újabb sorozatszámok

teljes mértékben megfelelnek a következő EU-irányelveknek és szabályozásoknak:

<b>Szabályozás</b>	<b>Leírás</b>
2006/42/EK	„gépre vonatkozó”
2014/30/EU	„elektromágneses megfelelésre vonatkozó”
2000/14/EK	„környezeti zajkibocsátásra vonatkozó”
2011/65/EU	„az egyes veszélyes anyagok elektromos és elektronikus berendezésekben való alkalmazásának korlátozására vonatkozó”

valamint hogy az alábbi szabványok és/vagy műszaki előírások kerültek alkalmazásra: EN ISO 5395-1:2013/A1:2018, EN ISO 5395-2:2013/A1:2016/A2:2017, EN ISO 14982:2009, EN IEC 63000:2018

Bejelentett tanúsítási szervezet: A(z) 0404, RISE SMP Svensk Maskinprovning AB, Box 4053, SE-904 03 Umeå, Sweden igazolja a Bizottság 2000/14/EK jelű irányelve VI., megfelelésértékelési eljárás című függelékének való megfelelést.

A zajkibocsátásra vonatkozó tájékoztatást illetően tekintse át a következőt: *Műszaki adatok 171. oldalon.*

Huskvarna, 2022-09-27



Claes Losdal, Fejlesztési Igazgató/Kertművelési termékek, Husqvarna AB

A műszaki dokumentációk felelőse



---

# Sommario

---

Introduzione.....	174	Ricerca guasti del motore.....	183
Sicurezza.....	175	Trasporto, stoccaggio e smaltimento.....	184
Montaggio.....	178	Dati tecnici.....	185
Utilizzo.....	178	Dichiarazione di conformità.....	187
Manutenzione.....	180		

---

## Introduzione

---

### Descrizione del prodotto

Il prodotto è un rasaerba rotativo con operatore a piedi. L'erba viene raccolta in un raccogliherba. Rimuovere il raccogliherba per scaricare l'erba dalla parte posteriore del prodotto.

### Panoramica del prodotto

(Fig. 1)

1. Impugnatura / manubrio
2. Impugnatura di comando (LC 140SP)
3. Maniglia della fune di avviamento
4. Raccogliherba
5. Serbatoio del carburante
6. Filtro dell'aria
7. Candela
8. Coperchio di taglio
9. Marmitta
10. Tappo del serbatoio dell'olio
11. Leva dell'altezza di taglio
12. Coperchio posteriore
13. Impugnatura del freno motore
14. Simboli
15. Complessivo impugnatura inferiore
16. Impugnatura inferiore
17. Manuale operatore
18. Imbuto dell'olio

### Simboli riportati sul prodotto

- (Fig. 2) **AVVERTENZA!** Prestare attenzione e utilizzare il prodotto correttamente. Il prodotto può causare gravi lesioni o morte dell'operatore o altre persone.
- (Fig. 3) Prima dell'uso, leggere per intero il manuale dell'operatore e accertarsi di aver compreso le istruzioni.
- (Fig. 4) Prestare attenzione a oggetti lanciati o rimbalzati.
- (Fig. 5) Mantenere le persone e gli animali a una distanza di sicurezza dalla zona di lavoro.

### Uso previsto

Utilizzare il prodotto per tagliare l'erba. Non utilizzare il prodotto per altre attività.

- (Fig. 6) **Avvertenza:** Tenere mani e piedi lontani dalla lama rotante.
- (Fig. 7) **Avvertenza:** Tenere le mani e i piedi lontani dalle parti rotanti.
- (Fig. 8) Arrestare il motore e rimuovere il cavo di accensione prima di effettuare interventi di riparazione o manutenzione.
- (Fig. 9) Il prodotto è conforme alle direttive CE vigenti.
- (Fig. 10) Emissioni di rumore nell'ambiente in conformità alle direttive e alle norme UE e UK e alla norma del Nuovo Galles del Sud in materia di protezione dell'ambiente "Protection of the Environment Operations (Noise Control) Regulation 2017". Il livello di potenza sonora garantito del prodotto è specificato in *Dati tecnici alla pagina 185* e sull'etichetta.
- (Fig. 11) Questo prodotto è conforme alle direttive del Regno Unito vigenti.
- (Fig. 12) Rischio di incendio.
- (Fig. 13) Non respirare i fumi di scarico. I fumi di scarico del motore contengono monossido di carbonio, un gas inodore, velenoso ed estremamente pericoloso. Non avviare il motore in ambienti o spazi chiusi.
- (Fig. 14) Superficie calda.
- (Fig. 15) Rifornire il motore con olio prima di avviare il prodotto.

---

**Nota:** I restanti simboli/decalcomanie sul prodotto riguardano particolari requisiti necessari per ottenere la certificazione in determinate aree commerciali.

---

## Emissioni Euro V



**AVVERTENZA:** La manomissione del motore rende nulla l'omologazione UE del prodotto.

---

## Danni al prodotto

Non siamo responsabili dei danni al prodotto se:

- Il prodotto viene riparato in modo errato.
- Il prodotto viene riparato con parti che non provengono o non sono omologate dal produttore.
- Il prodotto contiene un accessorio che non proviene o non è omologato dal produttore.
- Il prodotto non viene riparato presso un centro di assistenza autorizzato o presso un'autorità competente.

---

## Sicurezza

---

### Definizioni di sicurezza

Le avvertenze, le precauzioni e le note sono utilizzate per evidenziare le parti importanti del manuale.



**AVVERTENZA:** Utilizzato se è presente un rischio di lesioni o morte dell'operatore o di passanti nel caso in cui le istruzioni del manuale non vengano rispettate.

---



**ATTENZIONE:** Utilizzato se è presente un rischio di danni al prodotto, ad altri materiali oppure alla zona adiacente nel caso in cui le istruzioni del manuale non vengano rispettate.

---

**Nota:** Utilizzato per fornire ulteriori informazioni necessarie in una determinata situazione.

---

### Istruzioni di sicurezza generali



**AVVERTENZA:** Leggere le seguenti avvertenze prima di utilizzare il prodotto.

---

- Questo prodotto è pericoloso se utilizzato in maniera impropria o se non si presta attenzione. La mancata osservanza delle istruzioni di sicurezza può causare lesioni anche fatali.
- Durante il funzionamento, questo prodotto genera un campo elettromagnetico. Tale campo può interferire, in alcuni casi, con persone portatrici di impianti medici attivi o passivi. Per ridurre il rischio di condizioni che possono implicare lesioni gravi o mortali, i portatori di tali impianti devono consultare il proprio medico e il produttore dell'impianto prima di utilizzare questo prodotto.
- Usare la massima cautela e il buon senso. Se non si è sicuri di come utilizzare il prodotto in una particolare situazione, fermarsi e rivolgersi al proprio rivenditore Husqvarna prima di continuare.

- Tenere presente che l'operatore potrà essere ritenuto responsabile di eventuali incidenti che coinvolgano altre persone o i loro beni.
- Tenere pulito il prodotto. Assicurarsi che sia possibile leggere chiaramente simboli e decalcomanie.
- Non consentire ad altre persone di utilizzare il prodotto se non si è sicuri che abbiano letto e compreso il contenuto del Manuale dell'operatore.
- Non consentire ai bambini di utilizzare il prodotto.
- Tenere i bambini lontani dall'area di lavoro. È necessaria sempre la supervisione di un adulto responsabile.
- Non permettere a chiunque non conosca le istruzioni di utilizzare il prodotto.
- Controllare sempre qualsiasi persona, dalle capacità fisiche o mentali ridotte, che utilizzi il prodotto. È necessaria sempre la supervisione di un adulto responsabile.
- Non utilizzare il prodotto quando si è stanchi, ammalati o sotto effetto di alcool, farmaci o medicinali. Essi potrebbero compromettere la vista, l'attenzione, il coordinamento e il giudizio.
- Non utilizzare un prodotto danneggiato o che non funzioni correttamente.
- Non modificare il prodotto né utilizzarlo nel caso in cui vi sia la possibilità che sia stato modificato da altri.
- Non modificare la regolazione per il controllo del regime motore.

### Sicurezza dell'area di lavoro



**AVVERTENZA:** Leggere le seguenti avvertenze prima di utilizzare il prodotto.

---

- Rimuovere oggetti quali rami, ramoscelli o pietre dall'area di lavoro prima di utilizzare il prodotto.
- Gli oggetti che urtano contro l'attrezzatura di taglio potrebbero essere proiettati e causare danni a cose e persone. Mantenere persone e animali a una distanza di sicurezza dal prodotto.

- Non utilizzare mai il prodotto in condizioni meteorologiche avverse quali nebbia, pioggia, vento forte, freddo intenso e rischio di fulmini. L'uso del prodotto in condizioni meteorologiche avverse o in ambienti umidi è stancante. Condizioni meteorologiche avverse possono causare situazioni di pericolo quali superfici scivolose.
- Prestare attenzione a persone, cose e situazioni che possono impedire un utilizzo sicuro del prodotto.
- Prestare attenzione a ostacoli quali radici, pietre, ramoscelli, fossi e avvallamenti. L'erba alta può nascondere eventuali ostacoli.
- Tagliare l'erba in pendenza può risultare pericoloso. Non utilizzare il prodotto su terreni con pendenze superiori a 15°.
- Utilizzare il prodotto trasversalmente lungo i pendii. Non spostarsi seguendo tragitti verso l'alto e verso il basso.
- Prestare attenzione in prossimità di angoli e oggetti nascosti che potrebbero ostacolare la visuale.
- Collocarsi sempre posteriormente al prodotto quando lo si utilizza.
- Consentire a tutte le ruote di restare a contatto con il suolo e tenere le 2 mani sull'impugnatura mentre si aziona il prodotto. Tenere mani e piedi lontani dalle lame rotanti.
- Non ribaltare il prodotto a motore acceso.
- Prestare attenzione quando si tira il prodotto verso di sé.
- Non sollevare mai il prodotto a motore avviato. Se si deve sollevare il prodotto, arrestare innanzitutto il motore e scollegare il cavo di accensione dalla candela.
- Non camminare all'indietro quando si utilizza il prodotto.
- Arrestare il motore quando si attraversano zone prive d'erba quali vialetti in ghiaia, pietra e asfalto.
- Non correre con il prodotto quando il motore è acceso. Camminare sempre durante l'utilizzo del prodotto.
- Spegnerne il motore prima di apportare qualsiasi modifica all'altezza di taglio. Non effettuare mai regolazioni a motore acceso.
- Non perdere mai di vista il prodotto quando il motore è acceso. Arrestare il motore e assicurarsi che l'attrezzatura di taglio non giri.

## Sicurezza sul lavoro



**AVVERTENZA:** Leggere le seguenti avvertenze prima di utilizzare il prodotto.

- Utilizzare il prodotto esclusivamente per tagliare il prato. Non è consentito utilizzare il prodotto per altri scopi.
- Usare sempre abbigliamento protettivo personale. Vedere *Abbigliamento protettivo personale alla pagina 176*.
- Assicurarsi di saper spegnere il motore rapidamente in caso di emergenza.
- Non avviare il motore in uno spazio chiuso o in prossimità di materiali infiammabili. I fumi di scarico del motore sono molto caldi e possono contenere scintille in grado di provocare incendi.
- Non azionare il prodotto senza prima aver montato correttamente la lama e tutti i coperchi. Una lama non correttamente fissata potrebbe allentarsi e causare lesioni personali.
- Assicurarsi che la lama non urti oggetti quali pietre e radici. Ciò potrebbe provocare danni alla lama e piegare l'albero motore. Un'asse piegato provoca forti vibrazioni e un alto rischio di allentamento della lama.
- Qualora la lama urti contro un oggetto o all'insorgere di vibrazioni arrestare immediatamente il prodotto. Staccare il cavo di accensione dalla candela. Verificare la presenza di eventuali danni al prodotto. Riparare eventuali danni o contattare un'officina autorizzata per far svolgere la riparazione.
- Non fissare l'impugnatura del freno motore in modo permanente al manubrio quando il motore è avviato.
- Posizionare il prodotto su una superficie piana e stabile e avviarlo. Assicurarsi che la lama non venga a contatto con il terreno o con altri oggetti.

## Istruzioni di sicurezza per il funzionamento

### Abbigliamento protettivo personale



**AVVERTENZA:** Leggere le seguenti avvertenze prima di utilizzare il prodotto.

- L'uso di abbigliamento protettivo personale non elimina il rischio di lesioni, ma ne riduce la gravità in caso di incidente. Farsi consigliare dal rivenditore per la scelta dell'attrezzatura adatta.
- Utilizzare protezioni per le orecchie se il livello di rumore è superiore a 85 dB.
- Utilizzare robusti stivali o scarpe antiscivolo. Non utilizzare il prodotto con calzature aperte o a piedi nudi.
- Utilizzare pantaloni lunghi di tessuto pesante.
- Indossare guanti protettivi ove necessario, ad esempio per montare, ispezionare o pulire l'attrezzatura di taglio.

### Dispositivi di sicurezza sul prodotto



**AVVERTENZA:** Leggere le seguenti avvertenze prima di utilizzare il prodotto.

- Non utilizzare un prodotto usando dispositivi di sicurezza danneggiati o che non funzionano correttamente.



- Effettuare regolarmente un controllo dei dispositivi di sicurezza. Se i dispositivi di sicurezza sono danneggiati o non funzionano correttamente, rivolgersi al centro di assistenza Husqvarna.
- Non apportare modifiche ai dispositivi di sicurezza.

### Controllo del coperchio di taglio

Il coperchio di taglio riduce le vibrazioni del prodotto e il rischio di ferirsi con la lama.

- Esaminare il coperchio di taglio per accertarsi che non presenti danni quali crepe.

### Controllo dell'impugnatura del freno motore

L'impugnatura del freno motore arresta il motore. Quando si rilascia l'impugnatura del freno motore, il motore si arresta.

- Avviare il motore, quindi rilasciare l'impugnatura del freno motore. Se il motore non si arresta entro 3 secondi, far regolare il freno motore presso un'officina Husqvarna autorizzata. (Fig. 16)

### Marmitta

La marmitta assicura il minimo livello di rumorosità e allontana i fumi di scarico dall'operatore.

Non utilizzare il prodotto se la marmitta è mancante o danneggiata. Una marmitta danneggiata aumenta il livello acustico e il rischio di incendio.



**AVVERTENZA:** La marmitta si surriscalda durante e dopo l'uso e quando il motore funziona al regime minimo. Prestare attenzione in prossimità di materiali infiammabili e/o fumi per evitare incendi.

### Sicurezza per l'uso del carburante



**AVVERTENZA:** Leggere le seguenti avvertenze prima di utilizzare il prodotto.

- Non avviare il prodotto nel caso in cui vi sia carburante o olio motore su di esso. Rimuovere il carburante/olio indesiderato e lasciare che il prodotto si asciughi.
- In caso di perdite di carburante sugli indumenti, cambiarsi immediatamente.
- Il carburante non deve arrivare a contatto con il corpo, poiché può causare lesioni. In caso di contatto del carburante con il corpo, rimuoverlo con acqua e sapone.
- Non avviare il prodotto se il motore presenta una perdita. Esaminare regolarmente il motore per verificare la presenza di eventuali perdite.
- Prestare la massima attenzione con il carburante. Il carburante è infiammabile e i fumi sono esplosivi quindi possono causare lesioni o morte.

- Non respirare i fumi del carburante perché possono causare lesioni. Accertarsi che ci sia un flusso d'aria sufficiente.
- Non fumare in prossimità del carburante o del motore.
- Non posizionare oggetti caldi in prossimità del carburante o del motore.
- Non aggiungere carburante a motore acceso.
- Assicurarsi che il motore sia freddo prima di effettuare il rifornimento.
- Prima di effettuare il rifornimento, aprire lentamente il tappo del serbatoio del carburante e rilasciare la pressione con cautela.
- Non aggiungere carburante al motore in un ambiente chiuso. Un flusso d'aria insufficiente può causare lesioni o la morte dovute ad asfissia o al monossido di carbonio.
- Stringere a fondo il tappo del serbatoio del carburante. Se il tappo del serbatoio del carburante non è serrato, vi è il rischio di incendio.
- Prima dell'avviamento, spostare il prodotto di almeno 3 m/10 ft dal punto in cui è stato riempito il serbatoio del carburante.
- Non riempire completamente il serbatoio del carburante. Il calore provoca l'espansione del carburante. Lasciare dello spazio nella parte superiore del serbatoio del carburante.
- Non riporre il prodotto con il carburante nel serbatoio in una rimessa in cui siano presenti fonti di ignizione, come riscaldatori per acqua calda, elementi di riscaldamento o abiti. Far raffreddare il motore prima del rimessaggio al chiuso.

### Istruzioni di sicurezza per la manutenzione



**AVVERTENZA:** Leggere le seguenti avvertenze prima di utilizzare il prodotto.

- I fumi di scarico del motore contengono monossido di carbonio, un gas inodore, velenoso e altamente pericoloso. Non avviare il motore in ambienti o spazi chiusi.
- Prima di eseguire la manutenzione del prodotto, arrestare il motore e rimuovere il cavo di accensione dalla candela.
- Indossare guanti protettivi quando si esegue la manutenzione dell'attrezzatura di taglio. La lama è molto affilata e ci si può ferire facilmente.
- Accessori e modifiche apportate al prodotto che non siano stati approvati dal costruttore possono causare infortuni gravi, anche fatali. Non apportare modifiche al prodotto. Utilizzare sempre accessori approvati dal produttore.
- Se la manutenzione non viene eseguita correttamente e con regolarità, aumenta il rischio di lesioni personali e danni al prodotto.

- Eseguire esclusivamente gli interventi di manutenzione riportati nel presente manuale. Tutti gli altri interventi di manutenzione devono essere svolti da un'officina Husqvarna autorizzata.
- Rivolgersi a un'officina Husqvarna autorizzata per far svolgere regolarmente interventi di manutenzione sul prodotto.
- Sostituire le parti danneggiate, usurate o rotte.

---

## Montaggio

---

### Montaggio dell'impugnatura

1. Spingere la vite (A) attraverso l'impugnatura (B), la rondella in plastica (C) e la staffa di supporto dell'impugnatura (D). (Fig. 17)
2. Serrare completamente il dado (E).
3. Spingere la vite (F) attraverso la rondella (G) e sulla staffa di supporto dell'impugnatura.
4. Serrare completamente la manopola (H).
5. Allineare i fori nel manubrio con i fori nell'impugnatura inferiore e fissare le viti, le rondelle e le manopole. Stringere completamente le manopole. (Fig. 18)
6. Collegare i cavi all'impugnatura con i supporti per cavi. (Fig. 19)

---

**Nota:** Assicurarsi che la tensione dei cavi non sia eccessiva. Una tensione eccessiva può causare danni al cavo se l'impugnatura è piegata in posizione di trasporto.

---

7. Arrotolare i cavi intorno al gancio nella parte inferiore dell'impugnatura. (Fig. 20)

### Per regolare l'altezza dell'impugnatura

1. Allentare le manopole inferiori. (Fig. 21)
2. Rimuovere la manopola, la rondella e la vite sul lato sinistro e destro.
3. L'impugnatura può essere impostata a 2 altezze diverse. Inserire la vite in uno dei 2 fori sul lato sinistro e destro. (Fig. 22)
4. Fissare le viti, le rondelle e le manopole.
5. Spostare le manopole verso l'alto in direzione dell'impugnatura fino a quando un clic ne segnala l'arresto. Stringere completamente le manopole. (Fig. 23)

### Predisposizione del prodotto in posizione di trasporto

1. Rimuovere il raccoglierba.
2. Allentare le manopole sull'impugnatura superiore e piegare l'impugnatura verso il basso. (Fig. 24)
3. Allentare le manopole inferiori.
4. Spostare le manopole verso l'estremità inferiore delle scanalature dei lati sinistro e destro del prodotto. (Fig. 25)
5. Ripiegare l'impugnatura in avanti. (Fig. 26)

### Per fissare il prodotto in posizione di funzionamento

1. Sollevare il manubrio fino a quando l'impugnatura inferiore si blocca in posizione di funzionamento. (Fig. 27)
2. Spostare le manopole verso l'alto in direzione dell'impugnatura fino a quando un clic ne segnala l'arresto.
3. Stringere completamente le manopole. (Fig. 28)
4. Sollevare la parte superiore del manubrio.
5. Stringere completamente le manopole. (Fig. 29)

### Per assemblare il raccoglierba

1. Inserire la parte superiore del raccoglierba nella parte inferiore del raccoglierba. (Fig. 30)
2. Fissare il telaio del raccoglierba con i fermi. (Fig. 31)
3. Sollevare il coperchio posteriore.
4. Fissare i ganci sul raccoglierba al bordo superiore del telaio. (Fig. 32)
5. Inserire la parte inferiore del raccoglierba nel canale di scarico dell'erba.

---

## Utilizzo

---

### Introduzione



**AVVERTENZA:** Prima di utilizzare il prodotto, è necessario leggere e comprendere il capitolo relativo alla sicurezza.

---

### Husqvarna Connect

Husqvarna Connect è un'app gratuita per i dispositivi mobili. L'app Husqvarna Connect fornisce funzioni estese per il prodotto Husqvarna:

- Informazioni aggiuntive sul prodotto.
- Dettagli, guida, parti del prodotto e manutenzione.

## Primo utilizzo Husqvarna Connect

1. Scaricare l'app Husqvarna Connect sul proprio dispositivo mobile.
2. Registrarsi nell'app Husqvarna Connect.
3. Attenersi alle istruzioni dell'app Husqvarna Connect per collegare e registrare il prodotto.

## Prima di utilizzare il prodotto

1. Leggere il Manuale dell'operatore con attenzione e accertarsi di averne compreso il contenuto.
2. Esaminare l'attrezzatura di taglio per assicurarsi che sia correttamente collegata e regolata. Vedere *Per controllare l'attrezzatura di taglio alla pagina 181*.
3. Riempire il serbatoio del carburante. Vedere *Rifornimento del carburante alla pagina 179*.
4. Riempire il serbatoio dell'olio ed effettuare il controllo del livello dell'olio. Vedere *Controllo del livello dell'olio alla pagina 181*.

## Rifornimento del carburante

Se disponibile, utilizzare benzina con un carburante a basso livello di emissioni/alchilata. Se non è disponibile a basso livello di emissioni/alchilata, utilizzare una scoppio senza piombo di buona qualità o una scoppio contenente piombo con un numero di ottani non inferiore a 91.



**ATTENZIONE:** Non utilizzare mai benzina con un numero di ottani inferiore a 91 RON. Ciò può causare danni al prodotto.



**ATTENZIONE:** Sostituire il filtro del carburante ogni anno o più frequentemente, se necessario. Presso il rivenditore Husqvarna è disponibile un nuovo filtro del carburante.



**ATTENZIONE:** Spegnerne sempre il motore prima di riempire il serbatoio di carburante.



**ATTENZIONE:** Non utilizzare liquidi di avviamento pressurizzati.

1. Aprire lentamente il tappo del serbatoio del carburante per rilasciare la pressione.
2. Riempire lentamente il serbatoio con una tanica di carburante. Se si versa del carburante, rimuoverlo con un panno e lasciare asciugare eventuali residui. (Fig. 33)
3. Pulire l'area intorno al tappo del serbatoio del carburante.

4. Stringere a fondo il tappo del serbatoio del carburante. Se il tappo del serbatoio del carburante non è serrato, vi è il rischio di incendio.
5. Prima dell'avviamento, spostare il prodotto di almeno 3 m/10 ft dal punto in cui è stato riempito il serbatoio del carburante.

## Per impostare l'altezza di taglio

1. Per aumentare l'altezza di taglio, spingere la leva dell'altezza di taglio all'indietro.
2. Per diminuire l'altezza di taglio, spingere la leva dell'altezza di taglio in avanti. (Fig. 34)



**ATTENZIONE:** Non impostare l'altezza di taglio troppo in basso. Se la superficie del prato non è piana, le lame possono urtare il terreno.

## Per avviare il prodotto

1. Accertarsi che il cavo di accensione sia collegato alla candela.
2. Collocarsi dietro il prodotto.
3. Tenere l'impugnatura del freno motore contro il manubrio. (Fig. 35)
4. Tenere l'impugnatura della fune di avviamento con la mano destra.
5. Estrarre lentamente l'impugnatura della fune di avviamento fino a che non si avverte una leggera resistenza.
6. Tirare con forza per avviare il motore.



**AVVERTENZA:** Non avvolgere la fune di avviamento intorno alla mano.

## Per applicare trazione alle ruote

- Premere l'impugnatura di comando in direzione del manubrio. (Fig. 36)
- Rilasciare l'impugnatura di comando per disinnestare la trazione, ad esempio quando ci si avvicina a un ostacolo.
- Prima di tirare il prodotto verso di sé, disinnestare la trazione e spingere il prodotto in avanti di circa 10 cm.

## Per arrestare il prodotto

- Per arrestare la sola trazione, rilasciare l'impugnatura di comando.
- Per spegnere il motore, rilasciare l'impugnatura del freno motore.

## Per ottenere un buon risultato

- Utilizzare sempre una lama ben affilata. Una lama non tagliente fornisce un risultato irregolare e la superficie di taglio dell'erba ingiallisce. Una lama affilata inoltre consuma minore energia di una lama affilata.
- Non tagliare più di  $\frac{1}{3}$  dell'altezza dell'erba. Iniziare l'operazione di taglio impostando l'altezza di taglio su un livello alto. Esaminare il risultato e ridurre l'altezza di taglio al livello applicabile. Se l'erba è molto alta, procedere lentamente e tagliarla 2 volte, se necessario.

- Tagliare sempre in direzioni diverse per evitare il formarsi di strisce sul prato.
- Mantenere pulito il coperchio di taglio. L'accumulo di erba e sporczia sul lato interno del coperchio di taglio può ridurre il risultato del taglio. Fare riferimento a *Per pulire la superficie interna del coperchio di taglio alla pagina 181*.

## Manutenzione

### Introduzione



**AVVERTENZA:** Prima di svolgere la manutenzione, leggere e comprendere il capitolo relativo alla sicurezza.

Per tutti gli interventi di assistenza e riparazione sul prodotto, è necessaria una formazione specifica. La nostra azienda garantisce la disponibilità di personale qualificato per le riparazioni e l'assistenza. Se non avete acquistato il prodotto presso un rivenditore dotato di officina, informatevi sull'ubicazione della più vicina officina autorizzata.

Per ulteriori informazioni dettagliate, fare riferimento a .

### Programma di manutenzione



**ATTENZIONE:** Accertarsi che il filtro dell'aria sia in alto e non a terra quando si inclina il prodotto. Rischio di avarie al motore.

Gli intervalli di manutenzione sono calcolati sulla base di un uso quotidiano del prodotto. Gli intervalli cambiano se il prodotto non viene usato quotidianamente.

Per gli interventi di manutenzione contrassegnati con il simbolo \*, vedere le istruzioni in *Dispositivi di sicurezza sul prodotto alla pagina 176*.

Manutenzione	Giomallera	Una volta al mese	Ogni stagione
Svolgere un'ispezione generale	X		
Controllare il livello dell'olio	X		
Cambiare l'olio (la prima volta dopo 5 ore di funzionamento, successivamente dopo ogni 50 ore) <sup>85</sup>			X
Pulire il prodotto	X		
Controllare l'attrezzatura di taglio	X		
Controllare il coperchio di taglio *	X		
Controllare l'impugnatura del freno motore *	X		
Controllare la marmitta *		X	
Esaminare la candela. Pulire o sostituire la candela secondo necessità.			X
Controllare il filtro dell'aria	X		
Pulire il filtro dell'aria <sup>86</sup>		X	

<sup>85</sup> Se il prodotto viene utilizzato con carichi pesanti o a temperature ambiente elevate, sostituire l'olio motore ogni 25 ore.

<sup>86</sup> Pulire più spesso in ambienti polverosi o in presenza di detriti trasportati dall'aria. Sostituire il filtro dell'aria, se è molto sporco.

Manutenzione	Giornaliera	Una volta al mese	Ogni stagione
Sostituire il filtro dell'aria			X
Controllare il sistema di alimentazione			X
Pulire le alette di raffreddamento sul cilindro.		X	
Controllare e regolare il cavo della frizione (LC 140SP)			X

## Ispezione generale

- Controllare che tutti i dadi e le viti del prodotto siano serrati correttamente.

## Per pulire esternamente il prodotto

- Utilizzare una spazzola per rimuovere foglie, erba e sporcizia.
- Assicurarsi che la presa d'aria nella parte superiore del motore non sia ostruita.
- Non utilizzare una lancia ad alta pressione per pulire il prodotto.
- Se si utilizza dell'acqua per pulire il prodotto, non versare l'acqua direttamente sul motore.

## Per pulire la superficie interna del coperchio di taglio

- Svuotare il serbatoio del carburante.
- Inclinare il prodotto. Assicurarsi che la candela sia rivolta verso l'alto.



**ATTENZIONE:** Se il prodotto è stato collocato con il filtro dell'aria rivolto verso il basso, il motore potrebbe danneggiarsi.

- Lavare la superficie interna del coperchio di taglio con acqua.

## Per controllare l'attrezzatura di taglio



**AVVERTENZA:** Per evitare l'avviamento accidentale del prodotto, rimuovere il cavo di accensione dalla candela.



**AVVERTENZA:** Indossare guanti protettivi quando si esegue la manutenzione dell'attrezzatura di taglio. La lama è molto affilata e ci si può ferire facilmente.

- Controllare l'attrezzatura di taglio per individuare danni o crepe. Sostituire sempre l'attrezzatura di taglio danneggiata.
- Osservare la lama per controllare che non sia danneggiata o usurata.

**Nota:** Dopo l'affilatura la lama deve essere bilanciata. Rivolgersi a un centro assistenza per l'affilatura, la sostituzione e il bilanciamento. Se si urta un ostacolo che provoca l'arresto del prodotto, sostituire la lama danneggiata. Il centro di assistenza può valutare se la lama può essere affilata o deve essere sostituita.

## Per sostituire la lama

- Bloccare la lama con un blocco di legno. (Fig. 37)
- Rimuovere il bullone e la rondella reggisplinta della lama.
- Rimuovere la lama.
- Esaminare il supporto e il bullone della lama per verificare la presenza di eventuali danni.
- Esaminare l'albero motore per accertarsi che non sia piegato.
- Quando si fissa la nuova lama, assicurarsi che gli angoli finali della lama puntino in direzione del coperchio di taglio. (Fig. 38)
- Assicurarsi che la lama sia allineata con il centro dell'albero motore.
- Bloccare la lama con un blocco di legno. Inserire la rondella reggisplinta e serrare il bullone e la rondella a una coppia di 45–60 Nm. (Fig. 39)
- Girare manualmente la lama per verificare che possa ruotare liberamente.



**AVVERTENZA:** Utilizzare dei guanti da lavoro spessi. La lama è molto affilata e ci si può ferire facilmente.

- Avviare il prodotto per eseguire una prova della lama. Se la lama non è collegata correttamente, si verificano delle vibrazioni nel prodotto o il risultato del taglio è insoddisfacente.

## Controllo del livello dell'olio



**ATTENZIONE:** Se il livello dell'olio è troppo basso si possono verificare danni al motore. Controllare il livello dell'olio prima di avviare il prodotto.

- Posizionare il prodotto su un terreno in piano.

2. Rimuovere il tappo del serbatoio dell'olio con l'annessa asta di livello.
3. Pulire l'olio dall'astina di livello.
4. Inserire completamente l'asta di livello all'interno del serbatoio dell'olio per avere un'immagine corretta del livello dell'olio. Non mettere il tappo del serbatoio dell'olio.
5. Rimuovere il tappo del serbatoio dell'olio con l'annessa asta di livello.
6. Controllare il livello dell'olio sull'asta di livello.
7. Se il livello dell'olio è basso, rabboccare con olio motore ed eseguire nuovamente un controllo del livello dell'olio. (Fig. 40)

**Nota:** Utilizzare un imbuto per evitare fuoriuscite.

8. Montare il tappo del serbatoio dell'olio quando il livello dell'olio è corretto.

## Cambio dell'olio motore



**AVVERTENZA:** L'olio motore è molto caldo subito dopo lo spegnimento del motore. Lasciare che il motore si raffreddi prima di scaricare l'olio motore. Se si versa accidentalmente dell'olio motore sulla pelle, lavare con acqua e sapone.

(Fig. 41)

1. Azionare il prodotto fino a quando il serbatoio carburante è vuoto.
2. Rimuovere il cavo di accensione dalla candela.
3. Rimuovere il tappo del serbatoio dell'olio con l'annessa asta di livello.
4. Posizionare un recipiente sotto il prodotto per raccogliervi l'olio motore.
5. Inclinare il prodotto o scaricare l'olio motore dal serbatoio dell'olio con una pompa dell'olio (accessoria).
6. Riempire con nuovo olio motore del tipo raccomandato in *Dati tecnici alla pagina 185*.
7. Eseguire il controllo del livello dell'olio. Fare riferimento a *Controllo del livello dell'olio alla pagina 181*.
8. Montare il tappo del serbatoio dell'olio quando il livello dell'olio è corretto.

## Per pulire il filtro in materiale espanso



**ATTENZIONE:** Non avviare il motore senza i filtri dell'aria. L'usura del motore aumenta se l'aria è sporca.

1. Rimuovere il coperchio del filtro dell'aria (A). (Fig. 42)
2. Rimuovere i filtri in materiale espanso (B).



**ATTENZIONE:** Esaminare i filtri in materiale espanso per verificare che non siano danneggiati o usurati. Sostituire tutti i filtri in materiale espanso danneggiati.

3. Pulire i filtri in materiale espanso con acqua e sapone.
4. Sciacquare i filtri in materiale espanso con acqua pulita.
5. Strizzare via l'acqua dai filtri in materiale espanso e lasciarli asciugare.



**ATTENZIONE:** Non usare aria compressa. Ciò può causare danni al filtro in materiale espanso.

6. Lubrificare i filtri in materiale espanso con olio motore.
7. Premere un panno pulito contro il filtro in materiale espanso per rimuovere residui di olio indesiderati.
8. Installare i filtri in materiale espanso. Assicurarsi che i filtri in materiale espanso si chiudano ermeticamente sul portafiltro dell'aria.
9. Montare il coperchio del filtro dell'aria.

## Controllo della candela



**ATTENZIONE:** Usare candele originali o del tipo raccomandato. Un tipo di candela errato può danneggiare il prodotto.

- Controllare la candela nel caso in cui il motore giri a bassa potenza, risulti difficile da avviare o non funzioni correttamente al regime minimo.
- Per ridurre il rischio di materiale superfluo sugli elettrodi della candela, osservare le seguenti istruzioni:
  - a) Accertarsi che il regime minimo sia regolato correttamente.
  - b) Accertarsi che la miscela sia corretta.
  - c) Accertarsi che il filtro dell'aria sia pulito.
- Se la candela è incrostata, pulirla e controllare che la distanza tra gli elettrodi sia corretta; vedere *Dati tecnici alla pagina 185*. (Fig. 43)
- Sostituire la candela secondo necessità.

## Per controllare il sistema di alimentazione

- Esaminare il tappo del serbatoio del carburante e la relativa guarnizione di tenuta per verificare che non vi siano danni.
- Esaminare il tubo pescante per accertarsi che non presenti perdite. Se il tubo pescante è danneggiato, farlo sostituire presso un'officina.

## Drenaggio del serbatoio del carburante

1. Collocare un contenitore sotto il serbatoio del carburante.
2. Rimuovere il tappo del serbatoio del carburante.
3. Spingere le clip sul tubo del carburante contro il carburatore.
4. Rimuovere il tubo dal carburatore.
5. Posizionare il tubo del serbatoio del carburante nel contenitore e rimuovere le clip.
6. Inclinare il prodotto e far fuoriuscire il carburante nel contenitore.

## Sostituzione del filtro del carburante



**AVVERTENZA:** Usare guanti protettivi.

1. Svuotare il serbatoio del carburante.
2. Allontanare la clip tubo dal serbatoio del carburante. (Fig. 44)
3. Rimuovere il tubo pescante dal serbatoio del carburante. Può fuoriuscire una piccola quantità di carburante. (Fig. 45)
4. Rimuovere il filtro del carburante dal serbatoio del carburante. (Fig. 46)
5. Montare un nuovo filtro carburante nel serbatoio del carburante.

6. Collegare il tubo pescante al serbatoio del carburante.
7. Posizionare la clip tubo contro il serbatoio del carburante.

## Per regolare il filo della frizione (LC 140SP)

Nelle situazioni di seguito riportate, è necessario accorciare il filo della frizione:

- la trazione delle ruote non si avvia quando si tira la staffa di azionamento o la leva di controllo del regime;
- il prodotto si muove lentamente quando si avvia la trazione delle ruote.

Nelle situazioni di seguito riportate, è necessario allungare il filo della frizione:

- il prodotto si muove senza aver avviato la trazione delle ruote.
- Regolare il filo della frizione.
  - a) Per accorciare il filo della frizione, avvitare in senso antiorario la vite di regolazione.
  - b) Per allungare il filo della frizione, avvitare la vite di regolazione in senso orario. (Fig. 47)

Se il prodotto continua ad avere problemi di trazione, contattare il centro di assistenza.

## Ricerca guasti del motore

Problema	Possibile causa	Soluzione
Il motore non si avvia.	Il cavo di accensione non è collegato correttamente.	Collegare il cavo di accensione alla candela.
	Il serbatoio del carburante è vuoto.	Riempire il serbatoio del carburante con il corretto tipo di carburante.
	Il carburante è vecchio.	Svuotare il serbatoio del carburante e il carburatore. Rifornire con benzina nuova.
	È presente dello sporco nel carburatore o nel tubo del carburante.	Pulire il carburatore e/o la tubazione del carburante.
	La candela è danneggiata.	Regolare la distanza tra gli elettrodi, pulire o sostituire la candela.
	È presente del carburante sulla candela.	Pulire la candela.
Il motore non si spegne.	Il meccanismo di spegnimento non funziona correttamente.	Staccare il cavo di accensione dalla candela. Rivolgersi a un tecnico dell'assistenza qualificato per la riparazione del prodotto.

Problema	Possibile causa	Soluzione
Il motore gira in maniera irregolare.	Il cavo di accensione non è collegato correttamente.	Collegare il cavo di accensione alla candela.
	È presente sporcizia nella tubazione del carburante o il carburante è scaduto.	Pulire il tubo del carburante. Riempire il serbatoio del carburante con carburante nuovo del tipo corretto.
	È presente carburante nel tappo del serbatoio del carburante.	Pulire il tappo del serbatoio del carburante.
	Presenza di acqua o sporcizia nel sistema di alimentazione.	Svuotare il serbatoio del carburante. Riempire il serbatoio del carburante con carburante nuovo del tipo corretto.
	Il filtro dell'aria è sporco.	Pulire il filtro dell'aria.
	Il carburatore deve essere regolato.	Affidare la regolazione del carburatore all'officina di manutenzione.
Il motore si è surriscaldato.	Il livello dell'olio motore è insufficiente.	Rabboccare l'olio motore.
	Il flusso d'aria non è sufficiente.	Pulire il filtro dell'aria e il relativo alloggiamento.
	Il carburatore deve essere regolato.	Affidare la regolazione del carburatore all'officina di manutenzione.
Si verifica un'accensione irregolare nel motore quando gira ad alta velocità.	La distanza tra gli elettrodi nella candela è troppo piccola.	Regolare la distanza tra gli elettrodi.
Rumori insoliti provenienti dal motore durante il carico normale.	Tipo di benzina non corretto.	Svuotare il serbatoio del carburante e il carburatore. Rifornire con benzina nuova. Fare riferimento a <i>Rifornimento del carburante alla pagina 179</i> . Se il problema persiste, rivolgersi al rivenditore di zona.
Il motore non gira regolarmente al regime minimo.	La candela è sporca, danneggiata o la distanza tra gli elettrodi è eccessiva.	Regolare la distanza tra gli elettrodi o sostituire la candela.
	Il carburatore deve essere regolato.	Regolare il carburatore.
	Il filtro dell'aria è sporco.	Pulire il filtro dell'aria.

---

## Trasporto, stoccaggio e smaltimento

---

### Trasporto e conservazione

- Per trasportare e conservare il prodotto e il carburante, accertarsi che non vi siano perdite o fumi. Scintille o fiamme aperte, provocate ad esempio da dispositivi elettrici o caldaie, possono innescare un incendio.
- Utilizzare sempre contenitori approvati per la conservazione e il trasporto del carburante.
- Svuotare il serbatoio del carburante prima di riporre il prodotto per un lungo periodo di tempo. Smaltire il carburante presso un apposito centro di smaltimento

- Fissare in sicurezza il prodotto durante il trasporto per evitare danni o incidenti.
- Conservare il prodotto in un'area chiusa a chiave per impedire l'accesso a bambini o persone non autorizzate.
- Conservare il prodotto in un luogo asciutto e al riparo dal gelo.

### Smaltimento

- Rispettare le norme locali sul riciclaggio e le normative vigenti.



- Smaltire tutte le sostanze chimiche, quali olio motore o carburante, presso un centro assistenza o un centro di smaltimento applicabili.
- Quando il prodotto non è più in uso, inviarlo a un rivenditore Husqvarna o smaltirlo presso un impianto di riciclo.

## Dati tecnici

### Dati tecnici

	LC 140P	LC 140SP
<b>Motore</b>		
Marchio	Husqvarna	Husqvarna
Nome modello motore	HS 123A	HS 123A
Tipo di motore	Cilindro singolo, 4 tempi, raffreddamento ad aria forzata, OHV	Cilindro singolo, 4 tempi, raffreddamento ad aria forzata, OHV
Cilindrata, cm <sup>3</sup>	123	123
Velocità, giri/min	3000	3000
Potenza nominale motore, kW <sup>87</sup>	1,95	1,95
<b>Impianto di accensione</b>		
Candela	Husqvarna HQT-7	Husqvarna HQT-7
Distanza tra gli elettrodi, mm	0,7-0,8	0,7-0,8
<b>Carburante e sistema di lubrificazione</b>		
Tipo lubrificante del motore	Lubrificazione per sbattimento	Lubrificazione per sbattimento
Capacità serbatoio carburante, litri	0,9	0,9
Capacità serbatoio dell'olio, litri	0,5	0,5
Olio motore <sup>88</sup>	Husqvarna SAE 30, Husqvarna SAE 5W-30 Sintetico, Husqvarna SAE 10W-40	Husqvarna SAE 30, Husqvarna SAE 5W-30 Sintetico, Husqvarna SAE 10W-40
<b>Peso</b>		
Con serbatoi vuoti, kg	25,2	26,8
<b>Emissioni di rumore<sup>89</sup></b>		

<sup>87</sup> La potenza nominale del motore indicata corrisponde alla potenza netta media (al rapporto giri/min specificato) di un tipico motore in fase di produzione per il modello di motore misurato dalla normativa SAE J1349/ISO1585. I motori per produzione di massa potrebbero presentare un valore diverso da questo. La potenza effettiva del motore installato nel prodotto finale dipende dalla velocità di funzionamento, dalle condizioni ambientali e da altri valori.

<sup>88</sup> Utilizzare olio motore di qualità API SJ o superiore. Se l'olio SAE-30 viene utilizzato a temperature inferiori a +5 °C, vi è il rischio che non lubrifici sufficientemente il motore. Ciò può causare danni al motore. Fare riferimento a *Cambio dell'olio motore alla pagina 182* per informazioni sull'olio corretto da utilizzare in presenza di basse temperature. Fare riferimento alla tabella delle viscosità riportata nel manuale del motore (laddove incluso) e selezionare la migliore viscosità in base alla temperatura esterna prevista.

<sup>89</sup> Emissioni di rumore nell'ambiente misurate come potenza sonora ( $L_{WA}$ ) in base alla direttiva CE 2000/14/CE.

	LC 140P	LC 140SP
Livello potenza acustica, misurato dB(A)	93	93
Livello acustico, garantito, L <sub>WA</sub> dB(A)	94	94
<b>Livelli di rumorosità</b> <sup>90</sup>		
Livello di pressione sonora all'orecchio dell'operatore, dB(A)	82	82
<b>Livelli di vibrazioni</b> <sup>91</sup>		
Vibrazioni sul manubrio, m/s <sup>2</sup>	5,6	7,6
<b>Attrezzatura di taglio</b>		
Altezza di taglio, mm	25-75	25-75
Larghezza di taglio, mm	400	400
Sistema di taglio	Raccolta / scarico posteriore	Raccolta / scarico posteriore
Lame - standard	Raccolta 5873863-10	Raccolta 5873863-10
Capacità del sacco raccogliërba, litri	50	50
<b>Trazione</b>		
Velocità conduzione automatica, km/h	-	4

<sup>90</sup> I dati riportati per il livello di pressione acustica hanno una dispersione statistica tipica (deviazione standard) di 1,2 dB(A).

<sup>91</sup> I dati riportati per il livello di vibrazioni presentano una dispersione statistica tipica (deviazione standard) di 0,2 m/s<sup>2</sup>.

# Dichiarazione di conformità

## Dichiarazione di conformità UE

Husqvarna AB, SE-561 82 Huskvarna, Svezia, tel.:  
+46-36-146500, dichiara sotto la propria esclusiva  
responsabilità che il prodotto indicato:

<b>Descrizione</b>	Tagliaerba
<b>Marchio</b>	Husqvarna
<b>Tipo / Modello</b>	LC 140P, LC 140SP
<b>Identificazione</b>	Numeri di serie a partire da 2022 e successivi

È pienamente conforme alle seguenti norme e direttive  
UE:

<b>Regolamento</b>	<b>Descrizione</b>
2006/42/CE	"sulle macchine"
2014/30/UE	"sulla compatibilità elettromagnetica"
2000/14/CE	"sull'emissione di rumore nell'ambiente"
2011/65/UE	"sulle restrizioni dell'uso di determinate sostanze pericolose nelle apparecchiature elettriche ed elettroniche"

e che sono applicati gli standard e/o le specifiche  
tecniche seguenti: EN ISO 5395-1:2013/A1:2018,  
EN ISO 5395-2:2013/A1:2016/A2:2017, EN ISO  
14982:2009, EN IEC 63000:2018

Organo competente: 0404, RISE SMP Svensk  
Maskinprovning AB, Box 4053, SE-904 03 Umeå,  
Sweden ha certificato la conformità alla Direttiva del  
Consiglio 2000/14/CE, procedura di valutazione della  
conformità: Allegato VI

Per informazioni sulle emissioni acustiche, fare  
riferimento a *Dati tecnici alla pagina 185*.

Huskvarna, 2022-09-27



Claes Lossdal, Responsabile sviluppo/Prodotti da  
giardino, Husqvarna AB

Responsabile della documentazione tecnica



## 目次

はじめに.....	188	エンジンのトラブルシューティング.....	197
安全性.....	189	搬送、保管、廃棄.....	198
組立.....	191	主要諸元.....	198
Operation( 操作 ).....	192	適合宣言.....	200
メンテナンス.....	193		

## はじめに

### 製品の説明

本製品は、手押し式ロータリー芝刈機です。芝はグラスキャッチャーに収集されます。芝を後方排出方式にするには、グラスキャッチャーを取り外してください。

### 製品の概要

(図 1)

1. ハンドル / ハンドルバー
2. ドライブペイル ( LC 140SP )
3. スターターロープハンドル
4. グラスキャッチャー
5. 燃料タンク
6. エアフィルター
7. スパークプラグ
8. カuttingカパー
9. マフラー
10. 燃料タンクキャップ
11. 刈高調整レバー
12. 後部カバー
13. エンジンブレーキハンドル
14. シンボルマーク
15. 下部ハンドルアセンブリ
16. 下部ハンドル
17. 取扱説明書
18. オイルじょうご

### 製品に表記されるシンボルマーク

- (図 2) 警告！十分に注意し、本製品を正しく使用してください。本製品により、作業員や付近にいる人が重傷を負う、または死亡するおそれがあります。
- (図 3) この取扱説明書をよくお読みにになり、内容をしっかりと把握したうえで、使用してください。
- (図 4) 飛び散ったり跳ね返ってくる物体に気をつけてください。
- (図 5) 作業領域からは人や動物との安全な距離を保ってください。

### 用途

本製品は芝刈り用です。他の作業に本製品を使用しないでください。

(図 6) 警告：回転しているブレードに手や足を近づけないでください。

(図 7) 警告：回転部品に手や足を近づけないでください。

(図 8) 修理やメンテナンスを行う前に、エンジンを切り、イグニッションケーブルを外してください。

(図 9) この製品は EC 指令適合製品です。

(図 10) 環境に対する騒音レベルは EC 指令と英国の指令および規制、ニューサウスウェールズの法規「Protection of the Environment Operations ( Noise Control ) Regulation 2017」に準拠しています。本製品の保証音響レベルは、**主要諸元 198** ページおよびラベルに記載されています。

(図 11) 本製品は英国で適用される規制に準拠しています。

(図 12) 火災を起こす危険性があります。

(図 13) 排気ガスを吸わないようにしてください。エンジンの排気ガスには、無臭で有毒な危険性の高いガスである一酸化炭素が含まれます。屋内または閉鎖された空間でエンジンを始動しないでください。

(図 14) 高温の表面。

(図 15) 本製品を始動する前にエンジンオイルを充填してください。

**注記：** 本製品に付いている他のシンボル / 銘板は、一部の商業地域に向けた認定条件を示します。

## ユーロV 排出規制



**警告：** エンジンを改造すると、この製品の EC 型式認証が無効になります。

## 製品の損傷

以下の場合、当社は製品の損傷について責任を負いません。

- 本製品が誤って修理された場合。
- メーカーによるものではない部品、またはメーカーの認可していない部品を使用して本製品を修理した場合。
- メーカーによるものではないアクセサリ、またはメーカーの認可していないアクセサリを本製品に使用した場合。
- 認定サービスセンターまたは認定販売店で本製品が修理されていない場合。

## 安全性

### 安全性の定義

警告、注意、注記は、取扱説明書の特に重要な部分を示しています。



**警告：** 取扱説明書の指示に従わない場合、使用者が負傷したり、死亡したりするが、あるいは付近の人に損傷を与える危険があることを意味します。



**注意：** 取扱説明書の指示に従わない場合、製品や他の物品、または隣接するエリアに損傷を与える危険があることを意味します。

**注記：** 特定の状況で必要とされる詳細情報を提供するために使用されます。

### 一般的な安全注意事項



**警告：** 本製品を使用する前に、以下の警告指示をお読みください。

- 本製品は、慎重かつ適切に使用しないと、危険な道具となります。安全注意事項に従わないと、負傷や死亡事故が発生するおそれがあります。
- 本製品では、運転中に電磁場が発生します。この電磁場は、ある条件下でアクティブ、またはパッシブな医療用インプラントに影響を及ぼすことがあります。深刻な傷害または致命傷の危険を避けるため、医療用インプラントを使用している方は、本製品を使用する前に主治医および医療用インプラントの製造元に相談することをお勧めします。
- 常に常識に基づいて注意して使用してください。特殊な状況での本製品の操作方法がわからない場合、作業を続ける前に本製品を停止して、Husqvarna 販売店までご連絡ください。
- 第三者やその所有物が事故に巻き込まれた場合、その責任は、作業者にあることをご留意ください。

- 本製品は清潔に保ってください。標識やラベルがはっきりと読み取れるようにしてください。
- 取扱説明書を読んで内容を理解した人へのみ本製品を使用させてください。
- 子供に本製品を操作させないでください。
- 子供を作業エリアに近づけないでください。責任を有する大人が常にそばにいる必要があります。
- 指示を理解していない人に本製品を操作させないでください。
- 身体的、精神的にハンデを負った人が本製品を使用する場合は常に監視してください。責任を有する大人が常にそばにいる必要があります。
- 疲労時、疾病時、アルコールや医薬品の影響が残っているときは、本製品を使用しないでください。視力、注意力、動作、判断力に悪影響を与えます。
- 損傷した製品や正しく動作しない製品は使用しないでください。
- 本製品を改造しないでください。また、本製品が改造されている可能性がある場合は使用しないでください。
- エンジンの速度制御の調整を変更しないでください。

### 作業エリアの安全



**警告：** 本製品を使用する前に、以下の警告指示をお読みください。

- 本製品を使用する前に、大小の枝や石などの物体を作業範囲から取り除いてください。
- カutting装置にぶつかった物体がはじかれて、人が怪我をしたり物が損傷したりするおそれがあります。本製品から周囲の人や動物との安全な距離を保ってください。
- 霧、雨、強風、極寒、雷の危険などの悪天候下で本製品を使用しないでください。悪天候下や、湿気のある場所、濡れた場所での本製品を使用すると疲労します。悪天候の場合、路面が滑りやすくなるなど、危険な状態を引き起こすことがあります。
- 製品の安全な操作を妨げる可能性がある人、物、状況に注意してください。

- 根、石、小枝、窪み、溝などの障害物に注意してください。長い芝の中に障害物が隠れていることがあります。
- 斜面で芝を刈ることは危険を伴います。15度を超える斜面では、本製品を使用しないでください。
- 斜面を横切りながら本製品を操作してください。上下に移動しないでください。
- 陰になった隅や視界を遮るものに近づくときは気を付けてください。

## 安全な作業



**警告：** 本製品を使用する前に、以下の警告指示をお読みください。

- 本製品は芝生刈りにのみ使用してください。他の作業には使用できません。
- 身体保護具を使用してください。使用者の**身体保護具 190** ページを参照してください。
- 緊急時にエンジンをすばやく停止する方法を必ず確認してください。
- 閉鎖された空間または可燃性物質の近くでエンジンを始動しないでください。エンジンの排気ガスは高温で火花を含むことがあり、火災発生の原因となります。
- ブレードやすべてのカバーを適切に装着してから本製品を始動させてください。ブレードが適切に装着されていないと、緩んで、怪我をすることがあります。
- ブレードが石や根などの物体にぶつからないように気を付けてください。ブレードが損傷したり、エンジンシャフトが曲がったりするおそれがあります。シャフトが曲がると振動が激しくなり、ブレードが緩む危険性が非常に高くなります。
- ブレードが物に当たったり振動が発生したりした場合は、すぐに本製品を停止してください。スパークプラグからイグニッションケーブルを外してください。製品に損傷がないか点検します。損傷部を修復するか、正規サービス代理店に修理を依頼してください。
- エンジンの始動時は、エンジンブレーキハンドルをハンドルに完全に固定しないでください。
- 製品を平らで安定した面に置き、始動します。ブレードが地面やその他の物に触れないよう、注意してください。
- 本製品の操作時は、必ず製品の後ろに立ってください。
- 製品を操作するときは、すべてのホイールを地面につけ、両手でハンドルをつかんで操作してください。回転しているブレードに手や足を近づけないでください。
- エンジンの作動中は、本製品を傾けないでください。
- 製品を後方に引くときは注意してください。
- エンジンの作動中は、本製品を持ち上げないでください。エンジンを持ち上げる必要がある場合は、最初にエンジンを停止し、スパークプラグからイグニッションケーブルを取り外してください。

- 本製品を操作するときは、後ろ向きに歩かないでください。
- 砂利、石、アスファルトなど、芝面以外の領域を横切るときは、エンジンを停止してください。
- エンジンの作動中は、本製品を操作しながら走りしないでください。製品を操作するときは、必ず歩いてください。
- 刈高を変更する場合は、まずエンジンを停止してください。エンジンが作動している状態での調整は決して行わないでください。
- エンジンが作動している状態で、見えない場所に製品を放置しないでください。エンジンを停止し、カッティング装置が回転していないことを確認してください。

## 操作のための安全注意事項

### 使用者の身体保護具



**警告：** 本製品を使用する前に、以下の警告指示をお読みください。

- 身体保護具で怪我を完全に防止できるわけではありませんが、万が一事故が起こった場合、負傷の度合いを軽減することができます。適切な保護具の選択については、販売店にご相談ください。
- 騒音レベルが 85 dB を超える場合は、イヤマフを使用してください。
- 丈夫で滑りやすいブーツや靴を着用してください。開放部の多い靴を使用したり、裸足で作業を行ったりしないでください。
- 厚手の長ズボンを着用してください。
- カッティング装置の取り付け、点検、清掃を行う場合は、必要に応じて保護グローブを着用してください。

### 本製品の安全装置



**警告：** 本製品を使用する前に、以下の警告指示をお読みください。

- 損傷している、または正しく動作していない安全装置を取り付けた状態で、製品を使用しないでください。
- 安全装置は定期的に点検してください。安全装置が損傷している、または正しく動作していない場合は、Husqvarna サービス代理店にお問い合わせください。
- 安全装置は改造しないでください。

### カッティングカバーの点検方法

カッティングカバーは、本製品の振動を抑え、ブレードで負傷する危険性を低減します。

- カッティングカバーを点検して、亀裂などの損傷がないことを確認してください。

## エンジンブレーキハンドルの点検

エンジンブレーキハンドルは、エンジンを停止させるためのものです。エンジンブレーキハンドルを放すと、エンジンが停止します。

- エンジンを始動して、エンジンブレーキハンドルを放します。エンジンが3秒で停止しない場合は、Husqvarnaの認証サービス代理店にエンジンブレーキの調整を依頼してください。(図16)

## マフラー

マフラーは騒音レベルを最小限に抑え、排気ガスを作業着から遠ざける働きをします。

マフラーがない、または損傷している場合は、本製品を使用しないでください。マフラーに損傷があると、騒音レベルと火災発生の危険が増加します。



**警告：** 使用中、使用直後およびエンジンがアイドリング速度で稼働しているときはマフラーが高温になります。可燃性の材料やガスの近くでは火災に注意してください。

## 燃料の安全性について



**警告：** 本製品を使用する前に、以下の警告指示をお読みください。

- 本機に燃料やエンジンオイルが付着している場合は始動しないでください。付着した燃料やオイルを本機から拭き取り、乾かしてください。
- 衣服に燃料をこぼした場合は、すぐに着替えてください。
- 燃料が身体に付着しないようにしてください。燃料により負傷するおそれがあります。身体に燃料が付着した場合は、石鹸と水で燃料を洗い流してください。
- エンジンに漏れがある場合は、本機を始動しないでください。エンジンに漏れないかを定期的に点検してください。
- 燃料に注意してください。燃料は可燃性で気体は爆発性のため、負傷や死亡に至るおそれがあります。
- 気化した燃料を吸引しないでください。負傷するおそれがあります。十分な空気の流れを確保してください。
- 燃料やエンジンのそばで喫煙しないでください。
- 燃料やエンジンのそばに温かい物を置かないでください。
- エンジンの運転中は燃料を給油しないでください。

- 燃料の給油は、エンジンが冷えてから行ってください。
- 燃料を給油する前に、燃料タンクのキャップをゆくりと開き、慎重に圧力を解放してください。
- 屋内でエンジンに燃料を補充しないでください。通気が十分でない、窒息や一酸化炭素中毒によって負傷や死亡に至ることがあります。
- 燃料タンクキャップを完全に締め込んでください。燃料タンクキャップが締め込まれていない場合、火災発生の危険があります。
- 始動する前に、燃料を充填した場所から本製品を3m(10フィート)以上移動させます。
- 燃料タンクいっぱいには充填しないでください。高温になると、燃料が膨張します。燃料タンクの上部に余裕を持たせるようにしてください。
- 燃料タンクに燃料が入った製品は、温水ヒーター、スペースヒーター、乾燥機などの発火源が存在する建物内に保管しないでください。保管場所に入れる前にエンジンを冷やしてください。

## メンテナンスのための安全注意事項



**警告：** 本製品を使用する前に、以下の警告指示をお読みください。

- エンジンの排気ガスには、無臭で有毒な危険性の高いガスである一酸化炭素が含まれます。屋内または閉鎖された空間でエンジンを始動しないでください。
- 本製品のメンテナンスを実施する前に、エンジンを停止し、スパークプラグからイグニッションケーブルを取り外してください。
- カッティング装置のメンテナンスを実施するときは、保護グローブを使用してください。ブレードは非常に鋭いため、切り傷を負う危険性があります。
- メーカーが認可していないアクセサリーの使用や本製品の改造は、重傷や死亡事故の原因となるおそれがあります。本製品を改造しないでください。必ず、メーカー認可済みのアクセサリーを使用してください。
- メンテナンスが正しく定期的には実施されていない場合は、負傷や本製品の損傷の危険性が高まります。
- 取扱説明書に記載されているメンテナンスのみを実施してください。他のすべてのサービス作業は、Husqvarnaの認証サービス代理店が実施する必要があります。
- Husqvarnaの認証サービス代理店で定期的に本製品のサービス作業を実施する必要があります。
- 損傷、摩耗、破損した部品は交換してください。

## 組立

### ハンドルの組み立て

- ネジ(A)をハンドル(B)、プラスチックワッシャー(C)、ハンドルサポートブラケット(D)に通します。(図17)

- ナット(E)を完全に締め込みます。
- ネジ(F)をワッシャー(G)とハンドルサポートブラケットに通します。
- ノブ(H)を完全に締め込みます。

5. ハンドルバーの穴を下部ハンドルの穴に合わせ、ネジ、ワッシャー、ノブを取り付けます。ノブを完全に締め込みます。(図 18)
6. ケーブルホルダーでケーブルをハンドルに取り付けます。(図 19)

**注記：** ケーブルの張力が高すぎないようにしてください。ケーブルの張力が高すぎると、ハンドルを搬送位置に折り畳んだ場合にケーブルが破損するおそれがあります。

7. ハンドルの下部にあるフックにケーブルを掛けます。(図 20)

## ハンドルの高さの調節方法

1. 下側ノブを緩めます。(図 21)
2. 左右にあるノブ、ワッシャー、ネジを取り外します。
3. ハンドルは 2 種類の高さに設定できます。左右にある 2 つの穴のいずれかにネジを取り付けます。(図 22)
4. ネジ、ワッシャー、ノブを取り付けます。
5. ノブをハンドル方向に、カチッと音がするまで上方に動かします。ノブを完全に締め込みます。(図 23)

## 製品を搬送位置にセットする方法

1. グラスキャッチャーを取り外します。
2. 上部ハンドルにあるノブを緩めて、ハンドルを下側に折り畳みます。(図 24)

3. 下側ノブを緩めます。
4. 本製品の左右にある溝の下端までノブを動かします。(図 25)
5. ハンドルを前側に折り畳みます。(図 26)

## 製品を操作位置にセットする方法

1. 下部ハンドルが操作位置にロックされるまでハンドルバーを持ち上げます。(図 27)
2. ノブをハンドル方向に、カチッと音がするまで上方に動かします。
3. ノブを完全に締め込みます。(図 28)
4. ハンドルバーの上部を持ち上げます。
5. ノブを完全に締め込みます。(図 29)

## グラスキャッチャーの組み付け方法

1. グラスキャッチャーの上側部品をグラスキャッチャーの下側部品に取り付けます。(図 30)
2. グラスキャッチャーフレームをクリップで取り付けます。(図 31)
3. 後部カバーを持ち上げます。
4. グラスキャッチャーのフックをシャーシの上端に取り付けます。(図 32)
5. グラスキャッチャーの下部を芝の排出口に入れます。

# Operation ( 操作 )

## はじめに



**警告：** 本製品を操作する前に、安全に関する章をお読みになり、内容を理解してください。

## Husqvarna Connect

Husqvarna Connect は、モバイルデバイス用の無料アプリです。Husqvarna Connect アプリは、お持ちの Husqvarna 製品の拡張機能を提供します。

- 拡張製品情報。
- 製品の部品とサービスに関する情報とヘルプ。

## Husqvarna Connect の使い方

1. Husqvarna Connect アプリをモバイルデバイスにダウンロードします。
2. Husqvarna Connect アプリで登録を行います。
3. Husqvarna Connect アプリの指示に沿って、製品を接続して登録します。

## 本製品を操作する前に

1. この取扱説明書をよくお読みになり、内容をしっかりと把握してください。

2. カutting装置を点検し、正しく取り付けられ、調整されていることを確認します。Cutting装置の点検方法 194 ページを参照してください。
3. 燃料タンクを充填します。燃料の充填方法 192 ページを参照してください。
4. オイルタンクにオイルを注入し、油面をチェックします。オイルレベルのチェック 195 ページを参照してください。

## 燃料の充填方法

入手できる場合は、低排出グレードのガソリンまたはアルキレート燃料を使用してください。低排出グレードのガソリンまたはアルキレート燃料を入手できない場合は、高品質の無鉛ガソリン、またはオクタン価が 91 以上の無鉛ガソリンを使用してください。



**注意：** オクタン価が 91 RON 未満のガソリンは使用しないでください。本製品が損傷する場合があります。



**注意：** 必要に応じて、燃料フィルターを年 1 回以上交換します。新しい燃料フィルターは Husqvarna 販売店で購入できます。





**注意：** 燃料を充填する前に、必ずエンジンを停止します。



**注意：** 圧搾点火燃料は使用しないでください。

1. 燃料タンクキャップをゆっくりと開いて、圧力を解放します。
2. 燃料缶を使用してゆっくり補充してください。燃料をこぼした場合は、布で拭き取り、残った燃料を乾燥させてください。(図 33)
3. 燃料タンクキャップの周囲をきれいにしてください。
4. 燃料タンクキャップを完全に締め込んでください。燃料タンクキャップが締め込まれていない場合、火災発生の危険があります。
5. 始動する前に、燃料を充填した場所から本製品を 3 m (10 フィート) 以上移動させます。

## 刈高の設定方法

1. 刈高を高くするには、刈高レバーを後方に動かします。
2. 刈高を低くするには、刈高レバーを前方に動かします。(図 34)



**注意：** 刈高を低く設定しすぎないでください。芝生の表面が水平でない場合、ブレードが地面に当たるおそれがあります。

## 本製品の始動方法

1. イグニッションケーブルがスパークプラグに接続されていることを確認してください。
2. 製品の後ろに立ってください。
3. エンジンブレーキハンドルをハンドルバーの方へ引きます。(図 35)
4. 右手でスターターロープハンドルを握ります。

# メンテナンス

## はじめに



**警告：** メンテナンスを行う前に、安全に関する章をお読みになり、内容を理解してください。

本製品のすべての整備と修理作業には、特別な訓練が必要です。当社では責任をもって専門的な修理と整備作業を提供します。お客様の販売店がサービス代理店でない場合は、最寄りのサービス代理店に関する情報をお問い合わせください。

詳しくは、を参照してください。

5. 抵抗を感じるまで、スターターロープをゆっくりと引き出します。
6. 力を入れて引き、エンジンを始動します。



**警告：** スターターロープを手巻き付けないでください。

## ドライブホイールの使用

- ハンドルバーの方向にドライブペイルを押します。(図 36)
- 障害物に近づいたときなどは、ドライブペイルを放してドライブを解除します。
- ドライブを解除し、本製品を約 10 cm 前方に押してから、後ろ向きに引きます。

## 本製品を停止するには

- ドライブのみを停止するには、ドライブペイルを解除します。
- エンジンを停止するには、エンジンブレーキハンドルを放します。

## 良好に芝を刈る方法

- 必ず鋭利なブレードを使用してください。ブレードが鈍っていると、刈り取りにばらつきが出て、芝の切口が黄ばみます。鋭利なブレードを使用すると、鈍いブレードを使用した場合より労力が少なくて済みます。
- 芝の長さの 1/2 以上刈らないでください。まず刈高を高く設定して刈ります。結果を確認し、必要なレベルまで刈高を下げます。芝がかなり長い場合は、ゆっくり運転し、必要に応じて刈り取り作業を 2 回行ないます。
- 1 回目と 2 回目は別の方向に向かって刈り、芝面に筋がつかないようにします。
- カッティングカバーの汚れは落としてください。カッティングカバーの内側に草や土がたまると芝刈りの結果が悪くなります。カッティングカバーの内面の清掃 194 ページを参照してください。

## メンテナンススケジュール



**注意：** 製品を傾けるときは、エアフィルターを上向きにし、地面に接触しないようにしてください。エンジンが損傷する可能性があります。

メンテナンス間隔は、本製品が毎日使用されることを前提に算出されています。本製品を毎日使用しない場合は、メンテナンス間隔が変わります。

「\*」が付いているメンテナンスについては、「本製品の安全装置 190 ページ」を参照してください。

メンテナンス	毎日	毎月	季節ごと
一般点検の実施	X		
油面の点検	X		
オイルの交換（最初は 5 時間の使用後、その後は 50 時間の使用ごと） <sup>92</sup>			X
製品の洗浄	X		
カッティング装置の点検	X		
カッティングカバーの点検*	X		
エンジンプレーキハンドルの点検*	X		
マフラーの点検*		X	
スパークプラグを点検します。必要に応じてスパークプラグを清掃または交換します。			X
エアフィルターの点検	X		
エアフィルターの清掃 <sup>93</sup>		X	
エアフィルターの交換			X
燃料システムの点検			X
シリンダーの冷却フィンを清掃します		X	
クラッチワイヤーの点検と調整 (LC 140SP)			X

## 一般点検の実施方法

- 本製品のナットとネジがしっかりと締め込まれていることを確認してください。

## 製品外部を洗浄するには

- ブラシで、葉、草、土を取り除いてください。
- エンジン上部の空気取り込み口が塞がれていないことを確認してください。
- 本製品の清掃には高圧水を使用しないでください。
- 水を使用して製品を洗浄する場合は、エンジンに直接水をかけないでください。

## カッティングカバーの内面の清掃

- 燃料タンクを空にします。
- 本製品を傾けます。スパークプラグが上向きになっていることを確認します。



**注意：** 製品にエアフィルターを取り付けている場合は、エンジンが破損することがあります。

- ホースを使ってカッティングカバーの内側の表面を水で洗浄します。

## カッティング装置の点検方法



**警告：** 誤って始動しないように、イグニッションケーブルをスパークプラグから取り外します。



**警告：** カッティング装置のメンテナンスを実施するときは、保護グローブを着用してください。ブレードは非常に鋭利なため、切り傷を負う危険性があります。

- カッティング装置に損傷やひび割れがないかどうか点検してください。損傷したカッティング装置は必ず交換してください。
- ブレードが破損していないが、鈍くなっていないかを確認してください。

**注記：** ブレードの目立て後は、ブレードのバランス調整が必要です。サービスセンターに依頼して、ブレードの目立て、交換、バランス調整を受けてください。製

<sup>92</sup> 本製品を高負荷の作業または高温の場所で使用する場合は、25 時間ごとにエンジンオイルを交換してください。

<sup>93</sup> 埃っぽい環境や空中に碎片がある環境ではより頻繁に清掃してください。汚れがひどい場合は、エアフィルターを交換します。

品が障害物に当たって停止した場合は、破損したブレードを交換してください。サービスセンターに依頼して、ブレードの目立てが可能かどうか、交換が必要かどうかを判断してもらってください。

## ブレードの交換

1. ブレードを木製ブロックでロックします。(図 37)
2. ブレードボルトとスプリングワッシャーを取り外します。
3. ブレードを外します。
4. ブレードサポートとブレードボルトに破損がないかどうか点検します。
5. エンジンシャフトが曲がっていないかことを点検します。
6. 新しいブレードを取り付けるときは、角度がついたブレードの端の部分をカッティングカバー方向に向けます。(図 38)
7. ブレードがエンジンシャフトの中心と合っていることを確認します。
8. ブレードを木製ブロックでロックします。スプリングワッシャーを取り付け、ボルトとワッシャーを 45-60 Nm のトルクで締め付けます。(図 39)
9. 手でブレードを引き回して、引っかかりなく回転することを確認します。



**警告：** 丈夫な作業用手袋を着用してください。ブレードは非常に鋭利なため、切り傷を負う危険性があります。

10. 製品を始動してブレードのテストを実施します。ブレードが正しく取り付けられていない場合、製品に振動が発生するが、良好な刈り取り結果を得られません。

## オイルレベルのチェック



**注意：** 油面が低すぎると、エンジンが損傷することがあります。製品を始動する前に油面を点検してください。

1. 本製品を水平面に置きます。
2. オイルタンクキャップとオイルレベルゲージを取り外します。
3. オイルレベルゲージのオイルを拭き取ります。
4. オイルレベルの正しい状況を知るには、オイルタンクにオイルレベルゲージを完全に押し込みます。オイルタンクキャップは取り付けしないでください。
5. オイルタンクキャップとオイルレベルゲージを取り外します。
6. オイルレベルゲージで油面を点検します。
7. 油面が低すぎる場合は、エンジンオイルを充填し、もう一度油面をチェックします。(図 40)

**注記：** 飛び散らないようにじょうごを使用します。

8. オイルレベルが正しい場合は、オイルタンクキャップを取り付けます。

## エンジンオイルの交換方法



**警告：** エンジンの停止直後は、エンジンオイルが非常に高温になっています。エンジンオイル排出前にエンジンを冷ましてください。エンジンオイルが皮膚に触れた場合は、石鹸と水で洗ってください。

(図 41)

1. 燃料タンクが空になるまで、本製品を運転します。
2. スパークプラグからイグニッションケーブルを取り外します。
3. オイルタンクキャップとオイルレベルゲージを取り外します。
4. エンジンオイルを収集するために、本製品の下に容器を置きます。
5. 本製品を傾けるか、オイルポンプ ( アクセサリー ) を使用して、オイルタンクからエンジンオイルを排出させます。
6. **主要請元 198** ページで推奨されているタイプの新しいエンジンオイルを充填します：
7. 油面をチェックします。 **オイルレベルのチェック 195** ページを参照してください。
8. オイルレベルが正しい場合は、オイルタンクキャップを取り付けます。

## 発泡プラスチックフィルターを清掃するには



**注意：** エアフィルターを取り付けずにエンジンを始動しないでください。空気が汚れていると、エンジンの摩耗が助長されます。

1. エアフィルターカバー ( A ) を取り外します。(図 42)
2. 発泡プラスチックフィルター ( B ) を取り外します。



**注意：** 発泡プラスチックフィルターに損傷や摩耗がないかどうかを点検します。損傷している発泡プラスチックフィルターをすべて交換します。

3. 石鹸と水で発泡プラスチックフィルターを清掃します。
4. きれいな水で発泡プラスチックフィルターを洗い流します。
5. 発泡プラスチックフィルターの水を絞り、乾燥させます。



**注意：** 圧縮空気を使用しないでください。発泡プラスチックフィルターが破損するおそれがあります。

6. 発泡プラスチックフィルターにエンジンオイルを注油します。
7. 清潔な布で、発泡プラスチックフィルターの不要なオイルを拭き取ります。
8. 発泡プラスチックフィルターを取り付けます。発泡プラスチックフィルターとエアフィルターホルダーの間に隙間ができないようにしてください。
9. エアフィルターカバーを取り付けます。
5. 燃料タンクホースを容器に入れ、ホースクリップを取り外します。
6. 本製品を傾けて、燃料を容器に排出します。

## 燃料フィルターの交換



**警告：** 保護グローブを着用してください。

1. 燃料タンクを空にします。
2. ホースクリップを燃料タンクから離れた位置に動かします。(図 44)
3. 燃料タンクから燃料ホースを取り外します。少量の燃料が漏れる可能性があります。(図 45)
4. 燃料タンクから燃料フィルターを取り外します。(図 46)
5. 燃料タンクに新しい燃料フィルターを取り付けます。
6. 燃料ホースを燃料タンクに取り付けます。
7. ホースクリップを燃料タンクの所定の位置に配置します。

## クラッチワイヤーの調整 (LC 140SP)

以下の状況では、クラッチワイヤーを短くする必要がありません。

- ドライブベイルまたはスピードコントロールレバーを引いたときに、ホイールの駆動が噛み合わない。
- ホイールの駆動力がかかると、本製品がゆっくりと動く。

以下の状況では、クラッチワイヤーを長くする必要があります。

- ホイールの駆動力がかかっていないときに本製品が動く。
- クラッチワイヤーの調整
  - a) クラッチワイヤーを短くするには、調整ネジを反時計回りに回します。
  - b) クラッチワイヤーを長くするには、調整ネジを時計回りに回します。(図 47)

調整後も本製品の運転に不具合がある場合、販売店にお問い合わせください。

## スパークプラグの点検方法



**注意：** 必ず推奨されたスパークプラグタイプを使用してください。スパークプラグの種類が間違っていると、本製品が破損するおそれがあります。

- エンジンのパワーが出ない、なかなか始動しない、またはアイドリング速度で適切に動作しない場合は、スパークプラグを点検します。
- スパークプラグ電極に異物が付着するリスクを下げるには、次の手順に従います。
  - a) アイドリング速度が正しく調整されていることを確認します。
  - b) 適切な燃料混合物を使用していることを確認します。
  - c) エアフィルターに汚れがないことを確認します。
- スパークプラグが汚れていたら、きれいしてから電極ギャップが適切であることを確認します。主要諸元 198 ページを参照してください。(図 43)
- 必要に応じて、スパークプラグを交換します。

## 燃料システムを点検するには

- 燃料タンクキャップと燃料タンクキャップのシールを確認し、破損していないことを確認します。
- 燃料ホースを点検し、漏れがないことを確認します。燃料ホースが破損している場合は、サービス代理店に交換を依頼してください。

## 燃料タンクを空にする

1. 燃料タンクの下に容器を置きます。
2. 燃料タンクキャップを取り外します。
3. 燃料ホースのホースクリップをキャブレタに押し付けます。
4. キャブレタから燃料ホースを取り外します。

## エンジンのトラブルシューティング

問題	考えられる原因	解決策
エンジンが始動しない。	イグニッションケーブルが正しく接続されていません。	イグニッションケーブルをスパークプラグに接続します。
	燃料タンクが空です。	燃料タンクに正しい種類の燃料を充填します。
	燃料が古くなっています。	燃料タンクとキャブレターから燃料を抜き取ります。新しいガソリンを充填します。
	キャブレターまたは燃料ラインに異物があります。	キャブレターまたは燃料ラインを清掃します。
	スパークプラグが損傷しています。	電極間距離を調節するか、スパークプラグを清掃または交換します。
	スパークプラグに燃料が付着しています。	スパークプラグを清掃します。
エンジンが停止しない。	停止機構が正しく動作していません。	スパークプラグからイグニッションケーブルを外します。本製品の修理は販売店に依頼してください。
エンジンがスムーズに動作しない。	イグニッションケーブルが正しく接続されていません。	イグニッションケーブルをスパークプラグに接続します。
	燃料ラインに汚れがあるか、燃料が古くなっています。	燃料ラインを清掃します。正しい種類の新しい燃料を燃料タンクに充填します。
	燃料タンクキャップに詰まりがあります。	燃料タンクキャップを清掃します。
	燃料システムに水または汚れが入っています。	燃料タンクを空にします。正しい種類の新しい燃料を燃料タンクに充填します。
	エアフィルターが汚れています。	エアフィルターを清掃します。
	キャブレターを調整する必要があります。	販売店にキャブレターの調整を依頼してください。
エンジンが過熱しています。	エンジンオイルレベルが低すぎます。	エンジンオイルを充填します。
	エアフローが十分ではありません。	エアフィルターとエアフィルターハウジングを清掃します。
	キャブレターを調整する必要があります。	販売店にキャブレターの調整を依頼してください。
高速運転中にエンジンが失火する。	スパークプラグの電極間距離が狭すぎます。	電極間距離を調整します。
通常の負荷時にエンジンから異音が出る。	ガソリンの種類が誤っています。	燃料タンクとキャブレターから燃料を抜き取ります。新しいガソリンを充填します。参照：燃料の充填方法 192 ページ。問題が解決しない場合は、最寄りの販売店にご相談ください。

問題	考えられる原因	解決策
エンジンがアイドリング速度でスムーズに動作しない。	スパークプラグに汚れや損傷があるか、電極間距離が広すぎます。	電極間距離を調整するか、スパークプラグを交換します。
	キャブレターを調整する必要があります。	キャブレターを調整します。
	エアフィルターが汚れています。	エアフィルターを清掃します。

## 搬送、保管、廃棄

### 搬送と保管

- 本製品と燃料を保管、搬送する場合は、漏れや煙がないことを確認してください。電気装置やボイラーなどからの火花や裸火により、火災が発生する場合があります。
- 燃料を保管、搬送する場合は必ず、認証されたコンテナを使用してください。
- 本製品を長期間、保管場所に入れる場合は、燃料タンクを空にしてください。燃料は適切な廃棄場所に廃棄してください。
- 搬送中は本製品を安全に接続して、損傷や事故を防止してください。

- 本製品は鍵のかかる場所に保管して、子供や許可を得ていない人が近づけないようにしてください。
- 本製品は、乾燥した霜の降りない場所に保管します。

### 廃棄

- 地域のリサイクル要件および適用される法規に従ってください。
- すべての化学物質（エンジンオイルや燃料など）はサービスセンターまたは適切な廃棄場所に廃棄してください。
- 本製品が不要になった場合は、Husqvarna 販売店に送付するか、リサイクル施設で廃棄してください。

## 主要諸元

### 主要諸元

	LC 140P	LC 140SP
<b>エンジン</b>		
ブランド	Husqvarna	Husqvarna
エンジンモデル名	HS 123A	HS 123A
エンジンタイプ	1 シリンダー、4 ストローク、強制空冷、OHV	1 シリンダー、4 ストローク、強制空冷、OHV
排気量、cm <sup>3</sup>	123	123
回転速度、r/min	3000	3000
公称エンジン出力、kW <sup>94</sup>	1.95	1.95
<b>イグニションシステム</b>		
スパークプラグ	ハスクバーナ HQT-7	ハスクバーナ HQT-7
電極ギャップ、mm	0.7～0.8	0.7～0.8

<sup>94</sup> 表示エンジンの電気定格は、(指定 r/min での)平均実質電気出力で、SAE 基準 J1349/ISO1585 で測定したエンジンモデル向けの一般生産エンジンに対応しています。大量生産用エンジンは、この値と異なることがあります。最終製品に据え付けたエンジンの実際の電気出力は、運転スピード、環境状態およびその他の値によって異なります。

	LC 140P	LC 140SP
<b>燃料および潤滑システム</b>		
エンジンの潤滑タイプ	はねかけ式	はねかけ式
燃料タンク容量、リットル	0.9	0.9
オイルタンク容量、リットル	0.5	0.5
エンジンオイル <sup>95</sup>	Husqvarna SAE 30、 Husqvarna SAE 5W-30 Synthetic、Husqvarna SAE 10W-40	Husqvarna SAE 30、 Husqvarna SAE 5W-30 Synthetic、Husqvarna SAE 10W-40
<b>質量</b>		
燃料タンクが空の場合 ( kg )	25.2	26.8
<b>騒音排出<sup>96</sup></b>		
音響パワーレベル、測定、dB ( A )	93	93
音響パワーレベル、保証、L <sub>WA</sub> dB ( A )	94	94
<b>サウンドレベル<sup>97</sup></b>		
使用者の耳における音圧レベル、dB ( A )	82	82
<b>振動レベル<sup>98</sup></b>		
ハンドルバーの振動レベル、m/s <sup>2</sup>	5.6	7.6
<b>カッティング装置</b>		
刈高、mm	25-75	25-75
刈幅、mm	400	400
カッティングシステム	集草 / 後方排出	集草 / 後方排出
ブレード - 標準	集草 5873863-10	集草 5873863-10
グラスキャッチャーの容量、リットル	50	50
<b>ドライブ</b>		
自走速度、km/h	-	4

<sup>95</sup> API SJ 以上のエンジンオイルを使用してください。+5 °C 以下の気温で SAE-30 オイルを使用した場合、エンジンが十分に潤滑されない可能性があります。これにより、エンジンが損傷するおそれがあります。低温に適したオイルについては、エンジンオイルの交換方法 195 ページを参照してください。エンジンのマニュアル ( 同梱されている場合 ) に記載されている粘度チャートを参照し、予想される外気温に基づいて最適な粘度を選択してください。

<sup>96</sup> 環境における騒音の排出は、EC 指令 2000/14/EC に従って、音響パワー ( L<sub>WA</sub> ) として測定。

<sup>97</sup> 報告データによれば、騒音音圧レベルの一般的な統計上のばらつき ( 標準偏差 ) は、1.2 dB ( A ) です。

<sup>98</sup> 報告データによれば、等価振動レベルの一般的な統計上のばらつき ( 標準偏差 ) は、0.2 m/s<sup>2</sup> です。

# 適合宣言

## EU 適合宣言

ハスクバーナ社 ( Husqvarna AB, SE-561 82 Huskvarna, Sweden、電話番号 : +46-36-146500 ) は、単独責任のもとで、以下の製品の適合を宣言します。

名称	芝刈機
ブランド	Husqvarna
タイプ / モデル	LC 140P, LC 140SP
ID	2022 年以降の製造番号

が以下の EU 指令および規制を完全に順守し、

規制	名称
2006/42/EC	「機械類に関する」
2014/30/EU	「電磁環境適合性に関する」
2000/14/EC	「環境への騒音排出に関する」
2011/65/EU	「電気・電子製品に含まれる特定有害物質の使用制限に関する」

および以下の規格または技術仕様が適用されています :  
EN ISO 5395-1:2013/A1:2018, EN ISO 5395-2:2013/  
A1:2016/A2:2017, EN ISO 14982:2009, EN IEC  
63000:2018

試験機関 : 0404, RISE SMP Svensk Maskinprovning AB,  
Box 4053, SE-904 03 Umeå, Sweden が評議会指令  
2000/14/EC 適合性評価補足 VI の準拠を確認しました。

騒音排出に関する詳細 : 主要諸元 198 ページ。

Huskvarna, 2022-09-27



開発マネージャー / ガーデン製品担当 Claes Losdal,  
Husqvarna AB

正式代表兼技術文書担当





---

# TURINYS

---

Įvadas.....	201	Variklio triukšų šalinimas.....	210
Sauga.....	202	Transportavimas, saugojimas ir utilizavimas.....	211
Surinkimas.....	204	Techniniai duomenys.....	211
Naudojimas.....	205	Atitikties deklaracija.....	213
Techninė priežiūra.....	206		

---

## Įvadas

---

### Gaminio aprašas

Šis produktas yra savaeigė sukamoji vejapjovė. Žolė renkama į žolės rinktuvą. Jei norite, kad žolė būtų išmetama per galą, išimkite žolės rinktuvą.

### Gaminio apžvalga

(Pav. 1)

1. Rankena / valdymo rankena
2. Pavaros rankena (LC 140SP)
3. Starterio virvės rankena
4. Žolės rinktuvas
5. Degalų bakelis
6. Oro filtras
7. Uždegimo žvakė
8. Pjovimo gaubtas
9. Duslintuvas
10. Alyvos bakelio dangtelis
11. Pjovimo aukščio reguliavimo svirtis
12. Galinis gaubtas
13. Variklio stabdymo rankena
14. Ženkliai
15. Apatinės rankenos komplektas
16. Apatinė rankena
17. Naudojimo instrukcija
18. Alyvos piltuvėlis

### Simboliai ant gaminio

- (Pav. 2) **ĮSPĖJIMAS!** Būkite atsargūs ir tinkamai naudokite gaminį. Šis gaminys gali rimtai sužeisti arba pražudyti operatorių arba aplinkinius.
- (Pav. 3) Prieš naudodami, atidžiai perskaitykite naudojimo instrukciją ir įsitikinkite, kad viską gerai supratote.
- (Pav. 4) Saugokitės išmetamų ir rikošetu atšokusių daiktų.
- (Pav. 5) Asmenims ir gyvūnams būtina laikytis saugaus atstumo nuo darbo zonos.

### Numatytasis naudojimas

Gaminį naudokite žolei pjauti. Nenaudokite gaminio kitiems darbams.

(Pav. 6) Įspėjimas. Saugokite rankas bei kojas ir neikiškite jų prie besisukančio peilio.

(Pav. 7) Įspėjimas. Saugokite rankas bei kojas ir neikiškite jų prie besisukančių dalių.

(Pav. 8) Prieš taisydami ar prižiūredami sustabdykite variklį ir atjunkite uždegimo kabelį.

(Pav. 9) Šis įrenginys atitinka jam taikomas EB direktyvas.

(Pav. 10) Triukšmo emisijos į aplinką ženklinais atitinka ES ir Jungtinės Karalystės direktyvas bei reglamentus ir Naujojo Pietų Velso įstatymą „2017 m. aplinkos apsaugos (triukšmo kontrolės) reglamentas“. Gaminio garantuotas garso galios lygis nurodytas *Techniniai duomenys psl. 211* ir etiketėje.

(Pav. 11) Šis gaminys atitinka taikytinų JK reglamentų nuostatas.

(Pav. 12) Gaisro pavojus.

(Pav. 13) Neįkvėpkite išmetamųjų dujų. Variklio išmetamosiose dujose yra anglies monoksido – nuodingų, bekvapių ir labai pavojingų dujų. Nepaleiskite variklio patalpose ar uždaroje erdvėje.

(Pav. 14) Įkaitęs paviršius.

(Pav. 15) Pripilkite į variklį alyvos prieš paleisdami gaminį.

**Pasižymėkite:** Kiti ant gaminio pateikti simboliai (lipdukai), skirti kitų komercinių teritorijų sertifikavimo reikalavimams.

## „Euro V“ standartas



**PERSPĖJIMAS:** Variklio modifikavimas panaikina šio produkto ES tipo patvirtinimą.

## Produkto pažeidimai

Mes neatsakome už mūsų gaminio sugadinimą, jei:

- gaminys netinkamai suremontuotas;
- gaminys suremontuotas naudojant kito gamintojo arba gamintojo nepatvirtintas dalis;
- gaminys turi kito gamintojo arba gamintojo nepatvirtintą priedą;
- gaminys suremontuotas ne patvirtintame techninės priežiūros centre arba jį suremontavo ne patvirtintas atstovas.

## Sauga

### Saugos ženklų reikšmės

Išpėjimai, perspėjimai ir pastabos yra skirtos atkreipti dėmesį į ypač svarbias vadovo dalis.



**PERSPĖJIMAS:** Naudojamas, kai naudotojui ar šalia esantiems asmenims kyla mirtino arba sunkaus sužeidimo pavojus arba, jei nesilaikoma vadove pateiktų nurodymų.



**PASTABA:** Naudojamas, kai kyla pavojus sugadinti gaminį, kitas medžiagas arba padaryti žalą aplinkai, jei nesilaikoma vadove pateiktų nurodymų.

**Pasižymėkite:** Naudojamas papildomai informacijai apie konkrečią situaciją pateikti.

### Bendrieji saugos nurodymai



**PERSPĖJIMAS:** Prieš naudodami gaminį, perskaitykite toliau esančius išpėjimus.

- Netinkamai arba neatidžiai naudojant šis gaminys yra pavojingas. Jei nesilaikysite saugos nurodymų, kyla sužeidimų arba mirties pavojus.
- Šis gaminys veikdamas sukuria elektromagnetinį lauką. Tam tikromis aplinkybėmis šis laukas gali trikdyti aktyviųjų arba pasyviųjų medicininių implantų veiklą. Kad sumažėtų sunkių ar mirtinų sužeidimų pavojus, medicininių implantų turintiems asmenims rekomenduojame prieš naudojant šį gaminį pasitarti su gydytoju ir implanto gamintoju.
- Visada elkitės atsargiai ir vadovaukitės sveiku protu. Jei tiksliai nežinote, kaip naudoti gaminį konkrečioje situacijoje, sustabdykite darbą ir prieš tęsdami darbą pasitarkite su „Husqvarna“ pardavimo atstovu.
- Atsiminkite, kad už nelaimingus atitikimus, kurių metu nukentės asmenys ar turtas, bus atsakingas naudotojas.

- Rūpinkitės gaminio švara. Įsitinkite, kad galite aiškiai perskaityti ženklus ir lipdukus.
- Neleiskite kitiems naudotis gaminiumi, jei neįsitikinote, kad jie perskaitė ir suprato naudojimo instrukcijos turinį.
- Neleiskite gaminio naudoti vaikams.
- Pasirūpinkite, kad vaikai būtų toliau nuo darbo zonos. Būtinu nuolatine atsakingo suaugusiojo priežiūra.
- Neleiskite gaminio naudoti su instrukcijomis nesusipažinusiems asmenims.
- Visada priežiūrėkite gaminį naudojančią fizinę arba protinę negalią turintį asmenį. Būtinu nuolatine atsakingo suaugusiojo priežiūra.
- Nedirbkite su gaminiumi, jeigu esate pavargę, sergate arba esate apsvaigę alkoholio, narkotinių medžiagų ar vaistų. Tai neigiamai veikia jūsų regėjimą, nuovoką ar koordinaciją.
- Nenaudokite gaminio, jei jis yra pažeistas arba tinkamai neveikia.
- Nekeiskite gaminio ir nenaudokite jo, jei jį galėjo pakeisti kiti.
- Nekeiskite variklio greičio valdymo reguliavimo.

### Sauga darbo vietoje



**PERSPĖJIMAS:** Prieš naudodami gaminį, perskaitykite toliau esančius išpėjimus.

- Prieš naudodami gaminį nuo darbo zonos pašalinkite tokius objektus, kaip šakos, šakelės ir akmenys.
- Atsitraukę į pjovimo įrangą objektai gali atšokti ir sužeisti asmenis bei sugadinti daiktus. Šalia esantiems asmenims ir gyvūnams būtina laikytis saugaus atstumo nuo gaminio.
- Gaminio niekuomet nenaudokite blogu oru, pvz., kai pakyla rūkas, lyja, pučia stiprus vėjas, stipriai šąla ir gali žaibuoti. Darbas gaminiumi blogu oru arba drėgnose ar šlapiose vietose yra varginantis. Blogu oru gali susidaryti pavojingos sąlygos, pvz., slidūs paviršiai.
- Saugokitės asmenų, daiktų ir tam tikrų situacijų kurios gali neleisti saugiai naudoti gaminio.

- Saugokitės kliūčių, pvz., šaknų, akmenų, šakelių, duobių ir griovių. Aukštoje žolėje kliūtys gali būti nematomos.
- Gali būti pavojinga pjauti žolę įkalnėse. Nenaudokite gaminio, jei šlaitas yra statenesis nei 15°.
- Šlaitus pjaukite skersai. Nevažiuokite į viršų ir žemyn.
- Būkite atsargūs artėdami prie nematomų kampų ir daiktų, kurie užstoja vaizdą.

## Darbo sauga



**PERSPĖJIMAS:** Prieš naudodami gaminį, perskaitykite toliau esančius įspėjimus.

- Gaminį naudokite tik veją žolei pjauti. Neleidžiama jo naudoti kitoms užduotims atlikti.
- Naudokite asmenines apsaugines priemones. Žr. *Asmeninės apsauginės priemonės psl. 203*.
- Įsitikinkite, kad žinote, kaip greitai sustabdyti variklį nelaimės atveju.
- Niekada neužveskite variklio uždaroje erdvėje ar netoli degių medžiagų. Variklio išmetamosios dujos yra karštos, jose gali būti kibirkščių, kurios gali sukelti gaisrą.
- Nenaudokite gaminio tinkamai neuždengę peilio ir neuždėję kitų dangčių. Netinkamai uždėtas peilis gali atsilaisvinti ir sužeisti.
- Užtikrinkite, kad peilis neatsitrenktų į tokius objektus, kaip akmenys ir šaknys. Tai gali sugadinti peilį ir sulenkti variklio veleną. Sulenkta ašis sukelia didelę vibraciją ir kyla didžiulis pavojus, kad peilis atsilaisvins.
- Jei į peilį atsitrenkia objektas arba susidaro vibracijos, nedelsdami sustabdykite gaminį. Atjunkite uždegimo kabelį nuo uždegimo žvakės. Patikrinkite, ar gaminys neapgadintas. Pataisykite sugadintas dalis arba remonto darbus perleiskite įgaliotajam techninės priežiūros atstovui.
- Niekada neprijunkite variklio stabdžio rankenos prie rankenos visam laikui, kai variklis veikia.
- Padėkite gaminį ant stabilaus, plokščio paviršiaus ir paleiskite jį. Patikrinkite, ar peilis noliečia žemės ar kokių kitų daiktų.
- Visada būkite už gaminio, kai jį naudojate.
- Prižiūrėkite, kad visi ratukai būtų ant žemės ir abi rankas laikykite ant rankenos, kai naudojate gaminį. Saugokite rankas bei kojas ir neikiškite jų prie besisukančių peilių.
- Dirbant varikliui nepakreipkite gaminio.
- Būkite atsargūs, kai gaminį traukiate atgal.
- Dirbant varikliui nepakelkite gaminio. Jei gaminį turite pakelti, pirmiausia sustabdykite variklį ir atjunkite uždegimo kabelį nuo uždegimo žvakės.
- Naudodami gaminį neikite atgal.
- Veždami įrenginį per zonas be žolės, pvz., žvirgždo, akmenų ir asfalto takelius, sustabdykite variklį.

- Dirbant varikliui nebėkite su gaminiumi. Naudodami gaminį visada eikite.
- Prieš pakeisdami pjovimo aukštį pirmiausia išjunkite variklį. Draudžiama reguliuoti, kai veikia variklis.
- Niekada nepaleiskite gaminio iš akių, kai veikia variklis. Išjunkite variklį ir įsitikinkite, kad pjovimo įranga nesisuka.

## Naudojimo saugos instrukcijos

### Asmeninės apsauginės priemonės



**PERSPĖJIMAS:** Prieš naudodami gaminį, perskaitykite toliau esančius įspėjimus.

- Asmeninės apsauginės priemonės nepadės visiškai išvengti pavojaus susižeisti, tačiau nelaimingo atsitikimo atveju mažiau nukentėsite. Leiskite prekybos atstovui padėti pasirinkti tinkamą įrangą.
- Jei triukšmo lygis viršija 85 dB, naudokite klausos apsaugą
- Avėkite patvarius, neslystančius batus. Neavėkite atvirų batų ir nebūkite basi.
- Dėvėkite storas, ilgas kelnes.
- Kai būtina, pvz., montuojant, apžiūrint arba valant pjovimo įrangą, užsimaukite apsaugines pirštines.

### Gaminio apsauginės priemonės



**PERSPĖJIMAS:** Prieš naudodami gaminį, perskaitykite toliau esančius įspėjimus.

- Nenaudokite gaminio su saugos įtaisais, kurie yra pažeisti arba tinkamai neveikia.
- Reguliariai tikrinkite apsaugines priemones. Jei saugos įtaisai pažeisti arba tinkamai neveikia, kreipkitės į Husqvarna techninės priežiūros specialistą.
- Neatlikite saugos įtaisų pakeitimų.

### Atlikite pjovimo gaubto patikrą.

Pjovimo gaubtas sumažina gaminio vibracijas ir sumažina disko keliamą sužeidimų pavojų.

- Apžiūrėkite pjovimo gaubtą, kad įsitikintumėte, jog nėra pažeidimų, pvz., įtrūkių.

### Norėdami patikrinti variklio stabdžio rankeną

Variklio stabdžio rankena sustabdo variklį. Atleidus variklio stabdžio rankeną variklis sustoja.

- Paleiskite variklį, o tada atleiskite variklio stabdymo rankeną. Jei variklis nesustoja per 3 sekundes, paprašykite, kad įgaliotasis „Husqvarna“ techninės priežiūros atstovas sureguliuotų variklio rankeną. (Pav. 16)

## Duslintuvas

Duslintuvas iki minimumo sumažina triukšmo lygį ir nukreipia nuo naudotojo variklio išmetamąsias dujas.

Nenaudokite gaminio, jei duslintuvo nėra arba jei jis yra pažeistas. Pažeistas duslintuvas skleidžia daugiau triukšmo ir kelia didesnę gaisro pavojų.



**PERSPĖJIMAS:** Darbo metu ir tada, kai variklis veikia tuščiąja eiga, duslintuvas labai įkaista ir kurį laiką išlieka karštas. Elkitės atsargiai su degiomis medžiagomis ir (arba) garais, kad išvengtumėte gaisro.

## Degalų naudojimo sauga



**PERSPĖJIMAS:** Prieš naudodami gaminį, perskaitykite toliau esančius įspėjimus.

- Nepaleiskite gaminio, jei ant gaminio yra degalų arba variklio alyvos. Nuvalykite nepageidaujimą kurą / alyvą ir palaukite, kol gaminys išdžius.
- Jei degalais apsiptylėte drabužius, nedelsdami persirenkite.
- Neapsipilkite kūno kuru, nes jis gali sužaloti. Apsipylę kūną kuru, jį nusiplaukite muilu ir vandeniu.
- Neužveskite gaminio, jei iš variklio sunkiasi skysčiai. Reguliariai tikrinkite, ar iš variklio nesisunkia skysčiai.
- Su degalais elkitės atsargiai. Kuras yra degus, o jo garai – sprogūs, todėl neatsargiai elgiantis galima susižaloti arba žūti.
- Neįkvėpkite kuro garų, nes jie gali sužaloti. Pasirūpinkite tinkamu vėdinimu.
- Nerūkykite greta degalų arba variklio.
- Nedėkite šiltų objektų greta kuro arba variklio.
- Nepilkite kuro, kai variklis užvestas.
- Prieš pildami kurą įsitikinkite, ar variklis ataušęs.
- Prieš pildami degalus, lėtai atidarykite degalų bako dangtelį ir atsargiai išleiskite slėgį.
- Nepilkite į variklį kuro būdami patalpoje. Dėl nepakankamos ventilacijos galima susižaloti arba žūti uždusęs arba apsinuodijus anglies monoksidu.

- Gerai uždarykite degalų bakelio dangtelį. Nepakankamai stipriai užsukus degalų bakelį kyla gaisro pavojus.
- Prieš pradėdami darbą patraukite gaminį mažiausiai 3 m (10 pėdų) nuo vietos, kurioje pylėte degalus.
- Nepripilkite sklidino degalų bako. Šildami degalai plečiasi. Palikite vietos degalų bako viršuje.
- Niekada nelaiykite įrenginio, kai degalų bake yra degalų, pastate, kuriame yra užsidegimo šaltinių, pavyzdžiui, vandens ir pastatų šildytuvų arba drabužių džiovintuvų. Prieš palikdami prietaisą bet kokiaje patalpoje leiskite varikliui atvėsti.

## Priežiūros saugos instrukcijos



**PERSPĖJIMAS:** Prieš naudodami gaminį, perskaitykite toliau esančius įspėjimus.

- Variklio išmetamosiose dujose yra anglies monoksido – nuodingų, bekvapių ir labai pavojingų dujų. Nepaleiskite variklio patalpose ar uždaroje erdvėje.
- Prieš atlikdami techninę gaminio priežiūrą, sustabdykite variklį ir atjunkite uždegimo kabelį nuo uždegimo žvakės.
- Pjovimo įrangos techninės priežiūros darbus atlikite apsimovę apsaugines pirštines. Peilis labai aštrus ir gali lengvai įpjauti.
- Gamintojo nepatvirtinti priedai ir gaminio pakeitimai gali rimtai ar net mirtinai sužeisti. Nekeiskite gaminio. Visada naudokite tik gamintojo patvirtintus priedus.
- Jei techninė priežiūra atliekama netinkamai ir nereguliariai, padidėja sužeidimų ir žalos gaminiui pavojus.
- Atlikite tik savininko vadove nurodytus techninės priežiūros darbus. Visus kitus techninės priežiūros darbus turi atlikti patvirtintas „Husqvarna“ techninės priežiūros atstovas.
- Patvirtintas „Husqvarna“ techninės priežiūros atstovas turi reguliariai atlikti gaminio techninę priežiūrą.
- Pakeiskite pažeistas, sulūžusias arba susidėvėjusias dalis.

## Surinkimas

### Rankenos surinkimas

1. Įstumkite varžtą (A) pro rankeną (B), plastikinę poveržlę (C) ir rankenos atraminį laikiklį (D). (Pav. 17)
2. Iki galo priveržkite veržlę (E).
3. Įstumkite varžtą (F) pro poveržlę (G) ir rankenos atraminį laikiklį.
4. Iki galo priveržkite rankenėlę (H).

5. Sulygiuokite rankenos angas su apatinės rankenos angomis ir prisukite varžtus, poveržles ir rankenėles. Iki galo priveržkite rankenėles. (Pav. 18)
6. Kabelius prie rankenų pritvirtinkite laido laikikliams. (Pav. 19)

**Pasižymėkite:** Įsitikinkite, kad kabeliai nėra per daug įtempti. Per smarkiai įtemptus galima pažeisti kabelį, kai rankena nulenkiama į transportavimo padėtį.

7. Laidus užkabinkite ant kablo rankenos apačioje. (Pav. 20)

## Rankenos aukščio reguliavimas

1. Atsukite apatinės rankenėles. (Pav. 21)
2. Ištraukite rankenėlę, poveržlę ir varžtą kairėje ir dešinėje pusėje.
3. Galima nustatyti 2 skirtingus rankenos aukščius. Įstatykite varžtą į vieną iš 2 angų kairėje ir dešinėje pusėje. (Pav. 22)
4. Prisukite varžtus, poveržles ir rankenėles.
5. Stumkite rankenėles į viršų link rankenos, kol jos sustos ir išgirsite spragtelėjimą. Iki galo priveržkite rankenėles. (Pav. 23)

## Gaminio paruošimas transportuoti

1. Išimkite žolės rinktuvą.
2. Atsukite rankenėles rankenos viršuje ir nulenkite rankeną atgal. (Pav. 24)
3. Atsukite apatinės rankenėles.
4. Stumkite rankenėles iki apatinio griovelių krašto kairėje ir dešinėje gaminio pusėje. (Pav. 25)

5. Nulenkite rankeną pirmyn. (Pav. 26)

## Gaminio paruošimas naudoti

1. Kelkite rankeną, kol apatinė rankena užsifiksuos darbinėje padėtyje. (Pav. 27)
2. Stumkite rankenėles į viršų link rankenos, kol jos sustos ir išgirsite spragtelėjimą.
3. Iki galo priveržkite rankenėles. (Pav. 28)
4. Pakelkite viršutinę valdymo rankenos dalį.
5. Iki galo priveržkite rankenėles. (Pav. 29)

## Žolės rinktuvo montavimas

1. Uždėkite viršutinę žolės rinktuvo dalį ant apatinės dalies. (Pav. 30)
2. Pritvirtinkite žolės rinktuvo rėmą fiksatoriais. (Pav. 31)
3. Pakelkite galinį dangtelį.
4. Pritvirtinkite žolės rinktuvo kabliukus prie viršutinio važiuoklės krašto. (Pav. 32)
5. Įdėkite apatinę žolės rinktuvo dalį į žolės išmetimo kanalą.

## Naudojimas

### Įvadas



**PERSPĖJIMAS:** Prieš naudodami gaminį perskaitykite ir supraskite saugos skyriaus informaciją.

### Husqvarna Connect

Husqvarna Connect yra nemokama programėlė, skirta mobiliesiems įrenginiams. Programėlė Husqvarna Connect suteikia Husqvarna gaminiiui papildomas funkcijas:

- Papildoma informacija apie gaminį.
- Informacija ir patarimai apie gaminio dalis ir priežiūrą.

### Norėdami pradėti naudoti Husqvarna Connect

1. Atsisiųskite „Husqvarna Connect“ programėlę į mobilųjį įrenginį.
2. Užsiregistruokite „Husqvarna Connect“ programėlėje.
3. Norėdami prisijungti ir užregistruoti gaminį, vykdykite „Husqvarna Connect“ programėlėje pateiktas instrukcijas.

### Prieš naudodami gaminį

1. Atidžiai perskaitykite naudojimo instrukciją ir įsitikinkite, kad viską gerai supratote.

2. Apžiūrėkite pjovimo įrangą ir įsitikinkite, kad ji tinkamai prijungta ir sureguliuota. Žr. *Pjovimo įrangos patikrinimas psl. 207.*
3. Užpildykite kuro bakelį. Žr. *Degalų pripylimas psl. 205.*
4. Pripilkite alyvos bakelį ir patikrinkite alyvos lygį. Žr. *Alyvos lygio tikrinimas psl. 208.*

### Degalų pripylimas

Jei įmanoma, naudokite mažo taršos laipsnio / alkilato benzina. Jei mažo taršos laipsnio / alkilato benzino naudoti negalite, naudokite geros kokybės bešvinį benzina arba benzina su švinu, kurio oktaninis skaičius yra ne mažesnis nei 91.



**PASTABA:** Nenaudokite benzino, kurio oktaninis skaičius yra mažesnis nei 91. Antraip galima sugadinti gaminį.



**PASTABA:** Degalų filtrą keiskite kartą per metus arba dažniau, jei reikia. Naują degalų filtrą galite įsigyti iš Husqvarna pardavimo atstovo.



**PASTABA:** Prieš pildami degalus visada išjunkite variklį.



**PASTABA:** Nenaudokite slėginių užvedimo skysčių.

1. Lėtai atsukite degalų bakelio dangtelį, kad sumažintumėte slėgį.
2. Lėtai pripilkite degalų iš kanistro. Jei išliejate degalus, nuvalykite juos audiniu ir palaukite, kol likę degalai išdžiūs. (Pav. 33)
3. Nuvalykite sritį aplink degalų bakelio dangtelį.
4. Gerai uždarykite degalų bakelio dangtelį. Nepakankamai stipriai užsukus degalų bakelį kyla gaisro pavojus.
5. Prieš pradėdami darbą patraukite gaminį mažiausiai 3 m (10 pėdų) nuo vietos, kurioje pylėte degalus.

## Pjovimo aukščio nustatymas

1. Kad padidintumėte pjovimo aukštį, pjovimo aukščio svirtį palenkite atgal.
2. Kad sumažintumėte pjovimo aukštį, pjovimo aukščio svirtį palenkite į priekį. (Pav. 34)



**PASTABA:** Nenustatykite per žemo pjovimo aukščio. Peiliai gali užkliudyti žemę, jei vejos paviršius nelygus.

## Įrenginio paleidimas

1. Įsitinkinkite, kada uždegimo kabelis prijungtas prie uždegimo žvakės.
2. Stovėkite už gaminio.
3. Laikykite variklio stabdymo rankeną prispaudę prie rankenos. (Pav. 35)
4. Dešine ranka laikykite starterio lynelį.
5. Lėtai patraukite starterio lynelį, kol pajusite pasipriešinimą.

## Techninė priežiūra

### Įvadas



**PERSPĖJIMAS:** Prieš atlikdami priežiūros darbus perskaitykite ir supraskite saugos skyriaus informaciją.

Visiems gaminio techninės priežiūros ir remonto darbams reikia specialių apmokymų. Garantuojame profesionalaus remonto ir techninės priežiūros darbų pasiekiamumą. Jei jūsų pardavėjas nėra techninės priežiūros atstovas, paprašykite jo informacijos apie artimiausią techninės priežiūros atstovą.

Išsamesnės informacijos žr. .

6. Tada stipriai patraukite, kad paleistumėte variklį.



**PERSPĖJIMAS:** Nevyniokite starterio virvės sau ant rankos.

## Ratų pavaros naudojimas

- Pavaros rankeną pastumkite valdymo rankenos kryptimi. (Pav. 36)
- Atleiskite pavaros rankeną, kad išjungtumėte pavarą, pvz., kai priartėjate prie kliūtis.
- Prieš patraukdami gaminį atgal, išjunkite pavarą ir pastumkite įrenginį į priekį apie 10 cm.

## Įrenginio sustabdymas

- Norėdami tik sustabdyti pavarą, atleiskite pavaros rankeną.
- Norėdami išjungti variklį, atleiskite variklio stabdymo rankeną.

## Gerų rezultatų gavimas

- Visada naudokite pagaląstą peilį. Atšipęs peilis netaisyklingai nupjauna ir žolės paviršius pagelsta. Be to, aštrus peilis naudoja mažiau energijos nei atšipęs.
- Nepjaukite daugiau nei 1/3 žolės ilgio. Pirmiausia nupjaukite nustatę didelį aukštį. Patikrinkite rezultatą ir sumažinkite pjovimo aukštį iki tinkamo lygio. Jeigu žolė tikrai aukšta, judėkite lėtai ir, jei reikia, pjaukite 2 kartus.
- Kiekvieną kartą pjaukite skirtingomis kryptimis, kad vejoje nesusidarytų dryžiai.
- Pjovimo dangtis turi būti visuomet švarus. Prikibusi žolė ir purvas vidinėje pjovimo dangčio dalyje gali turėti įtakos pjovimo rezultatams. Žr. *Pjovimo įrangos gaubto vidinio paviršiaus valymas psl. 207*.

## Techninės priežiūros grafikas



**PASTABA:** Įsitinkinkite, kad oro filtras yra tinkamai įdėtas ir nesiglaudžia prie žemės, kai keliate gaminį. Pavojus sugadinti variklį.

Techninės priežiūros intervalai apskaičiuojami pagal kasdienį gaminio naudojimą. Intervalai keičiasi, jei gaminys nenaudojamas kasdien.

Techninės priežiūros informaciją, pažymėtą \*, žr. *Gaminio apsauginės priemonės psl. 203*.

Techninė priežiūra	Kasdien	Kas mėnesį	Kas sezoną
Atlikti bendrąją apžiūrą	X		
Patikrinti alyvos lygį	X		
Pakeisti alyvą (pirmą kartą po 5 naudojimo valandų, tada kas 50 naudojimo valandų) <sup>99</sup>			X
Išvalyti gaminį	X		
Patikrinti pjovimo įrangą	X		
Patikrinti pjovimo gaubtą *	X		
Patikrinti variklio stabdymo rankeną *	X		
Patikrinti duslintuvą *		X	
Patikrinti uždegimo žvakę. Esant reikalui išvalykite arba pakeiskite uždegimo žvakę			X
Apžiūrėti oro filtrą	X		
Išvalyti oro filtrą <sup>100</sup>		X	
Pakeisti oro filtrą			X
Patikrinti degalų sistemą			X
Išvalyti cilindro aušinimo briaunas		X	
Patikrinti ir sureguliuoti sankabos trosą (LC 140SP)			X

## Bendroji apžiūra

- Įsitinkinkite, kad gaminio veržlės ir varžtai yra tinkamai priveržti.

## Gaminio valymas iš išorės

- Lapus, žolę ir purvą nuvalykite šepečiu.
- Apžiūrėkite ar neužsikūšusi oro įsiurbimo anga variklio viršuje.
- Gaminio neplaukite aukšto slėgio plovimo aparatu.
- Jei gaminį valote vandeniu, nepilkite vandens tiesiai ant variklio.

## Pjovimo įrangos gaubto vidinio paviršiaus valymas

- Ištuštinkite degalų bakelį.
- Paverskite gaminį. Įsitinkinkite, kad uždegimo žvakė nukreipta į viršų.



**PASTABA:** Jei gaminį paversite ant oro filtro, gali sugadinti variklį.

- Vandeniu aplikite vidinį pjovimo įrangos gaubto paviršių.

## Pjovimo įrangos patikrinimas



**PERSPĖJIMAS:** Kad įranga netyčia nepasileistų, ištraukite uždegimo kabelį iš uždegimo žvakės.



**PERSPĖJIMAS:** Pjovimo įrangos techninės priežiūros darbus atlikite apsimovę apsaugines pirštines. Peilis labai aštrus ir gali lengvai įpjauti.

- Patikrinkite, ar pjovimo įrangą nepažeista ir neįskilusi. Visada pakeiskite pažeistą pjovimo įrangą.
- Apžiūrėkite peilį, ar jis nepažeistas ir neatšipęs.

**Pasižymėkite:** Pagalindus peilį jį reikia subalansuoti. Pagaląsti, pakeisti ir subalansuoti peilį turi techninės priežiūros centro darbuotojai. Jei susidūrėte su kliūtimi, dėl kurios įrenginys sustojo, pakeiskite pažeistą peilį. Leiskite techninės priežiūros centro

<sup>99</sup> Jei gaminys naudojamas dideliu pajėgumu arba esant aukštai aplinkos temperatūrai, keiskite variklio alyvą kas 25 valandas.

<sup>100</sup> Valykite dažniau, jei gaminys naudojamas aplinkoje, kurioje yra daug dulkių arba oru sklindančių dalelių. Pakeiskite oro filtrą, jei jis smarkiai užterštas.

darbuotojams nuspręsti, ar peilį dar galima galąsti, ar jau reikia keisti.

## Disko keitimas

1. Užfiksuokite peilį medžio bloku. (Pav. 37)
2. Išimkite peilio varžtą ir spyruoklinę poveržlę.
3. Nuimkite diską.
4. Patikrinkite peilio atramą ir peilio tvirtinimo varžtą, ar jie nepažeisti.
5. Patikrinkite variklio veleną, kad įsitikintumėte, ar jis nesulenktas.
6. Įdėję naują peilį nukreipkite jo kampus pjovimo įrangos gaubto kryptimi. (Pav. 38)
7. Įsitikinkite, kad peilis sulygiuotas su peilio veleno centru.
8. Užfiksuokite peilį medžio bloku. Uždėkite spyruoklės poveržlę ir pritvirtinkite varžtą ir poveržlę 45–60 Nm sukimo momento jėga. (Pav. 39)
9. Ranka pasukite peilį ir patikrinkite, ar jis laisvai sukasi.



**PERSPĖJIMAS:** Apsimaukite pirštines sunkiam darbui. Peilis labai aštrus ir gali lengvai įpjauti.

10. Paleiskite gaminį, kad išbandytumėte peilį. Jei peilis netinkamai uždėtas, gaminys vibruoja arba pjaunama nepakankamai gerai.

## Alyvos lygio tikrinimas



**PASTABA:** Per mažas alyvos kiekis gali sukelti variklio gedimus. Prieš paleisdami gaminį patikrinkite alyvos lygį.

1. Pastatykite gaminį ant lygaus paviršiaus.
2. Atsukite ir nuimkite alyvos bakelio dangtelį su pritvirtintu alyvos lygio matuokliu.
3. Nuvalykite alyvą nuo alyvos lygio matuoklio.
4. Visiškai įstumkite alyvos lygio matuoklį į alyvos bakelį, kad išsiaiškintumėte alyvos lygį. Neuždėkite alyvos bakelio dangtelio.
5. Atsukite ir nuimkite alyvos bakelio dangtelį su pritvirtintu alyvos lygio matuokliu.
6. Alyva ant matuoklio rodo esamą alyvos lygį.
7. Jei alyvos lygis žemas, įpilkite variklio alyvos ir vėl patikrinkite alyvos lygį. (Pav. 40)

**Pasižymėkite:** Naudokite piltuvėlį, kad išvengtumėte taškymosi.

8. Užsukite alyvos bakelio dangtelį, jei alyvos lygis yra tinkamas.

## Norėdami pakeisti variklio alyvą



**PERSPĖJIMAS:** Iš karto sustabdžius variklį variklio alyva yra labai karšta. Prieš išleidami variklio alyvą, leiskite varikliui atvėsti. Jei užsipilsite variklio alyvos ant odos, nuplaukite ją muilu ir vandeniu.

(Pav. 41)

1. Eksploatuokite gaminį, kol degalų bakelis ištuštės.
2. Nuimkite uždegimo kabelį nuo uždegimo žvakės.
3. Atsukite ir nuimkite alyvos bakelio dangtelį su pritvirtintu alyvos lygio matuokliu.
4. Po gaminiu padėkite konteinerį, į kurį surinksite variklio alyvą.
5. Pakreipkite gaminį arba išleiskite variklio alyvą iš alyvos bakelio naudodami alyvos siurbį (priedas).
6. Pripilkite naujos variklio alyvos. Rekomenduojamo tipo ieškokite *Techniniai duomenys psl. 211*.
7. Patikrinkite alyvos lygį. Žr. *Alyvos lygio tikrinimas psl. 208*.
8. Užsukite alyvos bakelio dangtelį, jei alyvos lygis yra tinkamas.

## Polistirolro filtro valymas



**PASTABA:** Neužveskite variklio, kai oro filtrai yra išimti. Nešvarus oras greitina variklio dėvėjimąsi.

1. Nuimkite oro filtro gaubtą (A). (Pav. 42)
2. Išimkite polistirolro filtrus (B).



**PASTABA:** Patikrinkite, ar polistirolro filtrai nėra pažeisti arba nusidėvėję. Pakeiskite visus pažeistus polistirolro filtrus.

3. Polistirolro filtrus nuvalykite muilu ir vandeniu.
4. Nuplaukite polistirolro filtrus švariu vandeniu.
5. Nugręžkite vandenį iš polistirolro filtrų ir palikite juos išdžiūti.



**PASTABA:** Nenaudokite suspausto oro. Jis gali pažeisti polistirolro filtrą.

6. Sutepkite polistirolro filtrus variklio alyva.
7. Nuspauskite polistirolro filtrą švaria šluoste, kad pašalintumėte nepageidaujamus riebalus.
8. Įstatykite polistirolro filtrus. Įsitikinkite, kad polistirolro filtrai visiškai sandarūs oro filtro laikiklyje.
9. Uždėkite oro filtro gaubtą.



## Žvakės patikra



**PASTABA:** Visada naudokite rekomenduojamo tipo žvakes. Netinkamo tipo uždegimo žvakė gali pažeisti gaminį.

- Patikrinkite uždegimo žvakę, jei variklio galingumas mažas, variklį sunku paleisti arba jis netinkamai veikia tuščiąja eiga.
- Norėdami sumažinti pašalinių medžiagų atsiradimą ant uždegimo žvakės elektrodų, laikykitės šių instrukcijų:
  - a) Įsitinkinkite, kad tinkamai sureguliuotas greitis tuščiąja eiga.
  - b) Įsitinkinkite, kad naudojate tinkamą kuro mišinį.
  - c) Patikrinkite, ar oro filtras švarus.
- Jeigu uždegimo žvakė purvina, nuvalykite ją ir patikrinkite, ar nustatytas tinkamas tarpas tarp elektrodų, žr. *Techniniai duomenys psl. 211*. (Pav. 43)
- Esant reikalui pakeiskite uždegimo žvakę.

## Kuro sistemos tikrinimas

- Patikrinkite kuro bakelio dangtelį ir užsandarinkite jį, kad nepažeistumėte.
- Patikrinkite kuro žarnelę ir įsitinkinkite, kad ji neprateka. Jei kuro žarnelė pažeista, paprašykite, kad techninės priežiūros atstovas ją pakeistų.

## Išleidimas iš degalų bakelio

1. Pastatykite indą po degalų bakeliu.
2. Nuimkite degalų bakelio dangtelį.
3. Užspauskite žarnų spaustukus ant degalų žarnelės, esančios prieš karbiuratorių.
4. Nuimkite nuo karbiuratoriaus degalų žarnelę.
5. Įdėkite degalų bako žarną į indą ir nuimkite žarnos spaustukus.
6. Pakreipkite gaminį, kad išleistumėte degalus į indą.

## Degalų filtro keitimas



**PERSPĖJIMAS:** Mūvėkite apsaugines pirštines.

1. Išleiskite degalus iš degalų bakelio.
2. Nuimkite žarnos spaustuką nuo degalų bakelio. (Pav. 44)
3. Išimkite degalų žarnelę iš kuro bakelio. Gali išbėgti nedidelis degalų kiekis. (Pav. 45)
4. Išimkite kuro filtrą iš kuro bakelio. (Pav. 46)
5. Kuro bakelyje sumontuokite naują kuro filtrą.
6. Prijunkite degalų žarnelę prie degalų bakelio.
7. Uždėkite žarnos spaustuką prieš degalų baką.

## Sankabos laido reguliavimas (LC 140SP)

Toliau nurodytose situacijose būtina sutrumpinti sankabos laidą:

- Ratų pavara neįsijungia, kai patraukiate pavaros rankeną arba greičio valdymo svirtį.
- Produktas juda lėtai, kai įjungta ratų pavara.

Toliau nurodytose situacijose būtina pailginti sankabos laidą:

- Produktas juda , kai ratų pavara neįjungta.
- Sureguliuokite sankabos laidą.
  - a) Norėdami sutrumpinti sankabos laidą, pasukite reguliavimo varžtą prieš laikrodžio rodyklę.
  - b) Norėdami pailginti sankabos laidą, pasukite reguliavimo varžtą pagal laikrodžio rodyklę. (Pav. 47)

Jei po reguliavimo produktas ir toliau važiuoja netinkamai, susisieki su aptarnavimo paslaugų teikėju

## Variklio trikčių šalinimas

Problema	Galima priežastis	Sprendimas
Nepavyksta užvesti variklio.	Uždegimo kabelis prijungtas netinkamai.	Prijunkite uždegimo kabelį prie uždegimo žvakės.
	Degalų bakelis yra tuščias.	Į degalų bakelį pripilkite tinkamų degalų.
	Degalai yra pasenę.	Ištuštinkite degalų bakelį ir karbiuratorių. Įpilkite naujo benzino.
	Užterštas karbiuratorius arba degalų linija.	Išvalykite karbiuratorių ir (arba) degalų liniją.
	Pažeista uždegimo žvakė.	Sureguliuokite tarpą tarp elektrodų, išvalykite arba pakeiskite uždegimo žvakę.
	Ant uždegimo žvakės yra degalų.	Išvalykite žvakę.
Nepavyksta sustabdyti variklio	Sustabdymo mechanizmas neveikia tinkamai.	Atjunkite uždegimo kabelį nuo uždegimo žvakės. Gaminio remontą leiskite atlikti įgaliotam techninės priežiūros atstovui.
Variklis veikia netolygiai.	Uždegimo kabelis prijungtas netinkamai.	Prijunkite uždegimo kabelį prie uždegimo žvakės.
	Užteršta degalų linija arba baigėsi degalų galiojimas.	Išvalykite degalų liniją. Užpildykite degalų bakelį tinkamais degalais.
	Degalų bakelio dangtelis užsikimšo.	Išvalykite degalų bakelio dangtelį.
	Į degalų sistemą pateko vandens arba purvo.	Išleiskite degalus iš degalų bakelio. Užpildykite degalų bakelį tinkamais degalais.
	Oro filtras yra purvinas.	Išvalykite oro filtrą.
	Būtina sureguliuoti karbiuratorių.	Karbiuratorių sureguliuoti leiskite techninės priežiūros atstovams.
Variklis pernelyg įkaista.	Per mažas variklio alyvos lygis.	Įpilkite variklio alyvos.
	Oro srautas nepakankamas.	Išvalykite oro filtrą ir oro filtro korpusą.
	Būtina sureguliuoti karbiuratorių.	Karbiuratorių sureguliuoti leiskite techninės priežiūros atstovams.
Gaminiui veikiant dideliu greičiu įvyksta uždegimo pertrūkių.	Tarpas tarp elektrodų uždegimo žvakėje yra per mažas.	Sureguliuokite tarpą tarp elektrodų.
Neįprastas variklio garsas naudojant gaminį normaliu pajėgumu.	Netinkamo tipo benzinai.	Ištuštinkite degalų bakelį ir karbiuratorių. Įpilkite naujo benzino. Žr. <i>Degalų pripylimas psl. 205</i> . Jei problema išlieka, kreipkitės į vietinį techninės priežiūros atstovą.

Problema	Galima priežastis	Sprendimas
Variklis veikia netolygiai tuščiaja eiga.	Uždegimo žvakė yra purvina, pažeista arba tarpas tarp elektrodų yra per didelis.	Sureguliuokite tarpą tarp elektrodų arba pakeiskite uždegimo žvakę.
	Būtina sureguliuoti karbiuratorių.	Sureguliuokite karbiuratorių.
	Oro filtras yra purvinas.	Išvalykite oro filtrą.

## Transportavimas, saugojimas ir utilizavimas

### Transportavimas ir laikymas

- Norėdami laikyti ir transportuoti gaminį ir kurą, įsitikinkite, kad jis neprateka ir neskleidžia išmetamųjų dujų. Žiežirbos arba atvira ugnis, pvz., elektriniai įrenginiai arba džiovintuvai, gali sukelti gaisrą.
- Laikydami ir transportuodami kurą visada naudokite patvirtintus kontenerius.
- Ištuštinkite kuro bakelį prieš padėdami gaminį laikyti ilgam laikui. Kurą išpilkite tinkamoje šalinimo vietoje.
- Saugiai pritvirtinkite gaminį jį transportuodami, kad nepažeistumėte ir išvengtumėte nelaimingų atsitikimų.

- Laikykite gaminį užrakintoje patalpoje, kad jo nepasiektų vaikai arba negalioji asmenys.
- Laikykite gaminį sausoje neužšalancioje vietoje.

### Šalinimas

- Laikykites vietinių atliekų tvarkymo reikalavimų ir galiojančių teisės aktų.
- Išpilkite visas chemines medžiagas, pvz., variklio alyvą arba kurą techninės priežiūros centre arba tinkamoje šalinimo vietoje.
- Kai gaminys nebenaudojamas, nusiųskite jį „Husqvarna“ pardavėjui arba atiduokite jį perdirbimo vietai.

## Techniniai duomenys

### Techniniai duomenys

	LC 140P	LC 140SP
<b>Variklis</b>		
Gamintojas	Husqvarna	Husqvarna
Variklio modelio pavadinimas	HS 123A	HS 123A
Variklio tipas	Vieno cilindro, keturtaktis, oru aušinamas, OHV	Vieno cilindro, keturtaktis, oru aušinamas, OHV
Darbinis tūris, cm <sup>3</sup>	123	123
Greitis, sūk./min.	3000	3000
Vardinė variklio galia, kW <sup>101</sup>	1,95	1,95
<b>Uždegimo sistema</b>		
Degimo žvakė	Husqvarna HQT-7	Husqvarna HQT-7
Tarpas tarp elektrodų, mm	0,7–0,8	0,7–0,8

<sup>101</sup> Nurodyta variklio galia atitinka to modelio tipinės gamybos būdu pagaminto variklio vidutinę naudingąją atiduodamą galią (varikliui veikiant nurodytu greičiu), išmatuotą pagal SAE standartą J1349 / ISO1585. Masinės gamybos būdu pagamintų variklių galia gali skirtis. Faktinė gaminyje įmontuoto variklio galia priklausys nuo darbinio greičio, aplinkos sąlygų ir kitų aplinkybių.

	LC 140P	LC 140SP
<b>Degalų ir tepimo sistema</b>		
Variklio tepimo tipas	Purškiamasis	Purškiamasis
Degalų bakelio talpa, litrais	0,9	0,9
Alyvos bakelio talpa, litrais	0,5	0,5
Variklio alyva <sup>102</sup>	Husqvarna SAE 30, Husqvarna SAE 5W-30 sintetinė, Husqvarna SAE 10W-40	Husqvarna SAE 30, Husqvarna SAE 5W-30 sintetinė, Husqvarna SAE 10W-40
<b>Svoris</b>		
Su tuščiais bakeliais, kg	25,2	26,8
<b>Skleidžiamas triukšmas</b> <sup>103</sup>		
Garso galios lygis, išmatuotas, dB (A)	93	93
Garso galios lygis, garantuojamas, L <sub>WA</sub> dB (A)	94	94
<b>Garso lygiai</b> <sup>104</sup>		
Naudotojo ausį veikiantis garso slėgis, dB (A)	82	82
<b>Vibracijos lygis</b> <sup>105</sup>		
Valdymo rankenos vibracija, m/s <sup>2</sup>	5,6	7,6
<b>Pjovimo įranga</b>		
Pjovimo aukštis, mm	25-75	25-75
Pjovimo plotis, mm	400	400
Pjovimo sistema	Surinkimas / galinis išmetimas	Surinkimas / galinis išmetimas
Peiliai – standartas	Surinkimo 5873863-10	Surinkimo 5873863-10
Žolės rinktuvo galia, litrais	50	50
<b>Pavara</b>		
Savaeigis greitis, km/h	-	4

<sup>102</sup> Naudokite API SJ ar aukštesnės kokybės variklio alyvą. Jei SAE-30 alyva naudojama žemesnėje nei +5 °C temperatūroje, variklis gali būti suteptas nepakankamai. Dėl to gali atsirasti variklio gedimų. Daugiau informacijos apie tai, kokią alyvą naudoti esant žemai temperatūrai, žr. *Norėdami pakeisti variklio alyvą psl. 208.* Žiūrėkite klampumo lentelę variklio instrukcijoje (jei pridedama) ir pasirinkite geriausią klampumą, atsižvelgdami į numatomą lauko temperatūrą.

<sup>103</sup> Triukšmas, sklaidžiamas į aplinką, išmatuotas kaip garso galia (L<sub>WA</sub>) pagal EB direktyvą 2000/14/EB.

<sup>104</sup> Pateikiamų triukšmo slėgio duomenų būdingoji statistinė sklaida (standartinis nuokrypis) lygi 1,2 dB (A).

<sup>105</sup> Pateiktuose vibracijos lygio duomenyse yra 0,2 m/s<sup>2</sup> tipiška statistinė sklaida (standartinis nuokrypis).

# Atitikties deklaracija

## ES atitikties deklaracija

Mes, **Husqvarna AB**, SE-561 82 Huskvarna, Švedija, tel. +46-36-146500, atsakingai patvirtiname, kad gaminys:

<b>Aprašymas</b>	Vejapjovė
<b>Gamintojas</b>	Husqvarna
<b>Tipas / modelis</b>	LC 140P, LC 140SP
<b>Identifikacijos numeris</b>	Serijos numeriai nuo šios datos: 2022 ir vėlesni

visiškai atitinka šias ES direktyvas ir reglamentus:

<b>Reglamentas</b>	<b>Aprašymas</b>
2006/42/EB	„dėl mašinų“
2014/30/ES	„dėl elektromagnetinio suderinamumo“
2000/14/EB	„dėl į aplinką skleidžiamo triukšmo“
2011/65/ES	„dėl tam tikrų pavojingų medžiagų naudojimo elektros ir elektroninėje įrangoje apribojimo“

ir kad laikomasi šių standartų ir (arba) techninių specifikacijų: EN ISO 5395-1:2013/A1:2018, EN ISO 5395-2:2013/A1:2016/A2:2017, EN ISO 14982:2009, EN IEC 63000:2018

Notifikuotoji įstaiga: 0404, RISE SMP Svensk Maskinprovning AB, Box 4053, SE-904 03 Umeå, Sweden patvirtino atitiktį Tarybos direktyvai 2000/14/EB; atitikties įvertinimo procedūra: VI priedas.

Daugiau informacijos apie triukšmo emisiją žr. *Techniniai duomenys psl. 211*.

Huskvarna, 2022-09-27



Claes Losdal, plėtros vadovas / sodo gaminiai,  
„Husqvarna AB“

Atsakingas už techninę dokumentaciją



---

## Saturs

---

Ievads.....	214	Dzinēja problēmu novēršana.....	223
Drošība.....	215	Pārvadāšana, glabāšana un utilizēšana.....	224
Montāža.....	218	Tehniskie dati.....	224
Lietošana.....	218	Atbilstības deklarācija.....	227
Apkope.....	220		

---

## Ievads

---

### Izstrādājuma apraksts

Izstrādājums ir gājējam vadāmais rotējošais zāles plāvējs. Zāle tiek savākta zāles savācējā. Lai piekļūtu zāles aizmugurējam izmetējam, noņemiet zāles savācēju.

### Izstrādājuma pārskats

(Att. 1)

1. Rokturis/stūre
2. Piedziņas rokturis (LC 140SP)
3. Startera auklas rokturis
4. Zāles savācējs
5. Degvielas tvertne
6. Gaisa filtrs
7. Aizdedzes svece
8. Griezēja pārsegs
9. Trokšņa slāpētājs
10. Eļļas tvertnes vāciņš
11. Griešanas augstuma svira
12. Aizmugurējais aizsegs
13. Dzinēja bremžu rokturis
14. Simboli
15. Apakšējā roktura korpuss
16. Apakšējais rokturis
17. Lietotāja rokasgrāmata
18. Eļļas piltuve

### Simboli uz zāles plāvēja

(Att. 2) **BRĪDINĀJUMS!** Esiet uzmanīgi un lietojiet zāles plāvēju pareizi. Šis zāles plāvējs var radīt smagas vai nāvējošas traumas operatoram vai citiem.

(Att. 3) Lūdzu, rūpīgi izlasiet šo lietotāja rokasgrāmatu un pirms zāles plāvēja lietošanas pārliecinieties, ka izprotat norādījumus.

(Att. 4) Uzmanieties no izmestiem un rikošetā atlecošiem priekšmetiem.

### Paredzētā lietošana

Izmantojiet izstrādājumu, lai apgrieztu zāli. Nelietojiet izstrādājumu citiem uzdevumiem.

(Att. 5) Nodrošiniet, lai cilvēki un dzīvnieki atrastos drošā attālumā no darba zonas.

(Att. 6) Brīdinājums. Turiet rokas un kājas drošā attālumā no rotējošā asmens.

(Att. 7) Brīdinājums. Turiet rokas un kājas drošā attālumā no rotējošajām daļām.

(Att. 8) Pirms veicat remontdarbus vai tehnisko apkopi, apturiet dzinēju un atvienojiet aizdedzes vadu.

(Att. 9) Šis zāles plāvējs atbilst spēkā esošajām EK direktīvām.

(Att. 10) Trokšņa emisijas vidē uzlīme atbilstoši ES un Apvienotās Karalistes direktīvām un noteikumiem, kā arī Jaundienvideļas tiesību aktam "Darba vides aizsardzības (trokšņa kontroles) regula (2017)". Zāliena traktora garantētais skaņas jaudas līmenis ir norādīts šeit: *Tehniskie dati lpp. 224*, kā arī uzlīmē.

(Att. 11) Šis zāles plāvējs atbilst spēkā esošajiem AK noteikumiem.

(Att. 12) Aizdegšanās risks.

(Att. 13) Neieelpojiet izplūdes gāzes. Dzinēja izplūdes gāzes satur oglekļa monoksīdu, kas ir bezkrāsaina, indīga un ļoti bīstama gāze. Nedarbiniet dzinēju iekštelpās vai slēgtās telpās.

(Att. 14) Karsta virsma.

**Piezīme:** Pārējie uz zāles plāvēja norādītie simboli/uzlīmes attiecas uz dažu tirdzniecības nozaru prasībām.

## Euro V emisija



**BRĪDINĀJUMS:** Motora atvēršana anulē šī ķēdes zāga ES tipa apstiprinājumu.

## Drošība

### Drošības definīcijas

Brīdinājumi, norādes "Uzmanību!" un piezīmes tiek izmantotas, lai izceltu īpaši svarīgas lietotāja rokasgrāmatas daļas.



**BRĪDINĀJUMS:** Tiek izmantota tad, ja rokasgrāmatā sniegto instrukciju neievērošanas dēļ operatoram vai blakus esošajām personām draud trauma vai nāves risks.



**IEVĒROJIET:** Tiek izmantota tad, ja rokasgrāmatā sniegto instrukciju neievērošanas dēļ rodas izstrādājuma, citu materiālu vai blakus esošās teritorijas bojājuma risks.

**Piezīme:** Tiek izmantota, lai sniegtu plašāku informāciju, kas nepieciešama attiecīgajā situācijā.

### Vispārīgi drošības norādījumi



**BRĪDINĀJUMS:** Pirms izstrādājuma lietošanas izlasiet tālāk izklāstītos brīdinājumus.

- Šis izstrādājums ir bīstams, ja to lieto nepareizi vai ja nerīkojaties piesardzīgi. Drošības instrukciju neievērošana var izraisīt traumas vai nāvi.
- Šis izstrādājums darbības laikā rada elektromagnētisko lauku. Zināmos apstākļos šis lauks var traucēt aktīvā vai pasīvā medicīniskā implantāta darbību. Lai samazinātu nopietnas traumas gūšanas vai dzīvības zaudēšanas risku, mēs iesakām personām, kam ir medicīniskie implantāti, pirms šī izstrādājuma lietošanas konsultēties ar savu ārstu un medicīniskā implantāta ražotāju.
- Vienmēr rīkojieties piesardzīgi un saprātīgi. Ja neesat drošs par to, kā izmantot šo izstrādājumu

## Produkta bojājumi

Mēs neatbildam par mūsu produkta bojājumiem, ja:

- ir veikts nepareizs produkta remonts;
- produkta remonts ir veikts, izmantojot detaļas, ko nav nodrošinājis vai apstiprinājis ražotājs;
- produktam tiek pievienots piederums, ko nav nodrošinājis vai apstiprinājis ražotājs;
- produkta remonts nav veikts pilnvarotā remontdarbnīcā vai pie pilnvarota speciālista.

konkrētā situācijā, pārtrauciet darbu un sazinieties ar savu Husqvarna izplatītāju, pirms turpināt.

- Paturiet prātā, ka operators ir atbildīgs par negadījumiem, kuros iesaistītas citas personas.
- Gādājiet, lai izstrādājums ir tīrs. Pārlicinieties, ka varat skaidri izlasīt zīmes un uzlīmes.
- Neļaujiet nevienai personai izmantot izstrādājumu, ja neesat pārlicinājies, ka šī persona ir izlasījusi un izprot lietotāja rokasgrāmatas saturu.
- Neļaujiet bērniem lietot šo izstrādājumu.
- Bērni nedrīkst atrasties darba zonā. Tuvumā vienmēr jābūt pieaugušajam.
- Neļaujiet lietot izstrādājumu personai, kas nav iepazīstināta ar lietošanas norādījumiem.
- Ja produktu izmanto persona ar samazinātām fiziskajām vai garīgajām spējām, vienmēr uzraugiet šo personu. Tuvumā vienmēr jābūt pieaugušajam.
- Neizmantojiet šo izstrādājumu, ja esat noguris, slims vai esat alkohola, narkotiku vai medikamentu izraisītā reibumā. Šāds stāvoklis negatīvi ietekmē jūsu redzi, modrību, koordināciju un spriestspēju.
- Nelietojiet izstrādājumu, kas ir bojāts vai nedarbojas pareizi.
- Neveiciet izmaiņas šajā izstrādājumā un neizmantojiet to, ja ir iespējams, ka citas personas tajā ir veikušas izmaiņas.
- Nemainiet noregulēto dzinēja apgriezumu skaitu

### Darba zonas drošība



**BRĪDINĀJUMS:** Pirms sākat lietot izstrādājumu, izlasiet tālāk izklāstītās brīdinājuma instrukcijas.

- Pirms izmantojat izstrādājumu, noņemiet no darba zonas priekšmetus, piemēram, zarus, žaģarus un akmeņus.
- Priekšmeti, kas saskaras ar griešanas ierīci, var atlēkt un nodarīt kaitējumu personām vai citiem priekšmetiem. Gādājiet, lai citi cilvēki un dzīvnieki atrastos drošā attālumā no izstrādājuma.

- Nekad neizmantojiet izstrādājumu sliktos laikapstākļos, piemēram, miglā, lietū, stiprā vējā, lielā aukstumā un pastāvot zibeņošanas riskam. Izstrādājuma izmantošana sliktos laikapstākļos vai mitrā vai slapjā vietā ir nogurdinoša. Slikti laikapstākļi var izraisīt bīstamus apstākļus, piemēram, slidenas virsmas.
- Pārliecinieties, vai nav personu, priekšmetu un situāciju, kas varētu kavēt izstrādājuma drošu darbību.
- Uzmanīgi skatieties, vai nav šķēršļu, piemēram, sakņu, akmeņu, zaru, bedru un grāvju. Garā zālē var atrasties dažādi šķēršļi.
- Pļaušana uz nogāzēm var būt bīstama. Neizmantojiet izstrādājumu uz virsmas, kuras slīpums pārsniedz 15°.
- Uz nogāzēm izstrādājumu izmantojiet garenvirzienā. Neplaujiet uz augšu un uz leju.
- Esiet uzmanīgi, kad tuvojaties stūriem, aiz kuriem nekas nav redzams, un priekšmetiem, kas aizsedz skaidru skatu.
- Darbinot izstrādājumu, raugiet, lai visi četri riteņi atrodas uz zemes un turiet rokturi ar abām rokām. Turiet rokas un kājas drošā attālumā no rotējošajiem asmeņiem.
- Nekad nenolieciet izstrādājumu dzinēja darbības laikā.
- Esiet piesardzīgs, velkot izstrādājumu uz aizmuguri.
- Nekad neceliet izstrādājumu uz augšu dzinēja darbības laikā. Ja jums jāpāceļ izstrādājums, vispirms izslēdziet dzinēju un atvienojiet aizdedzes vadu no aizdedzes sveces.
- Neejiet atmuguriski izstrādājuma lietošanas laikā.
- Izslēdziet dzinēju, kad pārvietojaties pa teritorijām, ko neklāj zāle, piemēram, pa grants, akmens vai asfalta celiņiem.
- Nekad neskrīniet ar izstrādājumu dzinēja darbības laikā. Darbinot izstrādājumu, vienmēr ejiet.
- Apturiet dzinēju, pirms maināt griešanas augstumu. Nekad nemēģiniet veikt regulēšanas darbus dzinēja darbības laikā.
- Nekad neatstājiet izstrādājumu bez uzraudzības dzinēja darbības laikā. Izslēdziet dzinēju un pārliecinieties, vai griešanas ierīce nerotē.

## Darba drošība



**BRĪDINĀJUMS:** Pirms sākat lietot izstrādājumu, izlasiet tālāk izklāstītās brīdinājuma instrukcijas.

- Izmantojiet šo izstrādājumu tikai zālienu pļaušanai. Izstrādājumu nav atļauts izmantot citu darbu veikšanai.
- Lietojiet individuālos aizsardzības līdzekļus. Skatiet šeit: *Individuālie aizsarglīdzekļi lpp. 216.*
- Pārliecinieties, vai zināt, kā ārkārtas situācijā ātri apturēt dzinēju.
- Nekad neiedarbiniet dzinēju slēgtās telpās vai uzliesmojošu materiālu tuvumā. Dzinēja izplūdes gāzes ir karstas, un tajās var būt dzirksteles, kas var izraisīt ugunsgrēku.
- Nedarbiniet izstrādājumu, ja asmens un visi pārsegi nav piestiprināti pareizi. Nepareizi piestiprināts asmens var kļūt vaļīgs un izraisīt traumas personai.
- Pārliecinieties, ka asmens neatsitas pret priekšmetiem, piemēram, akmeņiem un saknēm. Tas var sabojāt asmeni un saliekt dzinēja vārpstu. Saliekts asmens izraisa stipru vibrāciju un rada ļoti lielu risku, ka asmens kļūst vaļīgs.
- Ja asmens saskaras ar priekšmetu vai rodas spēcīgas vibrācijas, nekavējoties izslēdziet izstrādājumu. Atvienojiet aizdedzes vadu no aizdedzes sveces. Pārbaudiet, vai izstrādājumā nav bojājumu. Novērsiet bojājumus vai ļaujiet pilnvarotā servisa pārstāvim veikt remontu.
- Nekad nepiestipriniet dzinēja bremžu rokturi pastāvīgi rokturim, kad dzinējs ir iedarbināts.
- Novietojiet izstrādājumu uz stabilas, līdzenas virsmas un iedarbiniet to. Pārliecinieties, vai asmens nepieskaras zemei vai citiem priekšmetiem.
- Darbinot izstrādājumu, vienmēr stāviet aiz tā.

## Norādījumi par drošu darbu

### Individuālie aizsarglīdzekļi



**BRĪDINĀJUMS:** Pirms sākat lietot izstrādājumu, izlasiet tālāk izklāstītās brīdinājuma instrukcijas.

- Šādi līdzekļi nevar pilnībā novērst traumu gūšanas risku, taču samazina traumu smaguma pakāpi, ja negadījums tomēr notiek. Ļaujiet izplatītajam palīdzēt jums izvēlēties pareizo aprīkojumu.
- Ja trokšņa līmenis ir augstāks par 85 dB, izmantojiet dzirdes aizsarglīdzekļus.
- Velciet izturīgs zābakus vai kurpes, kas neslīd. Nevelciet valējas kurpes un neejiet ar basām kājām.
- Velciet izturīgas garās bikses.
- Vajadzības gadījumā izmantojiet aizsargcimdus, piemēram, piestiprinot, pārbaudot vai tīrot griešanas aprīkojumu.

### Zāles plāvēja drošības ierīces



**BRĪDINĀJUMS:** Pirms zāles plāvēja lietošanas izlasiet zemāk minētos brīdinājumus.

- Nelietojiet zāles plāvēju ar drošības ierīcēm, kas ir bojātas vai nedarbojas pareizi.
- Regulāri pārbaudiet drošības ierīces. Ja drošības ierīces ir bojātas vai nedarbojas pareizi, sazinieties ar Husqvarna apkopes dienesta pārstāvi.
- Nepārveidojiet drošības ierīces.



## Griezēja pārsega pārbaude

Griezēja pārsegs samazina izstrādājuma vibrācijas un asmens radītu ievainojumu gūšanas risku.

- Pārbaudiet griezēja pārsegu, lai pārliecinātos, vai nav bojājumu, piemēram, plaisu.

## Dzinēja bremžu roktura pārbaude

Dzinēja bremžu rokturis aptur dzinēju. Atlaižot dzinēja bremžu rokturi, dzinējs apstājas.

- Iedarbiniet dzinēju un pēc tam atļaidiet dzinēja bremžu rokturi. Ja dzinējs neapstājas trīs sekundēs, lieciet pilnvarotā Husqvarna servisa pārstāvim noregulēt dzinēja bremzes. (Att. 16)

## Trokšņa slāpētājs

Slāpētājs maksimāli mazina troksni un novirza dzinēja izplūdes gāzes prom no operatora.

Nelietojiet produktu, ja nav trokšņa slāpētāja vai tas ir bojāts. Bojāts trokšņa slāpētājs palielina trokšņa līmeni un aizdegšanās risku.



**BRĪDINĀJUMS:** Lietošanas laikā, tūlīt pēc tās un tad, kad dzinējs darbojas tukšgaitā, trokšņa slāpētājs būtiski sakarst. Lai nepieļautu aizdegšanos, esiet piesardzīgi uzliesmojošu materiālu un/vai gāzu tuvumā.

## Drošības norādījumi, rīkojoties ar degvielu



**BRĪDINĀJUMS:** Pirms zāles plāvēja lietošanas izlasiet zemāk minētos brīdinājumus.

- Nelietojiet zāles plāvēju, ja uz tā ir degviela vai dzinēja eļļa. Notīriet degvielu/eļļu un ļaujiet zāles plāvējam nožūt.
- Ja degviela nokļuvusi uz apģērba, nekavējoties pārģērbieties.
- Neļaujiet degvielai nokļūt uz ķermeņa, jo var rasties trauma. Ja degviela izlījus uz ķermeņa, izmantojiet ziepes un ūdeni, lai to nomazgātu.
- Nelietojiet zāles plāvēju, ja no dzinēja ir noplūde. Regulāri pārbaudiet, vai no dzinēja nav noplūde.
- Rīkojoties ar degvielu, esiet uzmanīgi. Degviela ir viegli uzliesmojoša, tās tvaiki ir sprādzienbīstami un var radīt traumas vai nāvējošu traumu.
- Neieelpojiet degvielas tvaikus, jo tie var kaitēt veselībai. Pārliecinieties, ka gaisa plūsma ir pietiekama.
- Nesmēķējiet degvielas vai dzinēja tuvumā.
- Nenovietojiet siltus priekšmetus degvielas vai dzinēja tuvumā.

- Nepapildiniet degvielu dzinēja darbības laikā.
- Pirms degvielas uzpildes pārliecinieties, ka dzinējs ir atdzisis.
- Pirms uzpildes lēni atveriet degvielas tvertnes vāciņu un uzmanīgi izlaidiet spiedienu.
- Neuzpildiet dzinēja degvielu telpās. Nepietiekama gaisa plūsma var radīt traumas vai nāvi, nosmokot vai saindējoties ar oglekļa monoksīdu (tvana gāzi).
- Pilnībā aizskrūvējiet degvielas tvertnes vāciņu. Ja degvielas tvertnes vāciņš nav aizskrūvēts, pastāv aizdegšanās risks.
- Pirms iedarbināšanas pārvietojiet zāles plāvēju vismaz 3 m/10 pēdas no vietas, kur uzpildījāt tvertni.
- Pilnībā neuzpildiet degvielas tvertni. Siltuma ietekmē degviela izplešas. Atstājiet degvielas tvertnes augšdaļu tukšu.
- Ja zāles plāvēja degvielas tvertnē ir degviela, nekādā gadījumā neuzglabājiet to ēkā, kurā ir aizdegšanās avoti, piemēram, karstā ūdens avoti un telpu sildītāji, drēbju žāvētāji u.c. Pirms zāles plāvēja novietošanas uzglabāšanai telpās ļaujiet atdzist dzinējam.

## Norādījumi par drošu apkopi



**BRĪDINĀJUMS:** Pirms sākat lietot izstrādājumu, izlasiet tālāk izklāstītās brīdinājuma instrukcijas.

- Dzinēja gāzu izplūdes satur oglekļa monoksīdu, kas ir bezkrāsaina, indīga un ļoti bīstama gāze. Nedarbini dzinēju iekšējās vai slēgtās telpās.
- Pirms veicat izstrādājuma apkopi, vispirms izslēdziet dzinēju un atvienojiet aizdedzes vadu no aizdedzes sveces.
- Veicot griešanas aprīkojuma apkopi, velciet aizsargcimdus. Asmens ir ļoti ass, un ar to var viegli sagriezties.
- Piederumi un pārveidojumi izstrādājumā, kurus ražotājs nav apstiprinājis, var izraisīt nopietnas traumas vai nāvi. Nepārveidojiet izstrādājumu. Izmantojiet tikai tādus piederumus, ko ir apstiprinājis ražotājs.
- Ja apkope netiek veikta pareizi un regulāri, traumu gūšanas risks un bojājumu izstrādājumam risks palielinās.
- Veiciet tikai to apkopi, kas norādīta īpašnieka rokasgrāmatā. Visi pārējie apkopes darbi jāveic pilnvarotā Husqvarna servisa pārstāvim.
- Ļaujiet pilnvarotā Husqvarna servisa pārstāvim regulāri veikt izstrādājuma apkopi.
- Nomainiet bojātās, nodilušas un salūzušās detaļas.

---

# Montāža

---

## Roktura montāža

1. Bīdiēt skrūvi (A) caur rokturi (B), plastmasas paplāksni (C) un roktura atbalsta kronšteinu (D). (Att. 17)
2. Pilnībā pievelciet uzgriezni (E).
3. Bīdiēt skrūvi (F) caur paplāksni (G) un roktura atbalsta kronšteinu.
4. Pilnībā pievelciet fiksatoru (H).
5. Salāgojiet roktura caurumus ar apakšējā roktura caurumiem un piestipriniet skrūves, paplāksnes un fiksatorus. Pilnībā pievelciet fiksatorus. (Att. 18)
6. Pievienojiet kabelus rokturim, izmantojot kabelu turētājus. (Att. 19)

---

**Piezīme:** Pārliedzieties, vai kabeli nav nospriegojami pārāk stingri. Pārāk liels nospriegojums var sabojāt kabeli, ja rokturis tiek nolocīts transportēšanas pozīcijā.

---

7. Novietojiet kabelus uz āķa roktura apakšdaļā. (Att. 20)

## Roktura augstuma regulēšana

1. Atskrūvējiet apakšējos fiksatorus. (Att. 21)
2. Noņemiet fiksatorus, paplāksnes un skrūves kreisajā un labajā pusē.
3. Rokturi var montēt 2 dažādos augstumos. Ievietojiet skrūves vienā no 2 atverēm kreisajā un labajā pusē. (Att. 22)
4. Piestipriniet skrūves, paplāksnes un fiksatorus.
5. Virziet fiksatorus uz augšu roktura virzienā, līdz tie apstājas un jūs dzirdat klikšķi. Pilnībā pievelciet fiksatorus. (Att. 23)

## Produkta novietošana transportēšanas pozīcijā

1. Noņemiet zāles savācēju.
2. Atskrūvējiet valīgāk fiksatorus uz augšējā roktura un nolokiet rokturi uz leju. (Att. 24)
3. Atlaidiet apakšējos fiksatorus.
4. Pārvietojiet fiksatorus uz rievu apakšējo malu izstrādājuma kreisajā un labajā pusē. (Att. 25)
5. Nolokiet rokturi uz priekšu. (Att. 26)

## Izstrādājuma novietošana darbības pozīcijā

1. Paceliet stūri, līdz apakšējais rokturis fiksējas darba pozīcijā. (Att. 27)
2. Pārvietojiet fiksatorus uz augšu roktura virzienā, līdz tie apstājas un atskan klikšķis.
3. Pilnībā pievelciet fiksatorus. (Att. 28)
4. Paceliet stūres augšdaļu.
5. Pilnībā pievelciet fiksatorus. (Att. 29)

## Zāles savācēja montāža

1. Novietojiet zāles savācēja augšējo daļu uz zāles savācēja apakšējās daļas. (Att. 30)
2. Piestipriniet zāles savācēja rāmi ar skavām. (Att. 31)
3. Noceliet aizmugurējo pārsegu.
4. Piestipriniet āķus uz zāles savācēja šasijas augšējai malai. (Att. 32)
5. Ievietojiet zāles savācēja apakšējo daļu zāles izmešanas atverē.

---

# Lietošana

---

## Ievads



**BRĪDINĀJUMS:** Pirms sākat darbu ar produktu, izlasiet nodaļu par drošību un pārliedzieties, vai saprotat to.

---

## Husqvarna Connect

Husqvarna Connect ir bezmaksas lietotne jūsu mobilajai ierīcei. Lietotne Husqvarna Connect nodrošina paplašinātas funkcijas jūsu Husqvarna izstrādājumam:

- Paplašināta izstrādājuma informācija.
- Informācija par izstrādājuma daļām un apkopi un palīdzība ar to.

## Lai sāktu izmantot Husqvarna Connect

1. Lejupielādējiet Husqvarna Connect lietotni savā mobilajā ierīcē.
2. Reģistrējieties Husqvarna Connect lietotnē.
3. Izpildiet Husqvarna Connect lietotnē sniegtos norādījumus, lai savienotu un reģistrētu produktu.

## Pirms izstrādājuma darbināšanas

1. Uzmanīgi izlasiet lietotāja rokasgrāmatu un pārliedzieties, vai izprotat instrukcijas.
2. Pārbaudiet griešanas aprīkojumu, lai pārliedzieties, vai tas ir pareizi piestiprināts un noregulēts. Skatiet šeit: *Griešanas aprīkojuma pārbaudīšana lpp. 221.*

- Uzpildiet degvielas tvertni. Skatiet šeit: *Degvielas uzpildīšana lpp. 219.*
- Uzpildiet degvielas tvertni un pārbaudiet eļļas līmeni. Skatiet šeit: *Eļļas līmeņa pārbaude lpp. 221.*

## Degvielas uzpildīšana

Ja iespējams, izmantojiet degvielu ar zemu emisiju līmeni / alkilātu degvielu. Ja degviela ar zemu emisiju līmeni / alkilātu degviela nav pieejama, izmantojiet labas kvalitātes bezsvina benzīnu vai svīnu saturošu benzīnu, kura oktānskaitlis nav mazāks par 91.



**IEVĒROJIET:** Nelietojiet benzīnu, kura oktānskaitlis ir zemāks par 91 RON. Pretējā gadījumā izstrādājumam var rasties bojājumi.



**IEVĒROJIET:** Nomainiet degvielas filtru reizi gadā vai biežāk, ja nepieciešams. Jauns degvielas filtrs ir pieejams pie jūsu Husqvarna izplatītāja.



**IEVĒROJIET:** Pirms degvielas uzpildes vienmēr izslēdziet dzinēju.



**IEVĒROJIET:** Neizmantojiet iedarbināšanas šķidrumu zem spiediena.

- Lēni atveriet degvielas tvertnes vāciņu, lai samazinātu spiedienu.
- Lēni uzpildiet ar degvielas kannu. Ja esat izšakstījis degvielu, notīriet to ar drānu un ļaujiet atlikušajai degvielai nožūt. (Att. 33)
- Notīriet zonu ap degvielas tvertnes vāciņu.
- Pilnībā aizskrūvējiet degvielas tvertnes vāciņu. Ja degvielas tvertnes vāciņš nav aizskrūvēts, pastāv aizdegšanās risks.
- Pirms iedarbināšanas pārvietojiet produktu vismaz 3 m / 10 pēdas no vietas, kur uzpildījāt tvertni.

## Plaušanas augstuma regulēšana

- Lai palielinātu griešanas augstumu, pārvietojiet griešanas augstuma sviru uz aizmuguri.
- Lai samazinātu griešanas augstumu, pārvietojiet griešanas augstuma sviru uz priekšu. (Att. 34)



**IEVĒROJIET:** Neiestatiet griešanas augstumu pārāk zemu. Ja zāliena virsma nav līdzena, asmeņi var saskarties ar zemi.

## Izstrādājuma iedarbināšana

- Pārliecinieties, vai aizdedzes vads ir pievienots aizdedzes svecei.
- Stāviet aiz izstrādājuma.
- Turiet dzinēja bremžu rokturi pretī stūrei. (Att. 35)
- Turiet startera auklas rokturi ar labo roku.
- Lēni velciet startera auklu, līdz sajūtat pretestību.
- Lai iedarbinātu dzinēju, spēcīgi to pavelciet.



**BRĪDINĀJUMS:** Netiniet startera auklu ap roku.

## Piedziņas izmantošana riteņiem

- Pabīdīdiet piedziņas rokturi stūres virzienā. (Att. 36)
- Atļaidiet piedziņas rokturi, lai atvienotu piedziņu, piemēram, ja ejat tuvu šķērslim.
- Pirms velkat izstrādājumu uz aizmuguri, atvienojiet piedziņu un pastumiet izstrādājumu uz priekšu par aptuveni 10 cm.

## Izstrādājuma apturēšana

- Lai apturētu tikai piedziņu, atļaidiet piedziņas rokturi.
- Lai apturētu dzinēju, atļaidiet dzinēja bremžu rokturi.

## Labā rezultāta panākšana

- Vienmēr lietojiet tikai asus asmeņus. Lietojot trulu asmeni, plaušanas rezultāts ir nevienmērīgs, un noplautā zāles virsma kļūst dzeltena. Ass asmens arī patērē mazāk enerģijas nekā truls asmens.
- Nepļaujiet vairāk par 1/4 no zāles garuma. Vispirms pļaujiet ar lielu plaušanas augstuma iestatījumu. Pārbaudiet rezultātu un nolaidiet plaušanas augstumu līdz pieņemamam līmenim. Ja zāle ir ļoti gara, pļaujiet lēni un, ja nepieciešams, dariet to divreiz.
- Katru reizi pļaujiet dažādos virzienus, lai zālienā neatstātu svītras.
- Uzturiet pļaušanas pārsegu tīru. Zāles un netīrumu uzkrāšanās plaušanas pārsega iekšpusē var pasliktināt pļaušanas rezultātu. Skatiet: *Griešanas pārsega iekšējās virsmas tīrīšana lpp. 221.*

# Apkope

## Ievads



**BRĪDINĀJUMS:** Pirms veicat apkopi, izlasiet nodaļu par drošību un pārliecinieties, vai izprotat to.

Lai veiktu visus izstrādājuma apkopes un remonta darbus, ir nepieciešama īpaša apmācība. Mēs garantējam profesionāla remonta un apkopes pieejamību. Ja jūsu izplatītājs nav servisa pārstāvis, vērsieties pie viņa, lai iegūtu informāciju par tuvāko servisa pārstāvi.

Papildinformāciju skatiet šeit: .

## Apkopes grafiks



**IEVĒROJIET:** Sasverot šo izstrādājumu, nodrošiniet, lai gaisa filtrs būtu pavērstis augšup, nevis pret zemi. Pastāv risks izraisīt dzinēja bojājumus.

Apkopes intervāli tiek aprēķināti atbilstoši izstrādājuma ikdienas lietošanai. Intervāli mainās, ja izstrādājumu neizmanto ikdienā.

Attiecībā uz apkopi, kas atzīmēta ar zīmi \*, skatiet instrukcijas sadaļā *Zāles plāvēja drošības ierīces lpp. 216.*

Apkope	Katru dienu	Reizi mēnesī	Katru sezonu
Veiciet vispārīgu pārbaudi	X		
Pārbaudiet eļļas līmeni	X		
Nomainiet eļļu (pirmo reizi pēc 5 h lietošanas, pēc tam — ik pēc 50 h lietošanas) <sup>106</sup>			X
Izstrādājuma tīrīšana	X		
Pārbaudiet griešanas aprīkojumu	X		
Pārbaudiet griešanas pārsegu*	X		
Pārbaudiet dzinēja bremžu rokturi*	X		
Pārbaudiet slāpētāju*		X	
Pārbaudiet aizdedzes sveci. Ja nepieciešams, notīriet vai nomainiet aizdedzes sveci			X
Pārbaudiet gaisa filtru	X		
Iztīriet gaisa filtru <sup>107</sup>		X	
Nomainiet gaisa filtru.			X
Pārbaudiet degvielas sistēmu			X
Notīriet cilindra dzesēšanas spārņņus		X	
Pārbaudiet un noregulējiet sajūga trosīti (LC 140SP)			X

## Vispārējās pārbaudes veikšana

- Pārliecinieties, vai visi uzgriežņi un skrūves uz izstrādājuma ir pareizi pievilkti.

## Produkta tīrīšana no ārpuses

- Izmantojiet suku, lai notīrītu lapas, zāli un neņirumus.
- Pārliecinieties, vai gaisa ieplūde dzinēja augšpusē nav bloķēta.

<sup>106</sup> Ja izstrādājums tiek darbināts lielas slodzes vai augstas apkārtējās temperatūras apstākļos, nomainiet dzinēja eļļu ik pēc 25 darba stundām.

<sup>107</sup> Ja darbs notiek putekļainā vidē vai pastāv gaisā esošu daļiņu klātbūtne, filtra tīrīšanu veiciet biežāk. Ja gaisa filtrs ir ļoti nefīrs, nomainiet to.

- Produktu nedrīkst skalot ar augstspiediena ūdens strūklu.
- Ja izstrādājuma tīrīšanai izmantojat ūdeni, nelejiet to tieši uz dzinēja.

## Griešanas pārsega iekšējās virsmas tīrīšana

1. Iztukšojiet degvielas tvertni.
2. Sagāziet izstrādājumu. Pārlicinieties, vai aizdedzes svece ir virzienā uz augšu.



**IEVĒROJIET:** Novietojot izstrādājumu ar gaisa filtru uz leju, var sabojāt dzinēju.

3. Ar šļūteni noskalojiet griešanas pārsega iekšējo virsmu.

## Griešanas aprīkojuma pārbaudīšana



**BRĪDINĀJUMS:** Lai novērstu nejašu palaišanu, atvienojiet aizdedzes vadu no aizdedzes sveces.



**BRĪDINĀJUMS:** Veicot griešanas aprīkojuma apkopi, velciet aizsargcimdus. Asmens ir ļoti ass, un ar to var viegli sagriezties.

1. Pārbaudiet, vai griešanas aprīkojums nav bojāts vai ierīkots. Vienmēr nomainiet bojātu griešanas ierīci.
2. Apskatiet asmeni, lai redzētu, vai tas nav bojāts vai trūks.

**Piezīme:** Vajadzības gadījumā pēc asmens uzasināšanas to balansējiet. Ļaujiet servisa centram asināt, nomainīt un balansēt asmeni. Ja saskaraties ar šķērslī, kas liek izstrādājumam apstāties, nomainiet bojāto asmeni. Lai apkopes centra pārstāvis novērtē, vai asmens ir jāuzasina, vai arī tas ir jānomaina.

## Asmens maiņa

1. Fiksējiet asmeni ar koka kluci. (Att. 37)
2. Izskrūvējiet asmens skrūvi un noņemiet atsperes paplāksni.
3. Noņemiet asmeni.
4. Pārbaudiet, vai nav bojāts asmens balsts un asmens skrūve.
5. Pārbaudiet, vai dzinēja vārpsta nav saliekta.
6. Kad piestiprināt jauno asmeni, vērsiet asmens saliektos galus plaušanas pārsega virzienā. (Att. 38)
7. Pārlicinieties, vai asmens ir salāgots ar dzinēja vārpstas centru.

8. Fiksējiet asmeni ar koka kluci. Piestipriniet atsperepaplāksni, pievelciet skrūvi un paplāksni līdz 45–60 Nm. (Att. 39)
9. Ar roku pagrieziet asmeni un pārbaudiet, vai tas griežas brīvi.



**BRĪDINĀJUMS:** Uzvelciet biezus cimdus. Asmens ir ļoti ass, un ar to var viegli sagriezties.

10. Iedarbiniet zāles plāvēju, lai pārbaudītu asmeni. Ja asmens nav pareizi piestiprināts, zāles plāvējs vibrē vai plaušanas rezultāts nav apmierinošs.

## Eļļas līmeņa pārbaude



**IEVĒROJIET:** Pārāk zems eļļas līmenis var izraisīt dzinēja bojājumus. Pirms iedarbināt zāles plāvēju, pārbaudiet eļļas līmeni.

1. Novietojiet zāles plāvēju uz līdzenas virsmas.
2. Noņemiet eļļas tvertnes vāciņu ar piestiprināto mērstieni.
3. Notīriet no mērstieņa eļļu.
4. Pilnībā ievietojiet mērstieni eļļas tvertnē, lai iegūtu pareizu priekšstatu par eļļas līmeni. Nepiestipriniet eļļas tvertnes vāciņu.
5. Noņemiet eļļas tvertnes vāciņu ar piestiprināto mērstieni.
6. Pārbaudiet eļļas līmeni uz mērstieņa.
7. Ja eļļas līmenis ir pārāk zems, uzpildiet dzinēja eļļu un pārbaudiet eļļas līmeni vēlreiz. (Att. 40)

**Piezīme:** Lai novērstu eļļas izšļakstīšanos, izmantojiet piltuvi.

8. Kad eļļas līmenis ir pareizs, uzlieciet eļļas tvertnes vāciņu.

## Dzinēja eļļas maiņa



**BRĪDINĀJUMS:** Uzreiz pēc dzinēja izslēgšanas dzinēja eļļa ir ļoti karsta. Ļaujiet dzinējam atdzist, pirms iztecināt dzinēja eļļu. Ja dzinēja eļļa ir uzšļakstījusies uz ādas, nomazgājiet to ar ziepēm un ūdeni.

(Att. 41)

1. Darbiniet zāles plāvēju, līdz degvielas tvertne ir tukša.
2. Noņemiet aizdedzes vadu no aizdedzes sveces.
3. Noņemiet eļļas tvertnes vāciņu ar piestiprināto mērstieni.
4. Novietojiet tvertni zem zāles plāvēja, lai savāktu dzinēja eļļu.

- Sasveriet zāles plāvēju vai iztukšojiet dzinēja eļļu no eļļas tvertnes, izmantojot eļļas sūkni (piederums).
- Iepildiet jaunu ieteikto dzinēja eļļu, kas aprakstīta šeit: *Tehniskie dati lpp. 224*.
- Pārbaudiet eļļas līmeni. Skatiet šeit: *Eļļas līmeņa pārbaude lpp. 221*.
- Kad eļļas līmenis ir pareizs, uzlieciet eļļas tvertnes vāciņu.

## Putuplasta filtra tīrīšana



**IEVĒROJIET:** Neiedarbiniet dzinēju, ja nav uzstādīti gaisa filtri. Ja gaiss ir nefīrs, dzinēja nodilums palielinās.

- Noņemiet gaisa filtra pārsegu (A). (Att. 42)
- Izņemiet putuplasta filtrus (B).



**IEVĒROJIET:** Pārbaudiet, vai putuplasta filtri nav bojāti vai nodiluši. Nomainiet visus bojātos putuplasta filtrus.

- Iztīriet putuplasta filtrus ar ziepēm un ūdeni.
- Noskalojiet putuplasta filtrus firā ūdenī.
- Izspiediet ūdeni no putuplasta filtriem un ļaujiet tiem nožūt.



**IEVĒROJIET:** Neizmantojiet saspiesto gaisu. Tas var izraisīt putuplasta filtra bojājumus.

- Ieeļļojiet putuplasta filtrus ar motoreļļu.
- Uzspiediet ar tīru drānu uz putuplasta filtra, lai noņemtu lieko eļļu.
- Uzstādiē putuplasta filtrus. Pārliecinieties, vai putuplasta filtri pilnībā noblīvējas pret gaisa filtra turētāju.
- Uzstādiē gaisa filtra pārsegu.

## Aizdedzes sveces pārbaude



**IEVĒROJIET:** Vienmēr lietojiet ieteiktā tipa aizdedzes sveci. Nepiemērota aizdedzes svece var radīt izstrādājuma bojājumus.

- Pārbaudiet aizdedzes sveci, ja dzinējam nepietiek jaudas, dzinēju nevar viegli iedarbināt vai arī tas nedarbojas pareizi tukšgaitā.
- Lai samazinātu nevēlamu materiālu uzkrāšanos uz aizdedzes sveces elektrodiem, ievērojiet turpmākos norādījumus.
  - Pārliecinieties, ka apgriezienu skaits tukšgaitā ir noregulēts pareizi.
  - Pārliecinieties, ka degvielas maisījums ir atbilstošs.

- Pārliecinieties, ka gaisa filtrs ir fīrs.
- Ja aizdedzes svece ir nefīra, notīriet to un pārbaudiet, vai atstatums starp elektrodiem ir pareizs; skatiet šeit: *Tehniskie dati lpp. 224*. (Att. 43)
  - Ja nepieciešams, nomainiet aizdedzes sveci.

## Degvielas sistēmas pārbaude

- Pārbaudiet degvielas tvertnes vāciņu un degvielas tvertnes vāciņa blīvi, lai pārliecinātos, vai nav bojājumu.
- Pārbaudiet degvielas šļūtenes, lai pārbaudītu, vai nav noplūdes. Ja degvielas šļūtene ir bojāta, ļaujiet servisa pārstāvim to nomainīt.

## Degvielas tvertnes iztukšošana

- Novietojiet zem degvielas tvertnes degvielas savākšanas tvertni.
- Noņemiet degvielas tvertnes vāciņu.
- Piespiediet šļūtenes skavas uz degvielas šļūtenes karburatoram.
- Atvienojiet degvielas šļūteni no karburatora.
- Ievietojiet degvielas tvertnes šļūteni degvielas savākšanas tvertnē un noņemiet šļūtenes skavas.
- Sasveriet zāles plāvēju, lai ielietu tvertnē degvielu.

## Degvielas filtra maiņa



**BRĪDINĀJUMS:** Lietojiet aizsargcimdus.

- Iztukšojiet degvielas tvertni.
- Pārvietojiet šļūtenes skavu no degvielas tvertnes. (Att. 44)
- Izņemiet degvielas šļūteni no degvielas tvertnes. Var iztecēt nedaudz degvielas. (Att. 45)
- Izņemiet degvielas filtru no degvielas tvertnes. (Att. 46)
- Degvielas tvertnē ievietojiet jaunu degvielas filtru.
- Pievienojiet degvielas šļūteni degvielas tvertnei.
- Novietojiet šļūtenes skavu pret degvielas tvertni.

## Sajūga vada regulēšana (LC 140SP)

Tālāk norādītajos gadījumos sajūga vads ir jāsašina:

- Rīteņu piedziņa nesaslēdzas, kad tiek pavilkts piedziņas rokturis vai apgriezienu skaita regulēšanas svira.
- Izstrādājums pārvietojas lēni, kad rīteņu piedziņa ir saslēgusies.

Tālāk norādītajos gadījumos sajūga vads ir jāpagarina:

- Izstrādājums pārvietojas, kad rīteņu piedziņa nav saslēgusies.
- Sajūga vada regulēšana.

- a) Lai saīsinātu sajūga vadu, pagrieziet regulēšanas skrūvi pretēji pulksteņa rādītāju kustības virzienam.
- b) Lai pagarinātu sajūga vadu, pagrieziet regulēšanas skrūvi pulksteņa rādītāju kustības virzienā. (Att. 47)

Ja izstrādājuma pārvietošanās pēc regulēšanas joprojām nav apmierinoša, sazinieties ar izplatītāju, kas nodrošina servisu

## Dzinēja problēmu novēršana

Problēma	Iespējamais iemesls	Risinājums
Nevar iedarbināt motoru.	Nav pareizi pievienots aizdedzes kabelis.	Pievienojiet aizdedzes kabeli aizdedzes svecei.
	Degvielas tvertne ir tukša.	Uzpildiet degvielas tvertni ar atbilstoša veida degvielu.
	Degviela ir veca.	Iztukšojiet degvielas tvertni un karburatoru. Ielejiet jaunu benzīnu.
	Karburatorā vai degvielas pievades caurulē ir netīrumi.	Iztīriet karburatoru un/vai degvielas cauruļvadu.
	Aizdedzes svece ir bojāta.	Noregulējiet elektrodu atstarpi, notīriet vai nomainiet aizdedzes sveci.
	Uz aizdedzes sveces ir degviela.	Notīriet aizdedzes sveci.
Dzinēju nevar apturēt.	Apturēšanas mehānisms nedarbojas pareizi.	Atvienojiet aizdedzes vadu no aizdedzes sveces. Uzticiet produkta remontu apstiprināta apkopes dienesta pārstāvim.
Dzinējs darbojas nevienmērīgi.	Nav pareizi pievienots aizdedzes kabelis.	Pievienojiet aizdedzes kabeli aizdedzes svecei.
	Degvielas cauruļvadā ir netīrumi vai degvielai ir beidzies derīguma termiņš.	Iztīriet degvielas cauruļvadu. Uzpildiet degvielas tvertni ar svaigu, atbilstošu degvielu.
	Aizsērējis degvielas tvertnes vāciņš.	Iztīriet degvielas tvertnes vāciņu.
	Degvielas sistēmā ir ūdens vai netīrumi.	Iztukšojiet degvielas tvertni. Uzpildiet degvielas tvertni ar svaigu, atbilstošu degvielu.
	Netīrs gaisa filtrs.	Iztīriet gaisa filtru.
	Jāregulē karburators.	Uzticiet karburatora regulēšanu apkopes dienesta darbiniekiem.
Motors pārāk sakarst.	Dzinēja eļļas līmenis ir pārāk zems.	Iepildiet dzinēja eļļu.
	Nepietiekama gaisa plūsma.	Iztīriet gaisa filtru un gaisa filtra korpusu.
	Jāregulē karburators.	Uzticiet karburatora regulēšanu apkopes dienesta darbiniekiem.
Dzinējam darbojoties ar lielu apgriezīgu skaitu, rodas dzinēja aizdedzes kļūme.	Pārāk maza elektrodu atstarpe aizdedzes svecē.	Pielāgojiet elektrodu atstarpi.

Problēma	Iespējamais iemesls	Risinājums
Neparasti trokšņi dzinējā normālas slodzes apstākļos.	Nepareizs benzīna tips.	Iztukšojiet degvielas tvertni un karburatoru. Ielejiet jaunu benzīnu. Skatiet šeit: <i>Degvielas uzpildīšana lpp. 219</i> . Ja problēma joprojām pastāv, sazinieties ar vietējo apkopes dienestu.
Dzinējs nedarbojas vienmērīgi tukšgaitas ātrumā.	Nefīra, bojāta aizdedzes svece vai pārāk plata elektrodu atstarpe.	Noregulējiet elektrodu atstarpi vai nomainiet aizdedzes sveci.
	Jāregulē karburators.	Noregulējiet karburatoru.
	Netīrs gaisa filtrs.	Iztīriet gaisa filtru.

## Pārvadāšana, glabāšana un utilizēšana

### Transportēšana un glabāšana

- Attiecībā uz izstrādājuma un degvielas glabāšanu un transportēšanu pārliecinieties, vai nav noplūdes vai tvaiku. Dzirksteles vai atklātas liesmas, ko rada, piemēram, elektroierīces vai tvaika katli, var izraisīt ugunsgrēku.
- Vienmēr izmantojiet apstiprinātas tvertnes degvielas glabāšanai un transportēšanai.
- Iztukšojiet degvielas tvertni, pirms novietojat izstrādājumu glabāšanai uz ilgāku laiku. Nododiet degvielu piemērojamā utilizēšanas vietā.
- Transportēšanas laikā droši nostipriniet izstrādājumu, lai novērstu bojājumus un negadījumus.
- Glabājiet izstrādājumu norobežotā vietā, lai novērstu to, ka tam var piekļūt bērni vai personas, kam tas nav atļauts.

- Glabājiet izstrādājumu sausā vietā, kurā temperatūra nepazeminās zem 0°C.

### Utilizēšana

- Ievērojiet vietējās pārstrādes prasības un piemērojamus noteikumus.
- Utilizējiet visas ķīmikālijas, piemēram, dzinēja eļļu vai degvielu, servisa centrā vai piemērojamā utilizācijas vietā.
- Kad izstrādājums vairs netiek izmantots, nosūtiet to Husqvarna izplatītājam vai nogādājiet to pārstrādes vietā.

## Tehniskie dati

### Tehniskie dati

	LC 140P	LC 140SP
<b>Dzinējs</b>		
Zimols	Husqvarna	Husqvarna
Dzinēja modeļa nosaukums	HS 123A	HS 123A
Dzinēja tips	Viencilindra, 4 taktu, piespiedu gaisa dzesēšana, OHV	Viencilindra, 4 taktu, piespiedu gaisa dzesēšana, OHV
Dzinēja darba tilpums, cm <sup>3</sup>	123	123
Ātrums, apgr./min	3000	3000



	LC 140P	LC 140SP
Dzinēja nomināljauda, kW <sup>108</sup>	1,95	1,95
<b>Aizdedzes sistēma</b>		
Aizdedzes svece	Husqvarna HQT-7	Husqvarna HQT-7
Atstatums starp elektrodiem, mm	0,7–0,8	0,7–0,8
<b>Degvielas un eļļošanas sistēma</b>		
Dzinēja eļļošanas veids	Šķaideļļošana	Šķaideļļošana
Degvielas tvertnes tilpums, litri	0,9	0,9
Eļļas tvertnes tilpums, litri	0,5	0,5
Dzinēja eļļa <sup>109</sup>	Husqvarna SAE 30, Husqvarna SAE 5W-30 Syntetic, Husqvarna SAE 10W-40	Husqvarna SAE 30, Husqvarna SAE 5W-30 Syntetic, Husqvarna SAE 10W-40
<b>Svars</b>		
Svars ar tukšu tvertni, kg	25,2	26,8
<b>Trokšņa emisija<sup>110</sup></b>		
Akustiskās jaudas līmenis, izmērītais, dB (A)	93	93
Akustiskās jaudas līmenis, garantētais, L <sub>WA</sub> dB(A)	94	94
<b>Skaņas līmeņi<sup>111</sup></b>		
Skaņas spiediena līmenis pie operatora auss, dB(A)	82	82
<b>Vibrācijas līmeņi<sup>112</sup></b>		
Roktura stieņa vibrācija, m/s <sup>2</sup>	5,6	7,6
<b>Pļaušanas aprīkojums</b>		
Pļaušanas augstums, mm	25–75	25–75
Pļaušanas platums, mm	400	400
Pļaušanas sistēma	Savākšana/aizmugurējā izmete	Savākšana/aizmugurējā izmete
Asmeņi — standarta	Savākšana, 5873863-10	Savākšana, 5873863-10
Zāles savācēja tilpums, litri	50	50
<b>Braukšana</b>		

<sup>108</sup> Maksimāli pieļaujamā dzinēja jauda ir vidējā tipiskā ražošanas dzinēja neto jauda (pēc noteiktajiem apgr./min.) dzinēja modelim, kas mērīta pēc SAE standarta J1349/ISO1585. Vairumam dzinēju šis lielums var atšķirties no šeit norādītā. Faktiskā izejas jauda dzinējam, kas uzstādīts zāles plāvējā, būs atkarīga no darbības ātruma, vides apstākļiem un citiem raksturlielumiem.

<sup>109</sup> Izmantojiet API SJ vai augstākas kvalitātes dzinēja eļļu. Ja eļļu SAE-30 lieto, kad temperatūra ir zemāka par +5 °C, pastāv nepietiekamas dzinēja eļļošanas risks. Tas var izraisīt dzinēja bojājumus. Informāciju par zemu temperatūrai piemērotu eļļu skatiet šeit: *Dzinēja eļļas maiņa lpp. 221*. Skatiet viskozitātes tabulu dzinēja rokasgrāmatā (ja iekļauta) un izvēlieties piemērotāko viskozitāti atbilstoši paredzamajai āra temperatūrai.

<sup>110</sup> Atbilstoši EK direktīvai 2000/14/EK trokšņa emisija apkārtņē ir mērīta kā akustiskā jauda (L<sub>WA</sub>).

<sup>111</sup> Sniegtajos datos par skaņas spiediena līmeni tipiskā statistiskā izkliede ir 1,2 dB(A) (standartnovirze).

<sup>112</sup> Sniegtajos datos par vibrācijas līmeni tipiska statistiskā izkliede ir 0,2 m/s<sup>2</sup> (standarta novirze).

	<b>LC 140P</b>	<b>LC 140SP</b>
Kustības ātrums, km/h	-	4

# Atbilstības deklarācija

## ES atbilstības deklarācija

Mēs, **Husqvarna AB**, SE-561 82 Huskvarna, Zviedrija,  
tālr. +46-36-146500, ar pilnu atbildību apliecinām, ka šis  
izstrādājums:

<b>Apraksts</b>	Zāles plaujmašīna
<b>Zīmols</b>	Husqvarna
<b>Tips/modelis</b>	LC 140P, LC 140SP
<b>Identifikācija</b>	Ar sērijas numuriem no 2022 un turpmākiem sērijas numuriem

pilnībā atbilst šādām ES direktīvām un noteikumiem:

<b>Noteikums</b>	<b>Apraksts</b>
2006/42/EK	"par iekārtām"
2014/30/ES	"par elektromagnētisko savietojamību"
2000/14/EK	"par trokšņa emisiju vidē"
2011/65/ES	Par dažādu bīstamo vielu lietošanas ierobežojumiem elektriskajos un elektroniskajos aprīkojumos

un ir ievēroti zemāk norādītie saskaņotie standarti un/vai tehniskie dati: EN ISO 5395-1:2013/A1:2018, EN ISO 5395-2:2013/A1:2016/A2:2017, EN ISO 14982:2009, EN IEC 63000:2018

Informētā valsts iestāde: 0404, RISE SMP Svensk Maskinprovning AB, Box 4053, SE-904 03 Umeå, Sweden ir apstiprinājusi atbilstību Eiropas Padomes direktīvai 2000/14/EK, atbilstības izvērtēšanas kārtībai: VI pielikums.

Lai iegūtu informāciju par trokšņa emisiju, skatiet šeit:  
*Tehniskie dati lpp. 224.*

Huskvarna, 2022-09-27



Claes Losdal, nodaļas vadītājs/dārzkopības izstrādājumi,  
Husqvarna AB

Atbildīgais par tehnisko dokumentāciju



---

# Inhoud

---

Inleiding.....	228	Storingzoeken in de motor.....	237
Veiligheid.....	229	Vervoer, opslag en verwerking.....	238
Montage.....	232	Technische gegevens.....	239
Werking.....	232	Verklaring van overeenstemming.....	241
Onderhoud.....	234		

---

## Inleiding

---

### Productbeschrijving

Het product is een roterende duwmaaier. Het gras wordt verzameld in een grasopvangbak. Verwijder de grasopvangbak om het gras aan de achterkant af te voeren.

### Productoverzicht

(Fig. 1)

1. Hendel / handgreep
2. Aandrijfhendel (LC 140SP)
3. Startkoordhendel
4. Grasopvangbak
5. Brandstoftank
6. Luchtfilter
7. Bougie
8. Kap van maaidek
9. Geluiddemper
10. Olietankdop
11. Maaihogtehendel
12. Achterklep
13. Motorremhendel
14. Symbolen
15. Montagepunt onderste hendel
16. Onderste hendel
17. Bedieningshandleiding
18. Olietrichter

### Symbolen op het product

- (Fig. 2) **WAARSCHUWING!** Wees voorzichtig en gebruik het product op de juiste manier. Dit product kan ernstig of fataal letsel toebrengen aan de gebruiker of anderen.
- (Fig. 3) Lees de bedieningshandleiding zorgvuldig door en zorg dat u de instructies hebt begrepen voordat u het product gebruikt.
- (Fig. 4) Kijk uit voor weggeslingerde en afgeketste voorwerpen.
- (Fig. 5) Houd personen en dieren op veilige afstand van het werkgebied.

### Gebruik

Gebruik het product om gras te maaien. Gebruik het product niet voor andere taken.

- (Fig. 6) Waarschuwing: Houd handen en voeten uit de buurt van het roterende mes.
- (Fig. 7) Waarschuwing: Houd handen en voeten uit de buurt van draaiende onderdelen.
- (Fig. 8) Zet de motor uit en verwijder de ontstekingskabel voordat u reparaties of onderhoud uitvoert.
- (Fig. 9) Dit product voldoet aan de geldende EG-richtlijnen.
- (Fig. 10) Geluidsemissies naar het omgevingslabel volgens de richtlijnen en voorschriften van de EU en het VK en de wetgeving van Nieuw-Zuid-Wales "Protection of the Environment Operations (Noise Control) Regulation 2017". Het gegarandeerde geluidsvermogensniveau van het product staat vermeld in *Technische gegevens op pagina 239* en op het label.
- (Fig. 11) Dit product voldoet aan geldende VK-regelgeving.
- (Fig. 12) Risico op brand.
- (Fig. 13) Adem geen uitlaatgassen in. Uitlaatgassen van de motor bevatten koolmonoxide, een geurloos, giftig en uiterst gevaarlijk gas. Start de motor nooit binnenshuis of in gesloten ruimten.
- (Fig. 14) Warm oppervlak.
- (Fig. 15) Vul de motor met olie voordat u het product start.

---

**Let op:** Andere symbolen/stickers op het product hebben betrekking op certificeringseisen voor een aantal commerciële markten.

---

## Euro V-emissies

---



**WAARSCHUWING:** De EU-typegoedkeuring van dit product vervalt als ongeoorloofde wijzigingen aan de motor aangebracht worden.

---

## Schade aan het product

We zijn niet verantwoordelijk voor schade aan ons product als:

- het product niet goed is gerepareerd.
- het product is gerepareerd met onderdelen die niet van de fabrikant afkomstig zijn, of onderdelen die niet zijn goedgekeurd door de fabrikant.
- het product een accessoire bevat dat niet afkomstig is van de fabrikant of niet is goedgekeurd door de fabrikant.
- het product niet is gerepareerd door een erkend servicepunt of door een erkende autoriteit.

---

## Veiligheid

---

### Veiligheidsdefinities

Waarschuwingen, voorzorgsmaatregelen en opmerkingen worden gebruikt om te wijzen op belangrijke delen van de handleiding.



**WAARSCHUWING:** Wordt gebruikt om te wijzen op de kans op ernstig of fataal letsel voor de gebruiker of omstanders wanneer de instructies in de handleiding niet worden gevolgd.

---



**OPGELET:** Wordt gebruikt indien er een risico bestaat op schade aan het product en andere eigendommen of aan de omgeving wanneer de instructies in de handleiding niet worden gevolgd.

---

**Let op:** Geven verdere informatie die nodig is in een bepaalde situatie.

---

### Algemene veiligheidsinstructies

---



**WAARSCHUWING:** Lees de volgende waarschuwingen voordat u het product gaat gebruiken.

- Dit product is gevaarlijk als het verkeerd wordt gebruikt, of als u niet voorzichtig bent. Letsel of overlijden kunnen het gevolg zijn als u de veiligheidsvoorschriften negeert.
- Dit product produceert tijdens bedrijf een elektromagnetisch veld. Dit veld kan onder bepaalde omstandigheden de werking van actieve of passieve medische implantaten verstoren. Om het risico op ernstig of dodelijk letsel te beperken, raden we personen met een medisch implantaat aan om contact op te nemen met hun arts en de fabrikant

van het medische implantaat alvorens dit product te gaan gebruiken.

- Wees altijd voorzichtig en gebruik uw gezond verstand. Als u niet zeker weet hoe u het product moet bedienen in een bepaalde situatie, stop dan en informeer bij uw Husqvarna dealer voordat u verdergaat.
- Denk erom dat de bediener of gebruiker verantwoordelijk is voor ongelukken of beschadigingen aan eigendommen.
- Houd het product schoon. Zorg ervoor dat u de aanduidingen en stickers duidelijk kunt lezen.
- Laat niemand het product gebruiken tenzij u zeker weet dat deze de inhoud van de gebruikershandleiding hebben gelezen en begrepen.
- Laat het product niet door een kind bedienen.
- Houd kinderen uit het werkgebied. Er moet te allen tijde een verantwoordelijke volwassene aanwezig zijn.
- Laat de machine niet bedienen door personen die de instructies niet hebben gelezen.
- Houd personen met een lichamelijke of geestelijke beperking die het product gebruiken, altijd in de gaten. Er moet te allen tijde een verantwoordelijke volwassene aanwezig zijn.
- Gebruik het product nooit als u moe of ziek bent, of onder invloed van alcohol, drugs of medicijnen verkeert. Dit heeft een negatief effect op uw visie, alertheid, coördinatie en oordeel.
- Gebruik geen product dat is beschadigd of niet correct werkt.
- Wijzig dit product niet of gebruik het niet als het door anderen kan zijn gewijzigd.
- Wijzig de afstelling voor de motortoerentalregeling niet.

## Veiligheid van het werkgebied



**WAARSCHUWING:** Lees de volgende waarschuwingen voordat u het product gaat gebruiken.

- Verwijder objecten zoals takken, twijgen en stenen uit het werkgebied voordat u het product gaat gebruiken.
- Objecten die tegen de snijtrusting aankomen, kunnen worden uitgeworpen en schade veroorzaken aan personen en objecten. Houd omstanders en dieren op veilige afstand van het product.
- Gebruik het product nooit in slechte weersomstandigheden zoals mist, regen, sterke wind, hevige kou of als er gevaar is voor blikseminslag. Het gebruik van dit product bij slecht weer of op vochtige of natte plaatsen is vermoeiend. Slecht weer kan leiden tot gevaarlijke situaties zoals gladde ondergronden.
- Kijk uit voor personen, objecten en situaties die een veilig gebruik van het product kunnen verhinderen.
- Kijk uit voor obstakels zoals wortels, stenen, takjes, kuilen en greppels. Obstakels kunnen moeilijk te zien zijn door hoog gras.
- Gras maaien op hellingen kan gevaarlijk zijn. Gebruik het product niet op een helling van meer dan 15°.
- Gebruik het product dwars over het oppervlak van hellingen. Ga niet van boven naar beneden.
- Wees voorzichtig wanneer u in de buurt komt van onoverzichtelijke bochten en voorwerpen die uw zicht kunnen belemmeren.

## Werkveiligheid



**WAARSCHUWING:** Lees de volgende waarschuwingen voordat u het product gaat gebruiken.

- Gebruik dit product alleen om gazons te maaien. Het is niet toegestaan om het product voor andere doeleinden te gebruiken.
- Maak altijd gebruik van persoonlijke beschermingsmiddelen. Zie *Persoonlijke beschermingsuitrusting op pagina 230*.
- Zorg ervoor dat u weet hoe u de motor in een noodsituatie snel kunt stoppen.
- Start de motor nooit in een gesloten ruimte of in de buurt van brandbaar materiaal. De uitlaaddampen van de motor zijn heet en kunnen vonken bevatten die brand kunnen veroorzaken.
- Gebruik dit product alleen als het mes en alle afdekkingen correct zijn bevestigd. Een verkeerd bevestigd mes kan losraken en letsel veroorzaken.
- Zorg ervoor dat het mes geen voorwerpen raakt zoals stenen en wortels. Hierdoor kan het mes beschadigen en de motoras verbuigen. Een

gebogen as veroorzaakt zware trillingen en een zeer groot risico dat het mes losraakt.

- Stop het product onmiddellijk als het mes een voorwerp wordt geraakt of als zich trillingen voordoen. Ontkoppel de ontstekingskabel van de bougie. Controleer het product op schade. Repareer schade of laat een erkende servicewerkplaats de reparatie uitvoeren.
- Bevestig de motorremhendel nooit permanent aan de handgreep wanneer de motor wordt gestart.
- Plaats het product op een stabiele, vlakke ondergrond en start het. Zorg ervoor dat het mes niet in aanraking komt met de grond of andere voorwerpen.
- Blijf altijd achter het product wanneer u het gebruikt.
- Zorg dat alle wielen op de grond blijven en houd 2 handen op de handgreep tijdens de bediening van het product. Houd uw handen en voeten uit de buurt van de roterende messen.
- Kantel het product niet terwijl de motor draait.
- Wees voorzichtig wanneer u het product naar achteren trekt.
- Til het product nooit op terwijl de motor draait. Als het product toch moet worden opgetild, zet dan eerst de motor uit en ontkoppel de ontstekingskabel van de bougie.
- Loop niet achteruit wanneer u het product bedient.
- Stop de motor als u in gebieden zonder gras komt, bijvoorbeeld op paden van grind, stenen en asfalt.
- Loop niet hard met het product wanneer de motor is ingeschakeld. Loop altijd rustig wanneer u het product bedient.
- Zet de motor uit voordat u de maaihoogte wijzigt. Voer nooit afstellingen uit terwijl de motor draait.
- Houd altijd toezicht op het product wanneer de motor draait. Schakel de motor uit en zorg ervoor dat de snijtrusting niet draait.

## Veiligheidsinstructies voor bediening

### Persoonlijke beschermingsuitrusting



**WAARSCHUWING:** Lees de volgende waarschuwingen voordat u het product gaat gebruiken.

- Persoonlijke beschermingsuitrusting kunnen niet alle risico's uitsluiten maar kunnen de ernst van eventueel letsel helpen beperken. Vraag uw dealer u te helpen bij het kiezen van de juiste beschermingsmiddelen.
- Gebruik gehoorbescherming als het geluidsniveau hoger is dan 85 dB.
- Gebruik zware antisliplaarzen of -schoenen. Draag geen open schoenen en loop niet op blote voeten.
- Draag een lange broek van stevige stof.
- Draag zo nodig beschermende handschoenen, bijvoorbeeld bij het monteren, inspecteren of reinigen van de snijtrusting.

## Veiligheidsvoorzieningen op het product

---



**WAARSCHUWING:** Lees de volgende waarschuwingen voordat u het product gaat gebruiken.

---

- Gebruik geen producten met veiligheidsvoorzieningen die beschadigd zijn of niet correct werken.
- Controleer de veiligheidsvoorzieningen regelmatig op een juiste werking. Als de veiligheidsvoorzieningen beschadigd zijn of niet goed werken, neem dan contact op met uw Husqvarna servicedealer.
- Voer geen veranderingen uit aan veiligheidsvoorzieningen.

### De kap van het maaidek controleren

De kap van het maaidek vermindert trillingen in het product en vermindert het risico op letsel door het mes.

- Controleer de kap van het maaidek om te zien of er geen schade is, zoals barsten.

### De remhendel van de motor controleren

De motorrem schakelt de motor uit. Als de remhendel van de motor wordt losgelaten, stopt de motor.

- Start de motor en laat vervolgens de remhendel van de motor los. Als de motor niet binnen 3 seconden stopt, laat u een erkende Husqvarna serviceerkerplaats de motorrem afstellen. (Fig. 16)

### Geluiddemper

De uitlaatdemper is bedoeld om het geluidsniveau zo laag mogelijk te houden en om de uitlaatgassen weg te voeren van de gebruiker.

Gebruik het product niet als de geluiddemper ontbreekt of beschadigd is. Een beschadigde geluiddemper laat het geluidsniveau stijgen en vergroot het risico van brand.



**WAARSCHUWING:** De uitlaatdemper wordt erg heet tijdens en na gebruik en wanneer de motor draait bij stationair toerental. Wees voorzichtig in de buurt van brandbare materialen en/of dampen om brand te voorkomen.

---

### Brandstofveiligheid

---



**WAARSCHUWING:** Lees de volgende waarschuwingen voordat u het product gaat gebruiken.

---

- Start het product niet als er brandstof of motorolie op het product aanwezig is. Verwijder de ongewenste brandstof/olie en laat het product drogen.

- Als u brandstof op uw kleding morst, trek dan direct andere kleding aan.
- Zorg dat er geen brandstof op uw lichaam terecht komt, dit kan letsel veroorzaken. Als er brandstof op uw lichaam terecht komt, verwijder deze dan met water en zeep.
- Start het product niet als er sprake is van een motorlekkage. Controleer de motor regelmatig op lekkage.
- Wees voorzichtig met brandstof. Brandstof is licht ontvlambaar en de dampen zijn explosief. Ze kunnen letsel veroorzaken of leiden tot de dood.
- Adem geen brandstofdampen in, dit kan letsel veroorzaken. Zorg voor voldoende ventilatie.
- Rook niet in de buurt van de brandstof of de motor.
- Plaats geen warme voorwerpen in de buurt van de brandstof of de motor.
- Vul geen brandstof bij wanneer de motor is ingeschakeld.
- Zorg ervoor dat de motor koud is wanneer u brandstof bijvult.
- Draai de tankdop langzaam open en laat de druk voorzichtig ontsnappen voordat u brandstof bijvult.
- Vul geen brandstof voor de motor bij in een afgesloten ruimte. Onvoldoende ventilatie kan leiden tot ernstig letsel of de dood door verstikking of het inademen van koolmonoxide.
- Draai de tankdop volledig aan. Als de tankdop niet volledig is aangedraaid, bestaat een risico op brand.
- Verplaats het product minstens 3 m van de plaats waar u de brandstoftank hebt gevuld, voordat u het product start.
- Vul de brandstoftank niet volledig. Door hitte zet de brandstof uit. Zorg ervoor dat er ruimte overblijft aan de bovenkant van de brandstoftank.
- Wanneer er nog brandstof in de tank zit, mag u het product nooit stallen in een gebouw waar ontstekingsbronnen zoals boilers, verwarmingstoestellen, kledingdrogers en dergelijke aanwezig zijn. Laat de motor afkoelen voordat u het product opslaat in een afgesloten ruimte.

### Veiligheidsinstructies voor onderhoud

---



**WAARSCHUWING:** Lees de volgende waarschuwingen voordat u het product gaat gebruiken.

---

- Uitlaatgassen van de motor bevatten koolmonoxide, een geurloos, giftig en uiterst gevaarlijk gas. Start de motor nooit binnenshuis of in gesloten ruimten.
- Voordat u het onderhoud van het product uitvoert, zet u de motor uit en verwijderd u de ontstekingskabel van de bougie.
- Draag beschermende handschoenen wanneer u onderhoud aan de snijuitrusting uitvoert. Het mes is zeer scherp en kan gemakkelijk snijwonden veroorzaken.

- Accessoires en wijzigingen aan het product die niet zijn goedgekeurd door de fabrikant, kunnen leiden tot ernstig letsel of overlijden. Breng geen wijzigingen aan het product aan. Gebruik alleen accessoires die zijn goedgekeurd door de fabrikant.
- Als het onderhoud niet correct en regelmatig wordt uitgevoerd, neemt de kans op letsel of schade aan het product toe.
- Voer alleen onderhoud uit zoals beschreven in deze gebruikershandleiding. Alle overige

onderhoudswerkzaamheden moeten worden uitgevoerd door een erkende Husqvarna servicewerkplaats.

- Laat een erkende Husqvarna servicewerkplaats regelmatig onderhoud aan het product uitvoeren.
- Vervang beschadigde, versleten of defecte onderdelen.

---

## Montage

---

### Hendel monteren

1. Duw de schroef (A) door de handgreep (B), de kunststof ring (C) en de steunbeugel van de handgreep (D). (Fig. 17)
2. Draai de moer (E) volledig vast.
3. Duw de schroef (F) door de ring (G) en de steunbeugel van de handgreep.
4. Draai de knop (H) volledig vast.
5. Lijn de gaten in de handgreep uit met de openingen in de onderste hendel en breng de schroeven, sluitringen en knoppen aan. Draai de knoppen volledig vast. (Fig. 18)
6. Bevestig de kabels aan de handgreep met behulp van de kabelhouders. (Fig. 19)

**Let op:** Zorg ervoor dat de kabels niet te strak gespannen staan. Een kabel die te strak gespannen staat, kan beschadigd raken als de handgreep in de transportstand wordt geklapt.

7. Leid de kabels om de haak onder aan de handgreep. (Fig. 20)

### Hoogte van de hendel afstellen

1. Draai de onderste knoppen los. (Fig. 21)
2. Verwijder de knop, de ring en de schroef aan de linker- en rechterkant.
3. De handgreep kan op 2 verschillende hoogten worden ingesteld. Plaats de schroef in één van de 2 gaten aan de linker- en rechterkant. (Fig. 22)
4. Breng de schroeven, sluitringen en knoppen aan.
5. Beweeg de knoppen omhoog naar de handgreep tot de aanslag en u een klik hoort. Draai de knoppen volledig vast. (Fig. 23)

### Product in de transportstand zetten

1. Verwijder de grasopvangbak.
2. Draai de knoppen van de bovenste handgreep los en klap de handgreep omlaag. (Fig. 24)
3. Draai de onderste knoppen los.
4. Beweeg de knoppen naar het onderste uiteinde van de sleuven aan de linker- en rechterzijde van het product. (Fig. 25)
5. Klap de hendel naar voren. (Fig. 26)

### Product in de werkstand zetten

1. Til de handgreep omhoog totdat de onderste handgreep in de werkstand wordt vergrendeld. (Fig. 27)
2. Beweeg de knoppen omhoog naar de handgreep tot de aanslag en u een klik hoort.
3. Draai de knoppen volledig vast. (Fig. 28)
4. Til het bovenste deel van de handgreep omhoog.
5. Draai de knoppen volledig vast. (Fig. 29)

### Grasopvangbak monteren

1. Bevestig het bovenste deel van de grasopvangbak aan het onderste deel van de grasopvangbak. (Fig. 30)
2. Bevestig het frame van de grasopvangbak met de klemmen. (Fig. 31)
3. Til de achterklep op.
4. Bevestig de haken op de grasopvangbak aan de bovenrand van het chassis. (Fig. 32)
5. Plaats het onderste deel van de grasopvangbak in het grasuitwerpkanaal.

---

## Werking

---

### Inleiding

hoofdstuk over veiligheid te lezen en hebben begrepen.



**WAARSCHUWING:** Voordat u het product gaat gebruiken, dient u het



## Husqvarna Connect

Husqvarna Connect is een gratis app voor uw mobiele apparaat. De Husqvarna Connect-app biedt uitgebreide functies voor uw Husqvarna-product:

- Uitgebreide productinformatie.
- Informatie over, en hulp bij, onderdelen en onderhoud van uw product.

### Husqvarna Connect gebruiken

1. Download de Husqvarna Connect-app op uw mobiele apparaat.
2. Registreer in de Husqvarna Connect-app.
3. Volg de instructies in de Husqvarna Connect-app om verbinding te maken met het product en dit te registreren.

### Voordat u het product gaat bedienen

1. Lees de gebruikershandleiding zorgvuldig door en zorg dat u de instructies hebt begrepen.
2. Controleer de snijuitrusting om te zien of deze correct is gemonteerd en afgesteld. Zie *Snijuitrusting controleren op pagina 235*.
3. Vul de brandstoftank. Zie *Brandstof bijvullen op pagina 233*.
4. Vul de olietank en controleer het oliepeil. Zie *Oliepeil controleren op pagina 235*.

### Brandstof bijvullen

Gebruik, indien beschikbaar, benzine met een lage emissiegraad/alkylaatbrandstof. Als er geen emissiearme benzine of alkylaatbrandstof beschikbaar is, gebruik dan een loodvrije benzine van goede kwaliteit, of loodhoudende benzine met een octaangetal dat niet lager is dan 91.



**OPGELET:** Gebruik geen benzine met een octaangetal lager dan 91 RON. Dit kan schade aan het product veroorzaken.



**OPGELET:** Vervang het brandstoffilter jaarlijks of vaker, indien nodig. Een nieuw brandstoffilter is verkrijgbaar bij uw Husqvarna-dealer.



**OPGELET:** Schakel de motor altijd uit voordat u brandstof bijvult.



**OPGELET:** Gebruik geen startvloeistoffen onder druk.

1. Draai de brandstoftankdop langzaam los om de druk te laten ontsnappen.

2. Vul langzaam met een benzinejerrycan. Als u brandstof morst, verwijder deze dan met een doek en laat de resterende brandstof opdrogen. (Fig. 33)
3. Maak het gebied rondom de brandstoftankdop goed schoon.
4. Draai de tankdop volledig aan. Als de tankdop niet volledig is aangedraaid, bestaat een risico op brand.
5. Verplaats het product minstens 3 m van de plaats waar u de brandstoftank hebt gevuld, voordat u het product start.

### Maaihoogte afstellen

1. Breng de maaihoogtehendel naar achteren om de maaihoogte te vergroten.
2. Breng de maaihoogtehendel naar voren om de maaihoogte te verkleinen. (Fig. 34)



**OPGELET:** Stel de maaihoogte niet te laag in. Als het oppervlak van het gazon niet waterpas is, kunnen de messen de grond raken.

### Product starten

1. Controleer of de ontstekingskabel is verbonden met de bougie.
2. Blijf achter het product.
3. Houd de motorremhendel tegen de handgreep. (Fig. 35)
4. Houd het startkoord in uw rechterhand.
5. Trek het startkoord langzaam naar buiten totdat u enige weerstand voelt.
6. Krachtig trekken om de motor te starten.



**WAARSCHUWING:** Wikkel het startkoord niet rond uw hand.

### De aandrijving op de wielen gebruiken

- Druk de aandrijfhendel in de richting van de handgreep. (Fig. 36)
- Laat de aandrijfhendel los om de aandrijving uit te schakelen, bijvoorbeeld wanneer u bij een obstakel komt.
- Voordat u het product naar achteren trekt, moet u de aandrijving uitschakelen en het product ongeveer 10 cm naar voren duwen.

### Product stoppen

- Als u de alleen de aandrijving wilt stoppen, laat u de aandrijfhendel los.
- Als u de motor wilt stoppen, laat u de motorremhendel los.

## Een goed resultaat verkrijgen

- Gebruik altijd een scherp mes. Een bot mes geeft een onregelmatig resultaat en het snijvlak van het gras wordt geel. Een scherp mes verbruikt ook minder energie dan een bot mes.
- Maai nooit meer dan 1/3e van de lengte van het gras af. Maai eerst met een hoog ingestelde maaahoogte. Controleer het resultaat en verlaag de snijhoogte tot een geschikt niveau. Als het gras echt lang is, rijd dan langzaam en maai zo nodig 2 keer.

- Maai elke keer in een andere richting, om het ontstaan van strepen in het gazon te voorkomen.
- Houd de kap van het maaidek schoon. Door ophoping van gras en vuil aan de binnenkant van de kap van het maaidek kunnen de maairesultaten verminderen. Zie *Binnenoppervlak van de kap van het maaidek reinigen op pagina 235*.

---

## Onderhoud

---

### Inleiding



**WAARSCHUWING:** Voordat u onderhoud gaat uitvoeren, dient u het hoofdstuk over veiligheid te lezen en hebben begrepen.



**OPGELET:** Zorg ervoor dat het luchtfilter aan de bovenkant zit en de grond niet raakt wanneer u het product kantelt. Risico van schade aan de motor.

Voor alle onderhouds- en reparatiewerkzaamheden aan het product is speciale training nodig. Wij garanderen de beschikbaarheid van professionele reparaties en onderhoud. Indien uw dealer geen servicewerkplaats heeft, vraag hem dan naar de dichtstbijzijnde servicewerkplaats.

Zie voor meer gedetailleerde informatie.

De onderhoudsintervallen worden berekend op basis van het dagelijks gebruik van het product. De intervallen veranderen als het product niet dagelijks wordt gebruikt.

Voor onderhoud dat is gemarkeerd met \*: zie de instructies in *Veiligheidsvoorzieningen op het product op pagina 231*.

Onderhoud	Elke dag	Maandelijks	Elk seizoen
Algemene inspectie uitvoeren	X		
Motoroliepeil controleren	X		
De olie verversen (de eerste keer na 5 uur gebruik, vervolgens na elke 50 uur gebruik) <sup>113</sup>			X
Product reinigen	X		
Snijuitrusting controleren	X		
Kap van het maaidek controleren *	X		
Motorremhendel controleren *	X		
Geluiddemper controleren *		X	
Controleer de bougie. Reinig of vervang de bougie indien nodig			X
Luchtfilter controleren	X		
Luchtfilter reinigen <sup>114</sup>		X	
Vervang het luchtfilter			X
Brandstofsysteem controleren			X

<sup>113</sup> Als het product wordt gebruikt onder zware belasting of bij hoge omgevingstemperaturen, moet de motorolie om de 25 uur worden verversen.

<sup>114</sup> Reinig vaker onder stoffige omstandigheden of wanneer er vuil in de lucht aanwezig is. Vervang het luchtfilter als het erg vuil is.

Onderhoud	Elke dag	Maandelijks	Elk seizoen
Reinig de koelvinnen op de cilinder		X	
Controleer de koppelingskabel en stel deze af (LC 140SP)			X

## Algemene inspectie uitvoeren

- Controleer of alle moeren en schroeven op het product goed zijn vastgedraaid.

## Product aan de buitenkant reinigen

- Gebruik een borstel om bladeren, gras en vuil te verwijderen.
- Zorg dat de luchtinlaat op de bovenkant van de motor niet is geblokkeerd.
- Reinig het product niet met een hogedrukspuit.
- Als u water gebruikt om het product te reinigen, spuit dan geen water rechtstreeks op de motor.

## Binnenoppervlak van de kap van het maaidek reinigen

- Leeg de brandstoftank.
- Kantel het product. Zorg ervoor dat de bougie omhoog wijst.



**OPGELET:** Als het product met het luchtfilter naar beneden wordt geplaatst, kan de motor beschadigd raken.

- Spuit de binnenkant van het maaidek schoon met water.

## Snijuitrusting controleren



**WAARSCHUWING:** Verwijder de ontstekingskabel van de bougie om te voorkomen dat de motor per ongeluk wordt gestart.



**WAARSCHUWING:** Draag beschermende handschoenen wanneer u onderhoud aan de snijuitrusting uitvoert. Het mes is zeer scherp en kan gemakkelijk snijwonden veroorzaken.

- Controleer de snijuitrusting op beschadiging of scheuren. Vervang beschadigde snijuitrusting altijd.
- Kijk naar het mes om te zien of dit is beschadigd of bot is.

**Let op:** Het mes moet na het slijpen worden gebalanceerd. Laat het slijpen, vervangen en balanceren door een servicecentrum uitvoeren. Als u een obstakel raakt waardoor het product stopt, vervang dan het beschadigde mes. Laat het servicecentrum

beoordelen of het mes kan worden geslepen of moet worden vervangen.

## Mes vervangen

- Zet het mes vast met een houten blok. (Fig. 37)
- Verwijder de mesbout en de veerring.
- Verwijder het mes.
- Controleer de messteun en de mesbout om te zien of er schade is.
- Controleer de motoras om te controleren of deze niet is verbogen.
- Wanneer u het nieuwe mes bevestigt, richt dan de gebogen uiteinden van het mes naar de kap van het maaidek. (Fig. 38)
- Controleer of het mes is uitgelijnd met het midden van de motoras.
- Zet het mes vast met een houten blok. Bevestig de veerring en draai de bout en ring vast met een aanhaalmoment van 45–60 Nm. (Fig. 39)
- Draai het mes met de hand rond en controleer of het vrij draait.



**WAARSCHUWING:** Draag handschoenen van dikke stof. Het mes is zeer scherp en kan gemakkelijk snijwonden veroorzaken.

- Start het product om het mes te testen. Als het mes niet goed is bevestigd, zijn er trillingen in het product of is het maaieresultaat niet goed.

## Oliepeil controleren



**OPGELET:** Een te laag oliepeil kan ernstige schade aan de motor veroorzaken. Voer een controle van het oliepeil uit voordat u het product start.

- Zet het product op een vlakke ondergrond.
- Verwijder de olietankdop met de bijgevoegde peilstok.
- Veeg de olie van de peilstok.
- Steek de peilstok volledig in de olietank om een goed beeld van het oliepeil te krijgen. Draai de olietankdop niet vast.
- Verwijder de olietankdop met de bijgevoegde peilstok.
- Controleer het oliepeil op de peilstok.

- Als het oliepeil laag is, vult u bij met motorolie en controleert u het oliepeil opnieuw. (Fig. 40)

**Let op:** Gebruik een trechter om morsen te voorkomen.

- Plaats de dop van de olietank wanneer het oliepeil correct is.

## De motorolie verversen



**WAARSCHUWING:** Motorolie is nog erg heet direct nadat de motor is uitgezet. Laat de motor afkoelen voordat u de motorolie aftapt. Als u motorolie morst op uw huid, was die dan af met water en zeep.

(Fig. 41)

- Gebruik het product totdat de brandstoftank leeg is.
- Verwijder de ontstekingskabel van de bougie.
- Verwijder de olietankdop met de bijgevoegde peilstok.
- Plaats een opvangbak onder het product om de motorolie in op te vangen.
- Kantel het product of tap de motorolie af uit de olietank met een oliepompe (accessoire).
- Vul bij met nieuwe motorolie van het type dat wordt aanbevolen in *Technische gegevens op pagina 239*.
- Controleer het oliepeil. Zie *Oliepeil controleren op pagina 235*.
- Plaats de dop van de olietank wanneer het oliepeil correct is.

## Kunststof schuimfilter reinigen



**OPGELET:** Start de motor niet zonder de luchtfilters. De slijtage van de motor neemt toe als de lucht vuil is.

- Verwijder het luchtfilterdeksel (A). (Fig. 42)
- Verwijder de kunststof schuimfilters (B).



**OPGELET:** Controleer de kunststof schuimfilters op schade of slijtage. Vervang alle beschadigde kunststof schuimfilters.

- Reinig de kunststof schuimfilters met water en zeep.
- Spoel de kunststof schuimfilters af in schoon water.
- Knijp het water uit de kunststof schuimfilters en laat ze drogen.



**OPGELET:** Gebruik geen perslucht. Dit kan het kunststof schuimfilter beschadigen.

- Smeer de kunststof schuimfilters met motorolie.

- Duw een schone doek tegen het kunststof schuimfilter om overtollige olie te verwijderen.
- Monteer de kunststof schuimfilters. Zorg ervoor dat de kunststof schuimfilters volledig tegen de luchtfilterhouder aanligt.
- Breng het luchtfilterdeksel aan.

## De bougie controleren



**OPGELET:** Gebruik altijd het juiste bougietype. Een verkeerd type bougie kan schade aan het product veroorzaken.

- Controleer de bougie als de motor weinig vermogen heeft, niet gemakkelijk te starten is of stationair niet goed draait.
- Volg deze instructies om het risico van ongewenst materiaal op de elektroden van de bougie te beperken:
  - Zorg ervoor dat het stationair toerental altijd juist is afgesteld.
  - Zorg dat het brandstofmengsel correct is.
  - Zorg dat het luchtfilter schoon is.
- Maak de bougie schoon als deze vuil is en controleer of de afstand tussen de elektroden correct is, zie *Technische gegevens op pagina 239*. (Fig. 43)
- Vervang de bougie indien nodig.

## Brandstofsysteem controleren

- Controleer de brandstoftankdop en de afdichting van de brandstoftankdop om te zien of er geen schade is.
- Controleer de brandstofslang om te controleren of er geen lekken zijn. Als de brandstofslang beschadigd is, laat deze dan door een servicemonteur vervangen.

## De brandstoftank aftappen

- Plaats een opvangbak onder de brandstoftank.
- Verwijder de brandstoftankdop.
- Duw de slangklemmen op de brandstofleiding tegen de carburateur.
- Koppel de brandstofleiding van de carburateur los.
- Plaats de slang van de brandstoftank in de opvangbak en verwijder de slangklemmen.
- Kantel het product en laat de brandstof in de opvangbak lopen.

## Het brandstoffilter vervangen



**WAARSCHUWING:** Draag veiligheidshandschoenen.

- Tap de brandstoftank af.

2. Plaats de slangklem uit de buurt van de brandstoftank. (Fig. 44)
3. Verwijder de brandstofleiding van de brandstoftank. Er kan een kleine hoeveelheid brandstof weglekken. (Fig. 45)
4. Verwijder het brandstoffilter van de brandstoftank. (Fig. 46)
5. Plaats een nieuw brandstoffilter in de brandstoftank.
6. Breng de brandstofleiding op de brandstoftank aan.
7. Plaats de slangklem tegen de brandstoftank.

## De koppelingskabel afstellen (LC 140SP)

In de volgende situaties moet de koppelingskabel worden ingekort:

- De aandrijving van de wielen wordt niet ingeschakeld wanneer u aan de aandrijfhendel of de snelheidsregelhendel trekt.

- Het product beweegt langzaam wanneer de aandrijving van de wielen is ingeschakeld.

In de volgende situaties moet de koppelingskabel worden verlengd:

- Het product beweegt wanneer de aandrijving van de wielen niet is ingeschakeld.
- Stel de koppelingskabel af.
  - a) Om de koppelingskabel in te korten, draait u de stelschroef linksom.
  - b) Om de koppelingskabel te verlengen, draait u de stelschroef rechtsom. (Fig. 47)

Neem contact op met uw servicedealer als het product na afstelling nog steeds niet naar tevredenheid rijdt

---

## Storingzoeken in de motor

---

Probleem	Mogelijke oorzaak	Oplossing
De motor start niet.	De ontstekingskabel is niet correct aangesloten.	Sluit de ontstekingskabel aan op de bougie.
	De brandstoftank is leeg.	Vul de brandstoftank met het juiste type brandstof.
	De brandstof is oud.	Tap de brandstoftank en de carburateur af. Vul bij met nieuwe benzine.
	Vuil in de carburateur of brandstofleiding.	Reinig de carburateur en/of brandstofleiding.
	De bougie is beschadigd.	Pas de elektrodenafstand aan of reinig of vervang de bougie.
	Er zit brandstof op de bougie.	Reinig de bougie.
De motor stopt niet.	Het stopmechanisme werkt niet goed.	Ontkoppel de ontstekingskabel van de bougie. Laat onderhoud aan het product uitvoeren door een erkende servicewerkplaats.

Probleem	Mogelijke oorzaak	Oplossing
De motor loopt niet gelijkmatig.	De ontstekingskabel is niet correct aangesloten.	Sluit de ontstekingskabel aan op de bougie.
	De brandstofleiding is verontreinigd of de brandstof is verouderd.	Maak de brandstoftank schoon. Vul de brandstoftank met nieuwe brandstof van het juiste type.
	De brandstoftankdop is verstopt.	Reinig de brandstoftankdop.
	Er is water of vuil in het brandstofsysteem.	Tap de brandstoftank af. Vul de brandstoftank met nieuwe brandstof van het juiste type.
	Het luchtfilter is vuil.	Maak het luchtfilter schoon.
	De carburateur moet worden afgesteld.	Laat de carburateur afstellen door een servicedealer.
De motor wordt te heet.	Het motoroliepeil is te laag.	Vul motorolie bij.
	De luchtstroom is onvoldoende.	Reinig het luchtfilter en het luchtfilterhuis.
	De carburateur moet worden afgesteld.	Laat de carburateur afstellen door een servicedealer.
De motor slaat over wanneer deze op hoge snelheid draait.	De elektrodenafstand van de bougie is te klein.	Stel de elektrodenafstand af.
Ongewone geluiden van de motor tijdens normale belasting.	Verkeerd type benzine.	Tap de brandstoftank en de carburateur af. Vul bij met nieuwe benzine. Raadpleeg <i>Brandstof bijvullen op pagina 233</i> . Indien het probleem zich blijft voordoen, neem dan contact op met uw plaatselijke servicedealer.
De motor draait niet soepel bij stationair toerental.	De bougie is vervuild, beschadigd of de elektrodenafstand is te groot.	Pas de elektrodenafstand aan of vervang de bougie.
	De carburateur moet worden afgesteld.	Stel de carburateur af.
	Het luchtfilter is vuil.	Maak het luchtfilter schoon.

---

## Vervoer, opslag en verwerking

---

### Transport en opslag

- Controleer voor opslag en vervoer van het product en de brandstof of er geen lekken of dampen zijn. Vonken of open vuur, bijvoorbeeld van elektrische apparaten of ketels, kunnen tot brand leiden.
- Gebruik altijd goedgekeurde containers voor opslag en transport van brandstof.
- Leeg de brandstoftank voordat u het product voor langere tijd opslaat. De brandstof via een geschikte verwijderingslocatie afvoeren
- Zet het product tijdens het vervoer veilig vast om schade en ongevallen te voorkomen.

- Bewaar het product in een afgesloten ruimte om toegang door kinderen of onbevoegde personen te verhinderen.
- Bewaar het product in een droge en vorstvrije ruimte.

### Afvoeren

- Neem de plaatselijk geldende wet- en regelgeving voor recycling in acht.
- Voer alle chemicaliën, zoals olie of brandstof, af via een servicecentrum of een geschikte verwijderingslocatie.

- Wanneer het product niet langer in gebruik is, stuur het dan naar een Husqvarna dealer of voer het af via een recyclingslocatie.

## Technische gegevens

### Technische gegevens

	LC 140P	LC 140SP
<b>Motor</b>		
Merk	Husqvarna	Husqvarna
Modelnaam motor	HS 123A	HS 123A
Motortype	Enkelvoudige cilinder, 4-takt, geforceerde luchtcooling, OHV	Enkelvoudige cilinder, 4-takt, geforceerde luchtcooling, OHV
Cilinderinhoud, cm <sup>3</sup>	123	123
Toerental, tpm	3000	3000
Nominaal motorvermogen, kW <sup>115</sup>	1,95	1,95
<b>Ontstekingssysteem</b>		
Bougie	Husqvarna HQT-7	Husqvarna HQT-7
Elektrodenafstand, mm	0,7-0,8	0,7-0,8
<b>Brandstof-/smeersysteem</b>		
Type motorsmeermiddel	Spatten	Spatten
Inhoud brandstoftank, liter	0,9	0,9
Inhoud olietank, liter	0,5	0,5
Motorolie <sup>116</sup>	Husqvarna SAE 30, Husqvarna SAE 5W-30 Synthetic, Husqvarna SAE 10W-40	Husqvarna SAE 30, Husqvarna SAE 5W-30 Synthetic, Husqvarna SAE 10W-40
<b>Gewicht</b>		
Met lege tanks, kg	25,2	26,8
<b>Geluidsemissies</b> <sup>117</sup>		
Geluidsvermogeniveau, gemeten dB(A)	93	93

<sup>115</sup> Het aangegeven nominale vermogen van de motor heeft betrekking op het gemiddelde nettovermogen (bij het opgegeven toerental) van een typische productiemotor voor het betreffende motormodel, gemeten volgens de SAE-norm J1349/ISO1585. In massa geproduceerde motoren kunnen een afwijkende waarde geven. Het werkelijk geleverde vermogen van de geïnstalleerde motor in het product hangt af van de bedrijfsnelheid, de omgevingscondities en andere waarden.

<sup>116</sup> Gebruik motorolie van kwaliteit API SJ of hoger. Als SAE-30 olie wordt gebruikt bij een temperatuur lager dan +5 °C bestaat het risico dat de motor niet voldoende wordt gesmeerd. Dit kan leiden tot schade aan de motor. Zie *De motorolie verversen op pagina 236* voor de juiste olie voor lage temperaturen. Zie het viscositeitsoverzicht in de handleiding van de motor (indien aanwezig) en selecteer de beste viscositeit op basis van de verwachte buitentemperatuur.

<sup>117</sup> Geluidsemissie naar de omgeving gemeten als geluidsvermogen ( $L_{WA}$ ) volgens EG-richtlijn 2000/14/EG.

	LC 140P	LC 140SP
Geluidsvermogensniveau, gegarandeerd, $L_{WA}$ dB (A)	94	94
<b>Geluidsniveaus</b> <sup>118</sup>		
Geluidsdrumniveau bij het oor van de gebruiker, dB(A)	82	82
<b>Trillingsniveau</b> <sup>119</sup>		
Trillingsniveau handgreep, $m/s^2$	5,6	7,6
<b>Snijuitrusting</b>		
Maaihoogte, mm	25-75	25-75
Maai breedte, mm	400	400
Maaisysteem	Opvang / achteruitworp	Opvang / achteruitworp
Messen - standaard	Opvang 5873863-10	Opvang 5873863-10
Capaciteit grasopvangbak, liter	50	50
<b>Aandrijving</b>		
Loopsnelheid, km/h	–	4

<sup>118</sup> De gerapporteerde gegevens voor het geluidsdrumniveau vertonen een typische statistische spreiding (standaardafwijking) van 1,2 dB (A).

<sup>119</sup> De gerapporteerde gegevens voor een trillingsniveau vertonen een typische statistische spreiding (standaardafwijking) van 0,2  $m/s^2$ .



# Verklaring van overeenstemming

## EU-verklaring van overeenstemming

Wij, **Husqvarna AB**, SE-561 82 Huskvarna, Zweden, tel: +46-36-146500, verklaren onder onze alleenverantwoordelijkheid dat het product:

<b>Beschrijving</b>	Gazonmaaier
<b>Merk</b>	Husqvarna
<b>Type / model</b>	LC 140P, LC 140SP
<b>Identificatie</b>	Serienummers vanaf 2022 en verder

volledig voldoet aan de volgende EU-richtlijnen en -regelgeving:

<b>Verordening</b>	<b>Beschrijving</b>
2006/42/EG	"betreffende machines"
2014/30/EU	"betreffende elektromagnetische compatibiliteit"
2000/14/EG	"betreffende de geluidsemissies in het milieu"
2011/65/EU	"inzake beperking van het gebruik van bepaalde gevaarlijke stoffen in elektrische en elektronische apparatuur"

en dat de volgende normen en/of technische specificaties zijn toegepast: EN ISO 5395-1:2013/A1:2018, EN ISO 5395-2:2013/A1:2016/A2:2017, EN ISO 14982:2009, EN IEC 63000:2018

Aangemelde instantie: 0404, RISE SMP Svensk Maskinprovning AB, Box 4053, SE-904 03 Umeå, Sweden is gecertificeerd conform Richtlijn 2000/14/EG van de Raad, beoordelingsprocedure voor conformiteit: Bijlage VI.

Voor informatie over geluidsemissies, zie *Technische gegevens op pagina 239*.

Huskvarna, 2022-09-27



Claes Losdal, Development Manager/Garden Products, Huskvarna AB

Verantwoordelijk voor technische documentatie



---

# INNHold

---

Innledning.....	242	Feilsøking på motoren.....	250
Sikkerhet.....	243	Transport, oppbevaring og avhending.....	251
Montering.....	245	Tekniske data.....	252
Drift.....	246	Samsvarserklæring.....	254
Vedlikehold.....	247		

---

## Innledning

---

### Produktbeskrivelse

Produktet er en roterende skyveggressklipper. Gresset samles i oppsamleren. Ta av oppsamleren for å få bakutkast for gress.

### Produktoversikt

(Fig. 1)

1. Håndtak/styrestang
2. Sikkerhetsbøyle (LC 140SP)
3. Startsnorhåndtak
4. Oppsamler
5. Drivstofftank
6. Luffilter
7. Tennplugg
8. Klippedeksel
9. Lyddemper
10. Oljetanklokk
11. Spak for regulering av klippehøyde
12. Bakdeksel
13. Motorbremsehåndtak
14. Symboler
15. Nedre håndtaksenhet
16. Nedre håndtak
17. Bruksanvisning
18. Oljetrakt

### Symboler på produktet

- (Fig. 2) **ADVARSEL!** Vær forsiktig, og bruk produktet riktig. Dette produktet kan føre til alvorlig personskade eller død for operatøren eller andre.
- (Fig. 3) Les nøye gjennom bruksanvisningen og forsikre deg om at du har forstått instruksjonene før bruk.
- (Fig. 4) Se opp for gjenstander som slynges ut og rikosjetterer.
- (Fig. 5) Hold personer og dyr på trygg avstand fra arbeidsområdet.

### Bruksområder

Bruk produktet til å klippe gress. Ikke bruk produktet til andre oppgaver.

- (Fig. 6) **Advarsel:** Hold hender og føtter borte fra den roterende kniven.
- (Fig. 7) **Advarsel:** Hold hender og føtter borte fra bevegelige deler.
- (Fig. 8) Stopp motoren og fjern tenningskabelen før det utføres reparasjoner eller vedlikehold.
- (Fig. 9) Dette produktet er i overensstemmelse med gjeldende EU-direktiver.
- (Fig. 10) Støyutslipp til omgivelsene som i EU-direktiver og forskrifter, britiske direktiver og forskrifter og New South Wales-forskriften «Protection of the Environment Operations (Noise Control) Regulation 2017». Garantert lydeffektnivå for produktet er angitt i *Tekniske data på side 252* og på etiketten.
- (Fig. 11) Dette produktet samsvarer med gjeldende britiske direktiver.
- (Fig. 12) Brannfare.
- (Fig. 13) Unngå å puste inn avgasser. Avgassene fra motoren inneholder karbonmonoksid, som er en luktfri, giftig og svært farlig gass. Ikke start motoren innendørs eller i lukkede rom.
- (Fig. 14) Varm overflate.
- (Fig. 15) Fyll motoren med olje før du starter produktet.

---

**Merk:** Øvrige symboler/klistremer angitt på produktet gjelder sertifiseringskrav for enkelte markeder.

## Euro V-utslipp



**ADVARSEL:** Tukling med motoren opphever EU-type-godkjenningen til dette produktet.

## Skader på produktet

Vi er ikke ansvarlige for skader på produktet vårt hvis:

---

## Sikkerhet

### Sikkerhetsdefinisjoner

Advarsler, oppfordringer og merknader brukes for å understreke spesielt viktige deler av bruksanvisningen.



**ADVARSEL:** Brukes hvis det er fare for personskade eller død for brukeren eller andre personer om instruksjonene i håndboken ikke følges.



**OBS:** Brukes hvis det er fare for skade på produktet, annet materiell eller nærliggende områder om instruksjonene i håndboken ikke følges.

**Merk:** Brukes for å gi mer nødvendig informasjon for en spesifikk situasjon.

### Generelle sikkerhetsinstruksjoner



**ADVARSEL:** Les de følgende advarselsinstruksjonene før du bruker produktet.

- Dette produktet er farlig hvis det brukes feil, eller hvis du ikke er forsiktig. Personskade eller død kan forekomme hvis du ikke følger sikkerhetsinstruksjonene.
- Dette produktet danner et elektromagnetisk felt når det er i bruk. Dette feltet kan under visse forhold forstyrre aktive eller passive medisinske implantater. For å redusere faren for hendelser som kan føre til alvorlig eller livstruende skade, anbefaler vi at personer med medisinske implantater rådfører seg med lege og produsenten av det medisinske implantatet før dette produktet tas i bruk.
- Vær alltid forsiktig, og bruk sunn fornuft. Hvis du ikke er sikker på hvordan du skal bruke produktet i en bestemt situasjon, må du stoppe og snakke med Husqvarna-forhandleren før du fortsetter.

- Produktet er reparert på feil måte.
- Produktet er reparert med deler som ikke kommer fra produsenten eller som ikke er godkjent av produsenten.
- Produktet har et tilbehør som ikke kommer fra produsenten eller som ikke er godkjent av produsenten.
- Produktet er ikke reparert på et godkjent servicesenter eller av en godkjent aktør.

- Husk at brukeren er ansvarlig for ulykker som involverer andre personer eller deres eiendom.
- Hold produktet rent. Sørg for at du kan lese skilt og merker.
- Ikke la en person bruke produktet med mindre du forsikrer deg om at de har lest og forstått innholdet i bruksanvisningen.
- Ikke la barn bruke produktet.
- Hold barn borte fra arbeidsområdet. En ansvarlig voksen må alltid være til stede.
- Ikke la en person uten kunnskap om instruksjonene bruke produktet.
- Hold alltid øye med personer med redusert fysisk eller mental kapasitet når de bruker produktet. En ansvarlig voksen må alltid være til stede.
- Ikke bruk produktet dersom du er trett eller syk eller under påvirkning av alkohol, andre rusmidler eller medisiner. Disse tingene har en negativ effekt på synet, vurderingsevnen og dømmekraften din.
- Ikke bruk et produkt som er skadet eller ikke fungerer som det skal.
- Ikke modifier dette produktet, og ikke bruk det dersom det er mulig at andre har modifisert det.
- Ikke endre justeringen for turtallsreguleringen.

### Sikkerhet i arbeidsområdet



**ADVARSEL:** Les de følgende advarelsene før du bruker produktet.

- Fjern gjenstander som greiner, kvister og steiner fra området før du bruker produktet.
- Gjenstander som treffer skjærestyret, kan slynges ut og forårsake skade på personer og gjenstander. Hold tilskuere og dyr på trygg avstand fra produktet.
- Bruk aldri produktet i dårlig vær, for eksempel i tåke, regn, sterk vind, sterk kulde, eller ved fare for lyn. Det er slitsomt å bruke produktet i dårlig vær eller på fuktige eller våte steder. Dårlig vær kan forårsake farlige forhold, for eksempel glatt underlag.

- Hold utkikk etter personer, objekter og situasjoner som kan forhindre sikker bruk av produktet.
- Se etter hindringer, for eksempel røtter, steiner, kvister, fordypninger og grøfter. Høyt gress kan skjule hindringer.
- Det kan være farlig å klippe gress i skråninger. Ikke bruk produktet i skråninger som heller mer enn 15 grader.
- Bruk produktet på tvers av skråninger. Ikke gå opp og ned.
- Vær forsiktig når du nærmer deg skjulte hjørner eller gjenstander som blokkerer sikten.

## Arbeidssikkerhet



**ADVARSEL:** Les de følgende advarslene før du bruker produktet.

- Bruk dette produktet bare til å klippe gressplener. Det er ikke tillatt å bruke det til andre formål.
- Bruk personlig verneutstyr. Se *Personlig verneutstyr på side 244*.
- Sørg for at du vet hvordan du stopper motoren raskt i en nødsituasjon.
- Start aldri motoren i et lukket rom eller i nærheten av brennbart materiale. Motorens avgasser er varme og kan inneholde gnister som kan forårsake brann.
- Ikke bruk produktet med mindre kniven og alle deksler er riktig montert. En kniv som er feilmontert, kan løse og forårsake personskade.
- Pass på at kniven ikke kommer borti gjenstander som steiner og røtter. Dette kan gjøre skade på kniven og bøye motorakselen. En bøyd aksel kan forårsake mye vibrasjon og utgjør en svært høy fare for at kniven blir løs.
- Hvis kniven treffer en gjenstand eller det oppstår kraftige vibrasjoner, må produktet stanses øyeblikkelig. Koble tenningskabelen fra tennpluggen. Kontroller produktet for skader. Reparer skader, eller la et autorisert serviceverksted utføre reparasjon.
- Du må aldri feste motorbremsehåndtaket permanent til håndtaket når motoren er i gang.
- Plasser produktet på et stabilt, flatt underlag, og start det. Pass på at kniven ikke berører bakken eller andre gjenstander.
- Hold deg alltid bak produktet når du bruker det.
- La alle hjulene være på bakken, og hold begge hender på håndtaket når du bruker produktet. Hold hender og føtter borte fra de roterende knivene.
- Unngå å vippe produktet opp mens motoren er i gang.
- Vær forsiktig når du trekker produktet bakover.
- Du må aldri løfte produktet når motoren er i gang. Hvis du må løfte produktet, må du først stoppe motoren og koble tenningskabelen fra tennpluggen.
- Ikke gå bakover når du bruker produktet.
- Stopp motoren når du går over områder uten gress, for eksempel gangveier av grus, stein og asfalt.

- Ikke løp med produktet når motoren er på. Du må alltid gå mens du bruker produktet.
- Stopp motoren før du endrer klippehøyde. Utfør aldri justeringer mens motoren er i gang.
- La aldri produktet være ute av syne mens motoren er i gang. Stopp motoren, og forsikre deg om at skjærestyret ikke roterer.

## Sikkerhetsinstruksjoner for drift

### Personlig verneutstyr



**ADVARSEL:** Les de følgende advarslene før du bruker produktet.

- Verneutstyr kan aldri fullstendig forhindre skade, men det reduserer skadeomfanget hvis ulykken inntreffer. Spør forhandleren din om hjelp til å velge riktig utstyr.
- Bruk hørselsvern hvis støynivået er høyere enn 85 dB.
- Bruk kraftige, sklisikre støvler eller sko. Ikke bruk åpne sko eller gå barbeint.
- Bruk tykke langbukser.
- Bruk vernehansker når det er nødvendig, for eksempel når du fester, undersøker eller rengjør skjærestyret.

### Sikkerhetsutstyr på produktet



**ADVARSEL:** Les de følgende advarelsinstruksjonene før du bruker produktet.

- Ikke bruk et produkt med sikkerhetsutstyr som er skadet eller ikke fungerer som det skal.
- Utfør regelmessig kontroll av sikkerhetsstyret. Hvis sikkerhetsstyret er skadet eller ikke fungerer som det skal, må du kontakte Husqvarna-serviceforhandleren.
- Ikke foreta endringer på sikkerhetsutstyr.

### Slik kontrollerer du klippedekselet

Klippedekselet gir mindre vibrasjoner og minsker risikoen for skader forårsaket av kniven.

- Undersøk klippedekselet for å sikre at det ikke er noen skader, for eksempel sprekker.

### Slik kontrollerer du motorbremsehåndtaket

Motorbremsehåndtaket stopper motoren. Når du slipper motorbremsehåndtaket, stopper motoren.

- Start motoren, og slipp deretter motorbremsehåndtaket. Hvis motoren ikke stopper innen tre sekunder, må du la et godkjent Husqvarna-serviceverksted justere motorbremsen. (Fig. 16)

## Lyddemper

Lyddemperen begrenser støynivået og sender avgassene bort fra brukeren.

Ikke bruk produktet hvis lyddemperen mangler eller er skadet. En defekt lyddemper øker lydnivået og brannfaren.



**ADVARSEL:** Lyddemperen blir svært varm under og etter bruk, og når motoren går på tomgang. Vær forsiktig i nærheten av brannfarlige materialer og/eller avgasser for å unngå brann.

## Drivstoffsikkerhet



**ADVARSEL:** Les de følgende advarselsinstruksjonene før du bruker produktet.

- Ikke start produktet hvis det er drivstoff eller motorolje på det. Fjern uønsket drivstoff/olje, og la produktet tørke.
- Skift klær umiddelbart hvis du søler drivstoff på klærne.
- Ikke få drivstoff på kroppen, da dette kan føre til personskade. Bruk såpe og vann for å fjerne drivstoff hvis du får drivstoff på kroppen.
- Ikke start produktet hvis motoren lekker. Kontroller motoren for lekkasjer med jevne mellomrom.
- Vær forsiktig med drivstoff. Drivstoff er brannfarlig, og avgassene er eksplosive og kan forårsake personskade eller død.
- Ikke pust inn bensindamp, da dette kan føre til personskade. Pass på at det er tilstrekkelig luftstrøm.
- Du må ikke røyke i nærheten av drivstoff eller motoren.
- Ikke sett varme gjenstander i nærheten av drivstoff eller motoren.
- Ikke fyll på drivstoff når motoren er på.
- Kontroller at motoren er avkjølt før du fyller på drivstoff.
- Åpne tanklokket sakte, og slipp ut trykket forsiktig før du fyller.

- Ikke fyll drivstoff på motoren innendørs. En utilstrekkelig luftstrøm kan føre til personskade eller dødsfall på grunn av kveling eller karbonmonoksidforgiftning.
- Trekk til drivstofflokket helt. Hvis drivstofflokket ikke er strammet, kan det utgjøre en risiko for brann.
- Flytt produktet minst 3 m fra stedet der du fylte tanken, før du starter det.
- Fyll ikke drivstofftanken helt opp. Varme fører til at drivstoffet utvider seg. La det være litt plass øverst i drivstofftanken.
- Oppbevar aldri produktet med drivstoff i drivstofftanken inne i en bygning der det finnes antennelseskilder, for eksempel varmtvannsberedere, varmeovner eller tørketromler. La motoren kjøles ned før maskinen lagres i et lukket rom.

## Sikkerhetsinstruksjoner for vedlikehold



**ADVARSEL:** Les de følgende advarslene før du bruker produktet.

- Eksosen fra motoren inneholder karbonmonoksid, en luktfri, giftig og svært farlig gass. Ikke start motoren innendørs eller i lukkede rom.
- Før du utfører vedlikehold på produktet, må du stoppe motoren og fjerne tenningskabelen fra tennpluggen.
- Bruk vernehansker når du utfører vedlikehold på skjæreutstyret. Kniven er svært skarp, og det er lett å kutte seg.
- Tilbehør og endringer på produktet som ikke er godkjent av produsenten, kan føre til alvorlig personskade eller død. Ikke foreta endringer av produktet. Bruk bare tilbehør som er godkjent av produsenten.
- Hvis vedlikeholdet ikke utføres riktig og regelmessig, øker faren for personskade og skade på produktet.
- Bare utfør vedlikehold som beskrevet i denne brukerveiledningen. Alt annet vedlikehold må utføres av et godkjent Husqvarna-serviceverksted.
- La et godkjent Husqvarna-serviceverksted utføre service på produktet regelmessig.
- Skift ut alle skadde, slitte eller ødelagte deler.

## Montering

### Slik monterer du håndtaket

1. Dytt skruen (A) gjennom håndtaket (B), plastskiven (C) og støttebraketten på håndtaket (D). (Fig. 17)
2. Trekk til mutteren (E) helt.
3. Dytt skruen (F) gjennom skiven (G) og støttebraketten på håndtaket.
4. Trekk til knotten (H) helt.

5. Rett inn hullene i håndtaket med hullene i det nedre håndtaket, og fest skruene, skivene og knottene. Trekk til knottene helt. (Fig. 18)
6. Fest kablene til håndtaket ved å bruke kabelfestene. (Fig. 19)

**Merk:** Kontroller at kablene ikke er strammet for hardt. Hvis kablene er for hardt strammet, kan dette

føre til skade på kabelen hvis håndtaket felles ned i transportstilling.

7. Plasser kablene rundt kroken nederst på håndtaket. (Fig. 20)

## Slik justerer du høyden på håndtaket

1. Løsne de nedre knottene. (Fig. 21)
2. Fjern knotten, flensskiven og skruen på venstre og høyre side.
3. Håndtaket kan stilles i 2 forskjellige høyder. Sett inn skruen i et av de to hullene på venstre og høyre side. (Fig. 22)
4. Monter skruene, skivene og knottene.
5. Flytt knottene oppover i retning av håndtaket til de stopper og du hører et klikk. Trekk til knottene helt. (Fig. 23)

## Slik setter du produktet i transportstilling

1. Tøm oppsamleren.
2. Løsne de to knottene på det øvre håndtaket, og fold håndtaket nedover. (Fig. 24)
3. Løsne de nedre knottene.

4. Flytt knottene til den nedre enden av sporene på venstre og høyre side av produktet. (Fig. 25)
5. Vipp styret forover. (Fig. 26)

## Slik setter du produktet i driftsstilling

1. Løft håndtaket til det nedre håndtaket låses i driftsstillingen. (Fig. 27)
2. Flytt knottene oppover i retning av styret til de stopper og du hører et klikk.
3. Trekk til knottene helt. (Fig. 28)
4. Løft den øvre delen av håndtaket.
5. Trekk til knottene helt. (Fig. 29)

## Slik monterer du gressoppsamleren

1. Sett den øvre delen av gressoppsamleren på den nedre delen av gressoppsamleren. (Fig. 30)
2. Fest gressoppsamlerrammen med klemmene. (Fig. 31)
3. Løft det bakre dekselet.
4. Fest krokene på gressoppsamleren til den øverste kanten av chassiset. (Fig. 32)
5. Sett den nedre delen av gressoppsamleren inn i utkasterkanalen.

---

## Drift

---

### Innledning



**ADVARSEL:** Før du bruker produktet, må du lese og forstå kapittelet om sikkerhet.

## Husqvarna Connect

Husqvarna Connect er en kostnadsfri app for mobilenheten din. Husqvarna Connect-appen gir utvidede funksjoner for Husqvarna-produktet ditt:

- utvidet produktinformasjon
- informasjon om og hjelp med produktdeleer og service

## Slik begynner du å bruke Husqvarna Connect

1. Last ned Husqvarna Connect-appen på mobilenheten din.
2. Utfør registrering i Husqvarna Connect-appen.
3. Følg instruksjonene i Husqvarna Connect-appen for å koble til og registrere produktet.

## Før du bruker produktet

1. Les nøye gjennom bruksanvisningen, og sørg for at du har forstått instruksjonene.
2. Undersøk skjæreutstyret for å sikre at det er riktig festet og justert. Se *Slik kontrollerer du skjæreutstyret på side 248*.

3. Fyll drivstofftanken. Se *Slik fyller du drivstoff på side 246*.
4. Fyll oljetanken, og kontroller oljenivået. Se *Slik kontrollerer du oljenivået på side 249*.

## Slik fyller du drivstoff

Hvis tilgjengelig, bruker du miljøbensin/alkylatbensin. Hvis miljøbensin/alkylatbensin ikke er tilgjengelig, bruker du blyfri bensin av god kvalitet eller blybensin med oktantal 91 eller høyere.



**OBS:** Ikke bruk bensin med et oktantal som er mindre enn 91 RON. Dette kan skade produktet.



**OBS:** Skift drivstoffilteret årlig eller oftere hvis det er nødvendig. Et nytt drivstoffilter er tilgjengelig hos Husqvarna-forhandleren din.



**OBS:** Stopp alltid motoren før du fyller drivstoff.



**OBS:** Ikke bruk startvæsker under trykk.

1. Åpne drivstofflokket sakte for å slippe ut trykket.
2. Fyll langsomt med en bensinkanne. Hvis du søler drivstoff, kan du tørke det opp med en klut og la det som måtte være igjen, lufttørke. (Fig. 33)
3. Tørk rent rundt drivstofflokket.
4. Trekk til drivstofflokket helt. Hvis drivstofflokket ikke er strammet, kan det utgjøre en risiko for brann.
5. Flytt produktet minst 3 m fra stedet der du fylte tanken, før du starter det.

## Slik regulerer du klippehøyden

1. Flytt spaken for klippehøyde bakover for å øke klippehøyden.
2. Flytt spaken for klippehøyde forover for å senke klippehøyden. (Fig. 34)



**OBS:** Ikke sett klippehøyden for lavt. Knivene kan treffe bakken hvis overflaten av plenen ikke er vannrett.

## Slik starter du produktet

1. Sørg for at tenningskabelen er koblet til tennpluggen.
2. Stå bak produktet.
3. Hold motorbremsehåndtaket mot styret. (Fig. 35)
4. Hold i startsnorhåndtaket med høyrehånden.
5. Dra startsnoren langsomt ut til du kjenner litt motstand.
6. Trekk kraftig for å starte motoren.



**ADVARSEL:** Surr aldri startsnoren rundt hånden.

## Vedlikehold

### Innledning



**ADVARSEL:** Før du utfører vedlikeholdsarbeid, må du lese og forstå kapittelet om sikkerhet.

For alt vedlikehold og reparasjonsarbeid på produktet er det nødvendig med spesiell opplæring. Vi garanterer fagmessig reparasjon og service. Hvis forhandleren ikke er et serviceverksted, må du snakke med dem for å få informasjon om nærmeste serviceverksted.

Hvis du vil ha mer detaljert informasjon, kan du se .

### Slik brukes hjuldriften

- Skyv sikkerhetsbøylen i retning av styret. (Fig. 36)
- Løsne sikkerhetsbøylen for å frakoble driften, for eksempel når du går nær en hindring.
- Før du trekker produktet bakover, må du koble ut driften og skyve produktet forover med ca. 10 cm.

### Slik stopper du produktet

- Hvis du vil stoppe kun driften, slipper du sikkerhetsbøylen.
- Hvis du vil stoppe motoren, slipper du motorbremsehåndtaket.

### Slik får du et godt resultat

- Bruk alltid en godt slipt kniv. En sløv kniv gir ujevnt resultat, og gressets klippeoverflate blir gul. En skarp kniv bruker også mindre energi enn en sløv kniv.
- Ikke klipp mer enn 1/3 av lengden på gresset. Klipp først med klippehøyden stilt høyt. Undersøk resultatet, og senk klippehøyden til det aktuelle nivået. Hvis gresset er veldig langt, kjører du sakte og klipper to ganger om nødvendig.
- Klipp i forskjellige retninger hver gang, for å unngå striper i plenen.
- Hold klippedekselet rent. Oppsamling av gress og smuss på innsiden av klippedekselet kan gi et dårligere klipperesultat. Se *Slik rengjør du den indre overflaten av klippedekselet på side 248.*

### Vedlikeholdsskjema



**OBS:** Sørg for at luftfilteret vender opp og ikke mot bakken når du vipper produktet. Fare for motorskade.

Vedlikeholdsintervallene er beregnet med utgangspunkt i daglig bruk av produktet. Intervallene kan endres hvis produktet ikke brukes daglig.

For vedlikehold merket med \* kan du se instruksjonene i *Sikkerhetsutstyr på produktet på side 244.*

Vedlikehold	Daglig	Månedlig	Hver sesong
Utfør en generell inspeksjon.	X		
Kontroller oljenivået.	X		

Vedlikehold	Daglig	Månedlig	Hver sesong
Skift olje (første gang etter 5 timers bruk og deretter etter hver 50. times bruk). <sup>120</sup>			X
Rengjør produktet.	X		
Kontroller skjæreutstyret.	X		
Kontroller klippedekselet*.	X		
Kontroller motorbremsesikretningen*.	X		
Kontroller lyddemperen*.		X	
Kontroller tennpluggen. Rengjør eller skift tennpluggen når det er nødvendig.			X
Kontroller luftfilteret.	X		
Rengjør luftfilteret. <sup>121</sup>		X	
Skift luftfilteret.			X
Kontroller drivstoffsystemet.			X
Rengjør kjøleflensene på sylinderen		X	
Kontroller og juster clutchvaieren (LC 140SP).			X

## Slik utfører du en generell inspeksjon

- Sørg for at alle mutre og skruer på produktet er trukket til ordentlig.

## Slik rengjør du produktet på utsiden

- Bruk en børste for å fjerne løv, gress og smuss.
- Kontroller at luftinntaket på toppen av motoren ikke er blokkert.
- Produktet må ikke rengjøres med høytrykksspyler.
- Hvis du bruker vann til å rengjøre produktet, må du ikke spyle vann direkte på motoren.

## Slik rengjør du den indre overflaten av klippedekselet

1. Tøm drivstofftanken.
2. Vipp produktet. Kontroller at tennpluggen peker opp.



**OBS:** Hvis produktet plasseres med luftfilteret ned, kan motoren bli skadet.

3. Spyl innsiden av klippedekselet med vann.

## Slik kontrollerer du skjæreutstyret



**ADVARSEL:** For å hindre utilsiktet start må du fjerne tenningskabelen fra tennpluggen.



**ADVARSEL:** Bruk vernehansker når du utfører vedlikehold på skjæreutstyret. Kniven er svært skarp, og det er lett å kutte seg.

1. Kontroller skjæreutstyret med henblikk på skader og sprekkdannelse. Bytt alltid ut skadet skjæreutstyr.
2. Sjekk om kniven er skadet eller sløv.

**Merk:** Kniven må balanseres etter at den er slipt. La et servicesenter slippe, skifte og balansere kniven. Hvis du treffer en hindring som fører til at produktet stopper, må du skifte ut den skadde kniven. La serviceverkstedet vurdere om kniven kan slipes eller om den må skiftes ut.

## Slik skifter du ut skjærebladet

1. Lås skjærebladet med en trekloss. (Fig. 37)
2. Fjern knivbolten og sprengskiven.
3. Fjern skjærebladet.

<sup>120</sup> Hvis produktet brukes med tung belastning eller ved høye omgivelsestemperaturer, må motoroljen skiftes hver 25. time.

<sup>121</sup> Rengjør oftere under støvete forhold eller når det er rusk i luften. Skift luftfilteret hvis det er veldig skittent.



- Kontroller støtten og bolten for skjærebladet for å se etter skader.
- Undersøk motorakselen for å forsikre deg om at den ikke er bøyd.
- Når du fester det nye skjærebladet, må du peke de vinklede endene av bladet i retning av klippedekselet. (Fig. 38)
- Kontroller at kniven er på linje med midten av motorakselen.
- Lås skjærebladet med en trekloss. Fest sprengskiven, og trekk til bolten og skiven med et moment på 45–60 Nm. (Fig. 39)
- Trekk skjærebladet rundt for hånd, og kontroller at det roterer fritt.



**ADVARSEL:** Bruk solide arbeidshansker. Skjærebladet er svært skarpt, og det er lett å skjære seg.

- Start produktet for å teste skjærebladet. Hvis bladet ikke er riktig festet, vil produktet vibre, eller klipperesultatet vil ikke bli bra nok.

## Slik kontrollerer du oljenivået



**OBS:** For lavt oljenivå kan forårsake alvorlige motorskader. Kontroller oljenivået før du starter produktet.

- Sett produktet på et flatt underlag.
- Ta av oljetankklokken og den medfølgende peilepinnen.
- Fjern gjenværende olje fra peilepinnen.
- Før peilepinnen helt ned i oljetanken for å gi et korrekt bilde av oljenivået. Ikke sett på oljetankklokken.
- Ta av oljetankklokken og den medfølgende peilepinnen.
- Kontroller oljenivået på peilepinnen.
- Hvis oljenivået er lavt, fyller du på motorolje og utfører en ny kontroll av oljenivået. (Fig. 40)

**Merk:** Bruk en trakt for å unngå søl.

- Sett på oljetankklokken når oljenivået er riktig.

## Slik skifter du motorolje



**ADVARSEL:** Motorolje er svært varm rett etter at motoren har stoppet. La motoren bli avkjølt før du tapper ut motorolje. Rengjør med såpe og vann hvis du søler motorolje på huden.

(Fig. 41)

- Bruk produktet til drivstofftanken er tom.

- Fjern tenningskabelen fra tennpluggen.
- Ta av oljetankklokken og den medfølgende peilepinnen.
- Sett en beholder under produktet for å samle opp olje.
- Vipp produktet, eller tapp av motoroljen fra oljetanken med en oljepumpe (tilbehør).
- Fyll på ny motorolje av typen som anbefales i *Tekniske data på side 252*.
- Kontroller oljenivået. Se *Slik kontrollerer du oljenivået på side 249*.
- Sett på oljetankklokken når oljenivået er riktig.

## Slik rengjør du skumplastfilteret



**OBS:** Ikke start motoren uten luftfiltrene. Slitasjen på motoren øker hvis luften er skitten.

- Ta av luftfilterdekselet (A). (Fig. 42)
- Fjern skumplastfiltrene (B).



**OBS:** Kontroller skumplastfiltrene for skade eller slitasje. Skift ut alle skadede skumplastfiltre.

- Rengjør skumplastfiltrene med såpe og vann.
- Skyll skumplastfiltrene i rent vann.
- Klem ut vannet fra skumplastfiltrene, og la dem tørke.



**OBS:** Ikke bruk trykkluft. Det kan føre til skade på skumplastfilteret.

- Smør skumplastfiltrene med motorolje.
- Trykk en ren klut mot skumplastfilteret for å fjerne overflødig olje.
- Monter skumplastfiltrene. Kontroller at skumplastfiltrene er helt forseglede mot luftfilterholderen.
- Monter luftfilterdekselet.

## Kontrollere tennpluggen



**OBS:** Bruk alltid anbefalt type tennplugg. Feil tennpluggtype kan føre til skade på produktet.

- Undersøk tennpluggen hvis motorens effekt er for lav, den ikke er enkel å starte eller ikke fungerer riktig på tomgang.
- Følg disse instruksjonene for å redusere risikoen for uønsket materiale på tennpluggenes elektroder:
  - Pass på at tomgangsturtallet er riktig justert.
  - Pass på at drivstoffblandingen er riktig.

- c) Kontroller at luftfilteret er rent.
- Hvis tennpluggen er skitten, må du rengjøre den og samtidig kontrollere at elektrodeavstanden er riktig. Se *Tekniske data på side 252*. (Fig. 43)
- Skift tennpluggen når det er nødvendig.

## Slik undersøker du drivstoffsystemet

- Undersøk drivstofflokket og pakningen til lokket for å sikre at det ikke er noen skader.
- Undersøk drivstoffslangen for å sikre at det ikke finnes lekkasjer. Hvis drivstoffslangen er ødelagt, må du la et serviceverksted skifte den ut.

## Slik tømmer du drivstofftanken

1. Sett en beholder under drivstofftanken.
2. Fjern lokket på drivstofftanken.
3. Skyv slangeklemmene på drivstoffslangen mot forgasseren.
4. Fjern drivstoffslangen fra forgasseren.
5. Legg drivstofftankslangen i beholderen, og fjern slangeklemmene.
6. Vipp produktet, og tapp drivstoffet ned i beholderen.

## Slik skifter du drivstofffilteret



**ADVARSEL:** Bruk vernehansker.

1. Tapp drivstofftanken.
2. Flytt slangeklemmen bort fra drivstofftanken. (Fig. 44)

3. Fjern drivstoffslangen fra drivstofftanken. En liten mengde drivstoff kan lekke. (Fig. 45)
4. Fjern drivstofffilteret fra drivstofftanken. (Fig. 46)
5. Sett på plass et nytt drivstofffilter i drivstofftanken.
6. Sett drivstoffslangen på drivstofftanken.
7. Sett slangeklemmen på plass mot drivstofftanken.

## Slik justerer du clutchvaieren (LC 140SP)

I situasjonene som er nevnt nedenfor, må du redusere lengden på clutchvaieren:

- Hjuldriften går ikke i inngrep når du trekker i sikkerhetsbøylen eller spaken for turtallsregulering.
- Produktet beveger seg sakte når hjuldriften er koblet inn.

I situasjonene som er nevnt nedenfor, må du øke lengden på clutchvaieren:

- Produktet beveger seg når hjuldriften ikke er koblet inn.
- Slik justerer du clutchvaieren:
  - a) For å redusere lengden på clutchvaieren dreier du justeringsskruen mot urviseren.
  - b) For å øke lengden på clutchvaieren dreier du justeringsskruen med urviseren. (Fig. 47)

Hvis produktet fortsatt går på en lite tilfredsstillende måte etter justeringen, må du ta kontakt med serviceforhandleren.

## Feilsøking på motoren

Problem	Mulig årsak	Løsning
Motoren starter ikke.	Tenningskabelen er ikke riktig tilkoblet.	Koble tenningskabelen til tennpluggen.
	Drivstofftanken er tom.	Fyll drivstofftanken med riktig drivstofftype.
	Drivstoffet er gammelt.	Tøm drivstofftanken og forgasseren. Fyll på med ny bensin.
	Det er smuss i forgasseren eller drivstoffledningen.	Rengjør forgasseren og/eller drivstoffledningen.
	Tennpluggen er skadet.	Juster elektrodeavstanden, og rengjør eller bytt ut tennpluggen.
	Det er drivstoff på tennpluggen.	Rengjør tennpluggen.
Motoren stopper ikke.	Stoppemekanismen fungerer ikke som den skal.	Koble tenningskabelen fra tennpluggen. Få produktet reparert ved et godkjent serviceverksted.

Problem	Mulig årsak	Løsning
Motoren går ujevnt.	Tenningskabelen er ikke riktig tilkoblet.	Koble tenningskabelen til tennpluggen.
	Det er smuss i drivstoffledningen, eller drivstoffet er utløpt.	Rengjør drivstofflinjen. Fyll drivstofftanken med nytt drivstoff av riktig type.
	Det er en blokkering i lokket på drivstofftanken.	Rengjør lokket på drivstofftanken.
	Det er vann eller smuss i drivstoffsystemet.	Tapp drivstofftanken. Fyll drivstofftanken med nytt drivstoff av riktig type.
	Luftfilteret er skittent.	Rengjør luftfilteret.
	Forgasseren må justeres.	La en serviceforhandler justere forgasseren.
Motoren blir for varm.	Motoroljenivået er for lavt.	Fyll motorolje.
	Luftstrømmen er ikke tilstrekkelig.	Rengjør luftfilteret og luftfilterhuset.
	Forgasseren må justeres.	La en serviceforhandler justere forgasseren.
Det er feiltetting i motoren når den går med høy hastighet.	Elektrodeavstanden i tennpluggen er for liten.	Juster elektrodeavstanden.
Uvanlige lyder fra motoren under normal belastning.	Feil type bensin.	Tøm drivstofftanken og forgasseren. Fyll på med ny bensin. Se <i>Slik fyller du drivstoff på side 246</i> . Hvis problemet vedvarer, må du ta kontakt med den lokale serviceforhandleren din.
Motoren fungerer ikke riktig på tomgang.	Tennpluggen er skitten eller skadet, eller elektrodeavstanden er for stor.	Juster elektrodeavstanden eller bytt ut tennpluggen.
	Forgasseren må justeres.	Juster forgasseren.
	Luftfilteret er skittent.	Rengjør luftfilteret.

---

## Transport, oppbevaring og avhending

---

### Transport og oppbevaring

- Før oppbevaring og transport av produktet og drivstoff, må du kontrollere at det ikke finnes lekkasjer eller gasser. Gnister eller åpen ild, for eksempel fra elektriske apparater eller varmekjeler, kan starte en brann.
- Bruk alltid godkjente beholdere for oppbevaring og transport av drivstoff.
- Tøm drivstofftanken før du setter produktet til oppbevaring over en lengre periode. Lever drivstoffet hos en returstasjon.
- Sørg for sikkert feste av produktet under transport for å unngå skader og ulykker.

- Oppbevar produktet på et låst sted for å hindre tilgang for barn eller personer som ikke er godkjent.
- Oppbevar produktet på et tørt og frostfritt sted.

### Kassering

- Følg lokale gjenvinningsbestemmelser og gjeldende regelverk.
- Kast alle kjemikalier, for eksempel motorolje eller drivstoff, på et servicesenter eller en returstasjon.
- Når produktet ikke lenger er i bruk, kan du sende det til en Husqvarna-forhandler eller kaste det ved et returpunkt.

## Tekniske data

### Tekniske data

	LC 140P	LC 140SP
<b>Motor</b>		
Merke	Husqvarna	Husqvarna
Navn på motormodell	HS 123A	HS 123A
Motorstype	Ensyldret, 4-takts, tvungen luftkjøling, OHV	Ensyldret, 4-takts, tvungen luftkjøling, OHV
Volum, cm <sup>3</sup>	123	123
Hastighet, o/min.	3000	3000
Nominell motoreffekt, kW <sup>122</sup>	1,95	1,95
<b>Tenningsystem</b>		
Tennplugg	Husqvarna HQT-7	Husqvarna HQT-7
Elektrodeavstand, mm	0,7–0,8	0,7–0,8
<b>Drivstoff-/smøresystem</b>		
Motorsmørertype	Skvalpesmøring	Skvalpesmøring
Volum drivstofftank, liter	0,9	0,9
Volum oljetank, liter	0,5	0,5
Motorolje <sup>123</sup>	Husqvarna SAE 30, Husqvarna SAE 5W-30 Syntetic, Husqvarna SAE 10W-40	Husqvarna SAE 30, Husqvarna SAE 5W-30 Syntetic, Husqvarna SAE 10W-40
<b>Vekt</b>		
Med tomme tanker, kg	25,2	26,8
<b>Støyutslipp</b> <sup>124</sup>		
Lydeffektnivå, målt, dB(A)	93	93
Lydeffektnivå, garantert L <sub>WA</sub> dB(A)	94	94

<sup>122</sup> Motorens merkeeffekt er gjennomsnittlig nettoeffekt (ved angitt turtall) for en typisk produksjonsmotor for motormodellen, målt ifølge SAE-standarden J1349/ISO1585. Masseproduserte motorer kan avvike fra denne verdien. Faktisk effekt for motoren montert på det ferdige produktet vil avhenge av driftshastighet, klimaforhold og andre verdier.

<sup>123</sup> Bruk motorolje av kvaliteten API SJ eller høyere. Hvis SAE-30-olje brukes ved temperaturer lavere enn +5 °C, er det fare for at den ikke smører motoren tilstrekkelig. Dette kan føre til skader på motoren. Se *Slik skifter du motorolje på side 249* hvis du trenger informasjon om riktig olje for lave temperaturer. Se viskositetstabellen i motorhåndboken (hvis tilgjengelig), og velg viskositeten som er best egnet, basert på forventet utendørstemperatur.

<sup>124</sup> Utslipp av støy til omgivelsene målt som lydeffekt (L<sub>WA</sub>) samsvarer med EF-direktiv 2000/14/EF.

	LC 140P	LC 140SP
<b>Lydnivåer</b> <sup>125</sup>		
Lydtrykknivå ved brukerens øre, dB(A)	82	82
<b>Vibrasjonsnivåer</b> <sup>126</sup>		
Vibrasjoner i håndtak, m/s <sup>2</sup>	5,6	7,6
<b>Klippeutstyr</b>		
Klippehøyde, mm	25–75	25–75
Klippebredde, mm	400	400
Klippesystem	Oppsamling/bakutkast	Oppsamling/bakutkast
Kniver – standard	Oppsamling 5873863-10	Oppsamling 5873863-10
Gressoppsamlerkapasitet, liter	50	50
<b>Drift</b>		
Selvgående hastighet, km/t	–	4

<sup>125</sup> Rapporterte data for lydtrykknivå for maskinen har en typisk statistisk spredning (standardavvik) på 1,2 dB (A).

<sup>126</sup> Rapporterte data for vibrasjonsnivå har en typisk statistisk spredning (standardavvik) på 0,2 m/s<sup>2</sup>.

# Samsvarserklæring

## EU-samsvarserklæring

Vi, **Husqvarna AB**, SE-561 82 Huskvarna, Sverige, tlf.:  
+46 36 146500, erklærer på eget ansvar at produktet:

<b>Beskrivelse</b>	Gressklipper
<b>Merke</b>	Husqvarna
<b>Type/modell</b>	LC 140P, LC 140SP
<b>ID</b>	Serienumre datert 2022 og senere

fullstendig overholder følgende EU-direktiver og  
-forskrifter:

<b>Regulering</b>	<b>Beskrivelse</b>
2006/42/EC	«angående maskiner»
2014/30/EU	«om elektromagnetisk kompatibilitet»
2000/14/EC	«angående utslipp av støy til omgivelsene»
2011/65/EU	«om begrensning av bruk av visse farlige stoffer i elektrisk og elektronisk utstyr»

og at følgende standarder eller tekniske spesifikasjoner  
er anvendt: EN ISO 5395-1:2013/A1:2018, EN ISO  
5395-2:2013/A1:2016/A2:2017, EN ISO 14982:2009, EN  
IEC 63000:2018

Kontrollorgan: 0404, RISE SMP Svensk Maskinprovning  
AB, Box 4053, SE-904 03 Umeå, Sweden Har bekreftet  
samsvar med rådsdirektivet 2000/14/EF, prosedyre for  
overensstemmelsesvurdering: Vedlegg VI.

For informasjon som gjelder støyutslipp, kan du se  
*Tekniske data på side 252.*

Huskvarna, 2022-09-27



Claes Losdal, Utviklingssjef/hageproduktansvarlig,  
Husqvarna AB

Ansvarlig for teknisk dokumentasjon



---

# SPIS TREŚCI

---

Wstęp.....	255	Rozwiązywanie problemów z silnikiem.....	265
Bezpieczeństwo.....	256	Transport, przechowywanie i utylizacja.....	266
Montaż.....	259	Dane techniczne.....	266
Przeznaczenie.....	260	Deklaracja zgodności.....	269
Przegląd.....	261		

---

## Wstęp

---

### Opis produktu

Produkt jest rotacyjną kosiarką obsługiwaną przez operatora. Trawa zbierana jest do pojemnika na trawę. Zdjąć pojemnik na trawę, aby usunąć z niego trawę przez tylny otwór wylotowy.

### Przegląd produktu

(Rys. 1)

1. Uchwyt / uchwyt sterowniczy
2. Dźwignia napędu (LC 140SP)
3. Rączka linki rozrusznika
4. Pojemnik na trawę
5. Zbiornik paliwa
6. Filtr powietrza
7. Świeca zapłonowa
8. Osłona modułu tnącego
9. Tłumik
10. Korek zbiornika paliwa
11. Dźwignia regulacji wysokości koszenia
12. Pokrywa tylna
13. Uchwyt hamulca silnika
14. Symbole
15. Montaż uchwytu dolnego
16. Uchwyt dolny
17. Instrukcja obsługi
18. Lejek oleju

### Symbole znajdujące się na produkcie

- (Rys. 2)      **OSTRZEŻENIE!** Należy zachować ostrożność i prawidłowo korzystać z produktu. Produkt może spowodować poważne obrażenia ciała lub śmierć operatora lub innych osób.
- (Rys. 3)      Przed przystąpieniem do pracy prosimy dokładnie i ze zrozumieniem zapoznać się z treścią niniejszej instrukcji obsługi.
- (Rys. 4)      Należy uważać na wyrzucane i rykoszetujące przedmioty.

### Przeznaczenie

Produkt służy fo cięcia trawy. Nie używać produktu do innych zadań.

- (Rys. 5)      Ludzie i zwierzęta powinny przebywać w bezpiecznej odległości od obszaru roboczego.
- (Rys. 6)      Ostrzeżenie: Ręce i stopy należy trzymać z dala od obracającego się noża.
- (Rys. 7)      Ostrzeżenie: Nie zbliżać dłoni i stóp do części obrotowych.
- (Rys. 8)      Przed rozpoczęciem napraw lub konserwacji urządzenia wyłączyć silnik i zdjąć przewód zapłonowy.
- (Rys. 9)      Niniejszy produkt jest zgodny z obowiązującymi dyrektywami WE.
- (Rys. 10)      Etykieta emisji hałasu do środowiska zgodnie z dyrektywami oraz przepisami UE i Wielkiej Brytanii, a także przepisami Nowej Południowej Walii „Protection of the Environment Operations (Noise Control) Regulation 2017”. Gwarantowany poziom mocy akustycznej urządzenia jest określony w *Dane techniczne na stronie 266* oraz na etykiecie.
- (Rys. 11)      Ten produkt jest zgodny z przepisami obowiązującymi w Wielkiej Brytanii.
- (Rys. 12)      Ryzyko pożaru.
- (Rys. 13)      Nie wdychać oparów spalin. Spaliny z silnika zawierają tlenek węgla, który jest bezwonny, trującym i niebezpiecznym gazem. Nie należy uruchamiać silnika wewnątrz pomieszczeń lub w zamkniętych przestrzeniach.

(Rys. 14) Gorąca powierzchnia.

(Rys. 15) Przed uruchomieniem urządzenia należy napełnić silnik olejem.

**Uwaga:** Pozostałe symbole/naklejki samoprzylepne umieszczone na produkcie dotyczą wymogów związanych z certyfikatami w niektórych obszarach komercyjnych.

## Emisje Euro V



**OSTRZEŻENIE:** Ingerencja w silnik powoduje unieważnienie europejskiego zatwierdzenia typu produktu.

## Bezpieczeństwo

### Definicje dotyczące bezpieczeństwa

Ostrzeżenia, uwagi i informacje są używane do zwrócenia uwagi na szczególnie ważne sekcje instrukcji obsługi.



**OSTRZEŻENIE:** Jest używane, gdy istnieje ryzyko poważnych obrażeń, śmierci operatora lub uszkodzenia otoczenia w wyniku nieprzestrzegania instrukcji obsługi.



**UWAGA:** Jest używane, gdy istnieje ryzyko uszkodzenia materiałów lub urządzenia w wyniku nieprzestrzegania instrukcji obsługi.

**Uwaga:** Stosuje się, aby przekazać więcej informacji, które są przydatne w danej sytuacji.

### Ogólne zasady bezpieczeństwa



**OSTRZEŻENIE:** Przed rozpoczęciem użytkowania produktu przeczytać następujące ostrzeżenia.

- Produkt ten może być niebezpieczny w przypadku jego nieprawidłowego użytkowania i niezachowania ostrożności. Nieprzestrzeganie instrukcji bezpieczeństwa może spowodować obrażenia ciała lub śmierć.
- Niniejszy produkt podczas pracy wytwarza pole elektromagnetyczne. W pewnych okolicznościach pole to może zakłócać pracę aktywnych lub pasywnych implantów medycznych. Przed użyciem tego produktu osoby z wszczepionym implantem

## Uszkodzenie produktu

Nie odpowiadamy za uszkodzenia naszego produktu, w przypadku gdy:

- produkt jest nieprawidłowo naprawiany.
- produkt jest naprawiany przy użyciu części niepochodzących od producenta lub niezatwierdzonych przez producenta.
- produkt jest wyposażony w akcesoria niepochodzące od producenta lub niezatwierdzone przez producenta.
- produkt nie jest naprawiany w autoryzowanym centrum serwisowym lub przez autoryzowaną placówkę.

medycznym powinny skonsultować się z lekarzem i producentem implantu w celu ograniczenia ryzyka poważnych lub śmiertelnych obrażeń.

- Zawsze zachowywać ostrożność i kierować się zdrowym rozsądkiem. Jeśli nie ma pewności, w jaki sposób należy obsługiwać ten produkt w konkretnej sytuacji, przed wznowieniem pracy należy porozmawiać z dealerm Husqvarna.
- Pamiętać o tym, że operator ponosi odpowiedzialność za wypadki z udziałem innych ludzi i ich własności.
- Utrzymywać produkt czystym. Upewnić się, że można łatwo odczytać oznaczenia i naklejki.
- Nie pozwalać używać maszyny jakimkolwiek osobom, które nie zapoznały się i nie zrozumiały zawartości instrukcji obsługi.
- Nie pozwalać dzieciom używać produktu.
- Należy trzymać dzieci z dala od obszaru roboczego. Zawsze musi jej towarzyszyć odpowiedzialna osoba dorosła.
- Nie pozwalać osobom niezającym instrukcji używać maszyny.
- Należy zawsze kontrolować osobę o ograniczonych możliwościach fizycznych lub umysłowych podczas używania produktu. Zawsze musi jej towarzyszyć odpowiedzialna osoba dorosła.
- Osoba, która jest zmęczona, chora lub pod wpływem alkoholu, narkotyków lub leków nie może obsługiwać urządzenia. Stany te mają negatywny wpływ na wzrok, uwagę, koordynację i osąd.
- Nie używać urządzenia, które jest uszkodzone lub nie działa prawidłowo.
- Nie wolno dokonywać w maszynie zmian stanowiących modyfikację jej oryginalnej wersji. Nie używać maszyny, jeżeli istnieje podejrzenie, że ktoś inny wprowadził w niej zmiany.



- Nie wolno zmieniać ustawień prędkości obrotowej silnika.

## Bezpieczeństwo miejsca pracy



**OSTRZEŻENIE:** Przed rozpoczęciem użytkowania produktu przeczytać następujące ostrzeżenia.

- Usunąć objekty, takie jak gałęzie, gałązki i kamienie z obszaru roboczego przed rozpoczęciem korzystania z maszyny.
- Objekty, które zderzają się z elementami tnącymi, mogą zostać wyrzucone i spowodować obrażenia osób i uszkodzenia przedmiotów. Osoby znajdujące się w pobliżu i zwierzęta powinny zachować bezpieczną odległość od maszyny.
- Nigdy nie należy używać produktu w niesprzyjających warunkach np. we mgłę, w deszczu, przy silnym wietrze, na silnym mrozie, gdy występuje ryzyko wyładowań atmosferycznych. Korzystanie z maszyny w niesprzyjających warunkach lub w wilgotnych czy mokrych lokalizacjach jest męczące. Niesprzyjające warunki pogodowe mogą stworzyć niebezpieczne warunki, takie jak śliskie powierzchnie.
- Należy uważać na osoby, przedmioty i sytuacje, które mogą uniemożliwić bezpieczną obsługę maszyny.
- Należy zwracać uwagę na przeszkody, takie jak korzenie, kamienie, gałązki, dziury i doły. Wysoka trawa może zasłaniać przeszkody.
- Koszenie trawy na pochyłościach może być niebezpieczne. Nie należy używać maszyny na pochyłościach terenu przekraczających 15°.
- Należy używać maszyny, prowadząc ją w poprzek zbocza. Nie należy jeździć w górę i w dół zbocza.
- Zachować ostrożność podczas zbliżania się do narożników lub innych obiektów, które mogą ograniczać widoczność.

## Pracuj bezpiecznie



**OSTRZEŻENIE:** Przed rozpoczęciem użytkowania produktu przeczytać następujące ostrzeżenia.

- Używać maszyny wyłącznie do przycinania trawników. Nie jest dozwolone wykorzystanie maszyny do innych zadań.
- Stosuj środki ochrony osobistej. Patrz *Środki ochrony osobistej na stronie 258*.
- Należy zawsze wiedzieć, jak szybko wyłączyć silnik w razie awarii.
- Nigdy nie należy uruchamiać silnika w zamkniętej przestrzeni lub w pobliżu łatwopalnych materiałów. Spaliny silnikowe mają wysoką temperaturę, mogą zawierać iskry, które mogą się stać przyczyną pożaru.

- Nie należy obsługiwać maszyny, jeśli ostrze oraz wszystkie pokrywy nie zostały prawidłowo zamocowane. Nieprawidłowo zamocowane ostrze może się obluzować i spowodować obrażenia.
- Należy upewnić się, że ostrze nie uderza w żadne objekty, takie jak kamienie czy korzenie. Może to spowodować uszkodzenie ostrza oraz wygięcie wału silnika. Zgięta oś powoduje silne wibracje oraz bardzo wysokie zagrożenie obluzowaniem ostrza.
- Jeśli ostrze uderzy w jakikolwiek obiekt lub jeśli wystąpią wibracje, należy natychmiast wyłączyć maszynę. Odłączyć przewód zapłonowy od świecy zapłonowej. Należy sprawdzić maszynę pod kątem uszkodzeń. Należy naprawić uszkodzenia lub zlecić przeprowadzenie naprawy przez autoryzowany punkt serwisowy.
- Nigdy nie należy na stałe przymocowywać uchwytu hamulca silnikowego do uchwytu podczas pracy silnika.
- Maszynę należy ustawić na stabilnej, płaskiej powierzchni i ją uruchomić. Należy upewnić się, że ostrza nie uderzają w podłoże lub inne przedmioty.
- Podczas obsługi maszyny zawsze należy stać za nią.
- Podczas obsługi maszyny należy upewnić się, że wszystkie koła dotykają podłoża oraz trzymać na kierownicy obie dłonie. Ręce i stopy należy trzymać z dala od obracających się noży.
- Nie przechylać produktu, kiedy uruchomiony jest silnik.
- Należy zachować ostrożność podczas ciągnięcia maszyny do tyłu.
- Nigdy nie należy podnosić maszyny przy włączonym silniku. Jeśli konieczne jest podniesienie maszyny, najpierw należy wyłączyć silnik i odłączyć przewód zapłonowy od świecy zapłonowej.
- Nie należy poruszać się do tyłu podczas obsługi maszyny.
- Podczas poruszania się po obszarach bez trawy, na przykład po żwirowych, kamiennych lub asfaltowych ścieżkach, należy wyłączyć silnik.
- Nie należy biegać z maszyną przy włączonym silniku. Podczas obsługi maszyny zawsze należy poruszać się chodem.
- Przed zmianą wysokości koszenia należy wyłączyć silnik. Nigdy nie należy wykonywać regulacji przy uruchomionym silniku.
- Nigdy nie należy pozostawiać maszyny poza zasięgiem wzroku przy włączonym silniku. Należy wyłączyć silnik i upewnić się, że narzędzia tnące nie obracają się.

# Instrukcje bezpieczeństwa dotyczące obsługi

## Środki ochrony osobistej



**OSTRZEŻENIE:** Przed rozpoczęciem użytkowania produktu przeczytać następujące ostrzeżenia.

- Środki ochrony osobistej nie eliminują całkowicie ryzyka odniesienia obrażeń, natomiast ograniczają ich rozmiar w razie zaistnienia wypadku. Skorzystać z pomocy dealera przy wyborze odpowiedniego sprzętu.
- Jeśli poziom hałasu przekracza 85 dB, należy stosować ochronniki słuchu.
- Należy używać mocnego, przeciwpoślizgowego obuwia ochronnego lub obuwia roboczego. Nie należy używać otwartego obuwia lub chodzić boso.
- Stosować wytrzymałe, długie spodnie.
- W razie potrzeby, na przykład podczas mocowania, badania czy czyszczenia narzędzi tnących, stosować rękawice ochronne.

## Urządzenia zabezpieczające na produkcji



**OSTRZEŻENIE:** Przed rozpoczęciem użytkowania produktu przeczytać następujące ostrzeżenia.

- Nie używać produktu z urządzeniami zabezpieczającymi, które są uszkodzone lub nie działają prawidłowo.
- Regularnie przeprowadzać kontrole urządzeń zabezpieczających. Jeśli urządzenia zabezpieczające są uszkodzone lub nie działają prawidłowo, należy skontaktować się z punktem serwisowym Husqvarna.
- Nie wolno dokonywać modyfikacji urządzeń zabezpieczających.

## Sprawdzanie osłony modułu tnącego

Osłona modułu tnącego ogranicza drgania urządzenia i obniża ryzyko odniesienia obrażeń od ostrza.

- Zbadać osłonę modułu tnącego, aby upewnić się, że nie nosi ona znamion uszkodzenia, takich jak pęknięcia.

## Sprawdzanie dźwigni hamulca silnika

Uchwyt hamulca silnika zatrzymuje silnik. Po zwolnieniu uchwytu hamulca silnika następuje wyłączenie silnika.

- Uruchomić silnik, a następnie zwolnić dźwignię hamulca silnika. Jeśli silnik nie wyłączy się w czasie 3 sekund, zatwierdzony serwis obsługi technicznej Husqvarna powinien wyregulować hamulec silnika. (Rys. 16)

## Tłumik

Tłumik ogranicza do minimum poziom hałasu i odprowadza spaliny poza strefę pracy operatora.

Nie używać produktu, jeśli tłumik nie jest zamontowany lub jest uszkodzony. Uszkodzony tłumik zwiększa poziom hałasu i ryzyko pożaru.



**OSTRZEŻENIE:** Tłumik nagrzewa się do wysokiej temperatury podczas użytkowania oraz gdy silnik pracuje na obrotach biegu jałowego, oraz pozostaje gorący przez pewien czas po wyłączeniu silnika. W przypadku zbliżenia się do łatwopalnych materiałów i/lub spalin należy zachować szczególną ostrożność, aby zapobiec pożarowi.

## Zasady bezpieczeństwa dotyczące paliwa



**OSTRZEŻENIE:** Przed rozpoczęciem użytkowania produktu przeczytać następujące ostrzeżenia.

- Nie uruchamiać produktu, jeśli znajduje się na nim paliwo lub olej silnikowy. Usunąć niechciane paliwo/olej i odczekać, aż produkt wyschnie.
- W przypadku rozlania paliwa na ubranie należy je natychmiast zmienić.
- Nie dopuścić do kontaktu paliwa z ciałem, ponieważ może to spowodować obrażenia. W przypadku kontaktu paliwa z ciałem należy użyć wody z mydłem w celu jego usunięcia.
- Nie uruchamiać maszyny, jeśli silnik jest nieszczelny. Regularnie sprawdzać silnik pod kątem nieszczelności.
- Z paliwem należy obchodzić się ostrożnie. Paliwo jest łatwopalne, a jego opary mogą wybuchnąć, powodując obrażenia lub śmierć.
- Nie wdychać oparów paliwa, ponieważ może to być groźne dla zdrowia lub życia. Zapewnić odpowiednią wentylację.
- Nie palić tytoniu w pobliżu paliwa lub silnika.
- Nie umieszczać gorących przedmiotów w pobliżu paliwa lub silnika.
- Nie dolewać paliwa podczas pracy silnika.
- Przed tankowaniem upewnić się, że silnik jest zimny.
- Przed tankowaniem pomału odkręcić korek zbiornika paliwa i ostrożnie zwolnić ciśnienie.
- Nie dolewać paliwa do silnika w zamkniętym pomieszczeniu. Niewystarczający przepływ powietrza może doprowadzić do obrażeń lub śmierci na skutek uduszenia lub zatrucia tlenkiem węgla.
- Do końca dokręcić korek zbiornika paliwa. W przypadku braku dokręcenia korka zbiornika paliwa istnieje ryzyko powstania pożaru.

- Przed uruchomieniem należy przenieść produkt co najmniej 3 metry / 10 stóp od miejsca, w którym napelniany był zbiornik paliwa.
- Nie napelniać zbiornika paliwa całkowicie. Ciepło powoduje zwiększenie objętości paliwa. Pozostawić wolną przestrzeń na górze zbiornika.
- Nigdy nie przechowywać produktu wraz ze zbiornikiem wypełnionym paliwem wewnątrz budynku, w którym znajdują się źródła zapłonu, takie jak podgrzewacze wody, grzejniki lub suszarki do ubrań. Przed odstawieniem silnika do przechowywania poczekać, aż ostygnie.
- Przed rozpoczęciem konserwacji produktu wyłączyć silnik i odłączyć przewód zapłonowy ze świecy zapłonowej.
- W trakcie konserwacji narzędzi tnących należy korzystać z rękawic ochronnych. Ostrze jest bardzo ostre i może łatwo doprowadzić do skaleczenia.
- Niezatwierdzone przez producenta akcesoria i modyfikacje maszyny mogą spowodować poważne obrażenia lub śmierć. Nie należy modyfikować maszyny. Należy korzystać wyłącznie z akcesoriów zatwierdzonych do użytku przez producenta.
- W przypadku nieprawidłowo lub nieregularnie przeprowadzanej konserwacji wzrasta ryzyko obrażeń oraz uszkodzenia produktu.
- Konserwację należy przeprowadzać wyłącznie w sposób określony w instrukcji użytkownika. Wszelkie prace serwisowe muszą być wykonywane przez zatwierdzonego serwis Husqvarna.
- Należy dopilnować przeprowadzania regularnej konserwacji maszyny przez autoryzowany serwis Husqvarna.
- Wymienić uszkodzone, zużyte lub zniszczone części.

## Instrukcje bezpieczeństwa dotyczące konserwacji



**OSTRZEŻENIE:** Przed rozpoczęciem użytkowania produktu przeczytać następujące ostrzeżenia.

- Spaliny z silnika zawierają tlenek węgla, który jest bezwonny, trującym i niebezpiecznym gazem. Nie należy uruchamiać silnika wewnątrz pomieszczeń lub w zamkniętych przestrzeniach.

## Montaż

### Montaż uchwyty

1. Przepchnąć śrubę (A) przez uchwyt (B), plastikową podkładkę (C) i wspornik uchwyty (D). (Rys. 17)
2. Całkowicie dokręcić nakrętkę (E).
3. Przepchnąć śrubę (F) przez podkładkę (G) i wspornik uchwyty.
4. Dokręcić pokrętło (H) do końca.
5. Wyrównać otwory w drążku sterującym z otworami w uchwycie dolnym i zamocować śruby, podkładki i pokrętła. Dokręcić do końca pokrętła. (Rys. 18)
6. Zamocować przewody do uchwyty za pomocą uchwytytów przewodu. (Rys. 19)

**Uwaga:** Upewnić się, że napięcie przewodów nie jest zbyt wysokie. Zbyt mocne napięcie może spowodować uszkodzenie przewodu w przypadku złożenia uchwyty do położenia transportowego.

7. Owinąć przewody wokół haka w dolnej części uchwyty. (Rys. 20)

### Regulacja wysokości uchwyty

1. Poluzować dolne pokrętła. (Rys. 21)
2. Zdjąć pokrętło, podkładkę i śrubę po lewej i prawej stronie.
3. Uchwyt można ustawić na 2 różnych wysokościach. Włożyć śrubę do jednego z 2 otworów po lewej i prawej stronie. (Rys. 22)
4. Zamocować śruby, podkładki i pokrętła.

5. Przesunąć pokrętła w górę w kierunku uchwyty aż do zatrzaśnięcia. Dokręcić do końca pokrętła. (Rys. 23)

### Ustawienie kosiarki w pozycji transportowej

1. Wymontować pojemnik na trawę.
2. Poluzować pokrętła w uchwycie górnym i złożyć uchwyt do tyłu. (Rys. 24)
3. Poluzować dolne pokrętła.
4. Przesunąć pokrętła do dolnych końców rowków po lewej i prawej stronie produktu. (Rys. 25)
5. Złożyć rękojeść do przodu. (Rys. 26)

### Ustawienie kosiarki w pozycji roboczej

1. Podnieść uchwyt sterowniczy, aż uchwyt dolny zablokuje się w położeniu roboczym. (Rys. 27)
2. Przesunąć pokrętła w górę w kierunku uchwyty aż do zatrzaśnięcia.
3. Dokręcić do końca pokrętła. (Rys. 28)
4. Podnieść górną część uchwyty sterowniczego.
5. Dokręcić do końca pokrętła. (Rys. 29)

### Montaż pojemnika na trawę

1. Zamocować górną część pojemnika na trawę do jego dolnej części. (Rys. 30)
2. Przymocować ramę pojemnika na trawę za pomocą zacisków. (Rys. 31)

3. Unieść tylną pokrywę.
4. Zamocować haki pojemnika na trawę do górnej krawędzi obudowy. (Rys. 32)
5. Włożyć dolną część pojemnika na trawę do kanału otworu wylotowego trawy.

---

## Przeznaczenie

---

### Wstęp



**OSTRZEŻENIE:** Przed użyciem urządzenia należy przeczytać ze zrozumieniem rozdział poświęcony bezpieczeństwu.

### Husqvarna Connect

Husqvarna Connect to darmowa aplikacja na urządzenia mobilne. Husqvarna ConnectHusqvarna

- Extended product information.
- Information about, and help with, product parts and servicing.

### Rozpoczęcie użytkowania Husqvarna Connect

1. Pobierz aplikację Husqvarna Connect na swoim urządzeniu mobilnym.
2. Zarejestruj się w aplikacji Husqvarna Connect.
3. Wykonaj instrukcje wyświetlane w aplikacji Husqvarna Connect, aby nawiązać połączenie i zarejestrować produkt.

### Przed użyciem urządzenia

1. Należy dokładnie i ze zrozumieniem zapoznać się z treścią niniejszej instrukcji.
2. Należy sprawdzić narzędzia tnące, aby upewnić się, że są one prawidłowo zamontowane i wyregulowane. Patrz *Kontrola osprzętu tnącego na stronie 262*.
3. Napełnić zbiornik paliwa. Patrz *Uzupełnianie paliwa w modelu na stronie 260*.
4. Napełnić zbiornik oleju i wykonać kontrolę poziomu oleju. Patrz *Kontrola poziomu oleju w modelu na stronie 263*.

### Uzupełnianie paliwa w modelu

Jeśli jest to możliwe, należy stosować benzynę z niskoemisyjnym paliwem alkilatowym. W przypadku braku dostępności benzyny z niskoemisyjnym paliwem alkilatowym należy korzystać z dobrej jakości benzyny bezołowiowej lub benzyny ołowiowej o liczbie oktanowej nie niższej niż 91.



**UWAGA:** Nie używać benzyny o liczbie oktanowej niższej niż 91 RON. Niezastosowanie się do tego zalecenia może spowodować uszkodzenie produktu.



**UWAGA:** Wymieniać filtr paliwa raz w roku lub częściej, jeśli zachodzi taka potrzeba. Nowy filtr paliwa można nabyć u lokalnego dealera firmy Husqvarna.



**UWAGA:** Zawsze wyłączać silnik przed zatankowaniem paliwa.



**UWAGA:** Nie używać płynów zapłonowych pod ciśnieniem.

1. Powoli otworzyć korek wlewowy w celu wyrównania ciśnienia.
2. Powoli napełniać zbiornik paliwa. W przypadku rozlania paliwa należy je usunąć przy użyciu ścierki i pozwolić na wyschnięcie pozostałego paliwa. (Rys. 33)
3. Oczyścić korek wlewowy i powierzchnię wokół niego.
4. Do końca dokręcić korek zbiornika paliwa. W przypadku braku dokręcenia korka zbiornika paliwa istnieje ryzyko powstania pożaru.
5. Przed uruchomieniem należy przenieść produkt co najmniej 3 metry / 10 stóp od miejsca, w którym napełniany był zbiornik paliwa.

### Regulacja wysokości koszenia

1. Przesunąć dźwignię wysokości koszenia do tyłu w celu zwiększenia wysokości koszenia.
2. Przesunąć dźwignię wysokości koszenia do przodu w celu zmniejszenia wysokości koszenia. (Rys. 34)



**UWAGA:** Nie należy ustawiać zbyt niskiej wysokości koszenia. Ostrza mogą uderzyć w podłoże, jeśli powierzchnia trawnika nie jest równa.

### Uruchamianie produktu

1. Należy upewnić się, że przewód zapłonowy jest połączony ze świecą zapłonową.
2. Należy pozostawać za maszyną.
3. Przytrzymać dźwignię hamulca silnika przy drążku sterującym. (Rys. 35)
4. Należy trzymać rączkę linki rozrusznika prawą dłonią.

5. Powoli pociągnąć za linkę rozrusznika do poczucia oporu.
6. Pociągnąć, używając odpowiedniej siły, aby uruchomić silnik.



**OSTRZEŻENIE:** Nie owijać linki rozrusznika wokół dłoni.

## Korzystanie z napędu kół

- Popchnąć dźwignię napędu w stronę dźwazka sterującego. (Rys. 36)
- Zwolnić dźwignię napędu, aby odłączyć napęd na przykład w sytuacji zbliżania się do przeszkody.
- Przed pociągnięciem maszyny do tyłu należy odłączyć napęd i popchnąć maszynę do przodu o około 10 cm.

## Zatrzymywanie urządzenia

- Aby wyłączyć wyłącznie napęd, należy zwolnić dźwignię napędu.

- Aby zatrzymać silnik, należy zwolnić dźwignię hamulca silnika.

## Uzyskiwanie dobrych rezultatów

- Używać zawsze dobrze naostrzonych ostrzy. Stępione ostrze daje nierównomierne rezultaty, a ścinana powierzchnia żółknie. Naostrzone ostrze zużywa również mniej energii niż ostrze stępione.
- Nie należy kosić więcej niż 1/3 długości trawy. Najpierw należy kosić przy użyciu dużej wysokości koszenia. Zbadać rezultaty i obniżyć wysokość koszenia do odpowiedniego poziomu. Jeśli trawa jest bardzo długa, w razie konieczności należy przejechać powoli i ściąć dwukrotnie.
- Kosić za każdym razem w różnych kierunkach, aby uniknąć powstawania pasów na trawniku.
- Utrzymywać osłonę zespołu tnącego w czystości. Nagromadzenie trawy i zanieczyszczeń po wewnętrznej stronie osłony zespołu tnącego może zmniejszyć efekt koszenia. Patrz *Czyszczenie powierzchni wewnętrznej osłony modułu tnącego na stronie 262.*

## Przegląd

### Wstęp



**OSTRZEŻENIE:** Przed przeprowadzeniem konserwacji należy przeczytać i zrozumieć rozdział o bezpieczeństwie.

Do wykonywania wszelkich prac serwisowych i naprawczych konieczne jest specjalistyczne przeszkolenie. Gwarantujemy dostępność profesjonalnych napraw i usług serwisowych. Jeśli dany dealer nie jest autoryzowanym punktem serwisowym, poproś sprzedawcę o informacje na temat najbliższego autoryzowanego punktu serwisowego.

Aby uzyskać więcej szczegółowych informacji, patrz .

### Plan konserwacji



**UWAGA:** Upewnij się, że filtr powietrza jest uniesiony i nie dotyka podłoża po przechyleniu produktu. Ryzyko uszkodzenia silnika.

Odstępy pomiędzy konserwacjami obliczane są w oparciu o codzienne wykorzystanie produktu. Odstępy te ulegają zmianie, jeśli maszyna nie jest użytkowana codziennie.

Czynności konserwacyjne oznaczone znakiem \* objaśniono w instrukcjach w części *Urządzenia zabezpieczające na produkcie na stronie 258.*

Przegląd	Codziennie	Co miesiąc	Co sezon
Przeprowadzenie ogólnego przeglądu	X		
Kontrola poziomu oleju	X		
Wymienić olej (pierwszy raz po 5 godzinach użytkowania, następnie po upływie każdych 50 godzin). <sup>127</sup>			X
Wyczyszczenie maszyny	X		
Kontrola osprzętu tnącego	X		
Sprawdzanie osłony cięcia*	X		
Kontrola dźwigni hamulca silnika*	X		

<sup>127</sup> Jeśli produkt jest użytkowany przy dużym obciążeniu lub w wysokich temperaturach otoczenia, olej silnikowy należy wymieniać co 25 godzin.

Przegląd	Codziennie	Co miesiąc	Co sezon
Kontrola tłumika*		X	
Sprawdzić świecę zapłonową. W razie potrzeby wyczyścić lub wymienić świecę zapłonową			X
Sprawdzić filtr powietrza	X		
Sprawdzić filtr powietrza <sup>128</sup>		X	
Wymienić filtr powietrza			X
Kontrola układu paliwowego			X
Oczyścić żeberka chłodzące cylindra.		X	
Kontrola i regulacja linki sprężła (LC 140SP)			X

## Przegląd ogólny

- Należy upewnić się, że wszystkie nakrętki i śruby maszyny są odpowiednio dokręcone.

## Czyszczenie maszyny od zewnątrz

- W celu usunięcia liści, trawy i brudu należy użyć szczotki.
- Należy upewnić się, że wlot powietrza zlokalizowany nad silnikiem nie jest zablokowany.
- Nie używać myjek wysokociśnieniowych do czyszczenia urządzenia.
- Jeśli do czyszczenia maszyny używana jest woda, nie należy polewać nią bezpośrednio silnika.

## Czyszczenie powierzchni wewnętrznej osłony modułu tnącego

- Opróżnić zbiornik paliwa.
- Przechylić maszynę. Upewnić się, że świeca zapłonowa jest skierowana w górę.



**UWAGA:** Jeśli maszyna położona zostanie ze skierowanym do dołu filtrem powietrza, może dojść do uszkodzenia silnika.

- Należy spłukać powierzchnie wewnętrzne osłony osprzętu tnącego wodą.

## Kontrola osprzętu tnącego



**OSTRZEŻENIE:** Aby zapobiec przypadkowemu uruchomieniu, należy odłączyć przewód zapłonowy od świecy zapłonowej.



**OSTRZEŻENIE:** W trakcie konserwacji narzędzi tnących należy korzystać z rękawic ochronnych. Ostrze jest bardzo ostre i może łatwo doprowadzić do skaleczenia.

- Należy skontrolować, czy osprzęt tnący nie jest uszkodzony bądź pęknięty. Zawsze wymieniać uszkodzony osprzęt tnący.
- Obejrzeć ostrze i upewnić się, że nie jest uszkodzone lub stępione.

**Uwaga:** Po ostrzeniu ostrze należy wypoziomować. Ostrzenie, wymiana i poziomicowanie ostrza winno zostać przeprowadzone przez centrum serwisowe. W przypadku uderzenia w przeszkodę, która zatrzymuje maszynę, należy wymienić uszkodzone ostrze. Pozwolić, aby przedstawiciel serwisowy oszacował, czy ostrze można naostrzyć czy wymienić.

## Wymiana noża

- Zablokować nóż przy użyciu drewnianego bloku. (Rys. 37)
- Wykręcić śrubę noża i wyjąć podkładkę sprężynową.
- Zdjąć nóż.
- Skontrolować wspornik noża oraz śrubę noża pod kątem uszkodzeń.
- Skontrolować wał silnika, aby upewnić się, że nie jest zgięty.
- Podczas mocowania nowego noża należy skierować zakrzywione końce noża ku pokrywie zespołu tnącego. (Rys. 38)
- Upewnić się, że ostrze jest wyrównane względem środka wału silnika.

<sup>128</sup> Czyścić częściej w warunkach dużego zapylenia lub w przypadku obecności zanieczyszczeń unoszących się w powietrzu. Wymienić wkład filtra powietrza, jeżeli jest bardzo brudny.

- Zablokować nóż przy użyciu drewnianego bloku. Zamocować podkładkę sprężynową i dokręcić śrubę oraz podkładkę momentem dokręcania wynoszącym 45–60 Nm. (Rys. 39)
- Obracać nożem za pomocą ręki i sprawdzić, czy obraca się swobodnie.



**OSTRZEŻENIE:** Nosić solidne rękawice ochronne. Nóż jest bardzo ostry i może łatwo doprowadzić do skaleczenia.

- Uruchomić maszynę w celu przetestowania noża. Jeśli nóż nie został zamontowany prawidłowo, maszyna będzie wibrować lub rezultaty koszenia będą niezadowalające.

## Kontrola poziomu oleju w modelu



**UWAGA:** Za niski poziom oleju może doprowadzić do poważnego uszkodzenia silnika. Przed uruchomieniem maszyny należy skontrolować poziom oleju.

- Postawić maszynę na równym podłożu.
- Odkręcić i wyjąć korek zbiornika oleju z zamocowanym przętowym wskaźnikiem poziomu oleju.
- Zetrzeć olej z przętowego wskaźnika poziomu oleju.
- Wsunąć przętowy wskaźnik całkowicie do zbiornika, aby sprawdzić rzeczywisty poziom oleju. Nie przykręcać korka zbiornika oleju.
- Odkręcić i wyjąć korek zbiornika oleju z zamocowanym przętowym wskaźnikiem poziomu oleju.
- Sprawdzić poziom oleju na wskaźniku przętowym.
- Jeśli poziom oleju jest zbyt niski, napęlić zbiornik olejem silnikowym i wykonać ponowną kontrolę poziomu oleju. (Rys. 40)

**Uwaga:** Użyć lejka, aby uniknąć rozlania.

- Założyć korek zbiornika oleju, gdy poziom oleju jest prawidłowy.

## Wymiana oleju silnikowego



**OSTRZEŻENIE:** Olej silnikowy jest niezwykle gorący bezpośrednio po wyłączeniu silnika. Poczekać na ostygnięcie silnika przed spuszczeniem oleju silnikowego. W przypadku rozlania oleju silnikowego na skórę, zmyć go wodą z mydłem.

(Rys. 41)

- Obsługiwać maszynę do momentu opróżnienia zbiornika paliwowego.

- Odkręcić przewód zapłonowy od świecy zapłonowej.
- Odkręcić i wyjąć korek zbiornika oleju z zamocowanym przętowym wskaźnikiem poziomu oleju.
- Umieścić pod maszyną pojemnik, do którego zebrany zostanie olej silnikowy.
- Przechylić produkt lub spuścić olej silnikowy ze zbiornika oleju za pomocą pompy oleju (akcesorium).
- Napełnić nowym olejem silnikowym zgodnym z zaleceniami zawartymi w *Dane techniczne na stronie 266*.
- Skontrolować poziom oleju. Patrz *Kontrola poziomu oleju w modelu na stronie 263*.
- Założyć korek zbiornika oleju, gdy poziom oleju jest prawidłowy.

## Czyszczenie filtra gąbkowego



**UWAGA:** Nie uruchamiać silnika bez filtrów powietrza. Zużycie silnika wzrasta, jeśli powietrze jest zanieczyszczone.

- Zdjąć pokrywę filtra powietrza (A). (Rys. 42)
- Wyjąć filtry gąbkowe (B).



**UWAGA:** Sprawdzić, czy filtry gąbkowe nie są uszkodzone lub zużyte. Wymienić wszystkie uszkodzone filtry gąbkowe.

- Wyczyścić filtry gąbkowe wodą z mydłem.
- Wyplukać filtry gąbkowe w czystej wodzie.
- Wycisnąć wodę z filtrów gąbkowych i pozostawić do wyschnięcia.



**UWAGA:** Nie używać sprężonego powietrza. Może ono spowodować uszkodzenie filtra gąbkowego.

- Nasmarować filtry gąbkowe olejem silnikowym.
- Przycisnąć do filtra gąbkowego czystą ściereczkę w celu usunięcia nadmiaru oleju.
- Założyć filtry gąbkowe. Upewnić się, że filtry gąbkowe ściśle przylegają do uchwyty filtra powietrza.
- Zamontować pokrywę filtra powietrza.

## Sprawdzanie świecy zapłonowej



**UWAGA:** Stosować wyłącznie świece zapłonowe zalecane przez producenta. Niewłaściwy typ świecy zapłonowej może spowodować uszkodzenie produktu.

- Sprawdzić świecę zapłonową, jeśli silnik ma za małą moc, trudno go uruchomić lub nie działa prawidłowo na biegu jałowym.
- Aby zmniejszyć ryzyko przedostawania się niepożądanych materiałów na elektrody świecy zapłonowej, należy przestrzegać poniższych instrukcji:
  - a) Dopilnować, by obroty biegu jałowego zostały prawidłowo wyregulowane.
  - b) Dopilnować, aby używana była odpowiednia mieszanka paliwowa.
  - c) Zadbac o czystość filtra powietrza.
- Jeśli świeca zapłonowa jest zabrudzona, należy ją wyczyścić i upewnić się, że odstęp między elektrodami jest prawidłowy, patrz *Dane techniczne na stronie 266*. (Rys. 43)
- W razie potrzeby wymienić świecę zapłonową.

1. Opróżnić zbiornik paliwa.
2. Odsunąć zaczepek przewodu z dala od zbiornika paliwa. (Rys. 44)
3. Odłączyć przewód paliwowy od zbiornika paliwa. Może dojść do wycieku niewielkiej ilości paliwa. (Rys. 45)
4. Wymontować filtr paliwa ze zbiornika paliwa. (Rys. 46)
5. Zamontować nowy filtr paliwa w zbiorniku paliwa.
6. Przymocować przewód paliwowy do zbiornika paliwa.
7. Przymocować zaczepek przewodu na miejscu, naprzeciw zbiornika paliwa.

## Kontrolowanie instalacji paliwowej

- Skontrolować korek zbiornika paliwa oraz uszczelkę korka zbiornika paliwa w celu upewnienia się, że nie występują żadne uszkodzenia.
- Skontrolować przewód paliwowy w celu upewnienia się, że nie przecieka. W przypadku uszkodzenia przewodu paliwowego zlecić jego wymianę przedstawicielowi serwisowemu.

## Opróżnianie zbiornika paliwa.

1. Umieścić pojemnik pod zbiornikiem paliwa.
2. Odkręcić korek zbiornika paliwa.
3. Zacisnąć opaski zaciskowe przewodu paliwowego na gaźniku.
4. Wymontować przewód paliwowy z gaźnika.
5. Umieścić przewód zbiornika paliwa w pojemniku i wymontować opaski zaciskowe przewodu.
6. Przechylić urządzenie i spuścić paliwo do pojemnika.

## Regulacja linki sprzęgła (LC 140SP)

Skrócenie linki sprzęgła jest konieczne w następujących sytuacjach:

- Po pociągnięciu dźwigni napędu lub dźwigni regulacji obrotów napęd kół nie włącza się.
- Po włączeniu napędu kół produkt porusza się powoli.

Wydłużenie linki sprzęgła jest konieczne w następujących sytuacjach:

- Produkt porusza się, gdy napęd kół nie jest włączony.
- Wyregulować linkę sprzęgła.
  - a) Aby skrócić linkę sprzęgła, należy obrócić śrubę regulacyjną w lewo.
  - b) Aby wydłużyć linkę sprzęgła, należy obrócić śrubę regulacyjną w prawo. (Rys. 47)

Jeśli po zakończeniu regulacji produktu jego działanie wciąż będzie niezadowolające, należy skontaktować się z punktem serwisowym

## Wymiana filtra paliwa



**OSTRZEŻENIE:** Stosować rękawice ochronne.



## Rozwiązywanie problemów z silnikiem

Problem	Możliwa przyczyna	Rozwiązanie
Silnik nie uruchamia się.	Przewód zapłonowy nie jest poprawnie podłączony.	Podłączyć przewód zapłonowy do świecy zapłonowej.
	Zbiornik paliwa jest pusty.	Zbiornik paliwa napełniać czystą mieszanką paliwową.
	Paliwo jest stare.	Opróżnić zbiornik paliwa i gaźnik. Zatkanować nową benzynę.
	Gaźnik lub przewód paliwowy jest zabrudzony.	Wyczyścić gaźnik i/lub przewód paliwowy.
	Świeca zapłonowa jest uszkodzona.	Wyregulować odstęp między elektrodami, wyczyścić lub wymienić świecę zapłonową.
	Na świecy zapłonowej znajduje się paliwo.	Oczyścić świecę zapłonową.
Silnik nie zatrzymuje się.	Mechanizm zatrzymania nie działa prawidłowo.	Odłączyć przewód zapłonowy od świecy zapłonowej. Wykonanie naprawy należy zlecić autoryzowanemu warsztatowi obsługi technicznej.
Silnik nie pracuje płynnie.	Przewód zapłonowy nie jest poprawnie podłączony.	Podłączyć przewód zapłonowy do świecy zapłonowej.
	Przewód paliwowy jest zabrudzony lub paliwo jest stare.	Wyczyścić przewód paliwowy. Napełnić zbiornik paliwa odpowiednim czystym paliwem.
	Zakrętka zbiornika paliwa jest zapchana.	Oczyścić korek zbiornika paliwa.
	W układzie paliwowym znajdują się zanieczyszczenia lub woda.	Opróżnić zbiornik paliwa. Napełnić zbiornik paliwa odpowiednim czystym paliwem.
	Filtr powietrza jest zabrudzony.	Oczyścić filtr powietrza.
	Należy wyregulować gaźnik.	Regulację gaźnika należy zlecić punktowi serwisowemu.
Silnik staje się zbyt gorący.	Poziom oleju silnikowego jest zbyt niski.	Napełnić olej silnikowy.
	Przepływ powietrza jest niewystarczający.	Wyczyścić filtr powietrza i obudowę filtra powietrza.
	Należy wyregulować gaźnik.	Regulację gaźnika należy zlecić punktowi serwisowemu.
Podczas pracy na wysokich obrotach silnika występują przerwy w zaplonie.	Odstęp między elektrodami świecy zapłonowej jest zbyt mały.	Ustawić odstęp między elektrodami.

Problem	Możliwa przyczyna	Rozwiązanie
Z silnika wydobywa się nietypowy hałas przy normalnym obciążeniu.	Nieprawidłowy typ benzyny.	Opróżnić zbiornik paliwa i gaźnik. Zatkanować nową benzynę. Patrz <i>Uzupełnianie paliwa w modelu na stronie 260</i> . Jeśli problem utrzymuje się, należy skontaktować się z lokalnym warsztatem obsługi technicznej.
Silnik nie pracuje płynnie przy obrotach biegu jałowego.	Świeca zapłonowa jest zanieczyszczona lub uszkodzona lub odstęp między elektrodami jest zbyt duży.	Wyregulować odstęp między elektrodami lub wymienić świecę zapłonową.
	Należy wyregulować gaźnik.	Wyregulować gaźnik.
	Filtr powietrza jest zabrudzony.	Oczyścić filtr powietrza.

## Transport, przechowywanie i utylizacja

### Transport i przechowywanie

- W zakresie przechowywania i transportu maszyny i paliwa należy upewnić się, że nie ma żadnych przecieków ani nie wydostają się z urządzenia żadne opary. Iskry lub otwarty płomień pochodzące, na przykład, z urządzeń elektrycznych lub kotłów, mogą wzniecić pożar.
- Zawsze należy korzystać z zatwierdzonych pojemników do przechowywania i transportu paliwa.
- Opróżnić zbiornik paliwa przed odłożeniem maszyny na dłuższy okres. Utylizacja paliwa w odpowiednim miejscu
- Podczas transportu, w celu zapobieżenia uszkodzeniu i wypadkom, maszynę należy bezpiecznie zamocować.
- Maszynę należy przechowywać w zamkniętym obszarze w celu uniemożliwienia dzieciom lub

nieupoważnionym osobom uzyskania do niej dostępu.

- Produkt przechowywać w suchym obszarze nie narażonym na przymrozki.

### Utylizacja

- Przestrzegać lokalnych wymogów dotyczących recyklingu oraz obowiązujących przepisów.
- Zutylizować wszelkie środki chemiczne, takie jak olej silnikowy i paliwo, w centrum serwisowym lub w odpowiednim miejscu utylizacji.
- Gdy produkt nie jest już użytkowany, należy go odesłać Husqvarna do dealera lub zutylizować w centrum utylizacji.

## Dane techniczne

### Dane techniczne

	LC 140P	LC 140SP
<b>Silnik</b>		
Marka	Husqvarna	Husqvarna
Nazwa modelu silnika	HS 123A	HS 123A
Typ silnika	Jednocylindrowy, 4-suwowy, wymuszony obieg powietrza chłodzącego, OHV	Jednocylindrowy, 4-suwowy, wymuszony obieg powietrza chłodzącego, OHV
Pojemność, cm <sup>3</sup>	123	123
Prędkość, obr./min	3000	3000

	LC 140P	LC 140SP
Nominalna moc wyjściowa silnika (kW) <sup>129</sup>	1,95	1,95
<b>Układ zapłonowy</b>		
Świeca zapłonowa	Husqvarna HQT-7	Husqvarna HQT-7
Odstęp między elektrodami, w mm	0,7–0,8	0,7–0,8
<b>Układ zasilania/smarowania</b>		
Metoda smarowania silnika	Rozprysk	Rozprysk
Pojemność zbiornika paliwa, litry	0,9	0,9
Pojemność zbiornika oleju, w litrach	0,5	0,5
Olej silnikowy <sup>130</sup>	Husqvarna SAE 30, Husqvarna SAE 5W-30 syntetyczny, Husqvarna SAE 10W-40	Husqvarna SAE 30, Husqvarna SAE 5W-30 syntetyczny, Husqvarna SAE 10W-40
<b>Waga</b>		
Z pustymi zbiornikami, kg	25,2	26,8
<b>Poziom hałas</b> <sup>131</sup>		
Poziom mocy akustycznej, zmierzony, dB(A)	93	93
Poziom głośności, gwarantowana moc akustyczna L <sub>WA</sub> dB(A)	94	94
<b>Poziomy głośności</b> <sup>132</sup>		
Poziom ciśnienia akustycznego przy uchu operatora, dB(A)	82	82
<b>Poziomy drgań</b> <sup>133</sup>		
Poziom drgań uchwytu sterowniczego, m/s <sup>2</sup>	5,6	7,6
<b>Osprzęt tnący</b>		
Wysokość koszenia, mm	25–75	25–75
Szerokość koszenia, mm	400	400
Układ tnący	Zbieranie / wyrzut tylny	Zbieranie / wyrzut tylny

<sup>129</sup> Moc silnika podana jest jako średnia, wyjściowa moc znamionowa (przy podanych obrotach) dla typowego modelu produkowanego silnika zmierzonego wg normy SAE J1349/ISO1585. Silniki produkowane masowo mogą odbiegać od tej wartości. Aktualna moc wyjściowa zainstalowanego na maszynie silnika zależeć będzie od prędkości obrotowej, warunków otoczenia oraz innych wartości.

<sup>130</sup> Używać olejów silnikowych wyłącznie o jakości API SJ lub wyższej. Jeśli olej SAE-30 jest stosowany w temperaturze poniżej +5°C, istnieje ryzyko, że silnik nie będzie odpowiednio smarowany. Może to doprowadzić do uszkodzenia silnika. Informacje na temat prawidłowego poziomu oleju dla niskich temperatur można znaleźć w *Wymiana oleju silnikowego na stronie 263*. Zapoznać się z tabelą lepkości oleju umieszczoną w instrukcji obsługi silnika (jeśli jest dołączona) i wybrać optymalną lepkość na podstawie przewidywanej temperatury zewnętrznej.

<sup>131</sup> Emisję hałasu do otoczenia zmierzono jako moc akustyczną (L<sub>WA</sub>), zgodnie z dyrektywą Rady 2000/14/WE.

<sup>132</sup> Odnotowane dane dla ciśnienia akustycznego mają typowe rozproszenie statystyczne (odchylenie standardowe) w wysokości 1,2 dB (A).

<sup>133</sup> Odnotowane dane dla poziomu wibracji mają typowe rozproszenie statystyczne (odchylenie standardowe) w wysokości 0,2 m/s<sup>2</sup>.

	<b>LC 140P</b>	<b>LC 140SP</b>
Ostrza — standard	5873863-10	5873863-10
Pojemność zbiornika na trawę, l	50	50
<b>Napęd</b>		
Prędkość chodu, km/h	-	4

# Deklaracja zgodności

## Deklaracja zgodności UE

Firma **Husqvarna AB**, SE-561 82 Huskvarna,  
Szwecja, tel.: +46-36-146500, deklarujemy z pełną  
odpowiedzialnością, że produkt:

<b>Opis</b>	Kosiarka
<b>Marka</b>	Husqvarna
<b>Typ/model</b>	LC 140P, LC 140SP
<b>Identyfikacja</b>	Numery seryjne z roku 2022 i nowsze

spełnia wszystkie wymogi określone w odpowiednich  
dyrektywach i przepisach UE:

<b>Przepis</b>	<b>Opis</b>
2006/42/WE	„w sprawie maszyn”
2014/30/UE	„w sprawie kompatybilności elektromagnetycznej”
2000/14/WE	„dotycząca emisji hałasu do środowiska”
2011/65/UE	„dotycząca ograniczenia użycia niektórych substancji niebezpiecznych w sprzęcie elektrycznym i elektronicznym”

oraz został zaprojektowany zgodnie z następującymi  
normami i parametrami technicznymi: EN ISO  
5395-1:2013/A1:2018, EN ISO 5395-2:2013/A1:2016/  
A2:2017, EN ISO 14982:2009, EN IEC 63000:2018

Jednostka notyfikowana: 0404, RISE SMP Svensk  
Maskinprovning AB, Box 4053, SE-904 03 Umeå,  
Szwecja potwierdza zgodność z dyrektywą rady  
2000/14/WE, procedura oceny zgodności: Załącznik VI.

Informacje dotyczące emisji hałasu, patrz *Dane  
techniczne na stronie 266*.

Huskvarna, 2022-09-27

Claes Losdal, Szef ds. Rozwoju Produkcji/Produkty  
ogrodowe, Husqvarna AB

Osoba odpowiedzialna za dokumentację techniczną



---

# ÍNDICE

---

Introdução.....	270	Resolução de problemas no motor.....	280
Segurança.....	271	Transporte, armazenamento e eliminação.....	281
Montagem.....	274	Especificações técnicas.....	281
Funcionamento.....	275	Declaração de conformidade.....	284
Manutenção.....	276		

---

## Introdução

---

### Descrição do produto

O produto é um corta-relva giratório de controlo apeado. A relva é apanhada num coletor de relva. Remova o coletor de relva para recolher a descarga traseira da relva.

### Vista geral do produto

(Fig. 1)

1. Punho/barra de direção
2. Manípulo de direção (LC 140SP)
3. Punho do cabo de arranque
4. Coletor de relva
5. Depósito de combustível
6. Filtro de ar
7. Vela de ignição
8. Cobertura de corte
9. Silenciador
10. Tampa do depósito de óleo
11. Alavanca da altura de corte
12. Cobertura traseira
13. Manípulo de travão do motor
14. Símbolos
15. Conjunto da barra inferior
16. Barra inferior
17. Manual do utilizador
18. Funil para óleo

### Símbolos no produto

(Fig. 2) **AVISO!** Tenha cuidado e utilize o produto corretamente. Este produto pode provocar ferimentos graves ou a morte do utilizador ou terceiros.

(Fig. 3) Leia o manual do utilizador com atenção e certifique-se de que compreende as instruções antes de utilizar o produto.

(Fig. 4) Tenha cuidado com objetos projetados e ricochetes.

### Finalidade

Utilize o produto para cortar a relva. Não utilize o produto para outras tarefas.

(Fig. 5) Mantenha as pessoas e os animais a uma distância de segurança da área de trabalho.

(Fig. 6) **Aviso:** Mantenha as mãos e os pés afastados da lâmina rotativa.

(Fig. 7) **Aviso:** Mantenha as mãos e os pés afastados das peças rotativas.

(Fig. 8) Desligue o motor e retire o cabo de ignição antes de realizar tarefas de reparação ou manutenção.

(Fig. 9) Este produto está em conformidade com as diretivas aplicáveis da CE.

(Fig. 10) Emissão de ruído para a etiqueta ambiental de acordo com as diretivas e regulamentos da União Europeia e do Reino Unido e o regulamento "Protection of the Environment Operations (Noise Control) Regulation 2017" (regulamento de proteção de operações no meio ambiente [controlo do ruído] de 2017) da Nova Gales do Sul. O nível de potência sonora garantido do produto está especificado em *Especificações técnicas na página 281* e na etiqueta.

(Fig. 11) Este produto está em conformidade com os regulamentos aplicáveis do Reino Unido.

(Fig. 12) Risco de incêndio.

(Fig. 13) Não respire os gases de escape. Os gases de escape do motor contêm

monóxido de carbono, um gás inodoro, tóxico e altamente perigoso. Não ligue o motor em zonas interiores ou em espaços fechados.

(Fig. 14) Superfície quente.

(Fig. 15) Encha o motor com óleo antes de ligar o produto.

**Nota:** Os restantes símbolos/autocolantes existentes no produto dizem respeito a requisitos para homologação em algumas áreas comerciais.

## Emissões Euro V



**ATENÇÃO:** A adulteração do motor anula a aprovação deste produto pela UE.

## Segurança

### Definições de segurança

Os avisos, as precauções e as notas são utilizados para indicar partes especialmente importantes do manual.



**ATENÇÃO:** Utilizado no caso de existir risco de ferimento ou morte para o utilizador ou transeuntes, se não forem respeitadas as instruções do manual.



**CUIDADO:** Utilizado se existir risco de danos para o produto, para outros materiais ou para a área adjacente, se não forem respeitadas as instruções do manual.

**Nota:** Utilizado para disponibilizar informações adicionais necessárias numa determinada situação.

### Instruções de segurança gerais



**ATENÇÃO:** Leia as instruções de aviso que se seguem antes de utilizar o produto.

- Este produto é perigoso se for utilizado de forma incorreta ou se não o utilizador for cuidadoso. Podem ocorrer ferimentos graves ou mesmo morte se as instruções de segurança não forem respeitadas.
- Este produto produz um campo eletromagnético durante o funcionamento. Em determinadas circunstâncias, este campo pode interferir com o funcionamento de implantes médicos ativos ou

## Danos no produto

Não somos responsáveis por danos no nosso produto se:

- o produto tiver sido incorretamente reparado.
- o produto tiver sido reparado com peças que não sejam do fabricante ou que não sejam aprovadas pelo fabricante.
- o produto tiver um acessório que não seja do fabricante ou que não seja aprovado pelo fabricante.
- o produto não tiver sido reparado por um centro de assistência autorizado ou por uma autoridade aprovada.

passivos. Para diminuir o risco de ferimentos graves ou mortais, recomendamos que os portadores de implantes médicos consultem o seu médico e o fabricante do implante antes de utilizar este produto.

- Seja sempre cuidadoso e use o seu senso comum. Se não tiver a certeza sobre como utilizar o produto numa situação especial, pare e fale com o seu distribuidor Husqvarna antes de continuar.
- Tenha em atenção que o utilizador é responsável pelos acidentes que incluem outras pessoas ou a respetiva propriedade.
- Mantenha o produto limpo. Certifique-se de que pode ler claramente os sinais e os autocolantes.
- Não permita que o produto seja utilizado por pessoas que não tenham lido e compreendido o conteúdo do manual do utilizador.
- Não deixe uma criança utilizar o produto.
- Mantenha as crianças afastadas da área de trabalho. Tem de estar sempre presente um adulto responsável.
- Não deixe que o produto seja utilizado por uma pessoa que não conhece as instruções.
- Monitorize sempre a utilização do produto por pessoas com diminuição da capacidade física ou mental. Tem de estar sempre presente um adulto responsável.
- Não utilize o produto se estiver cansado, doente ou sob a influência de álcool, drogas ou medicamentos. Estes têm um efeito negativo na sua visão, atenção, capacidade de discernimento ou controlo físico.
- Não utilize um produto que esteja danificado ou que não funcione corretamente.
- Não altere este produto e não o utilize se houver a possibilidade de ter sido alterado por outros.

- Não altere o ajuste do controlo da velocidade do motor.

## Segurança no local de trabalho



**ATENÇÃO:** Leia as instruções de aviso que se seguem antes de utilizar o produto.

- Retire objetos como ramos, galhos e pedras da área de trabalho antes de utilizar o produto.
- Os objetos que embatem no equipamento de corte podem ser projetados e causar danos a pessoas e objetos. Mantenha terceiros e animais a uma distância de segurança do produto.
- Nunca utilize o produto em más condições meteorológicas, como nevoeiro, chuva, ventos fortes, frio intenso e risco de trovoadas. A utilização do produto em más condições meteorológicas ou em localizações molhadas ou com humidade é cansativa. As más condições meteorológicas podem causar condições perigosas, como superfícies escorregadias.
- Observe se há pessoas, objetos e situações que possam impedir o funcionamento seguro do produto.
- Observe se há obstáculos como raízes, pedras, ramos, buracos e valas. A relva longa pode ocultar obstáculos.
- Cortar relva em declives pode ser perigoso. Não utilize o produto em terrenos com um declive superior a 15°.
- Utilize o produto ao longo da face dos declives. Não se desloque para cima e para baixo.
- Tenha cuidado ao aproximar-se de esquinas com pouca visibilidade e de objetos que possam impedir uma boa visibilidade.

## Segurança do trabalho



**ATENÇÃO:** Leia as instruções de aviso que se seguem antes de utilizar o produto.

- Utilize este produto apenas para cortar relva. Não é permitido utilizá-lo para outras tarefas.
- Use equipamento de proteção pessoal. Consulte *Equipamento de proteção pessoal na página 272*.
- Certifique-se de que sabe como desligar o motor rapidamente em caso de emergência.
- Nunca ligue o motor num espaço fechado ou perto de material inflamável. Os gases de escape do motor são quentes e podem conter faíscas causadoras de incêndios.
- Não utilize o produto, a menos que a lâmina e todas as coberturas estejam corretamente montadas. Uma lâmina montada incorretamente pode soltar-se e causar ferimentos pessoais.
- Certifique-se de que a lâmina não atinge objetos como pedras e raízes. Isto pode causar danos à lâmina e dobrar o eixo do motor. Um eixo dobrado

provoca fortes vibrações e um elevado risco de a lâmina se soltar.

- Se a lâmina atingir um objeto ou ocorrerem vibrações, pare o produto imediatamente. Desligue o cabo de ignição da vela de ignição. Examine se o produto apresenta sinais de danos. Repare os danos ou solicite a reparação numa oficina autorizada.
- Nunca ligue o manípulo de travão do motor de modo permanente ao punho durante o arranque do motor.
- Coloque o produto numa superfície estável e plana e ligue-o. Certifique-se de que a lâmina não atinge o solo ou outros objetos.
- Mantenha-se sempre por trás do produto quando o operar.
- Mantenha todas as rodas no chão e as duas mãos sobre o punho quando utilizar o produto. Mantenha as mãos e os pés afastados das lâminas rotativas.
- Não incline o produto quanto ligar o motor.
- Tenha cuidado quando puxar o produto para trás.
- Nunca levante o produto quando ligar o motor. Se tiver de levantar o produto, desligue primeiro o motor e o cabo de ignição da vela de ignição.
- Não caminhe para trás quando operar o produto.
- Desligue o motor quando se deslocar em zonas sem relva, por exemplo caminhos de gravilha, pedra e asfalto.
- Não corra com o produto quando o motor está ligado. Caminhe sempre que operar o produto.
- Pare o motor antes de mudar a altura de corte. Nunca efetue ajustes com o motor ligado.
- Nunca deixe o produto fora de vista com o motor ligado. Pare o motor e certifique-se de que o equipamento de corte não roda.

## Instruções de segurança para funcionamento

### Equipamento de proteção pessoal



**ATENÇÃO:** Leia as instruções de aviso que se seguem antes de utilizar o produto.

- O equipamento de proteção pessoal não previne totalmente os ferimentos mas diminui a respetiva gravidade em caso de acidente. Obtenha ajuda junto do seu concessionário para selecionar o equipamento certo.
- Utilize protetores acústicos se o nível de ruído for superior a 85 dB.
- Use botas ou sapatos antiderrapantes resistentes. Não use calçado aberto nem ande com os pés descalços.
- Use calças compridas e resistentes.
- Use luvas de proteção sempre que necessário, por exemplo, ao fixar, examinar ou limpar o equipamento de corte.



## Dispositivos de segurança no produto

---



**ATENÇÃO:** Leia as instruções de aviso que se seguem antes de utilizar o produto.

- Não utilize um produto com dispositivos de segurança danificados ou que não funcionem corretamente.
- Verifique regularmente os dispositivos de segurança. Se os dispositivos de segurança estiverem danificados ou não funcionarem corretamente, contacte o seu distribuidor com assistência técnica Husqvarna.
- Não realize modificações aos dispositivos de segurança.

### Verificar a cobertura de corte

A cobertura de corte reduz as vibrações no produto e o risco de ferimentos causados pela lâmina.

- Examine a cobertura de corte para se certificar de que não existem danos, como fissuras.

### Verificar o punho do travão do motor

O manípulo de travão do motor para o motor. Quando o manípulo de travão do motor é libertado, o motor para.

- Ligue o motor e depois solte o punho do travão do motor. Se o motor não parar em 3 segundos, solicite o ajuste do travão do motor numa oficina Husqvarna autorizada. (Fig. 16)

### Silenciador

O silenciador mantém o mais baixo nível de ruído possível e afasta os gases de escape do utilizador.

Não utilize o produto se o silenciador estiver danificado ou estiver em falta. Um silenciador danificado aumenta o nível de ruído e o risco de incêndio.



**ATENÇÃO:** O silenciador fica muito quente durante e após a utilização e quando o motor funciona ao ralenti. Tenha cuidado junto de materiais inflamáveis e/ou vapores para evitar incêndios.

## Segurança no manuseamento do combustível

---



**ATENÇÃO:** Leia as instruções de aviso que se seguem antes de utilizar o produto.

- Não ligue o produto se existir combustível ou óleo do motor sobre o produto. Remova o combustível/ óleo indesejado e deixe o produto secar.
- Se derramar combustível na sua roupa, troque de roupa imediatamente.

- Não deixe que o combustível entre em contacto com o seu corpo, pois pode causar ferimentos. Se o combustível entrar em contacto com o seu corpo, utilize sabão e água para o remover.
- Não ligue o produto se o motor tiver uma fuga. Examine regularmente o motor quanto a fugas.
- Tenha cuidado com o combustível. O combustível é inflamável e os gases são explosivos e podem causar ferimentos ou a morte.
- Não respire os gases do combustível, podem causar ferimentos. Certifique-se de que existe um fluxo de ar suficiente.
- Não fume perto de combustível ou do motor.
- Não coloque objetos quentes perto do combustível ou do motor.
- Não acrescente combustível com o motor em funcionamento.
- Certifique-se de que o motor está frio antes de reabastecer.
- Antes de reabastecer, abra lentamente a tampa do depósito de combustível e liberte a pressão com cuidado.
- Não adicione combustível ao motor numa área interior. Um fluxo de ar insuficiente pode causar ferimentos ou morte devido a asfixia ou monóxido de carbono.
- Aperte completamente a tampa do depósito de combustível. Se a tampa do depósito de combustível não estiver apertada, existe risco de incêndio.
- Desloque o produto para uma distância mínima de 3 m (10 pés) da posição onde abasteceu o depósito antes de um arranque.
- Não encha totalmente o depósito de combustível. O calor provoca a expansão do combustível. Deixe espaço vazio na parte superior do depósito de combustível.
- Nunca guarde o produto com combustível no respetivo depósito dentro de um edifício onde existam fontes de ignição, tais como caldeiras, aquecedores ou secadores de vestuário. Deixe o motor arrefecer antes de o armazenar em qualquer espaço fechado.

## Instruções de segurança para manutenção

---



**ATENÇÃO:** Leia as instruções de aviso que se seguem antes de utilizar o produto.

- Os gases de escape do motor contêm monóxido de carbono, um gás inodoro, tóxico e altamente perigoso. Não ligue o motor em zonas interiores ou em espaços fechados.
- Antes de proceder à manutenção do produto, desligue o motor e retire o cabo de ignição da vela de ignição.

- Use luvas de proteção quando realizar a manutenção do equipamento de corte. A lâmina é muito afiada e pode facilmente provocar cortes.
- A utilização de acessórios e a realização de alterações no produto que não sejam aprovadas pelo fabricante podem causar ferimentos graves ou morte. Não altere o produto. Utilize sempre acessórios que sejam aprovados pelo fabricante.
- Se a manutenção não for realizada de forma correta e regular, o risco de ferimentos e danos no produto aumenta.
- Realize apenas tarefas de manutenção indicadas neste manual do proprietário. Todas as outras operações de manutenção devem ser realizadas por uma oficina Husqvarna autorizada.
- Leve o produto regularmente a uma oficina Husqvarna autorizada para realizar a manutenção.
- Substitua as peças danificadas, gastas ou partidas.

---

## Montagem

---

### Montar a barra

1. Empurre o parafuso (A) através do punho (B), da anilha de plástico (C) e do suporte do punho (D). (Fig. 17)
2. Aperte totalmente a porca (E).
3. Empurre o parafuso (F) através da anilha (G) e do suporte do punho.
4. Aperte totalmente o botão (H).
5. Alinhe os orifícios da barra de direção com os orifícios da barra inferior e fixe os parafusos, as arruelas e os botões. Aperte os botões totalmente. (Fig. 18)
6. Fixe os cabos ao punho com os suportes de cabos. (Fig. 19)

---

**Nota:** Certifique-se de que a tensão nos cabos não é demasiado elevada. Uma tensão demasiado elevada pode provocar danos no cabo se o punho estiver dobrado na posição de transporte.

---

7. Coloque os cabos em redor do gancho na parte inferior do punho. (Fig. 20)

### Ajustar a altura da barra

1. Desaperte os manípulos inferiores. (Fig. 21)
2. Retire o botão, a arruela e o parafuso do lado esquerdo e direito.
3. A barra pode ser definida em 2 alturas diferentes. Coloque o parafuso num dos 2 orifícios do lado esquerdo e direito. (Fig. 22)
4. Fixe os parafusos, as arruelas e os botões.
5. Desloque os botões para cima em direção ao punho, até pararem e ouvir um clique. Aperte os botões totalmente. (Fig. 23)

### Colocar o produto na posição de transporte

1. Retire o coletor de relva.
2. Desaperte os manípulos do punho superior e dobre-o para baixo. (Fig. 24)
3. Desaperte os manípulos inferiores.
4. Desloque os botões para a extremidade inferior das ranhuras, dos lados esquerdo e direito do produto. (Fig. 25)
5. Dobre a barra do guiador para a frente. (Fig. 26)

### Para colocar o produto na posição de funcionamento

1. Levante a barra de direção até que o punho inferior bloqueie na posição de funcionamento. (Fig. 27)
2. Desloque os botões para cima em direção ao punho, até pararem e ouvir um clique.
3. Aperte os botões totalmente. (Fig. 28)
4. Levante a parte superior da barra de direção.
5. Aperte os botões totalmente. (Fig. 29)

### Montar o coletor de relva

1. Coloque a parte superior do coletor de relva na parte inferior do mesmo. (Fig. 30)
2. Fixe a estrutura do coletor de relva com grampos. (Fig. 31)
3. Levante a cobertura traseira.
4. Prenda os ganchos do coletor de relva à extremidade superior do chassi. (Fig. 32)
5. Coloque a parte inferior do coletor de relva no canal de descarga da relva.

---

# Funcionamento

---

## Introdução



**ATENÇÃO:** Antes de utilizar o produto, tem ler e compreender o capítulo sobre segurança.

## Husqvarna Connect

A Husqvarna Connect é uma aplicação gratuita para o seu dispositivo móvel. A aplicação Husqvarna Connect disponibiliza funções alargadas para o seu produto Husqvarna:

- Informações alargadas sobre o produto.
- Informações sobre, e ajuda relacionada com peças e manutenção do produto.

## Começar a utilizar Husqvarna Connect

1. Transfira a aplicação Husqvarna Connect para o seu dispositivo móvel.
2. Registe-se na aplicação Husqvarna Connect.
3. Siga os passos das instruções na aplicação Husqvarna Connect para ligar e registar o produto.

## Antes de utilizar o produto

1. Leia o manual do utilizador com atenção e certifique-se de que compreende as instruções.
2. Examine o equipamento de corte para se certificar de que está corretamente montado e ajustado. Consulte o capítulo *Para examinar o equipamento de corte na página 277*.
3. Encha o depósito de combustível. Consulte o capítulo *Encher o depósito de combustível na página 275*.
4. Encha o depósito de combustível e verifique o nível do óleo. Consulte o capítulo *Verificar o nível do óleo na página 278*.

## Encher o depósito de combustível

Se disponível, utilize gasolina com base em alquilatos/ecológica. Se não estiver disponível gasolina com base em alquilatos/ecológica, utilize gasolina sem chumbo de boa qualidade ou gasolina com chumbo com um índice de octanas de pelo menos 91.



**CUIDADO:** Não utilize gasolina com um índice de octanas inferior a 91 RON. Caso contrário, pode causar danos ao produto.



**CUIDADO:** Substitua o filtro de combustível anualmente ou com maior frequência, se necessário. Está disponível

um novo filtro de combustível no seu distribuidor Husqvarna.



**CUIDADO:** Pare sempre o motor antes de abastecer com combustível.



**CUIDADO:** Não utilize líquidos de arranque pressurizados.

1. Abra a tampa do depósito de combustível devagar para libertar a pressão.
2. Encha lentamente com um recipiente de combustível. Se derramar combustível, retire-o com um pano e deixe o combustível restante secar. (Fig. 33)
3. Limpe bem à volta da tampa do depósito de combustível.
4. Aperte completamente a tampa do depósito de combustível. Se a tampa do depósito de combustível não estiver apertada, existe risco de incêndio.
5. Desloque o produto para uma distância mínima de 3 m (10 pés) da posição onde abasteceu o depósito antes de um arranque.

## Para definir a altura de corte

1. Mova a alavanca da altura de corte para trás para aumentar a altura de corte.
2. Mova a alavanca da altura de corte para a frente para diminuir a altura de corte. (Fig. 34)



**CUIDADO:** Não regule a altura de corte demasiado baixa. As lâminas podem entrar em contacto com o solo se a superfície do relvado não estiver nivelada.

## Para ligar o produto

1. Certifique-se de que o cabo de ignição está ligado à vela de ignição.
2. Mantenha-se atrás do produto.
3. Segure o manípulo de travão do motor contra a barra de direção. (Fig. 35)
4. Segure o punho do cabo de arranque com a mão direita.
5. Puxe lentamente o cabo de arranque até sentir alguma resistência.
6. Puxe com força para fazer arrancar o motor.



**ATENÇÃO:** Não enrole o cabo de arranque na mão.

## Utilizar a transmissão das rodas

- Empurre o manípulo de direção no sentido da barra de direção. (Fig. 36)
- Solte o manípulo de direção para desengatar a transmissão, por exemplo quando se aproximar de um obstáculo.
- Antes de puxar o produto para trás, desengate a transmissão e empurre o produto para a frente aproximadamente 10 cm.

## Para desligar o produto

- Para parar apenas a transmissão, solte o manípulo de direção.
- Para parar o motor solte o manípulo de travão do motor.

## Para obter bons resultados

- Utilize sempre uma lâmina bem afiada. Uma lâmina romba produz um resultado irregular e a superfície de corte da relva fica amarela. Uma lâmina afiada também gasta menos energia que uma lâmina romba.
- Não corte mais do que  $\frac{1}{3}$  do comprimento da relva. Corte primeiro com a altura de corte alta. Examine o resultado e reduza a altura de corte para um nível aplicável. Caso a relva esteja muito comprida, avance lentamente e corte duas vezes, se necessário.
- Corte em diferentes direções de cada vez, para evitar a formação de linhas no relvado.
- Mantenha a cobertura de corte limpa. A acumulação de relva e sujidade no lado interior da cobertura de corte pode diminuir o resultado de corte. Consulte *Para limpar a superfície interior da cobertura de corte na página 277*.

# Manutenção

## Introdução



**ATENÇÃO:** Antes de efetuar a manutenção, tem de ler e compreender o capítulo sobre segurança.

É necessário ter formação especial para realizar qualquer tarefa de manutenção ou reparação. Garantimos a disponibilidade de reparações e manutenção profissionais. Se o seu distribuidor não for uma oficina autorizada, pergunte-lhe onde se situa a oficina autorizada mais próxima.

Para obter informações mais detalhadas, consulte .

## Esquema de manutenção



**CUIDADO:** Quando inclina o produto, certifique-se de que o filtro de ar está virado para cima e não contra o solo. Risco de danos no motor.

Os intervalos de manutenção são calculados a partir da utilização diária do produto. Os intervalos são alterados se o produto não for utilizado diariamente.

Relativamente às tarefas de manutenção identificadas com \*, consulte as instruções em *Dispositivos de segurança no produto na página 273*.

Manutenção	Diariamente	Mensalmente	A cada estação
Efetuar uma inspeção geral	X		
Examinar o nível do óleo	X		
Substituir o óleo (pela primeira vez após 5 horas de utilização e, posteriormente, após cada 50 horas de utilização) <sup>134</sup>			X
Limpar o produto	X		
Examinar o equipamento de corte	X		
Examinar a cobertura de corte*	X		
Examinar o punho do travão do motor *	X		
Examinar o silenciador *		X	

<sup>134</sup> Se o produto for utilizado com carga pesada ou em temperaturas ambiente elevadas, substitua o óleo de motor a cada 25 horas.

Manutenção	Diariamente	Mensalmente	A cada esta- ção
Examine a vela de ignição. Se for necessário, limpe ou substitua a vela de ignição			X
Examinar o filtro de ar	X		
Limpe o filtro de ar <sup>135</sup>		X	
Substitua o filtro de ar			X
Examinar o sistema de combustível			X
Limpe as aletas de arrefecimento do cilindro		X	
Examine e ajuste o cabo da embraiagem (LC 140SP)			X

## Para efetuar uma inspeção geral

- Certifique-se de que todas as porcas e os parafusos do produto estão apertados corretamente.

## Para limpar o produto externamente

- Utilize uma escova para remover folhas, relva e sujidade.
- Certifique-se de que a entrada de ar na parte superior do motor não está bloqueada.
- Não utilize uma máquina de lavar à pressão para limpar o produto.
- Se utilizar água para limpar o produto, não verta água diretamente sobre o motor.

## Para limpar a superfície interior da cobertura de corte

1. Esvazie o depósito de combustível.
2. Incline o produto. Certifique-se de que a vela de ignição aponta para cima.



**CUIDADO:** Se o produto for colocado com o filtro de ar para baixo, o motor pode sofrer danos.

3. Utilize uma mangueira para enxaguar a superfície interna da cobertura de corte com água.

## Para examinar o equipamento de corte



**ATENÇÃO:** Para evitar o arranque acidental retire o cabo de ignição da vela de ignição.



**ATENÇÃO:** Use luvas de proteção quando realizar a manutenção do equipamento de corte. A lâmina é muito afiada e pode facilmente provocar cortes.

1. Examine se o equipamento de corte está danificado ou se apresenta fissuras. Substitua sempre um equipamento de corte danificado.
2. Olhe para a lâmina para verificar se está danificada ou romba.

**Nota:** É necessário estabilizar a lâmina depois de ser afiada. Afie, substitua e estabilize a lâmina numa oficina especializada. Se atingir um obstáculo que faça o produto parar, substitua a lâmina danificada. Um centro de assistência deve avaliar se a lâmina pode ser afiada ou se tem de ser substituída.

## Substituir a lâmina

1. Bloqueie a lâmina com um bloco de madeira. (Fig. 37)
2. Remova o parafuso da lâmina e a arruela de pressão.
3. Retire a lâmina.
4. Examine o suporte e o parafuso da lâmina para verificar se existem danos.
5. Examine o eixo do motor para se certificar de que não se encontra dobrado.
6. Quando colocar a lâmina nova, aponte as extremidades angulares da lâmina na direção da cobertura de corte. (Fig. 38)
7. Certifique-se de que a lâmina está alinhada com a parte central do eixo do motor.
8. Bloqueie a lâmina com um bloco de madeira. Prenda a anilha de pressão e aperte o parafuso e a anilha com um binário de 45–60 Nm. (Fig. 39)
9. Faça rodar a lâmina com a mão de modo a assegurar-se de que roda livremente.



**ATENÇÃO:** Use luvas resistentes. A lâmina é muito afiada e pode facilmente provocar cortes.

<sup>135</sup> Limpe com mais frequência em ambientes poeirentos ou quando existirem resíduos aéreos. Substitua o filtro de ar, se estiver muito sujo.

10. Ligue o produto para testar a lâmina. Se a lâmina não estiver corretamente ligada, o produto vibra ou o resultado de corte não é satisfatório.

## Verificar o nível do óleo



**CUIDADO:** Um nível de óleo demasiado baixo causa danos no motor. Verifique o nível do óleo antes de ligar o produto.

1. Coloque o produto num piso nivelado.
2. Remova a tampa do depósito de óleo e a vareta de nível fixada.
3. Limpe o óleo da vareta de nível.
4. Empurre a vareta de nível totalmente para dentro do depósito de óleo para obter uma indicação correta do nível do óleo. Não coloque a tampa do depósito de óleo.
5. Remova a tampa do depósito de óleo e a vareta de nível fixada.
6. Examine o nível do óleo na vareta de nível.
7. Se o nível do óleo estiver baixo, encha com óleo de motor e verifique novamente o nível do óleo. (Fig. 40)

**Nota:** Utilize um funil para evitar derrames.

8. Instale a tampa do depósito de óleo quando o nível de óleo estiver correto.

## Substituir o óleo de motor



**ATENÇÃO:** O óleo de motor está muito quente imediatamente após desligar o motor. Deixe o motor arrefecer antes de drenar o óleo de motor. Se derramar óleo de motor na pele, limpe com água e sabão.

(Fig. 41)

1. Utilize o produto até esvaziar o depósito de combustível.
2. Remova o cabo de ignição da vela de ignição.
3. Remova a tampa do depósito de óleo e a vareta de nível fixada.
4. Coloque um recipiente por baixo do produto para recolher o óleo de motor.
5. Incline o produto ou drene o óleo de motor do depósito de óleo com uma bomba de óleo (acessório).
6. Encha com óleo de motor novo do tipo recomendado em *Especificações técnicas na página 281*.
7. Verifique o nível do óleo. Consulte *Verificar o nível do óleo na página 278*.

8. Instale a tampa do depósito de óleo quando o nível de óleo estiver correto.

## Limpar o filtro de espuma de plástico



**CUIDADO:** Não ligue o motor sem os filtros de ar. O desgaste do motor aumenta se o ar estiver sujo.

1. Retire a cobertura do filtro de ar (A). (Fig. 42)
2. Retire os filtros de espuma de plástico (B).



**CUIDADO:** Examine os filtros de espuma de plástico quanto a danos ou desgaste. Substitua todos os filtros de espuma de plástico danificados.

3. Limpe os filtros de espuma de plástico com água e sabão.
4. Lave os filtros de espuma de plástico com água limpa.
5. Esprema a água dos filtros de espuma de plástico e deixe secar.



**CUIDADO:** Não utilize ar comprimido. Pode causar danos ao filtro de espuma de plástico.

6. Lubrifique os filtros de espuma de plástico com óleo de motor.
7. Pressione um pano limpo contra o filtro de espuma de plástico para remover óleo indesejado.
8. Instale os filtros de espuma de plástico. Certifique-se de que os filtros de espuma de plástico estão completamente encostados ao suporte do filtro de ar.
9. Instale a cobertura do filtro de ar.

## Verificar a vela de ignição



**CUIDADO:** Utilize sempre o tipo de vela de ignição recomendado. Um tipo de vela de ignição incorreto pode provocar danos no produto.

- Examine a vela de ignição para verificar se o motor apresenta uma potência reduzida ou dificuldades de arranque, ou se não funciona corretamente ao ralenti.
- Para diminuir o risco de materiais indesejados nos elétrodos da vela de ignição, siga estas instruções:
  - a) Assegure-se de que a rotação em vazio está corretamente regulada.
  - b) Certifique-se de que a mistura de combustível está correta.
  - c) Certifique-se de que o filtro de ar está limpo.

- Se a vela de ignição estiver suja, limpe-a e certifique-se de que a distância entre os eletrodos está correta; consulte *Especificações técnicas na página 281*. (Fig. 43)
- Se for necessário, substitua a vela de ignição.

## Para examinar o sistema de combustível

- Examine a tampa do depósito de combustível e o vedante da tampa do depósito de combustível para se certificar de que não existem danos.
- Examine a mangueira de combustível para se certificar de que não existem fugas. Se a mangueira de combustível estiver danificada, deverá ser substituída por uma oficina autorizada.

## Drenar o depósito de combustível

1. Coloque um recipiente por baixo do depósito de combustível.
2. Retire a tampa do depósito de combustível.
3. Empurre os grampos da mangueira de combustível contra o carburador.
4. Retire a mangueira de combustível do carburador.
5. Coloque a mangueira do depósito de combustível no recipiente e retire os grampos da mangueira.
6. Incline o produto e drene o combustível para o recipiente.

## Substituir o filtro de combustível



**ATENÇÃO:** Utilize luvas de proteção.

1. Drene o depósito de combustível.
2. Afaste a abraçadeira de mangueira do depósito de combustível. (Fig. 44)

3. Retire a mangueira de combustível do depósito de combustível. Pode ocorrer uma pequena fuga de combustível. (Fig. 45)
4. Retire o filtro de combustível do depósito de combustível. (Fig. 46)
5. Instale um novo filtro de combustível no depósito de combustível.
6. Fixe a mangueira de combustível ao depósito de combustível.
7. Coloque a abraçadeira de mangueira na devida posição encostada ao depósito de combustível.

## Ajustar o cabo da embraiagem (LC 140SP)

Nas situações que se seguem, é necessário diminuir o comprimento do cabo da embraiagem:

- A transmissão das rodas não é acionada quando puxa o manípulo de direção ou a alavanca de controlo da velocidade.
- O produto desloca-se lentamente quando a transmissão das rodas é acionada.

Nas situações que se seguem, é necessário aumentar o comprimento do cabo da embraiagem:

- O produto desloca-se quando a transmissão das rodas não é acionada.
- Ajuste o cabo da embraiagem.
  - a) Para diminuir o comprimento do cabo da embraiagem, rode o parafuso de ajuste para a esquerda.
  - b) Para aumentar o comprimento do cabo da embraiagem, rode o parafuso de ajuste para a direita. (Fig. 47)

Se continuar insatisfeito com a condução do produto depois do ajuste, contacte o seu revendedor com assistência técnica.

## Resolução de problemas no motor

Problema	Causa possível	Solução
O motor não arranca.	O cabo de ignição não está ligado corretamente.	Ligue o cabo de ignição à vela de ignição.
	O depósito de combustível está vazio.	Encha o depósito de combustível com o tipo de combustível correto.
	O combustível é antigo.	Drene o depósito de combustível e o carburador. Reabasteça com gasolina nova.
	Existe sujidade no carburador ou no tubo de combustível.	Limpe o carburador e/ou o tubo de combustível.
	A vela de ignição está danificada.	Ajuste a distância entre os eletrodos, limpe ou substitua a vela de ignição.
	Existe combustível na vela de ignição.	Limpe a vela de ignição.
O motor não para.	O mecanismo de paragem não funciona corretamente.	Desligue o cabo de ignição da vela de ignição. Solicite a reparação do produto numa oficina autorizada.
O motor não funciona corretamente.	O cabo de ignição não está ligado corretamente.	Ligue o cabo de ignição à vela de ignição.
	Existe sujidade no tubo de combustível ou o período de utilização do combustível expirou.	Limpe o tubo de combustível. Encha o depósito de combustível com combustível novo do tipo correto.
	Existe obstrução na tampa do depósito de combustível.	Limpe a tampa do depósito de combustível.
	Existe água ou sujidade no sistema de combustível.	Drene o depósito de combustível. Encha o depósito de combustível com combustível novo do tipo correto.
	O filtro de ar está sujo.	Limpe o filtro de ar.
	O carburador tem de ser ajustado.	Solicite o ajuste do carburador a um distribuidor com assistência técnica.
O motor fica demasiado quente.	O nível de óleo do motor é demasiado baixo.	Abasteça o óleo de motor.
	O fluxo de ar não é suficiente.	Limpe o filtro de ar e o alojamento do filtro de ar.
	O carburador tem de ser ajustado.	Solicite o ajuste do carburador a um distribuidor com assistência técnica.
Existe uma falha de ignição no motor quando este funciona a alta velocidade.	A distância entre os eletrodos na vela de ignição é demasiado pequena.	Ajuste a distância entre os eletrodos.



Problema	Causa possível	Solução
Ruídos invulgares provenientes do motor com carga normal.	Tipo incorreto de gasolina.	Drene o depósito de combustível e o carburador. Reabasteça com gasolina nova. Consulte <i>Encher o depósito de combustível na página 275</i> . Se o problema persistir, contacte o seu distribuidor com assistência técnica local.
O motor não funciona corretamente ao ralenti.	A vela de ignição está suja, danificada ou a distância entre os elétrodos é demasiado grande.	Ajuste a distância entre os elétrodos ou substitua a vela de ignição.
	O carburador tem de ser ajustado.	Ajuste o carburador.
	O filtro de ar está sujo.	Limpe o filtro de ar.

## Transporte, armazenamento e eliminação

### Transporte e armazenamento

- Para o transporte e armazenamento do produto e do combustível, certifique-se de que não existem fugas ou fumos. Faíscas ou chamas abertas, por exemplo de dispositivos elétricos ou mesmo caldeiras, podem causar um incêndio.
- Utilize recipientes aprovados para o transporte e armazenamento de combustível.
- Esvazie o depósito de combustível antes de armazenar o produto durante um longo período de tempo. Elimine o combustível numa localização de eliminação aplicável
- Fixe o produto de forma segura durante o transporte para evitar danos e acidentes.

- Mantenha o produto numa área trancada para impedir o acesso a crianças ou pessoas que não disponham de aprovação.
- Mantenha o produto num local seco e sem gelo.

### Eliminação

- Respeite os requisitos de reciclagem locais e os regulamentos aplicáveis.
- Elimine todos os produtos químicos, como óleo de motor ou combustível, num centro de assistência ou numa localização de eliminação aplicável.
- Quando o produto deixar de ser utilizado, envie-o para um revendedor Husqvarna ou elimine-o numa localização de reciclagem.

## Especificações técnicas

### Especificações técnicas

	LC 140P	LC 140SP
<b>Motor</b>		
Marca	Husqvarna	Husqvarna
Nome do modelo do motor	HS 123A	HS 123A
Tipo de motor	Monocilíndrico, 4 tempos, refrigeração a ar forçado, OHV	Monocilíndrico, 4 tempos, refrigeração a ar forçado, OHV
Cilindrada, cm <sup>3</sup>	123	123
Rotação, rpm	3000	3000

	LC 140P	LC 140SP
Potência nominal do motor, kW <sup>136</sup>	1,95	1,95
<b>Sistema de ignição</b>		
Vela de ignição	Husqvarna HQT-7	Husqvarna HQT-7
Distância entre os eletrodos, mm	0,7-0,8	0,7-0,8
<b>Sistema de lubrificação e combustível</b>		
Tipo de lubrificação do motor	Salpico	Salpico
Capacidade do depósito de combustível, litros	0,9	0,9
Capacidade do depósito de óleo, litros	0,5	0,5
Óleo do motor <sup>137</sup>	Husqvarna SAE 30, Husqvarna SAE 5W-30 Synthetic, Husqvarna SAE 10W-40	Husqvarna SAE 30, Husqvarna SAE 5W-30 Synthetic, Husqvarna SAE 10W-40
<b>Peso</b>		
Com depósitos vazios, kg	25,2	26,8
<b>Emissões de ruído</b> <sup>138</sup>		
Nível de potência sonora, medido, dB(A)	93	93
Nível de potência sonora, garantido L <sub>WA</sub> dB (A)	94	94
<b>Níveis sonoros</b> <sup>139</sup>		
Nível de pressão sonora junto ao ouvido do utilizador, dB (A)	82	82
<b>Níveis de vibração</b> <sup>140</sup>		
Vibrações na barra de direção, m/s <sup>2</sup>	5,6	7,6
<b>Equipamento de corte</b>		
Altura de corte, mm	25-75	25-75
Largura de corte, mm	400	400
Sistema de corte	Recolha/descarga traseira	Recolha/descarga traseira
Lâminas – padrão	Recolha 5873863-10	Recolha 5873863-10

<sup>136</sup> A potência nominal do motor indicado é a potência líquida média (a um valor de rpm especificado) de um motor de produção típico do modelo de motor avaliado de acordo com a norma J1349/ISO1585 da SAE. Motores produzidos em série poderão divergir deste valor. A potência real do motor instalado no produto final dependerá da velocidade de operação, das condições ambientais e de outros parâmetros.

<sup>137</sup> Utilize um óleo de motor de qualidade API SJ ou superior. Se o óleo SAE-30 for utilizado a uma temperatura inferior a +5 °C, existe o risco de não lubrificar suficientemente o motor. Isto pode provocar danos no motor. Consulte a secção *Substituir o óleo de motor na página 278* para saber qual o óleo correto para temperaturas baixas. Consulte a tabela de viscosidade no manual do motor (se incluído) e selecione a melhor viscosidade com base na temperatura exterior prevista.

<sup>138</sup> Emissões de ruído para as imediações, medidas sob forma de potência sonora (L<sub>WA</sub>) em conformidade com a diretiva da CE 2000/14/CE.

<sup>139</sup> Os dados comunicados relativamente ao nível de pressão de ruído têm uma dispersão estatística típica (desvio padrão) de 1,2 dB (A).

<sup>140</sup> Os dados comunicados relativamente ao nível de vibração têm uma dispersão estatística típica (desvio padrão) de 0,2 m/s<sup>2</sup>.

	LC 140P	LC 140SP
Capacidade do coletor de relva, litros	50	50
<b>Transmissão</b>		
Rotação de autodeslocação, km/h	-	4

# Declaração de conformidade

## Declaração UE de conformidade

A **Husqvarna AB**, SE-561 82 Huskvarna, Suécia,  
tel.: +46-36-146500, declara, sob sua inteira  
responsabilidade, que o produto:

<b>Descrição</b>	Corta-relva
<b>Marca</b>	Husqvarna
<b>Tipo/Modelo</b>	LC 140P, LC 140SP
<b>Identificação</b>	Números de série referentes a 2022 e posteriores

está em plena conformidade com as seguintes diretivas  
e regulamentos da UE:

<b>Regulamento</b>	<b>Descrição</b>
2006/42/CE	"relativa a máquinas"
2014/30/UE	"relativa à compatibilidade eletromagnética"
2000/14/CE	"relativa a emissões de ruído para o ambiente"
2011/65/UE	"relativa à restrição do uso de determinadas substâncias perigosas em equipamento elétrico e eletrônico"

e que as seguintes normas e/ou especificações técnicas  
são aplicadas: EN ISO 5395-1:2013/A1:2018, EN ISO  
5395-2:2013/A1:2016/A2:2017, EN ISO 14982:2009, EN  
IEC 63000:2018

Entidade competente: 0404, RISE SMP Svensk  
Maskinprovning AB, Box 4053, SE-904 03 Umeå,  
Sweden atribuiu a certificação de conformidade com  
a Diretiva 2000/14/CE do Conselho, procedimento de  
avaliação de conformidade: Anexo VI.

Para mais informações sobre as emissões de ruído,  
consulte *Especificações técnicas na página 281*.

Huskvarna, 2022-09-27



Claes Losdal, chefe de desenvolvimento/produtos de  
jardinagem, Husqvarna AB

Responsável pela documentação técnica



---

# CUPRINS

---

Introducere.....	285	Depanarea motorului.....	294
Siguranță.....	286	Transportul, depozitarea și eliminarea.....	295
Asamblarea.....	289	Date tehnice.....	296
Funcționarea.....	290	Declarație de conformitate.....	298
Întreținerea.....	291		

---

## Introducere

---

### Descrierea produsului

Produsul este o mașină rotativă pentru tuns gazonul controlată de un operator-pieton. Iarba se adună într-un colector de iarbă. Demontați colectorul de iarbă pentru a efectua descărcarea ierbii prin partea posterioară a mașinii.

### Prezentarea generală a produsului

(Fig. 1)

1. Mâner/ghidon
2. Manetă de transmisie (LC 140SP)
3. Mâner pentru șnurul de pornire
4. Colectorul de iarbă
5. Rezervor de carburant
6. Filtru de aer
7. Bujie
8. Capac de tăiere
9. Amortizor de zgomot
10. Bușon rezervor de ulei
11. Pârghie pentru înălțimea de tăiere
12. Capac posterior
13. Manetă frână de motor
14. Simboluri
15. Ansamblu mâner inferior
16. Mâner inferior
17. Manualul operatorului
18. Pâlnie pentru ulei

### Simbolurile de pe produs

- (Fig. 2) **AVERTISMENT!** Aveți grijă să utilizați corect produsul. Acest produs poate cauza vătămări corporale grave sau decesul operatorului sau al altor persoane.
- (Fig. 3) Citiți cu atenție manualul operatorului și asigurați-vă că înțelegeți instrucțiunile înainte de utilizare.
- (Fig. 4) Feriți-vă de obiectele proiectate sau care ricoșează.

### Domeniul de utilizare

Utilizați produsul pentru a tăia iarba. Nu utilizați produsul pentru alte sarcini.

- (Fig. 5) Țineți persoanele și animalele la o distanță sigură de zona de lucru.
- (Fig. 6) Avertisment: Feriți-vă mâinile și picioarele de cuțitul rotativ.
- (Fig. 7) Avertisment: Feriți-vă mâinile și picioarele de piesele rotative.
- (Fig. 8) Oprii motorul și scoateți cablul de alimentare a aprinderii înainte de a efectua lucrări de întreținere sau reparații.
- (Fig. 9) Acest produs este în conformitate cu directivele UE aplicabile.
- (Fig. 10) Etichetă privind emisiile de zgomot în mediu, conform directivelor și reglementărilor din UE și Regatul Unit și legislației din New South Wales „Regulamentul privind măsurile de protecție a mediului (controlul zgomotului) din 2017”. Nivelul de putere sonoră garantat al produsului este specificat în *Date tehnice la pagina 296* și pe etichetă.
- (Fig. 11) Acest produs respectă reglementările aplicabile din Regatul Unit.
- (Fig. 12) Pericol de incendiu.
- (Fig. 13) Nu inhalați gazele de eșapament. Gazele de eșapament ale motorului conțin monoxid de carbon, care este un gaz inodor, toxic și deosebit de periculos. Nu porniți motorul în interior sau în spații închise.

(Fig. 14) Suprafață fierbinte.

(Fig. 15) Umpleți motorul cu ulei înainte de a porni produsul.

**Nota:** Alte simboluri/autocolante de pe produs se referă la cerințele de certificare pentru unele zone comerciale.

## Emisiile de Euro V



**AVERTISMENT:** În urma modificării neautorizate a motorului, este anulată aprobarea de tip UE pentru acest produs.

## Siguranță

### Definiții privind siguranța

Avertismentele, atenționările și notele sunt utilizate pentru a desemna părți foarte importante din manual.



**AVERTISMENT:** Se utilizează dacă există risc de vătămare sau de deces pentru operator sau pentru trecători, în cazul în care instrucțiunile din manual nu sunt respectate.



**ATENȚIE:** Se utilizează dacă există un risc de deteriorare a produsului, a altor materiale sau a zonelor învecinate, dacă instrucțiunile din manual nu sunt respectate.

**Nota:** Se utilizează pentru a furniza mai multe informații care sunt necesare într-o situație dată.

### Instrucțiuni generale de siguranță



**AVERTISMENT:** Înainte de a utiliza produsul, citiți instrucțiunile de avertizare de mai jos.

- Acest produs este periculos dacă este utilizat incorect sau dacă nu sunteți atent. Nerespectarea instrucțiunilor de siguranță poate cauza vătămări corporale sau decesul.
- În timpul funcționării, acest produs generează un câmp electromagnetic. În anumite condiții, acest câmp poate interfera cu implanturile medicale active sau pasive. Pentru a reduce riscul de vătămări corporale grave sau mortale, recomandăm persoanelor cu implanturi medicale să consulte medicul și producătorul implantului medical înainte de a utiliza acest produs.

## Deteriorarea produsului

Nu suntem responsabili pentru deteriorarea produsului dacă:

- produsul este reparat necorespunzător.
- produsul este reparat cu piese care nu provin de la producător sau care nu sunt aprobate de acesta.
- produsul are un accesoriu care nu provine de la producător sau care nu este aprobat de acesta.
- produsul nu este reparat la un centru de service omologat sau de o autoritate omologată.

- Procedați întotdeauna cu atenție și folosiți-vă judecata. Dacă nu sunteți sigur cum să utilizați produsul într-o situație specială, opriți-l și adresați-vă distribuitorului Husqvarna înainte de a continua.
- Rețineți că operatorul poartă responsabilitatea privind orice accidente care implică alte persoane sau bunurile lor.
- Păstrați produsul curat. Asigurați-vă că puteți citi clar semnele și autocolantele.
- Nu permiteți niciunei persoane să utilizeze produsul dacă aceasta nu a citit și înțeles conținutul manualului operatorului.
- Nu permiteți copiilor să utilizeze produsul.
- Țineți copiii departe de zona de lucru. Un adult responsabil trebuie să fie prezent în permanență.
- Nu permiteți niciunei persoane care nu cunoaște instrucțiunile să utilizeze produsul.
- Monitorizați permanent o persoană cu capacități fizice sau mintale reduse, care utilizează produsul. Un adult responsabil trebuie să fie prezent în permanență.
- Nu utilizați produsul atunci când sunteți obosit, bolnav sau dacă ați consumat alcool, droguri sau ați luat medicamente. Acestea vă afectează negativ acuitatea vizuală, atenția, coordonarea și judecata.
- Nu folosiți produse deteriorate sau care nu funcționează corect.
- Nu modificați acest produs și nu îl utilizați dacă este posibil să fi fost modificat de către alte persoane.
- Nu modificați setarea controlului turației motorului.

### Siguranța zonei de lucru



**AVERTISMENT:** Înainte de a utiliza produsul, citiți instrucțiunile de avertizare de mai jos.

- Înainte de a utiliza produsul, îndepărtați obiectele precum crengile, rămurelele și pietrele din zona de lucru.
- Obiectele care se lovesc de echipamentul de tăiere pot fi aruncate, provocând vătămări corporale și pagube materiale. Țineți trecătorii și animalele la o distanță sigură de produs.
- Nu utilizați produsul pe vreme rea, de exemplu pe ceață, ploaie, vânt puternic, la temperaturi exterioare foarte scăzute și atunci când există riscul de descărcări electrice. Utilizarea produsului pe vreme nefavorabilă sau pe teren umed sau inundat este obositoare. Vremea nefavorabilă poate conduce la apariția de situații periculoase, de exemplu suprafețe alunecoase.
- Verificați dacă există persoane, obiecte și situații care pot împiedica funcționarea în siguranță a produsului.
- Atenție la obstacole, precum rădăcini, pietre, ramuri, gropi și șanțuri. În iarba înaltă se pot ascunde obstacole.
- Tunderea ierbii pe pante poate fi periculoasă. Nu utilizați produsul pe pante cu înclinație mai mare de 15°.
- Utilizați produsul de-a curmezișul pantei. Nu efectuați mișcări în sus și în jos.
- Procedeți cu atenție atunci când vă apropiați de colțuri ascunse și de obiecte care blochează vederea.

## Siguranța în lucru



**AVERTISMENT:** Înainte de a utiliza produsul, citiți instrucțiunile de avertizare de mai jos.

- Utilizați acest produs numai pentru tunderea gazonului. Nu este permisă utilizarea acestui produs pentru alte lucrări.
- Utilizați echipamentul personal de protecție. Consultați *Echipament de protecție personală la pagina 287*.
- Asigurați-vă că știți cum să opriți rapid motorul în caz de urgență.
- Nu porniți niciodată motorul într-un spațiu închis sau lângă materiale inflamabile. Gazele de eșapament de la motor sunt fierbinți și pot conține scânteii care pot cauza un incendiu.
- Nu utilizați produsul decât dacă au fost montate corect cuțitul și toate capacele. Un cuțit montat incorect se poate slăbi, provocând vătămări corporale.
- Asigurați-vă că lama nu lovește obiecte, precum pietre și rădăcini. Acestea pot deteriora cuțitul și pot îndoii arborele motorului. Un ax îndoit poate genera vibrații puternice și prezintă un risc foarte ridicat de slăbire a cuțitului.
- Dacă lama lovește un obiect sau dacă observați vibrații, opriți produsul imediat. Decuplați cablul de

- alimentare a aprinderii de la bujie. Examinați dacă produsul este deteriorat. Reparați defecțiunile sau solicitați unui agent de service autorizat să le repare.
- Nu fixați niciodată de mâner maneta frânei de motor, în mod permanent, atunci când motorul este pornit.
- Poziționați produsul pe o suprafață stabilă, plană și porniți-l. Asigurați-vă că lama nu atinge solul sau alte obiecte.
- Stați întotdeauna în spatele produsului atunci când îl utilizați.
- Mențineți toate roțile pe sol și țineți ambele mâini pe mâner când utilizați produsul. Feriți-vă mâinile și picioarele de cuțitele rotative.
- Nu înclinați produsul când motorul este pornit.
- Fiți atent atunci când trageți produsul în spate.
- Nu ridicați niciodată produsul când motorul este pornit. Dacă trebuie să ridicați produsul, mai întâi opriți motorul și deconectați cablul de alimentare a aprinderii de la bujie.
- Nu mergeți cu spatele în timp ce utilizați produsul.
- Opriți motorul când traversați zone fără iarbă, de exemplu alei din pițriș, piatră și asfalt.
- Nu alergați cu produsul când motorul este pornit. Întotdeauna mergeți în timp ce utilizați produsul.
- Opriți motorul înainte de a schimba înălțimea de tăiere. Nu efectuați niciodată reglări cu motorul pornit.
- Nu lăsați niciodată produsul să iasă din câmpul vizual cu motorul pornit. Opriți motorul și asigurați-vă că echipamentul de tăiere nu se rotește.

## Instrucțiuni de siguranță pentru utilizare

### Echipament de protecție personală



**AVERTISMENT:** Înainte de a utiliza produsul, citiți instrucțiunile de avertizare de mai jos.

- Echipamentele de protecție personală nu pot elimina complet riscul de rănire, însă pot reduce gravitatea rănilor în cazul unui accident. Distribuitorul vă poate ajuta să alegeți echipamentul corect.
- Utilizați echipament de protecție a auzului dacă nivelul de zgomot este mai mare de 85 dB.
- Utilizați întotdeauna ghete sau pantofi pentru regim greu de lucru, cu rezistență la alunecare. Nu folosiți pantofi decupați și nu operați produsul desculți.
- Utilizați pantaloni lungi, groși.
- Purtați mănuși de protecție atunci când este necesar, de exemplu atunci când conectați, inspectați sau curățați echipamentul de tăiere.

### Dispozitivele de siguranță de pe produs



**AVERTISMENT:** Înainte de a utiliza produsul, citiți instrucțiunile de avertizare de mai jos.

- Nu utilizați un produs cu dispozitive de siguranță care sunt deteriorate sau care nu funcționează corect.
- Verificați regulat dispozitivele de siguranță. În cazul în care dispozitivele de siguranță sunt deteriorate sau nu funcționează corect, adresați-vă Husqvarna agentului de service.
- Nu aduceți modificări dispozitivelor de siguranță.
- Nu porniți produsul dacă motorul prezintă scurgeri. Examinați cu regularitate motorul, pentru a identifica eventuale scurgeri.
- Manipulați cu atenție carburantul. Carburantul este inflamabil, vaporii sunt explozivi și pot cauza vătămări corporale sau deces.
- Nu respirați vaporii de carburant, se pot produce vătămări corporale. Asigurați-vă că fluxul de aer este suficient.

### Verificarea capacului de tăiere

Capacul de tăiere reduce vibrațiile în produs și scade riscul de rănire de la cuțit.

- Examinați capacul de tăiere și asigurați-vă că nu există defecte, precum fisuri.

### Verificarea manetei frânei de motor

Maneta frânei de motor oprește motorul. Când maneta frânei de motor este eliberată, motorul se oprește.

- Porniți motorul, apoi eliberați maneta frânei de motor. Dacă motorul nu se oprește în 3 secunde, solicitați unui agent de service autorizat Husqvarna să regleze frâna de motor. (Fig. 16)

### Amortizor de zgomot

Amortizorul de zgomot este proiectat pentru a reduce la minimum nivelul de zgomot și a dirija gazele de eșapament departe de utilizator.

Nu utilizați produsul dacă amortizorul de zgomot nu este instalat sau este deteriorat. Un amortizor de zgomot deteriorat determină creșterea nivelului de zgomot și a pericolului de incendiu.



**AVERTISMENT:** Amortizorul de zgomot atinge temperaturi înalte în timpul utilizării, imediat după oprire și atunci când motorul funcționează la turația de mers în gol. Procedați cu atenție în apropierea materialelor și/sau gazelor inflamabile pentru a preveni incendiile.

### Reguli de siguranță referitoare la carburant



**AVERTISMENT:** Înainte de a utiliza produsul, citiți instrucțiunile de avertizare de mai jos.

- Nu porniți produsul dacă pe el se află carburant sau ulei pentru motor. Îndepărtați carburantul/uleiul nedorit și lăsați produsul să se usuce.
- Dacă vărsați carburantul pe îmbrăcăminte, schimbați imediat hainele.
- Nu vărsați carburantul pe corp - poate provoca vătămări corporale. Dacă vărsați carburant pe corp, utilizați apă și săpun pentru a elimina carburantul.

- Nu fumați în apropierea carburantului sau a motorului.
- Nu amplasați obiecte calde în apropierea carburantului sau a motorului.
- Nu adăugați carburant atunci când motorul este pornit.
- Asigurați-vă că motorul este rece înainte de a realimenta.
- Înainte de a realimenta, deschideți lent capacul rezervorului de carburant și eliberați cu atenție presiunea.
- Nu adăugați carburant la motor într-o zonă interioară. Un flux de aer insuficient poate cauza vătămare corporală sau deces din cauza asfixierii sau a monoxidului de carbon.
- Strângeți până la capăt capacul rezervorului de carburant. Dacă acesta nu este strâns, există pericol de incendiu.
- Înainte de pornire, mutați produsul la o distanță de minimum 3 m/10 ft față de poziția unde ați umplut rezervorul.
- Nu umpleți complet rezervorul de carburant. Căldura provoacă dilatarea carburantului. Păstrați un gol în partea de sus a rezervorului de carburant.
- Nu depozitați niciodată produsul cu combustibil în rezervor în interiorul unei clădiri unde sunt prezente surse de aprindere, precum boilere fierbinți, sisteme pentru încălzirea incintelor sau uscătoare de haine. Lăsați motorul să se răcească înainte de a depozita aparatul într-un spațiu închis.

### Instrucțiuni de siguranță pentru întreținere



**AVERTISMENT:** Înainte de a utiliza produsul, citiți instrucțiunile de avertizare de mai jos.

- Gazele de eșapament ale motorului conțin monoxid de carbon, care este un gaz inodor, toxic și deosebit de periculos. Nu porniți motorul în interior sau în spații închise.
- Înainte de a efectua întreținerea produsului, opriți motorul și deconectați cablul de alimentare a aprinderii de la bujie.
- Purtați mănuși de protecție când efectuați întreținerea echipamentului de tăiere. Cuțitul este foarte ascuțit și vă puteți tăia foarte ușor.



- Accesoriile și modificările aduse produsului care nu sunt autorizate de către producător pot provoca vătămări corporale grave sau fatale. Nu modificați produsul. Utilizați întotdeauna numai accesorii omologate de producător.
- Dacă întreținerea nu se efectuează corect și periodic, crește pericolul de vătămări corporale și de deteriorare a produsului.
- Efectuați numai operațiile de întreținere care se regăsesc în acest manual al proprietarului. Toate celelalte operații de service trebuie efectuate de către un agent de service autorizat Husqvarna.
- Solicitați unui agent de service autorizat Husqvarna să efectueze în mod regulat operații de service la produs.
- Înlocuiți piesele deteriorate, uzate sau defecte.

---

## Asamblarea

---

### Asamblarea mânerului

1. Împingeți șurubul (A) prin mâner (B), șaiba de plastic (C) și consola de susținere a mânerului (D). (Fig. 17)
2. Strângeți complet piulița (E).
3. Împingeți șurubul (F) prin șaibă (G) și consola de susținere a mânerului.
4. Strângeți complet rozeta (H).
5. Aliniați orificiile din mâner cu orificiile din mânerul inferior și atașați șuruburile, șaibele și rozetele. Strângeți rozetele până la capăt. (Fig. 18)
6. Atașați cablurile la mâner cu ajutorul suporturilor pentru cabluri. (Fig. 19)

---

**Nota:** Asigurați-vă că tensionarea cablurilor nu este exagerată. O tensiune prea înaltă poate cauza deteriorarea cablului dacă mânerul este pliat în poziția pentru transport.

---

7. Puneți cablurile în jurul cârligului din partea inferioară a mânerului. (Fig. 20)

### Reglarea înălțimii mânerului

1. Slăbiți butoanele inferioare. (Fig. 21)
2. Demontați butonul, șaiba și șurubul din partea stângă și din partea dreaptă.
3. Înălțimea mânerului poate fi reglată în 2 poziții diferite. Puneți șurubul în una din cele 2 găuri din partea stângă și din partea dreaptă. (Fig. 22)
4. Montați șuruburile, șaibele și rozetele.
5. Deplasați butoanele în sus în direcția mânerului, până când acestea se opresc și se aude un clic. Strângeți rozetele până la capăt. (Fig. 23)

### Așezați produsul în poziția pentru transport

1. Scoateți colectorul de iarbă.

2. Slăbiți butoanele de pe mânerul superior și pliați mânerul în jos. (Fig. 24)
3. Slăbiți butoanele inferioare.
4. Deplasați butoanele spre capătul inferior al canelurilor de pe partea stângă și de pe partea dreaptă a produsului. (Fig. 25)
5. Pliați mânerul în față. (Fig. 26)

### Așezarea produsului în poziția de funcționare

1. Ridicați mânerul până când mânerul inferior se blochează în poziția de operare. (Fig. 27)
2. Deplasați butoanele în sus în direcția mânerului, până când acestea se opresc și se aude un clic.
3. Strângeți butoanele până la capăt. (Fig. 28)
4. Ridicați partea superioară a mânerului.
5. Strângeți rozetele până la capăt. (Fig. 29)

### Pentru asamblarea colectorului de iarbă

1. Așezați partea superioară a colectorului de iarbă peste partea inferioară a colectorului de iarbă. (Fig. 30)
2. Prindeți cadrul colectorului de iarbă cu ajutorul clemelor. (Fig. 31)
3. Ridicați capacul posterior.
4. Prindeți cârligele de pe colectorul de iarbă de marginea superioară a carcasei. (Fig. 32)
5. Introduceți partea inferioară a colectorului de iarbă în canalul de evacuare a ierbii.

---

# Funcționarea

---

## Introducere



**AVERTISMENT:** Înainte de a utiliza produsul, trebuie să citiți și să înțelegeți capitolul privind siguranța.

## Husqvarna Connect

Husqvarna Connect este o aplicație gratuită pentru dispozitivul dvs. mobil. Aplicația Husqvarna Connect vă oferă funcții extinse pentru produsul dvs. Husqvarna:

- Informații pe larg despre produs.
- Informații despre piese pentru produse și servicii și asistență pentru acestea.

## Pentru a începe să utilizați Husqvarna Connect

1. Descărcați aplicația Husqvarna Connect pe dispozitivul dvs. mobil.
2. Înregistrați-vă în aplicația Husqvarna Connect.
3. Urmați pașii cu instrucțiuni din aplicația Husqvarna Connect pentru a conecta și înregistra produsul.

## Înainte de a utiliza produsul

1. Citiți cu atenție manualul operatorului și asigurați-vă că înțelegeți instrucțiunile.
2. Examinați echipamentul de tăiere și asigurați-vă că este corect montat și reglat. Consultați *Pentru a examina echipamentul de tăiere la pagina 292.*
3. Umpleți rezervorul de carburant. Consultați *Alimentarea cu carburant la pagina 290.*
4. Umpleți rezervorul de ulei și verificați nivelul uleiului. Consultați *Verificarea nivelului de ulei la pagina 293.*

## Alimentarea cu carburant

Dacă aveți la dispoziție, utilizați benzină cu emisii scăzute/carburant alchilat. Dacă benzina cu emisii scăzute/carburantul alchilat nu este disponibil/ă, folosiți benzină fără plumb sau benzină cu plumb de bună calitate, cu o cifră octanică nu mai mică de 91.



**ATENȚIE:** Nu utilizați benzină cu o cifră octanică mai mică de 91 RON. Acest lucru poate deteriora produsul.



**ATENȚIE:** Înlocuiți filtrul de carburant anual sau mai des dacă este necesar. Găsiți filtre noi de carburant la distribuitorul Husqvarna.



**ATENȚIE:** Opriți întotdeauna motorul înainte de alimentarea cu carburant.



**ATENȚIE:** Nu utilizați lichide pentru pornire sub presiune.

1. Deschideți încet capacul rezervorului de carburant, pentru a elibera presiunea.
2. Umpleți încet, cu o canistră de carburant. Dacă vărsați carburant, îndepărtați-l cu o cârpă și lăsați-l să se usuce. (Fig. 33)
3. Curățați suprafața din jurul capacului rezervorului de carburant.
4. Strângeți până la capăt capacul rezervorului de carburant. Dacă acesta nu este strâns, există pericol de incendiu.
5. Înainte de pornire, mutați produsul la o distanță de minimum 3 m/10 ft față de poziția unde ați umplut rezervorul.

## Pentru a seta înălțimea de tăiere

1. Deplasați spre spate pârghia înălțimii de tăiere pentru a mări înălțimea de tăiere.
2. Deplasați înainte pârghia înălțimii de tăiere pentru a reduce înălțimea de tăiere. (Fig. 34)



**ATENȚIE:** Nu setați o înălțime de tăiere prea scăzută. Cuțitele pot atinge solul dacă suprafața gazonului nu este plană.

## Pornirea produsului

1. Cablul de alimentare a aprinderii trebuie să fie conectat la bujie.
2. Stați în spatele produsului.
3. Țineți maneta frânei de motor lipită de mâner. (Fig. 35)
4. Țineți mânerul șnurului de pornire cu mâna dreaptă.
5. Trageți încet de șnurul de pornire până ce simțiți o anumită rezistență.
6. Trageți cu forță pentru a porni motorul.



**AVERTISMENT:** Nu răsuciți cablul de pornire în jurul mâinii.

## Utilizarea transmisiei pe roți

- Împingeți maneta de transmisie în direcția mânerului. (Fig. 36)

- Eliberați maneta de transmisie pentru a dezactiva transmisia, de exemplu atunci când vă apropiați de un obstacol.
- Înainte de a trage produsul în spate, decuplați transmisia și împingeți produsul înainte cu aproximativ 10 cm.

## Pentru a opri produsul

- Pentru a opri doar transmisia, eliberați maneta de transmisie.
- Pentru a opri motorul, eliberați maneta frânei de motor.

## Obținerea rezultatelor bune

- Utilizați întotdeauna o lamă ascuțită. O lamă tocită oferă rezultate neregulate, iar suprafața tăiată a ierbii se îngălbenește. De asemenea, o lamă ascuțită folosește mai puțină energie decât o lamă tocită.

- Nu tăiați niciodată mai mult de  $\frac{1}{3}$  din lungimea ierbii. Inițial, tundeți cu o înălțime mare de tăiere. Verificați rezultatul și coborâți înălțimea de tăiere la un nivel convenabil. Dacă iarba este foarte înaltă, deplasați aparatul încet și tundeți de două ori, dacă este necesar.
- Tăiați de fiecare dată în altă direcție, pentru a preveni formarea de dungi pe gazon.
- Păstrați capacul de tăiere curat. Acumularea de iarbă și murdărie pe partea interioară a capacului de tăiere poate reduce calitatea rezultatului tăierii. Consultați *Pentru a curăța suprafața interioară a capacului de tăiere la pagina 292.*

## Întreținerea

### Introducere



**AVERTISMENT:** Înainte de a efectua orice operații de întreținere, citiți și înțelegeți capitolul privind siguranța.

Toate lucrările de service și de reparații la produs necesită instruire specială. Garantăm disponibilitatea unor lucrări profesioniste de reparații și service. Dacă distribuitorul dvs. nu este agent de service, solicitați acestuia informații cu privire la cel mai apropiat agent de service.

Pentru informații mai detaliate, consultați .

### Program de întreținere



**ATENȚIE:** Asigurați-vă că filtrul de aer este ridicat și nu este lipit de sol când înclinați produsul. Pericol de defectare a motorului.

Intervalele de întreținere sunt calculate având în vedere o utilizare zilnică a produsului. Intervalele se modifică dacă produsul nu este utilizat zilnic.

Pentru operațiunile de întreținere marcate cu \*, consultați instrucțiunile din *Dispozitivele de siguranță de pe produs la pagina 287.*

Întreținerea	Zilnic	Lunar	În fiecare sezon
Efectuați o inspecție generală	X		
Examinați nivelul uleiului	X		
Schimbați uleiul (prima dată după 5 ore de utilizare, apoi la fiecare 50 ore de utilizare) <sup>141</sup>			X
Curățați produsul	X		
Examinați echipamentul de tăiere	X		
Examinați capacul de tăiere *	X		
Examinați maneta frânei de motor *	X		
Examinați amortizorul de zgomot *		X	
Verificați bujia. Curățați sau înlocuiți bujia dacă este necesar			X

<sup>141</sup> Dacă produsul este folosit cu o sarcină mare sau la temperaturi ambiante ridicate, înlocuiți uleiul de motor la fiecare 25 de ore.

Întreținerea	Zilnic	Lunar	În fiecare sezon
Examinați filtrul de aer	X		
Curățați filtrul de aer <sup>142</sup>		X	
Schimbați filtrul de aer			X
Examinați sistemul de alimentare cu carburant			X
Curățați lamelele de răcire de pe cilindru		X	
Examinați și reglați cablul de ambreiaj (LC 140SP)			X

## Pentru a efectua o inspecție generală

- Asigurați-vă că toate șuruburile și piulițele produsului sunt strânse.

## Pentru a curăța produsul la exterior

- Folosiiți o perie pentru a elimina frunzele, iarba și murdăria.
- Asigurați-vă că priza de aer din partea superioară a motorului nu este înfundată.
- Nu utilizați o instalație de spălare cu presiune ridicată pentru a curăța produsul.
- Dacă utilizați apă pentru a curăța produsul, nu stropiți direct către motor.

## Pentru a curăța suprafața interioară a capacului de tăiere

- Goliți rezervorul de carburant.
- Înclinați produsul. Asigurați-vă că bujia este orientată în sus.



**ATENȚIE:** Dacă produsul este așezat cu filtrul de aer în jos, motorul se poate deteriora.

- Spălați cu apă suprafața interioară a capacului de tăiere.

## Pentru a examina echipamentul de tăiere



**AVERTISMENT:** Pentru a preveni pornirea accidentală, decuplați cablul de alimentare a aprinderii de la bujie.



**AVERTISMENT:** Purtați mănuși de protecție când efectuați întreținerea echipamentului de tăiere. Cuțitul este foarte ascuțit și vă puteți tăia foarte ușor.

- Examinați echipamentul de tăiere pentru a identifica eventuale deteriorări sau crăpături. Înlocuiți întotdeauna un echipament de tăiere deteriorat.
- Observați cuțitul pentru a vedea dacă este deteriorat sau tocit.

**Nota:** După ascuțirea cuțitului, acesta trebuie echilibrat. Solicitați unui centru de service să ascuțe, să monteze la loc și să echilibreze cuțitul. Dacă loviți un obstacol care determină produsul să se oprească, înlocuiți cuțitul deteriorat. Solicitați centrului de service să estimeze dacă lama poate fi ascuțită sau trebuie înlocuită.

## Înlocuirea cuțitului

- Blocați cuțitul cu o bucată de lemn. (Fig. 37)
- Scoateți bolțul lamei și șaiba de siguranță.
- Demontați cuțitul.
- Examinați suportul și șurubul cuțitului pentru a vedea dacă există deteriorări.
- Examinați arborele motorului pentru a vă asigura că nu s-a îndoit.
- Când montați un cuțit nou, îndreptați capetele oblice ale cuțitului în direcția capacului de tăiere. (Fig. 38)
- Asigurați-vă de alinierea lamei cu centrul arborelui motorului.
- Blocați cuțitul cu o bucată de lemn. Montați șaiba elastică și strângeți șurubul și șaiba la un cuplu de 45–60 Nm. (Fig. 39)
- Învârtiți cuțitul cu mâna și asigurați-vă că se rotește liber.
- Porniți produsul pentru a efectua un test al cuțitului. Dacă cuțitul nu este prins corect, produsul vibrează sau rezultatele de tăiere sunt nesatisfăcătoare.



**AVERTISMENT:** Purtați mănuși de protecție rezistente. Cuțitul este foarte ascuțit și vă puteți tăia foarte ușor.

<sup>142</sup> Curățați mai des în condiții de praf sau când sunt prezente reziduuri în aer. Înlocuiți filtrul de aer dacă este foarte murdar.

## Verificarea nivelului de ulei



**ATENȚIE:** Un nivel de ulei prea redus poate deteriora motorul. Efectuați o verificare a nivelului de ulei înainte să porniți produsul.

1. Așezați produsul pe teren drept.
2. Scoateți bușonul rezervorului și joja atașată.
3. Curățați joja de ulei.
4. Împingeți complet joja în rezervorul de ulei pentru o înregistrare corectă a nivelului de ulei. Nu fixați bușonul rezervorului de ulei.
5. Scoateți bușonul rezervorului și joja atașată.
6. Examinați nivelul de ulei de pe jojă.
7. Dacă nivelul uleiului este scăzut, completați cu ulei de motor și verificați din nou nivelul. (Fig. 40)

**Nota:** Folosiți o pâlnie pentru a preveni scurgerile.

8. Instalați bușonul rezervorului de ulei când nivelul uleiului este corect.

## Înlocuirea uleiului pentru motor



**AVERTISMENT:** Imediat după oprirea motorului, uleiul de motor este foarte fierbinte. Lăsați motorul să se răcească înainte de a-l goli de ulei. Dacă uleiul de motor intră în contact cu pielea, curățați cu apă și săpun.

(Fig. 41)

1. Utilizați produsul până când rezervorul de carburant se golește.
2. Scoateți cablul de alimentare a aprinderii din bujie.
3. Scoateți bușonul rezervorului și joja atașată.
4. Amplasați sub produs un recipient în care să colectați uleiul de motor.
5. Înclinați produsul sau scurgeți uleiul pentru motor din rezervorul de ulei cu o pompă de ulei (accesoriu).
6. Umpleți cu ulei de motor proaspăt și de tipul recomandat în *Date tehnice la pagina 296*.
7. Verificați nivelul de ulei. Consultați *Verificarea nivelului de ulei la pagina 293*.
8. Instalați bușonul rezervorului de ulei când nivelul uleiului este corect.

## Curățarea filtrului de plastic din spumă



**ATENȚIE:** Nu porniți motorul fără filtrele de aer. Uzura motorului crește dacă aerul este murdar.

1. Îndepărtați capacul filtrului de aer (A). (Fig. 42)

2. Scoateți filtrele de plastic din spumă (B).



**ATENȚIE:** Verificați dacă filtrele de plastic din spumă nu sunt deteriorate sau uzate. Înlocuiți toate filtrele de plastic din spumă deteriorate.

3. Curățați cu apă și săpun filtrele de plastic din spumă.
4. Clătiți cu apă curată filtrele de plastic din spumă.
5. Stoarceți apa din filtre și lăsați-le să se usuce.



**ATENȚIE:** Nu folosiți aer comprimat. Acesta poate deteriora filtrele de plastic din spumă.

6. Ungeți cu ulei de motor filtrele de plastic din spumă.
7. Presați o lavetă curată pe filtrul de plastic din spumă pentru a îndepărta uleiul nedorit.
8. Montați filtrele de plastic din spumă. Asigurați-vă că filtrele de plastic din spumă se etanșează pe suportul filtrului de aer.
9. Montați capacul filtrului de aer.

## Verificarea bujiei



**ATENȚIE:** Folosiți întotdeauna tipul recomandat de bujie. Tipul incorect de bujie poate defecta produsul.

- Verificați bujia dacă motorul nu are putere, nu pornește ușor sau nu funcționează corect la turația de ralanti.
- Pentru a reduce riscul prezenței materialelor nedorite pe electrozii bujiei, respectați aceste instrucțiuni:
  - a) Asigurați-vă că turația de ralanti este reglată corect.
  - b) Asigurați-vă că amestecul de combustibil este corect.
  - c) Asigurați-vă că filtrul de aer este curat.
- Dacă bujia este murdară, curățați-o și asigurați-vă că apărătoarea electrozilor este corespunzătoare, consultați *Date tehnice la pagina 296*. (Fig. 43)
- Înlocuiți bujia atunci când este necesar.

## Pentru a examina sistemul de alimentare cu carburant

- Examinați bușonul rezervorului de carburant și garnitura bușonului rezervorului de carburant pentru a vă asigura că nu există deteriorări.
- Examinați furtunul de carburant pentru a vă asigura că nu există scurgeri. Dacă furtun de carburant este deteriorat, trebuie înlocuit de către un agent de service.

## Golirea rezervorului de combustibil

1. Poziționați un recipient sub rezervorul de combustibil.
2. Scoateți capacul rezervorului de combustibil.
3. Împingeți colierele furtunului de combustibil spre carburator.
4. Scoateți furtunul de combustibil din carburator.
5. Introduceți furtunul rezervorului de combustibil în recipient și scoateți colierele furtunului.
6. Înclinați produsul și goliți combustibilul în recipient.

## Înlocuirea filtrului de carburant



**AVERTISMENT:** Utilizați mănuși de protecție.

1. Goliți rezervorul de carburant.
2. Îndepărtați colierul furtunului de rezervorul de combustibil. (Fig. 44)
3. Scoateți furtunul de combustibil din rezervor. Este posibil să curgă o mică cantitate de carburant. (Fig. 45)
4. Scoateți filtrul de combustibil din rezervor. (Fig. 46)
5. Montați un filtru de combustibil nou în rezervor.
6. Fixați furtunul de combustibil pe rezervor.

7. Fixați colierul furtunului în poziție pe rezervorul de combustibil.

## Reglarea cablului de ambreiaj (LC 140SP)

Pentru situațiile următoare, este necesar să micșorați lungimea cablului de ambreiaj:

- Acționarea roților nu se cuplează când trageți maneta de transmisie sau maneta de control al vitezei.
- Produsul se deplasează lent când acționarea roților este cuplată.

Pentru situațiile următoare, este necesar să prelungiți lungimea cablului de ambreiaj:

- Produsul se deplasează atunci când acționarea roților nu este cuplată.
- Reglați cablul de ambreiaj.
  - a) Pentru a reduce lungimea cablului de ambreiaj, rotiți șurubul de reglare în sens invers acelor de ceasornic.
  - b) Pentru a prelungi lungimea cablului de ambreiaj, rotiți șurubul de reglare în sensul acelor de ceasornic. (Fig. 47)

Dacă produsul continuă să se deplaseze nesatisfăcător după reglare, contactați distribuitorul de service

## Depanarea motorului

Problemă	Cauza posibilă	Soluție
Motorul nu pornește.	Cablul de alimentare a aprinderii nu este conectat corect.	Conectați cablul de alimentare a aprinderii la bujie.
	Rezervorul de carburant este gol.	Umpleți rezervorul de carburant cu tipul corect de carburant.
	Combustibilul este vechi.	Scurgeți rezervorul de carburant și carburatorul. Realimentați cu benzină nouă.
	Există murdărie în carburator sau în conducta de carburant.	Curățați carburatorul și/sau conducta de carburant.
	Bujia este deteriorată.	Reglați apărătoarea electrozudului, curățați sau schimbați bujia.
	Există combustibil pe bujie.	Curățați bujia.
Motorul nu se oprește.	Mecanismul de oprire nu funcționează corect.	Decuplați cablul de alimentare a aprinderii de la bujie. Repararea produsului trebuie efectuată de către un agent de service autorizat.

Problemă	Cauza posibilă	Soluție
Motorul nu funcționează uniform.	Cablul de alimentare a aprinderii nu este conectat corect.	Conectați cablul de alimentare a aprinderii la bujie.
	Există mizerie în conducta de carburant sau carburantul a expirat.	Curățați conducta de carburant. Umpleți rezervorul de carburant cu carburant nou de tipul corect.
	Există un blocaj al capacului rezervorului de carburant.	Curățați capacul rezervorului de carburant.
	Există apă sau murdărie în sistemul de alimentare cu carburant.	Goliți rezervorul de carburant. Umpleți rezervorul de carburant cu carburant nou de tipul corect.
	Filtrul de aer este murdar.	Curățați filtrul de aer.
	Carburatorul trebuie reglat.	Lăsați un distribuitor de service să regleze carburatorul.
Motorul devine prea fierbinte.	Nivelul de ulei de motor este prea scăzut.	Umpleți cu ulei de motor.
	Debitul de aer nu este suficient.	Curățați filtrul de aer și carcasa filtrului de aer.
	Carburatorul trebuie reglat.	Lăsați un distribuitor de service să regleze carburatorul.
Există rateuri de combustie în timpul funcționării la viteză mare.	Distanța dintre electrozi din bujie este prea mică.	Reglați distanța dintre electrozi.
Zgomote neobișnuite de la motor în timpul operării cu sarcină normală.	Tip incorect de benzină.	Scurgeți rezervorul de carburant și carburatorul. Realimentați cu benzină nouă. Consultați <i>Alimentarea cu carburant la pagina 290</i> . Dacă problema persistă, discutați cu reprezentantul de service local.
Motorul nu funcționează lin la turaj de mers în gol.	Bujia este murdară, defectă sau distanța dintre electrozi este prea mare.	Reglați apărătoria electrozului sau schimbați bujia.
	Carburatorul trebuie reglat.	Reglați carburatorul.
	Filtrul de aer este murdar.	Curățați filtrul de aer.

## Transportul, depozitarea și eliminarea

### Transportul și depozitarea

- Pentru depozitarea și transportul produsului și a carburantului, asigurați-vă că nu există scurgeri și gaze. Scânteele sau flăcările deschise, de exemplu cele provenite de la dispozitive sau boilere electrice, pot cauza un incendiu.
- Utilizați întotdeauna recipiente omologate pentru depozitarea și transportarea combustibilului.
- Goliți rezervorul de carburant și depozitați produsul pentru o perioadă lungă de timp. Eliminați carburantul într-o locație de eliminare autorizată

- Fixați în siguranță produsul în timpul transportului pentru a preveni daunele și accidentele.
- Păstrați produsul într-o zonă restricționată pentru a preveni accesul copiilor sau al persoanelor neautorizate.
- Păstrați produsul într-un spațiu uscat și ferit de îngheț.

### Dezafectarea

- Respectați cerințele de reciclare și reglementările locale aplicabile.

- Eliminați toate substanțele chimice, precum uleiul de motor sau carburantul, la un centru de service sau într-o locație de eliminare autorizată.
- Atunci când produsul nu mai este în uz, trimiteți-l la un distribuitor Husqvarna sau casați-l într-o locație de reciclare.

## Date tehnice

### Date tehnice

	LC 140P	LC 140SP
<b>Motor</b>		
Marcă	Husqvarna	Husqvarna
Numele modelului de motor	HS 123A	HS 123A
Tip de motor	Cu un cilindru, în 4 timpi, răcire forțată cu aer, OHV	Cu un cilindru, în 4 timpi, răcire forțată cu aer, OHV
Cilindree, cm <sup>3</sup>	123	123
Turație, rpm	3000	3000
Putere nominală motor, kW <sup>143</sup>	1,95	1,95
<b>Sistem de aprindere</b>		
Bujie	Husqvarna HQT-7	Husqvarna HQT-7
Spațiu electrod, mm	0,7-0,8	0,7-0,8
<b>Carburant și sistem de lubrifiere</b>		
Tip de lubrifiere a motorului	Stropire	Stropire
Capacitate rezervor de carburant, litri	0,9	0,9
Capacitate rezervor de ulei, litri	0,5	0,5
Ulei pentru motor <sup>144</sup>	Husqvarna SAE 30, Husqvarna SAE 5W-30 Synthetic, Husqvarna SAE 10W-40	Husqvarna SAE 30, Husqvarna SAE 5W-30 Synthetic, Husqvarna SAE 10W-40
<b>Greutate</b>		
Cu rezervoare goale, kg	25,2	26,8
<b>Emisii de zgomot<sup>145</sup></b>		
Nivel de putere a zgomotului, măsurat, dB(A)	93	93
Nivel de putere acustică, garantat L <sub>WA</sub> dB(A)	94	94

<sup>143</sup> Puterea nominală indicată a motorului este puterea de ieșire medie netă (la turația specificată) a unui motor de producție normal pentru modelul de motor, măsurată conform standardului SAE J1349/ISO1585. Motoarele de producție în masă pot prezenta valori diferite de acestea. Puterea efectivă pentru motorul instalat pe produsul final va depinde de viteza de funcționare, de condițiile de mediu și de alte valori.

<sup>144</sup> Utilizați ulei pentru motor de calitatea API SJ sau alta superioară. Dacă se folosește ulei SAE-30 la temperaturi mai joase de +5 °C, există riscul să nu lubrificeze suficient motorul. Acest lucru poate cauza deteriorarea motorului. Consultați *Înlocuirea uleiului pentru motor la pagina 293* pentru uleiul corect pentru temperaturi scăzute. Consultați diagrama de vâscozitate din manualul motorului (dacă este inclusă) și selectați vâscozitatea optimă pe baza temperaturii exterioare preconizate.

<sup>145</sup> Emisiile de zgomot în mediu măsurate ca putere acustică (L<sub>WA</sub>) în conformitate cu directiva CE 2000/14/CE.



	LC 140P	LC 140SP
<b>Niveluri de zgomot</b> <sup>146</sup>		
Nivel de presiune acustică la urechea operatorului, dB(A)	82	82
<b>Niveluri de vibrații</b> <sup>147</sup>		
Vibrații în mâner, m/s <sup>2</sup>	5,6	7,6
<b>Accesoriu de tăiere</b>		
Înălțime de tăiere, mm	25-75	25-75
Lățime de tăiere, mm	400	400
Sistem de tăiere	Colectare/descărcare prin spate	Colectare/descărcare prin spate
Discuri - standard	Colectare 5873863-10	Colectare 5873863-10
Capacitate colector de iarbă, litri	50	50
<b>Viteza</b>		
Viteză de deplasare independentă, km/h	–	4

<sup>146</sup> Datele raportate pentru nivelul presiunii zgomotului prezintă o dispersie statistică tipică (abatere standard) de 1,2 dB(A).

<sup>147</sup> Datele raportate pentru nivelul de vibrații prezintă o dispersie statistică tipică (abatere standard) de 0,2 m/s<sup>2</sup>.

# Declarație de conformitate

## Declarație de conformitate UE

Noi, **Husqvarna AB**, SE-561 82 Huskvarna, Suedia, tel.: +46-36-146500, declarăm pe propria răspundere, că produsul:

<b>Descriere</b>	Mașină de tuns gazonul
<b>Marcă</b>	Husqvarna
<b>Tip/Model</b>	LC 140P, LC 140SP
<b>Identificare</b>	Numerele de serie începând cu 2022

respectă în totalitate următoarele directive și reglementări UE:

<b>Reglementare</b>	<b>Descriere</b>
2006/42/CE	„privind utilajele”
2014/30/UE	„aferentă compatibilității electromagnetice”
2000/14/CE	„privind emisiile de zgomot în mediul înconjurător”
2011/65/UE	„privind restricțiile de utilizare a anumitor substanțe periculoase în echipamentele electrice și electronice”

și că au fost aplicate următoarele standarde și/sau specificații tehnice: EN ISO 5395-1:2013/A1:2018, EN ISO 5395-2:2013/A1:2016/A2:2017, EN ISO 14982:2009, EN IEC 63000:2018

Organismul notificat: 0404, RISE SMP Svensk Maskinprovning AB, Box 4053, SE-904 03 Umeå, Sweden a certificat conformitatea cu directiva 2000/14/CE a consiliului, procedura de evaluare a conformității: Anexa VI.

Pentru informații privind emisiile de zgomot, consultați *Date tehnice la pagina 296.*

Huskvarna, 2022-09-27



Claes Losdal, Director de Dezvoltare / Produse de grădinarit, Husqvarna AB

Responsabil pentru documentația tehnică



---

## Содержание

---

Введение.....	299	Поиск и устранение неисправностей двигателя.....	309
Безопасность.....	300	Транспортировка, хранение и утилизация.....	310
Сборка.....	304	Технические данные.....	311
Эксплуатация.....	304	Декларация о соответствии.....	313
Техническое обслуживание.....	306		

---

## Введение

---

### Описание изделия

Изделие представляет собой пешеходную роторную газонокосилку. Трава собирается в травосборник. Снимите травосборник, чтобы трава отбрасывалась назад.

### Обзор изделия

(Рис. 1)

1. Рукоятка
2. Петля привода (LC 140SP)
3. Ручка шнура стартера
4. Травосборник
5. Топливный бак
6. Воздушный фильтр
7. Свеча зажигания
8. Режущая дека
9. Глушитель
10. Крышка топливного бака
11. Рычаг регулировки высоты стрижки
12. Задняя крышка
13. Рукоятка тормоза двигателя
14. Условные обозначения
15. Узел нижней рукоятки
16. Нижняя рукоятка
17. Руководство по эксплуатации
18. Топливная воронка

### Символы на изделии

(Рис. 2) **ПРЕДУПРЕЖДЕНИЕ!** Соблюдайте осторожность и правила эксплуатации изделия. Изделие может стать причиной тяжелой травмы или смерти оператора и окружающих.

(Рис. 3) Перед началом работы внимательно прочитайте руководство по эксплуатации и убедитесь, что понимаете приведенные в нем инструкции.

(Рис. 4) Берегитесь отскакивающих предметов и рикошетов.

### Назначение

Используйте изделие для стрижки травы. Запрещается использовать изделие для других видов работ.

(Рис. 5) Следите за тем, чтобы в зоне проведения работ не было людей и животных.

(Рис. 6) Предупреждение. Держите руки и ноги на безопасном расстоянии от вращающегося ножа.

(Рис. 7) Предупреждение. Не подносите руки и ноги к вращающимся частям.

(Рис. 8) Остановите двигатель и отсоедините кабель зажигания, прежде чем приступать к ремонту или техобслуживанию.

(Рис. 9) Данное изделие отвечает требованиям соответствующих директив ЕС.

(Рис. 10) Табличка с уровнем эмиссии шума в окружающую среду в соответствии с директивами и нормативами Европейского союза, Великобритании и законодательством Нового Южного Уэльса "Регламент 2017 года по защите окружающей среды (контроль уровня шума)". Гарантированный уровень звуковой мощности изделия указан в *Технические данные на стр. 311* и на табличке.

(Рис. 11) Данное изделие соответствует действующим директивам Великобритании.

(Рис. 12) Опасность возгорания.

(Рис. 13) Не вдыхайте выхлопные газы. Выхлопные газы из двигателя содержат монооксид углерода — не имеющий запаха, токсичный и чрезвычайно опасный газ. Запрещается запускать двигатель в помещении или в замкнутых пространствах.

(Рис. 14) Горячая поверхность.

(Рис. 15) Перед запуском изделия залейте в двигатель масло.

---

**Примечание:** Остальные символы/наклейки на изделии отвечают требованиям, предъявляемым к сертификации в других коммерческих зонах.

---

## Соответствие уровня токсичных выбросов стандарту Euro V

---



**ПРЕДУПРЕЖДЕНИЕ:** В случае вмешательства в работу двигателя данное изделие перестанет соответствовать нормативам ЕС.

---

---

## Безопасность

---

### Инструкции по технике безопасности

Предупреждения, предостережения и примечания используются для выделения особо важных пунктов руководства.



**ПРЕДУПРЕЖДЕНИЕ:** Используется, когда несоблюдение инструкций руководства может привести к травмам или смерти оператора или находящихся рядом посторонних лиц.

---



**ВНИМАНИЕ:** Используется, когда несоблюдение инструкций руководства может привести к повреждению изделия, других материалов или прилегающей территории.

---

**Примечание:** Используется для предоставления дополнительных сведений о конкретной ситуации.

---

### Повреждение изделия

Мы не несем ответственности за повреждение изделия в следующих случаях:

- ненадлежащий ремонт изделия;
- использование для ремонта изделия неоригинальных деталей или деталей, не одобренных производителем;
- использование неоригинальных дополнительных принадлежностей или принадлежностей, не одобренных производителем;
- ремонт изделия в неавторизованном сервисном центре или неквалифицированным специалистом.

### Общие инструкции по технике безопасности



**ПРЕДУПРЕЖДЕНИЕ:** В обязательном порядке прочитайте следующие инструкции по технике безопасности, прежде чем приступить к эксплуатации изделия.

---

- При небрежном или неправильном обращении изделие может представлять собой опасность. Несоблюдение инструкций по технике безопасности может привести к травмам или смерти.
- Во время работы данное изделие создает электромагнитное поле. В определенных обстоятельствах это поле может создавать помехи для пассивных и активных медицинских имплантатов. В целях снижения риска серьезной или смертельной травмы лицам с медицинскими имплантатами рекомендуется проконсультироваться с врачом и изготовителем имплантата, прежде чем приступить к эксплуатации данного изделия.
- Всегда соблюдайте осторожность и руководствуйтесь здравым смыслом. Если вы не уверены, как правильно эксплуатировать изделие в определенной ситуации, прекратите работу

и проконсультируйтесь с дилером Husqvarna, прежде чем продолжать.

- Помните: ответственность за несчастные случаи, угрожающие другим людям или их имуществу, несет оператор изделия.
- Содержите изделие в чистоте. Следите за тем, чтобы знаки и наклейки были легко читаемыми.
- Не разрешайте пользоваться изделием людям, не убедившись сначала в том, что они прочитали и поняли содержание руководства по эксплуатации.
- Не позволяйте детям использовать изделие.
- Не допускайте детей в рабочую зону. Они должны постоянно находиться под присмотром взрослого.
- Не допускайте к работе с изделием людей, которые не знакомы с данными инструкциями.
- Не оставляйте без присмотра людей с физическими или умственными нарушениями, использующих изделие. Они должны постоянно находиться под присмотром взрослого.
- Ни в коем случае не используйте изделие, если вы устали, больны или находитесь под воздействием алкоголя, наркотических веществ или лекарственных препаратов. Это может повлиять на ваше зрение, реакцию, координацию или оценку действительности.
- Не используйте изделие, если оно повреждено или работает неправильно.
- Запрещается вносить изменения в изделие или использовать его, если вы подозреваете, что конструкция была модифицирована.
- Не изменяйте настройку системы управления частотой вращения двигателя.

## Техника безопасности на рабочем месте



**ПРЕДУПРЕЖДЕНИЕ:** В обязательном порядке прочитайте следующие инструкции по технике безопасности, прежде чем приступать к эксплуатации изделия.

- Уберите ветви, сучья, камни и прочие посторонние предметы из рабочей зоны перед началом эксплуатации изделия.
- Предметы, ударяющиеся о режущий инструмент, могут быть отброшены, что приведет к травмам или повреждению имущества. Следите за тем, чтобы посторонние лица и животные находились на безопасном расстоянии от изделия.
- Ни в коем случае не используйте изделие при неблагоприятных погодных условиях, например, в туман, дождь, при сильном ветре, низких температурах и риске удара молнии. Эксплуатация изделия при плохих погодных условиях или на сырых участках утомительна. Плохие погодные условия могут создавать

опасные условия для работы, например, скользкие поверхности.

- Следите за возможным появлением посторонних лиц, предметов или условий, которые могут препятствовать безопасной эксплуатации изделия.
- Следите за возможным появлением препятствий, таких как корни, камни, сучья, ямы или рвы. Высокая трава может скрывать препятствия.
- Стрижка травы на склоне может представлять опасность. Запрещается использовать изделие на участках с уклоном более 15°.
- Используйте изделие поперек поверхности склона. Не передвигайтесь вверх и вниз по поверхности склона.
- Проявляйте особую осторожность при приближении к скрытым из видимости поворотам или предметам, которые могут затруднять обзор.

## Техника безопасности



**ПРЕДУПРЕЖДЕНИЕ:** В обязательном порядке прочитайте следующие инструкции по технике безопасности, прежде чем приступать к эксплуатации изделия.

- Изделие предназначено исключительно для скашивания травы на газонах. Запрещается использовать изделие не по назначению.
- Пользуйтесь средствами индивидуальной защиты. См. раздел *Средства индивидуальной защиты на стр. 302*.
- Убедитесь, что вы знаете, как быстро остановить двигатель в аварийной ситуации.
- Запрещается запускать двигатель в закрытом помещении или вблизи легковоспламеняющихся материалов. Выхлопные газы двигателя имеют высокую температуру и могут содержать искры, которые в свою очередь могут привести к пожару.
- Ни в коем случае не используйте изделие с отсутствующими или неправильно установленными кожухами или ножом. Неправильно установленный нож может высвободиться и причинить травму.
- Следите за тем, чтобы в нож не попали посторонние предметы, например, камни и корни. Это может затупить нож и привести к искривлению вала двигателя. При сгибании оси увеличивается уровень вибрации, что может привести к снижению надежности крепления ножа.
- В случае столкновения ножа с посторонним предметом или возникновения вибрации незамедлительно остановите изделие. Отсоедините кабель от свечи зажигания. Проверьте изделие на наличие повреждений. Выполните ремонт повреждений или обратитесь в авторизованный сервисный центр для выполнения ремонта.

- Запрещается на постоянной основе фиксировать рукоятку тормоза двигателя при работающем двигателе.
- При запуске изделие должно находиться на устойчивой, ровной поверхности. Убедитесь, что нож не касается грунта или любого другого предмета.
- При работе с изделием всегда стойте сзади.
- При работе с изделием все колеса должны стоять на земле; держите рукоятку обеими руками. Не приближайте руки или ноги к вращающимся ножам.
- Запрещается наклонять изделие при работающем двигателе.
- Соблюдайте осторожность, когда тянете изделие назад.
- Запрещается поднимать изделие при работающем двигателе. Если вам необходимо поднять изделие, сначала остановите двигатель и отсоедините кабель от свечи зажигания.
- Запрещается двигаться назад при работе с изделием.
- Останавливайте двигатель, когда пересекаете непокрытые травой зоны, например, дорожки из гравия, камня или асфальта.
- Запрещается бегать с изделием при работающем двигателе. Работайте с изделием в спокойном темпе.
- Выключайте двигатель, прежде чем изменить высоту стрижки. Ни в коем случае не выполняйте регулировку при работающем двигателе.
- Ни в коем случае не выпускайте изделие из вида при работающем двигателе. Остановите двигатель и убедитесь, что режущее оборудование не вращается.

- При необходимости надевайте защитные перчатки, например, при закреплении, проверке или очистке режущего оборудования.

## Защитные устройства на изделии



**ПРЕДУПРЕЖДЕНИЕ:** В обязательном порядке прочитайте следующие инструкции по технике безопасности, прежде чем приступить к эксплуатации изделия.

- Не используйте изделие, если защитные устройства повреждены или работают неправильно.
- Регулярно выполняйте проверку защитных устройств. Если защитные устройства повреждены или работают неправильно, обратитесь в сервисный центр Husqvarna.
- Запрещается вносить изменения в защитные устройства.

### Проверка режущей деки

Режущая дека снижает уровень вибрации изделия и риск травмирования ножом.

- Проверьте режущую деку и убедитесь, что на ней отсутствуют повреждения, такие как трещины.

### Проверка рукоятки тормоза двигателя

Рукоятка тормоза двигателя предназначена для остановки двигателя. При отпускании рукоятки тормоза двигатель останавливается.

- Запустите двигатель и отпустите рукоятку тормоза двигателя. Если двигатель не остановится через 3 секунды, обратитесь в авторизованный сервисный центр Husqvarna для регулировки тормоза двигателя. (Рис. 16)

### Глушитель

Глушитель предназначен для максимального снижения уровня шума и отвода выхлопных газов в сторону от оператора.

Запрещается использовать изделие, если глушитель поврежден или отсутствует. Повреждение глушителя приводит к повышению уровня шума и риску возгорания.



## ПРЕДУПРЕЖДЕНИЕ:

Глушитель сильно нагревается в ходе работы и остается горячим после окончания работы, а также во время работы двигателя на холостых оборотах. Во избежание возгорания соблюдайте осторожность при работе вблизи легковоспламеняющихся материалов и/или паров.

## Инструкции по безопасности во время эксплуатации

### Средства индивидуальной защиты



**ПРЕДУПРЕЖДЕНИЕ:** В обязательном порядке прочитайте следующие инструкции по технике безопасности, прежде чем приступить к эксплуатации изделия.

- Средства индивидуальной защиты не могут полностью исключить риск получения травмы, но при несчастном случае они снижают тяжесть травмы. За помощью по правильному выбору оборудования обращайтесь к дилеру.
- Если уровень шума превышает 85 дБ, следует использовать защитные наушники.
- Используйте прочные, противоскользящие ботинки. Запрещается надевать открытую обувь или работать босиком.
- Надевайте прочные длинные брюки.

## Техника безопасности при работе с топливом



**ПРЕДУПРЕЖДЕНИЕ:** В обязательном порядке прочитайте следующие инструкции по технике безопасности, прежде чем приступать к эксплуатации изделия.

- Запрещается запускать изделие, если на него попало топливо или моторное масло. Удалите следы топлива/масла и дайте изделию высохнуть
- Если топливо попало на одежду, немедленно смените ее.
- Не допускайте попадания топлива на тело, это может нанести вред здоровью. При попадании топлива на тело смойте его водой с мылом.
- Запрещается запускать изделие при наличии утечки из двигателя. Регулярно проверяйте двигатель на наличие утечек.
- Соблюдайте осторожность при обращении с топливом. Топливо является легковоспламеняющейся жидкостью со взрывоопасными парами и может привести к травмам или смерти.
- Не вдыхайте пары топлива, т. к. это может нанести вред здоровью. Убедитесь в наличии достаточного потока воздуха.
- Запрещается курить вблизи топлива или двигателя.
- Не размещайте теплые предметы рядом с топливом или двигателем.
- Запрещается доливать топливо во время работы двигателя.
- Прежде чем заправлять изделие подождите, пока двигатель полностью остынет.
- Перед заправкой топлива медленно откройте крышку топливного бака и осторожно сбросьте давление.
- Запрещается заливать топливо в двигатель в помещении. Недостаточная вентиляция может привести к травме или смерти в результате удушья или отравления угарным газом.
- Полностью затяните крышку топливного бака. Если крышка топливного бака не затянута, возникает риск возгорания.
- Переместите изделие минимум на 3 м (10 футов) от места заправки топливом, прежде чем запустить его.
- Никогда не заправляйте топливный бак до краев. Тепло приводит к расширению топлива. Оставьте место в верхней части топливного бака.

- Никогда не храните изделие с топливом в топливном баке в помещении, где присутствуют источники возгорания, такие как водонагреватели, обогреватели или сушилки для одежды. Дайте двигателю остынуть перед помещением его на хранение в какой-либо корпус.

## Инструкции по технике безопасности во время технического обслуживания



**ПРЕДУПРЕЖДЕНИЕ:** В обязательном порядке прочитайте следующие инструкции по технике безопасности, прежде чем приступать к эксплуатации изделия.

- Выхлопные газы из двигателя содержат окись углерода — не имеющий запаха, токсичный и чрезвычайно опасный газ. Запрещается запускать двигатель в помещении или в замкнутых пространствах.
- Прежде чем приступить к техобслуживанию изделия, остановите двигатель и отсоедините кабель от свечи зажигания.
- Надевайте защитные перчатки при техобслуживании режущего оборудования. Нож очень острый, что при неосторожном обращении может легко привести к порезам.
- Использование принадлежностей или внесение изменений в конструкцию изделия, не одобренных производителем, может привести к серьезным или смертельным травмам. Запрещается вносить изменения в конструкцию изделия. Пользуйтесь только рекомендованными производителем принадлежностями.
- При несоблюдении правил и сроков выполнения техобслуживания риск получения травмы или повреждения изделия возрастает.
- Выполняйте техобслуживание строго в соответствии с инструкциями, приведенными в руководстве по эксплуатации. Все прочие виды сервисного обслуживания должны проводиться в авторизованном сервисном центре Husqvarna.
- Регулярно обращайтесь в авторизованный сервисный центр Husqvarna для проведения техобслуживания изделия.
- Замените поврежденные, сломанные или изношенные детали.

---

## Сборка

---

### Сборка рукоятки

1. Вставьте винт (А) в рукоятку (В), пластмассовую шайбу (С) и опорный кронштейн рукоятки (D). (Рис. 17)
2. Полностью затяните гайку (Е).
3. Вставьте винт (F) в шайбу (G) и опорный кронштейн рукоятки.
4. Полностью затяните ручку (H).
5. Совместите отверстия на рукоятке с отверстиями на нижней рукоятке и установите винты, шайбы и ручки. Надежно затяните ручки. (Рис. 18)
6. Закрепите кабели на рукоятке с помощью держателей. (Рис. 19)

**Примечание:** Убедитесь, что кабели не натянуты слишком сильно. Если кабель натянут слишком сильно, он может быть поврежден при складывании рукоятки в положение для транспортировки.

7. Проложите кабели вокруг крюка в нижней части рукоятки. (Рис. 20)

### Регулировка высоты рукоятки

1. Ослабьте нижние ручки. (Рис. 21)
2. Снимите ручку, шайбу и винт с левой и с правой стороны.
3. Существует 2 положения высоты рукоятки. Установите винт в одно из 2 отверстий с левой и с правой стороны. (Рис. 22)
4. Установите винты, шайбы и ручки.
5. Переместите ручки вверх в направлении рукоятки до упора. Вы должны услышать щелчок. Надежно затяните ручки. (Рис. 23)

### Установка изделия в положение для транспортировки

1. Снимите травосборник.
2. Ослабьте ручки на верхней рукоятке и сложите рукоятку. (Рис. 24)
3. Ослабьте нижние ручки.
4. Переместите ручки в нижние положения в пазах с левой и правой стороны изделия. (Рис. 25)
5. Сложите рукоятку вперед. (Рис. 26)

### Установка изделия в рабочее положение

1. Поднимайте рукоятку, пока нижняя рукоятка не зафиксируется в рабочем положении. (Рис. 27)
2. Переместите регуляторы вверх в направлении ручки до упора. Вы должны услышать щелчок.
3. Надежно затяните ручки. (Рис. 28)
4. Поднимите верхнюю часть рукоятки.
5. Надежно затяните ручки. (Рис. 29)

### Установка травосборника

1. Установите верхнюю часть травосборника на его нижнюю часть. (Рис. 30)
2. Зафиксируйте раму травосборника зажимами. (Рис. 31)
3. Поднимите заднюю крышку.
4. Установите захваты травосборника на верхний край шасси. (Рис. 32)
5. Поместите нижнюю часть травосборника в канал для выброса травы.

---

## Эксплуатация

---

### Введение



**ПРЕДУПРЕЖДЕНИЕ:** Перед эксплуатацией прибора необходимо внимательно изучить раздел безопасности.

- Сведения о деталях и помощь в техническом обслуживании.

### Как начать использовать Husqvarna Connect

1. Загрузите приложение Husqvarna Connect на свое мобильное устройство.
2. Зарегистрируйтесь в приложении Husqvarna Connect.
3. Выполните пошаговые инструкции в приложении Husqvarna Connect для подключения и регистрации изделия.

### Husqvarna Connect

Husqvarna Connect представляет собой бесплатное приложение для мобильного устройства. Приложение Husqvarna Connect позволяет пользоваться расширенными функциями вашего изделия Husqvarna:

- Дополнительная информация об изделии.



## Перед началом эксплуатации изделия

1. Внимательно прочитайте руководство по эксплуатации и убедитесь, что понимаете приведенные здесь инструкции.
2. Осмотрите режущее оборудование и убедитесь, что оно правильно закреплено и отрегулировано. См. раздел *Проверка режущего оборудования на стр. 307*.
3. Заполните топливный бак. См. раздел *Заправка топливом на стр. 305*.
4. Заполните масляный бак и проверьте уровень масла. См. раздел *Проверка уровня масла на стр. 307*.

## Заправка топливом

Используйте обеспечивающий низкий уровень выбросов бензин / алкилатный бензин при наличии. При отсутствии обеспечивающего низкий уровень выбросов бензина / алкилатного бензина используйте качественный неэтилированный или этилированный бензин с октановым числом не ниже 91.



**ВНИМАНИЕ:** Запрещено использовать бензин с ОЧИ меньше 91. Это может привести к повреждению изделия.



**ВНИМАНИЕ:** Выполняйте замену топливного фильтра раз в год или чаще, если это необходимо. Новый топливный фильтр можно приобрести у дилера Husqvarna.



**ВНИМАНИЕ:** В обязательном порядке останавливайте двигатель перед заправкой изделия топливом.



**ВНИМАНИЕ:** Не используйте пусковые жидкости под давлением.

1. Медленно откройте крышку топливного бака, чтобы сбавить давление.
2. Медленно залейте топливо из канистры. Если вы пролили топливо, вытрите его тряпкой и дайте оставшемуся топливу высохнуть. (Рис. 33)
3. Очистите поверхность вокруг крышки топливного бака.
4. Полностью затяните крышку топливного бака. Если крышка топливного бака не затянута, возникает риск возгорания.

5. Переместите изделие минимум на 3 м (10 футов) от места заправки топливом, прежде чем запустить его.

## Регулировка высоты стрижки

1. Переведите рычаг регулировки высоты стрижки назад, чтобы увеличить высоту стрижки.
2. Переведите рычаг регулировки высоты стрижки вперед, чтобы уменьшить высоту стрижки. (Рис. 34)



**ВНИМАНИЕ:** Не устанавливайте высоту стрижки слишком низко. Ножи могут удариться о землю, если поверхность газона неровная.

## Запуск изделия

1. Убедитесь, что кабель подсоединен к свече зажигания.
2. Стойте сзади изделия.
3. Прижмите рукоятку тормоза двигателя к рукоятке. (Рис. 35)
4. Держите ручку шнура стартера правой рукой.
5. Медленно потяните за шнур стартера, пока не почувствуете некоторое сопротивление.
6. Резко потяните трос, чтобы завести двигатель.



**ПРЕДУПРЕЖДЕНИЕ:** Не накручивайте шнур стартера вокруг руки.

## Использование привода колес

- Потяните петлю привода в направлении рукоятки. (Рис. 36)
- Отпустите петлю привода, чтобы отключить привод, например, при приближении к препятствию.
- Прежде чем потянуть изделие назад, отключите привод и толкните изделие вперед примерно на 10 см.

## Остановка изделия

- Для того чтобы остановить только привод, отпустите петлю привода.
- Для того чтобы остановить двигатель, отпустите рукоятку тормоза двигателя.

## Достижение оптимальных результатов

- Всегда пользуйтесь хорошо заточенным ножом. Затупившийся нож будет стричь траву неровно, и в месте среза трава будет желтеть. При использовании острого ножа также затрачивается меньше энергии, чем при работе с затупившимся ножом.

- Не срезайте более  $\frac{1}{3}$  всей длины травы. Выполните первую стрижку на большей высоте. Проверьте полученный результат и уменьшите высоту стрижки до необходимого уровня. Если трава высокая, передвигайте газонокосилку медленно и, при необходимости, используйте газонокосилку 2 раза.
- Если вы хотите избежать образования полос на вашем газоне, следует каждый раз стричь его в разных направлениях.
- Следите за чистотой режущей деки. Скопление травы и грязи на внутренней стороне режущей деки может привести к ухудшению качества кошения. См. раздел *Очистка внутренней поверхности режущей деки на стр. 307.*

## Техническое обслуживание

### Вводная информация



**ПРЕДУПРЕЖДЕНИЕ:** Перед выполнением техобслуживания необходимо внимательно изучить и понять информацию в раздел по технике безопасности.

Для выполнения любых работ по сервисному обслуживанию и ремонту изделия необходимо пройти специальное обучение. Мы гарантируем доступность услуг по профессиональному ремонту и сервисному обслуживанию. Если ваш дилер не предоставляет услуги сервисного обслуживания, обратитесь к нему для получения информации о ближайшем сервисном центре.

Дополнительную информацию см. в разделе .

### График технического обслуживания



**ВНИМАНИЕ:** При наклоне изделия следите за тем, чтобы воздушный фильтр был сверху, а не был обращен в сторону земли. Это может привести к повреждению двигателя.

График технического обслуживания рассчитан исходя из ежедневного использования изделия. Если изделие не используется ежедневно, интервалы техобслуживания изменятся.

Сведения о техническом обслуживании, отмеченном знаком \*, см. в инструкциях в разделе *Защитные устройства на изделии на стр. 302.*

Техническое обслуживание	Ежедневно	Ежемесячно	Каждый сезон
Выполните общий осмотр	X		
Проверьте уровень масла	X		
Замените масло (первый раз через 5 часов использования, затем через каждые 50 часов использования) <sup>148</sup>			X
Очистите изделие	X		
Проверьте режущее оборудование	X		
Проверьте режущую деку *	X		
Проверьте рукоятку тормоза двигателя *	X		
Проверьте глушитель *		X	
Проверьте свечу зажигания. Очистите или замените свечу зажигания при необходимости			X
Проверьте воздушный фильтр	X		
Очистите воздушный фильтр <sup>149</sup>		X	

<sup>148</sup> Если изделие эксплуатируется с большой нагрузкой или при высокой температуре окружающей среды, заменяйте моторное масло каждые 25 часов.

<sup>149</sup> В пыльных условиях или при наличии загрязнений в воздухе проводите очистку щаче. Замените воздушный фильтр, если он сильно загрязнен.

Техническое обслуживание	Ежедневно	Ежемесячно	Каждый сезон
Замените воздушный фильтр			X
Проверьте топливную систему			X
Очистите охлаждающие ребра цилиндра		X	
Осмотрите и отрегулируйте трос сцепления (LC 140SP)			X

## Выполнение общего осмотра

- Проверьте затяжку гаек и винтов на изделии.

## Очистка изделия снаружи

- Используйте щетку для удаления листьев, травы и грязи.
- Убедитесь, что воздухозаборник в верхней части двигателя не заблокирован.
- Не используйте моечный агрегат высокого давления для чистки устройства.
- Если вы используете воду для очистки изделия, не допускайте попадания воды непосредственно на двигатель.

## Очистка внутренней поверхности режущей деки

1. Опорожните топливный бак.
2. Наклоните изделие. Убедитесь, что свеча зажигания направлена вверх.



**ВНИМАНИЕ:** Если положить изделие так, что воздушный фильтр будет направлен вниз, можно повредить двигатель.

3. Промойте водой из шланга внутренние поверхности режущей деки.

## Проверка режущего оборудования



**ПРЕДУПРЕЖДЕНИЕ:** Во избежание непреднамеренного запуска отсоедините кабель от свечи зажигания.



**ПРЕДУПРЕЖДЕНИЕ:** Надевайте защитные перчатки при техобслуживании режущего оборудования. Нож очень острый, что при неосторожном обращении может легко привести к порезам.

1. Проверьте режущее оборудование на наличие повреждений или трещин. Всегда заменяйте поврежденное режущее оборудование.
2. Осмотрите нож на наличие повреждений или следов рутупления.

**Примечание:** После заточки ножа необходимо выполнить его балансировку. Обратитесь в сервисный центр для выполнения заточки, замены и балансировки ножа. При столкновении с препятствием, которое привело в остановке изделия, замените поврежденный нож. Сервисный центр должен определить, следует ли заточить нож или лучше его заменить.

## Замена ножа

1. Заблокируйте нож деревянным бруском. (Рис. 37)
2. Снимите болт ножа и пружинную шайбу.
3. Снимите нож.
4. Проверьте опору и болт ножа на наличие повреждений.
5. Проверьте вал двигателя на наличие деформации.
6. При установке нового ножа находящиеся под углом края должны быть обращены в направлении кожуха режущего оборудования. (Рис. 38)
7. Убедитесь, что нож совмещен с центром вала двигателя.
8. Заблокируйте нож деревянным бруском. Установите пружинную шайбу и затяните болт с шайбой моментом 45–60 Н·м. (Рис. 39)
9. Проверните нож рукой и убедитесь, что он свободно вращается.



**ПРЕДУПРЕЖДЕНИЕ:** Используйте прочные защитные перчатки. Нож очень острый, и при неосторожном обращении он может легко привести к порезам.

10. Запустите изделие, чтобы проверить работу ножа. Если нож установлен неправильно, вы ощутите вибрацию изделия или результат кошения будет неудовлетворительным.

## Проверка уровня масла



**ВНИМАНИЕ:** Слишком низкий уровень масла может привести к повреждениям двигателя. Проверьте уровень масла перед запуском изделия.

1. Расположите изделие на ровной поверхности.
2. Снимите крышку масляного бака вместе с щупом.
3. Очистите щуп от масла.
4. Поместите щуп полностью в масляный бак, чтобы получить достоверную информацию об уровне масла. Не устанавливайте крышку масляного бака.
5. Снимите крышку масляного бака вместе с щупом.
6. Проверьте уровень масла на щупе.
7. Если уровень масла низкий, долейте моторное масло и проверьте уровень масла еще раз. (Рис. 40)

**Примечание:** Используйте воронку для предотвращения проливания.

8. Установите крышку масляного бака, когда уровень масла будет соответствовать норме.

## Замена моторного масла



**ПРЕДУПРЕЖДЕНИЕ:** Сразу после остановки двигателя моторное масло очень горячее. Дайте двигателю остыть, прежде чем сливать моторное масло. При попадании моторного масла на кожу смойте его мылом и водой.

(Рис. 41)

1. Запустите изделие и дождитесь, когда топливо в баке будет полностью израсходовано.
2. Отсоедините провод от свечи зажигания.
3. Снимите крышку масляного бака вместе с щупом.
4. Поместите емкость под изделие для сбора моторного масла.
5. Наклоните изделие или слейте моторное масло из масляного бака с помощью масляного насоса (принадлежность).
6. Залейте новое моторное масло; используйте тип масла, рекомендованный в *Технические данные на стр. 311*.
7. Проверьте уровень моторного масла. См. раздел *Проверка уровня масла на стр. 307*.
8. Установите крышку масляного бака, когда уровень масла будет соответствовать норме.

## Очистка пенопластового фильтра



**ВНИМАНИЕ:** Если воздушные фильтры не установлены, запуск двигателя запрещен. При загрязнении воздуха увеличивается износ двигателя.

1. Снимите крышку воздушного фильтра (А). (Рис. 42)

2. Снимите пенопластовые фильтры (В).



**ВНИМАНИЕ:** Осмотрите пенопластовые фильтры на наличие повреждений или износа. Замените все поврежденные пенопластовые фильтры.

3. Очистите пенопластовые фильтры с помощью мыла и воды.
4. Промойте пенопластовые фильтры чистой водой.
5. Выжмите воду из пенопластовых фильтров и дайте им высохнуть.



**ВНИМАНИЕ:** Не используйте сжатый воздух. Это может привести к повреждению пенопластового фильтра.

6. Смажьте пенопластовые фильтры моторным маслом.
7. Прижмите чистую ткань к пенопластовому фильтру, чтобы удалить излишки масла.
8. Установите пенопластовые фильтры. Убедитесь, что пенопластовые фильтры плотно посажены на место.
9. Установите крышку воздушного фильтра.

## Проверка свечи зажигания



**ВНИМАНИЕ:** Всегда используйте свечи зажигания только рекомендованного типа. Использование свечи зажигания неправильного типа может привести к повреждению изделия.

- Проверьте свечу зажигания, если двигатель не набирает обороты, с трудом запускается или плохо работает на холостых оборотах.
- Чтобы уменьшить риск появления нежелательного материала на электродах свечи зажигания, соблюдайте следующие инструкции:
  - a) Проверьте правильность регулировки оборотов холостого хода.
  - b) Убедитесь, что используется надлежащая топливная смесь.
  - c) Убедитесь, что воздушный фильтр чистый.
- Если свеча зажигания загрязнена, очистите ее и проверьте зазор между электродами, см. раздел *Технические данные на стр. 311*. (Рис. 43)
- При необходимости замените свечу зажигания.

## Проверка топливной системы

- Проверьте крышку топливного бака и уплотнение крышки топливного бака на наличие повреждений.

- Проверьте топливный шланг на наличие утечек. Если топливный шланг поврежден, обратитесь в сервисный центр для его замены.

## Слив топлива из топливного бака

1. Установите емкость под топливный бак.
2. Снимите крышку топливного бака.
3. Прижмите хомуты на топливном шланге к карбюратору.
4. Отсоедините топливный шланг от карбюратора.
5. Опустите шланг топливного бака в емкость и снимите хомуты.
6. Наклоните изделие и слейте топливо в емкость.

## Замена топливного фильтра



**ПРЕДУПРЕЖДЕНИЕ:**  
Используйте защитные перчатки.

1. Слейте топливо из топливного бака.
2. Отодвиньте хомут шланга от топливного бака. (Рис. 44)
3. Отсоедините топливный шланг от топливного бака. Возможна утечка небольшого количества топлива. (Рис. 45)
4. Извлеките топливный фильтр из топливного бака. (Рис. 46)
5. Установите новый топливный фильтр в топливный бак.

6. Подсоедините топливный шланг к топливному баку.
7. Сдвиньте хомут шланга к топливному баку.

## Регулировка троса сцепления (LC 140SP)

В следующих ситуациях необходимо уменьшить длину троса сцепления:

- Привод колес не включается при вытягивании петли привода или использовании рычага управления скоростью.
- При включении привода колес изделие движется медленно.

В следующих ситуациях необходимо увеличить длину троса сцепления:

- Изделие движется, когда привод колес не включен.
- Регулировка троса сцепления.
  - a) Чтобы уменьшить длину троса сцепления, поверните регулировочный винт против часовой стрелки.
  - b) Чтобы увеличить длину троса сцепления, поверните регулировочный винт по часовой стрелке. (Рис. 47)

Если после регулировки изделие по-прежнему движется ненадлежащим образом, обратитесь к дилеру по обслуживанию

## Поиск и устранение неисправностей двигателя

Проблема	Возможная причина	Решение
Двигатель не запускается.	Кабель зажигания подсоединен неправильно.	Подсоедините кабель зажигания к свече зажигания.
	Топливный бак пуст.	Заполните топливный бак подходящим топливом.
	Старое топливо.	Слейте топливо из бака и карбюратора. Заправьте свежим бензином.
	Грязь в карбюраторе или топливопроводе.	Очистите карбюратор и/или топливопровод.
	Свеча зажигания повреждена.	Отрегулируйте зазор между электродами, очистите или замените свечу зажигания.
	Топливо попало на свечу зажигания.	Очистите свечу зажигания.
Двигатель не останавливается.	Механизм останова работает неправильно.	Отсоедините кабель от свечи зажигания. Обратитесь в авторизованный сервисный центр для выполнения ремонта изделия.

Проблема	Возможная причина	Решение
Двигатель работает рывками.	Кабель зажигания подсоединен неправильно.	Подсоедините кабель зажигания к свече зажигания.
	В топливопроводе присутствует грязь, или топливо просрочено.	Очистите топливопровод. Залейте в топливный бак новое топливо подходящего типа.
	Крышка топливного бака засорена.	Очистите крышку топливного бака.
	В топливной системе присутствует вода или грязь.	Слейте топливо из топливного бака. Залейте в топливный бак новое топливо подходящего типа.
	Воздушный фильтр загрязнен.	Очистите воздушный фильтр.
	Необходимо отрегулировать карбюратор.	Обратитесь в сервисный центр для выполнения регулировки карбюратора.
Двигатель перегревается.	Слишком низкий уровень моторного масла.	Залейте моторное масло.
	Недостаточный поток воздуха.	Очистите воздушный фильтр и корпус воздушного фильтра.
	Необходимо отрегулировать карбюратор.	Обратитесь в сервисный центр для выполнения регулировки карбюратора.
При работе на высокой скорости в двигателе возникают пропуски зажигания.	Зазор между электродами свечи зажигания слишком маленький.	Отрегулируйте зазор между электродами.
Необычные шумы двигателя при нормальной нагрузке.	Неправильный тип бензина.	Слейте топливо из бака и карбюратора. Заправьте свежим бензином. См. раздел <i>Заправка топливом на стр. 305</i> . Если не удастся устранить неисправность, обратитесь в местный сервисный центр.
Некорректная работа двигателя на холостых оборотах.	Свеча зажигания загрязнена, повреждена, или зазор между электродами слишком большой.	Отрегулируйте зазор между электродами или замените свечу зажигания.
	Необходимо отрегулировать карбюратор.	Отрегулируйте карбюратор.
	Воздушный фильтр загрязнен.	Очистите воздушный фильтр.

## Транспортировка, хранение и утилизация

### Транспортировка и хранение

- Перед помещением на хранение и транспортировкой изделия и топлива убедитесь в отсутствии утечек или испарения топлива. Искры или источники открытого огня, например, от электрических устройств или котлов, могут привести к пожару.
- Всегда используйте рекомендованные контейнеры для хранения и транспортировки топлива.
- Перед помещением изделия на длительное хранение опорожните топливный бак. Утилизируйте топливо в специально предназначенном для этого месте

- Надежно закрепите изделие на время транспортировки для предотвращения повреждений или аварий.
- Храните изделие в запортом помещении для предотвращения доступа к изделию детей или посторонних лиц.
- Храните изделие в сухом и защищенном от низких температур месте.
- Утилизируйте все химические вещества, такие как моторное масло или топливо, в сервисном центре или в специально предназначенном для этого месте.
- Если изделие больше не эксплуатируется, отправьте его дилеру Husqvarna или утилизируйте в пункте переработки.

## Утилизация

- Соблюдайте местное законодательство и действующие нормы в области переработки.

---

## Технические данные

---

### Технические данные

	LC 140P	LC 140SP
<b>Двигатель</b>		
Марка	Husqvarna	Husqvarna
Название модели двигателя	HS 123A	HS 123A
Тип двигателя	Одноцилиндровый, 4-тактный, с принудительным воздушным охлаждением, OHV	Одноцилиндровый, 4-тактный, с принудительным воздушным охлаждением, OHV
Рабочий объем, см <sup>3</sup>	123	123
Частота вращения, об/мин	3000	3000
Номинальная мощность двигателя, кВт <sup>150</sup>	1,95	1,95
<b>Система зажигания</b>		
Свеча зажигания	Husqvarna HQT-7	Husqvarna HQT-7
Зазор между электродами, мм	0,7–0,8	0,7–0,8
<b>Топливная система и система смазки</b>		
Тип смазки двигателя	Разбрызгивание	Разбрызгивание
Емкость топливного бака, л	0,9	0,9
Емкость масляного бака, л	0,5	0,5

<sup>150</sup> Указанная номинальная мощность двигателя — это средняя полезная мощность типичного серийного двигателя при указанной частоте вращения (об/мин) для определенной модели двигателя, измеренная в соответствии со стандартом SAE J1349/ISO1585. Показатели двигателей массового производства могут отличаться от этого значения. Фактическая выходная мощность двигателя, установленного на определенном изделии, зависит от рабочей скорости, условий окружающей среды и других параметров.

	LC 140P	LC 140SP
Моторное масло <sup>151</sup>	Husqvarna SAE 30, Husqvarna SAE 5W-30 Synthetic, Husqvarna SAE 10W-40	Husqvarna SAE 30, Husqvarna SAE 5W-30 Synthetic, Husqvarna SAE 10W-40
<b>Вес</b>		
С пустыми баками, кг	25,2	26,8
<b>Излучение шума</b> <sup>152</sup>		
Уровень мощности звука, измеренный, дБ (А)	93	93
Уровень мощности звука, гарантированный, L <sub>WA</sub> , дБ(А)	94	94
<b>Уровни шума</b> <sup>153</sup>		
Уровень звукового давления, воздействующего на органы слуха оператора, дБ(А)	82	82
<b>Уровни вибрации</b> <sup>154</sup>		
Вибрации на рукоятке, м/с <sup>2</sup>	5,6	7,6
<b>Режущее оборудование</b>		
Высота кошения, мм	25–75	25–75
Ширина кошения, мм	400	400
Режущая система	Сбор / задний выброс	Сбор / задний выброс
Ножи - стандартные	Collection 5873863-10	Collection 5873863-10
Емкость травосборника, л	50	50
<b>Привод</b>		
Скорость самостоятельного хода, км/ч	–	4

<sup>151</sup> Используйте моторное масло качества API SJ или выше. Если при температуре ниже +5 °C используется масло SAE-30, существует риск того, что смазка двигателя будет недостаточной. Это может привести к повреждению двигателя. Информация о масле, подходящем для использования при низких температурах, приведена в разделе *Замена моторного масла на стр. 308* Изучите таблицу вязкости в руководстве по эксплуатации двигателя (при наличии) и выберите оптимальное значение в соответствии с ожидаемой температурой окружающей среды.

<sup>152</sup> Излучение шума в окружающую среду измеряется как мощность звука (L<sub>WA</sub>) согласно директиве ЕС 2000/14/ЕС.

<sup>153</sup> Указанные данные об уровне шумового давления имеют типичный статистический разброс (стандартное отклонение) 1,2 дБ(А).

<sup>154</sup> Указанные данные об уровне вибрации имеют типичный статистический разброс (стандартное отклонение) 0,2 м/с<sup>2</sup>.



# Декларация о соответствии

## Декларация соответствия требованиям ЕС

Мы, компания **Husqvarna AB**, SE-561 82  
Husqvarna, Швеция, тел.: +46-36-146500, с полной  
ответственностью заявляем, что изделие:

<b>Описание</b>	Газонокосилка
<b>Марка</b>	Husqvarna
<b>Тип / Модель</b>	LC 140P, LC 140SP
<b>Идентификация</b>	Серийные номера начиная с 2022 года и далее

полностью соответствует следующим директивам и  
нормативам ЕС:

<b>Норматив</b>	<b>Описание</b>
2006/42/ЕС	"О механическом оборудовании"
2014/30/EU	"Об электромагнитной совместимости"
2000/14/ЕС	"Об излучении шума в окружающую среду"
2011/65/EU	"Об ограничении использования определенных опасных веществ в электрическом и электронном оборудовании"

а также требованиям следующих стандартов и/или  
технических регламентов: EN ISO 5395-1:2013/  
A1:2018, EN ISO 5395-2:2013/A1:2016/A2:2017, EN  
ISO 14982:2009, EN IEC 63000:2018

141400, Московская обл., Г. Химки, ул. Ленинградская,  
владение 39, строение 6, здание II этаж 4,  
помещение OB02\_04,  
телефон горячей линии 8-800-200-1689

Уполномоченная организация: 0404, RISE SMP  
Svensk Maskinprovning AB, Box 4053, SE-904  
03 Umeå, Sweden подтвердила соответствие  
Директиве Совета ЕС 2000/14/ЕС, процедура оценки  
соответствия: Приложение VI.

Информацию по излучению шума см. в разделе  
*Технические данные на стр. 311.*

Husqvarna, 2022-09-27



Клаес Лосдал (Claes Losdal), директор отдела  
разработок/садовая техника, Husqvarna AB

Ответственный за техническую документацию



---

## Obsah

---

Úvod.....	314	Riešenie problémov s motorom.....	323
Bezpečnosť.....	315	Preprava, skladovanie a likvidácia.....	324
Montáž.....	318	Technické údaje.....	324
Prevádzka.....	318	Vyhlásenie o zhode.....	327
Údržba.....	320		

---

## Úvod

---

### Popis výrobku

Tento výrobok je rotačná kosačka na trávu s chodiacou obsluhou. Tráva sa zhromažďuje do zberného koša. Na vyprázdenie trávy zo zadnej časti odstráňte zberný kôš.

### Prehľad výrobku

(Obr. 1)

1. Držadlo/rukoväť
2. Páka pohonu (LC 140SP)
3. Rukoväť štartovacieho lanka
4. Zberný kôš
5. Palivová nádrž
6. Vzduchový filter
7. Zapaľovacia sviečka
8. Kryt rezacej časti
9. Tlmič výfuku
10. Uzáver nádrže na olej
11. Páka výšky rezu
12. Zadný kryt
13. Rukoväť motorovej brzdy
14. Symboly
15. Zostava spodnej rukoväti
16. Spodná rukoväť
17. Návod na obsluhu
18. Lievik na olej

### Symboly na výrobku

- (Obr. 2) **UPOZORNENIE!** Postupujte opatrne a používajte výrobok správnym spôsobom. Tento výrobok môže spôsobiť vážne poranenie alebo usmrtenie obsluhujúceho pracovníka alebo iných osôb.
- (Obr. 3) Skôr než začnete stroj používať, pozorne si prečítajte návod na obsluhu a presvedčíte sa, že ste porozumeli jeho obsahu.
- (Obr. 4) Dávajte pozor na vymrštené predmety a spätné nárazy.

### Plánované použitie

Produkt používajte na kosenie trávy. Výrobok nepoužívajte na iné účely.

- (Obr. 5) Dbajte na to, aby osoby a zvieratá nevstupovali do pracovnej oblasti.
- (Obr. 6) Upozornenie: Udržiavajte ruky a chodidlá mimo dosahu rotujúceho noža.
- (Obr. 7) Upozornenie: Udržiavajte ruky a chodidlá mimo dosahu rotujúcich častí.
- (Obr. 8) Pred vykonávaním opráv a údržby vypnite motor a odpojte kábel zapaľovania.
- (Obr. 9) Tento výrobok je v súlade s príslušnými smernicami EÚ.
- (Obr. 10) Označenie týkajúce sa emisie hluku do okolia podľa smerníc a nariadení EÚ a UK a legislatívy v štáte New South Wales „Protection of the Environment Operations (Noise Control) Regulation 2017“ (Nariadenie o ochrane životného prostredia pri prevádzke (kontrola hluku) z roku 2017). Zaručená hladina akustického výkonu výrobku je uvedená v dokumente *Technické údaje na strane 324* a na štítku.
- (Obr. 11) Tento výrobok je v súlade s príslušnými právnymi predpismi Spojeného kráľovstva.
- (Obr. 12) Hrozí nebezpečenstvo požiaru.
- (Obr. 13) Nevdychujte výfukové plyny. Výfukové plyny z motora obsahujú oxid uhoľnatý, plyn bez zápachu, ktorý je jedovatý a veľmi nebezpečný. Motor neštartujte v interiéri ani v uzavretých priestoroch.

(Obr. 14) Horúci povrch.

(Obr. 15) Pred štartovaním výrobku naplňte motor olejom.

**Poznámka:** Ostatné symboly/emblémy na výrobku odkazujú na požiadavky certifikácie pre niektoré komerčné oblasti.

## Emisie Euro V



**VÝSTRAHA:** Nepovolená manipulácia s motorom ruší platnosť typového schválenia tohto výrobku pre EÚ.

## Poškodenie výrobku

Nie sme zodpovední za škody na našom výrobku v prípade:

- nesprávne vykonanej opravy výrobku,
- opravy výrobku, pri ktorej neboli použité diely od výrobcu alebo diely schválené výrobcom,
- používania príslušenstva od iného výrobcu alebo príslušenstva, ktoré nie je schválené výrobcom,
- opravy výrobku, ktoré neboli vykonané v schválenom servisnom stredisku alebo schválenými kompetentnými osobami.

## Bezpečnosť

### Bezpečnostné definície

Výstrahy, upozornenia a poznámky slúžia na zdôraznenie mimoriadne dôležitých častí návodu.



**VÝSTRAHA:** Používa sa, ak pre obsluhu alebo osoby v okolí existuje nebezpečenstvo poranenia alebo smrti v prípade nedodržania pokynov v návode.



**VAROVANIE:** Používa sa, ak hrozí nebezpečenstvo poškodenia produktu, iných materiálov alebo okolitej oblasti v prípade nedodržania pokynov v návode.

**Poznámka:** Používa sa na poskytnutie informácií nad rámec nevyhnutných informácií v danej situácii.

### Všeobecné bezpečnostné pokyny



**VÝSTRAHA:** Skôr než budete výrobok používať, prečítajte si nasledujúce výstrahy.

- Tento výrobok je nebezpečný, ak sa nepoužíva správne alebo ak nie ste pri jeho používaní opatrní. V prípade nedodržania bezpečnostných pokynov hrozí poranenie alebo usmrtenie.
- Tento výrobok vytvára počas prevádzky elektromagnetické pole. Toto pole môže za určitých okolností spôsobovať rušenie aktívnych alebo pasívnych implantovaných zdravotníckych pomôcok. Na zníženie rizika vážneho alebo smrteľného zranenia odporúčame, aby sa osoby s implantovanými pomôckami poradili so svojim lekárom a výrobcom pomôcky ešte pred použitím tohto výrobku.

- Vždy zachovávajte opatrnosť a riaďte sa zdravým úsudkom. Ak si v určitých situáciách nie ste istí, ako máte výrobok používať, výrobok nepoužívajte a pred pokračovaním v práci sa poraďte s predajcom spoločnosti Husqvarna.
- Nezabudnite, že operátor bude zodpovedný za nehody zahŕňajúce iné osoby alebo ich majetok.
- Výrobok udržiavajte čistý. Symboly a emblémy musia byť čitateľné.
- Nedovoľte, aby výrobok používali iné osoby, pokiaľ sa neustíže, že si prečítali tento návod na obsluhu a porozumeli jeho obsahu.
- Nedovoľte, aby výrobok používali deti.
- Deti držte v bezpečnej vzdialenosti od pracovnej oblasti. Vyžaduje sa neustála prítomnosť zodpovednej dospeléj osoby.
- Nedovoľte, aby výrobok používali osoby, ktoré nepoznajú potrebné pokyny.
- Osoby so zníženými fyzickými alebo duševnými schopnosťami musia byť počas používania výrobku vždy pod dozorom. Vyžaduje sa neustála prítomnosť zodpovednej dospeléj osoby.
- Výrobok nepoužívajte, ak ste unavení, chorí alebo ste pod vplyvom alkoholu, drog alebo liekov. Vyššie uvedené prípady majú negatívny vplyv na váš zrak, ostražitosť, koordináciu a úsudok.
- Nepoužívajte výrobok, ktorý je poškodený alebo nefunguje správne.
- Výrobok žiadnym spôsobom neupravujte ani nepoužívajte, ak existuje možnosť, že bol upravený inými osobami.
- Nemeňte nastavenie regulácie otáčok motora.

### Bezpečnosť na pracovisku



**VÝSTRAHA:** Skôr než budete používať produkt, prečítajte si nasledujúce výstrahy.

- Pred používaním výrobku odstráňte z pracovnej oblasti všetky predmety, ako sú napr. konáre, vetvy a kamene.
- Predmety, ktoré narazia na rezné zariadenie, môžu byť vymrštené a spôsobiť poranenie osôb alebo poškodenie iných predmetov. Dávajte pozor, aby okolo stojace osoby a zvieratá nevstupovali do pracovnej oblasti.
- Výrobok nikdy nepoužívajte počas nepriaznivých poveternostných podmienok, napríklad v hmle, v daždi, v silnom vetre, v silnom mraze, pri vysokom riziku blyskania. Používanie výrobku počas nepriaznivých poveternostných podmienok alebo na vlhkých alebo mokrych miestach je namáhavé. Nepriaznivé poveternostné podmienky môžu mať za následok vznik nebezpečných podmienok, akými sú napr. klzké povrchy.
- Dávajte pozor na osoby, predmety a situácie, ktoré môžu zamedziť bezpečnej prevádzke výrobku.
- Dávajte pozor na prekážky, ako sú napr. korene, kamene, halúzky, jamy a priekopy. Vysoká tráva môže zakrývať prekážky.
- Kosenie trávy na svahoch môže byť nebezpečné. Výrobok nepoužívajte na svahoch so sklonom viac ako 15 °.
- S výrobkom sa pohybujte po vrstevnici. Nepohybujte sa smerom do svahu a zo svahu.
- V blízkosti skrytých rohov a objektov, ktoré vám bránia vo výhľade, sa pohybujte opatrne.

- Keď je naštartovaný motor, rukoväť motorovej brzdy nesmie byť nikdy trvalo pripevnená k rukováti.
- Položte výrobok na stabilný, rovný povrch a naštartujte ho. Uistite sa, že sa nôž nedostane do kontaktu so zemou alebo inými predmetmi.
- Pri obsluhu vždy stojte za výrobkom.
- Pri obsluhu výrobku dávajte pozor, aby všetky kolesá dosadali na zem a rukoväť držte oboma rukami. Udržiavajte ruky a chodidlá mimo dosahu rotujúcich nožov.
- Keď je motor spustený, výrobok nenakláňajte.
- Pri ťahaní výrobku smerom dozadu buďte opatrní.
- Výrobok nikdy nedvíhajte, keď je spustený motor. Ak musíte výrobok zdvihnúť, najprv vypnite motor a odpojte kábel zapalovania od zapalovacej sviečky.
- Počas obsluhy výrobku necúvajte.
- Pri prechádzaní cez oblasti bez trávy, ako sú napr. štrkové, kamenné a asfaltové chodníky, vypnite motor.
- Keď je zapnutý motor, s výrobkom neutekajte. Počas obsluhy výrobku vždy kráčajte.
- Pred zmenou výšky rezu zastavte motor. Nikdy nevykonávajte nastavenia so spusteným motorom.
- Nikdy nenechávajte výrobok bez dozoru, keď je zapnutý motor. Zastavte motor a uistite sa, že sa rezné zariadenie neotáča.

## Bezpečnostné pokyny pre prevádzku

### Osobné ochranné prostriedky



**VÝSTRAHA:** Skôr než budete výrobok používať, prečítajte si nasledujúce výstrahy.



**VÝSTRAHA:** Skôr než budete výrobok používať, prečítajte si nasledujúce výstrahy.

- Tento výrobok používajte len na kosenie trávy. Výrobok sa nesmie používať na iné úlohy.
- Používajte osobné ochranné pomôcky. Pozrite si časť *Osobné ochranné prostriedky na strane 316*.
- Naučte sa, ako v prípade núdze rýchlo zastaviť motor.
- Nikdy neštartujte motor v uzavretých priestoroch alebo v blízkosti horľavého materiálu. Výfukové plyny z motora sú horúce a môžu obsahovať iskry, ktoré môžu vyvolať požiar.
- Výrobok nepoužívajte, pokiaľ nie sú nôž a všetky kryty správne upevnené. Nesprávne pripojený nôž sa môže uvoľniť a spôsobiť poranenia osôb.
- Uistite sa, že nôž nenarazí na predmety, ako sú napr. kamene alebo korene. Môže dôjsť k poškodeniu noža a ohnitiu hriadeľa motora. Ohnutá náprava spôsobuje silné vibrácie a vzniká veľké nebezpečenstvo uvoľnenia noža.
- Ak nôž narazí na predmet alebo ak cítite vibrácie, výrobok okamžite vypnite. Odpojte kábel zapalovania od zapalovacej sviečky. Skontrolujte, či nie je výrobok poškodený. Opravte akékoľvek poškodenie alebo kontaktujte servisného zástupcu.

- Osobné ochranné prostriedky nedokážu úplne vylúčiť riziko, ale môžu znížiť vážnosť zranenia v prípade nehody. Váš predajca vám pomôže pri výbere správnych prostriedkov.
- Ak hladina hluku je vyššia ako 85 dB, používajte chrániče sluchu.
- Noste odolné protišmykové topánky. Výrobok neobsluhujte v otvorených topánkach ani s bosými nohami.
- Noste dlhé odolné nohavice.
- Keď je to potrebné, používajte ochranné rukavice, ako napríklad pri montáži, kontrole alebo čistení rezného zariadenia.

### Bezpečnostné zariadenia na výrobku



**VÝSTRAHA:** Skôr než budete výrobok používať, prečítajte si nasledujúce výstrahy.

- Výrobok nepoužívajte s bezpečnostnými zariadeniami, ktoré sú poškodené alebo nefungujú správne.

- Pravidelne kontrolujte bezpečnostné zariadenia. Ak sú bezpečnostné zariadenia poškodené alebo nefungujú správne, obráťte sa na Husqvarna servisného zástupcu.
- Bezpečnostné zariadenia neupravujte.

### Kontrola krytu rezacej časti

Kryt rezacej časti tlmi vibrácie vo výrobku a znižuje riziko poranenia kotúčom.

- Skontrolujte kryt rezacej časti, aby ste sa uistili, že na ňom nie sú žiadne známky poškodenia, ako sú napr. praskliny.

### Kontrola rukoväte motorovej brzdy.

Rukoväť motorovej brzdy slúži na zastavenie motora. Keď rukoväť motorovej brzdy uvoľníte, motor sa zastaví.

- Naštartujte motor a potom uvoľníte rukoväť motorovej brzdy. Ak sa motor v priebehu 3 sekúnd nezastaví, požiadajte servisného zástupcu spoločnosti Husqvarna o nastavenie motorovej brzdy. (Obr. 16)

### Tlmič výfuku

Tlmič výfuku slúži na udržovanie minimálnej hladiny hluku a na smerovanie výfukových plynov smerom od operátora.

Výrobok nepoužívajte, ak tlmič výfuku chýba alebo je poškodený. Poškodený tlmič výfuku zvyšuje hladinu hluku a nebezpečenstvo požiaru.



**VÝSTRAHA:** Tlmič výfuku je veľmi horúci počas prevádzky, po nej a tiež počas behu motora na voľnobeh. Zachovávejte opatnosť v okolí horľavých materiálov alebo výparov, aby ste nespôsobili požiar.

### Bezpečnosť paliva



**VÝSTRAHA:** Skôr než budete výrobok používať, prečítajte si nasledujúce výstrahy.

- Výrobok neštartujte, ak sú na ňom zvyšky paliva alebo motorového oleja. Odstráňte neželané palivo/ olej a nechajte výrobok vyschnúť.
- Ak vylejete palivo na odev, okamžite sa prelečte.
- Dávajte pozor, aby ste si palivo nevyliali na telo, pretože môže spôsobiť poranenie. Ak si palivo vylejete na telo, umyte sa pomocou mydla a vody.
- Výrobok neštartujte, ak sa na motore vyskytuje netesnosť. Pravidelne kontrolujte výskyt netesností na motore.
- Pri manipulácii s palivom buďte opatrní. Palivo je horľavá látka a výpary z paliva sú výbušné a môžu spôsobiť poranenia alebo smrť.

- Vyhnite sa vdychovaniu výparov paliva, pretože môžu spôsobiť poranenie. Zabezpečte dostatočné prúdenie vzduchu.
- V blízkosti paliva alebo motora nefajčite.
- Neukladajte do blízkosti paliva alebo motora teplé predmety.
- Nedopĺňajte palivo, keď je zapnutý motor.
- Pred dopĺňaním paliva sa uistite, že motor vychladol.
- Pred dopĺňaním paliva pomaly otvorte veko palivovej nádrže a opatrne uvoľnite tlak.
- Palivo do motora nedopĺňajte v interiéri. Nedostatočné prúdenie vzduchu môže spôsobiť poranenie alebo smrť v dôsledku udusenía alebo otravy oxidom uhoľnatým.
- Uzáver palivovej nádrže pevne utiahnite. Ak nie je veko palivovej nádrže pevne utiahnuté, existuje riziko vzniku požiaru.
- Pred spustením premiestnite výrobok minimálne 3 m od miesta, na ktorom ste dopĺňali palivo do nádrže.
- Palivovú nádrž nedopĺňajte úplne doplna. Tepló spôsobuje expanziu paliva. Uchovajte miesto navrchu palivovej nádrže.
- Výrobok nikdy neskladujte s benzínom v palivovej nádrži vo vnútri budovy, v ktorej sa môžu nachádzať zdroje vznietenia, ako napr. ohrievače teplej vody, vykurovacie telesá alebo sušičky bielizne. Pred uskladnením do akéhokolvek uzavretého priestoru nechajte motor vychladnúť.

### Bezpečnostné pokyny pre údržbu



**VÝSTRAHA:** Skôr než budete používať produkt, prečítajte si nasledujúce výstrahy.

- Výfukové plyny z motora obsahujú oxid uhoľnatý, plyn bez zápachu, ktorý je jedovatý a veľmi nebezpečný. Motor neštartujte v interiéri ani v uzavretých priestoroch.
- Pred vykonávaním údržby výrobku zastavte motor a odpojte kábel zapalovania od zapalovacej sviečky.
- Pri vykonávaní údržby rezného zariadenia používajte ochranné rukavice. Čepel je veľmi ostrá a ľahko môže dôjsť k porezaniu.
- Príslušenstvo a úprava výrobku, ktoré neschválil výrobca, môžu spôsobiť vážne poranenia alebo smrť. Výrobok neupravujte. Vždy používajte príslušenstvo schválené výrobcom.
- Nepravidelná a nesprávne vykonaná údržba zvyšuje nebezpečenstvo poranenia a poškodenia výrobku.
- Vykonávajte len údržbu uvedenú v tomto návode na používanie. Všetky ostatné práce týkajúce sa údržby musí vykonávať schválený servisný zástupca spoločnosti Husqvarna.
- Výrobok nechajte pravidelne kontrolovať kvôli údržbe u schváleného servisného zástupcu spoločnosti Husqvarna.

- Vymeňte všetky poškodené, opotrebované alebo zlomené diely.

---

## Montáž

---

### Montáž rukoväti

1. Zatláčte skrutku (A) cez rukoväť (B), plastovú podložku (C) a opornú podporu rukoväti (D). (Obr. 17)
2. Maticu (E) utiahnite na doraz.
3. Zatláčte skrutku (F) cez podložku (G) a opornú podporu rukoväti.
4. Gombík (H) utiahnite na doraz.
5. Zarovnajte otvory na rukoväti s otvormi na spodnej rukoväti a upevnite skrutky, podložky a gombíky. Gombíky utiahnite na doraz. (Obr. 18)
6. Pomocou držiakov na káble pripievte káble k rukoväti. (Obr. 19)

**Poznámka:** Uistite sa, že káble nie sú príliš napnuté. Nadmerné napnutie kábla môže pri skladaní rukoväti do transportnej polohy poškodiť kábel.

7. Umiestnite káble okolo háku v spodnej časti rukoväti. (Obr. 20)

### Nastavenie výšky držadla

1. Uvoľnite spodné gombíky. (Obr. 21)
2. Odmontujte gombík, podložku a skrutku na ľavej a pravej strane.
3. Výšku rukoväti možno nastaviť do 2 polôh. Zasuňte skrutku do jedného z dvoch otvorov na ľavej a pravej strane. (Obr. 22)
4. Upevnite skrutky, podložky a gombíky.
5. Posuňte gombíky nahor smerom k rukoväti, kým sa nezastavia a nebudete počuť kliknutie. Gombíky utiahnite na doraz. (Obr. 23)

### Nastavenie výrobku do transportnej polohy

1. Odstráňte zberný kôš.
2. Uvoľnite gombíky na hornej rukoväti a sklopte rukoväť nadol. (Obr. 24)
3. Uvoľnite spodné gombíky.
4. Posuňte gombíky smerom k spodnej časti drážok na ľavej a pravej strane výrobku. (Obr. 25)
5. Sklopte držadlo dopredu. (Obr. 26)

### Nastavenie výrobku do prevádzkovej polohy

1. Dvihajte rukoväť, kým sa jej spodná časť nezaistí v prevádzkovej polohe. (Obr. 27)
2. Posuňte gombíky nahor smerom k rukoväti, kým sa nezastavia a nebudete počuť kliknutie.
3. Gombíky utiahnite na doraz. (Obr. 28)
4. Nadvihnite hornú časť rukoväti.
5. Gombíky utiahnite na doraz. (Obr. 29)

### Zostavenie zberného koša

1. Vložte hornú časť zberného koša do spodnej časti zberného koša. (Obr. 30)
2. Rám zberného koša upevnite príchytkami. (Obr. 31)
3. Nadvihnite zadný kryt.
4. Upevnite háčiky na zbernom koši na horný okraj rámu. (Obr. 32)
5. Vložte spodnú časť zberného koša do kanála na vyhadzovanie trávy.

---

## Prevádzka

---

### Úvod



**VÝSTRAHA:** Pred používaním výrobku si musíte prečítať kapitolu o bezpečnosti a porozumieť informáciám, ktoré sa v nej uvádzajú.

- Informácie a podpora vzťahujúce sa na súčasti výrobku a servis.

### Ak chcete začať, použite Husqvarna Connect

1. Stiahnite si aplikáciu Husqvarna Connect do mobilného zariadenia.
2. Zaregistrujte sa v aplikácii Husqvarna Connect.
3. Ak chcete pripojiť a zaregistrovať produkt, postupujte podľa pokynov v aplikácii Husqvarna Connect.

### Husqvarna Connect

Husqvarna Connect je bezplatná aplikácia pre mobilné zariadenia. Aplikácia Husqvarna Connect prináša rozšírené funkcie pre výrobok Husqvarna:

- Rozšírené informácie o výrobku.

### Pred obsluhou zariadenia

1. Pozorne si prečítajte tento návod na obsluhu a uistite sa, že ste porozumeli pokynom.

2. Skontrolujte rezné zariadenie a uistite sa, že je správne upevnené a nastavené. Pozrite si kapitolu *Kontrola rezného zariadenia na strane 321*.
3. Nalejte palivo do palivovej nádrže. Pozrite si kapitolu *Doplňanie paliva na strane 319*.
4. Naplňte nádrž a skontrolujte hladinu oleja. Pozrite si kapitolu *Kontrola hladiny oleja na strane 321*.

## Doplňanie paliva

Ak je to možné, použite benzín s nízkou emisnou triedou/alkylátové palivo. Ak benzín s nízkou emisnou triedou/alkylátové palivo nie sú dostupné, použite kvalitný bezolovnatý benzín alebo olivnatý benzín s oktánovým číslom najmenej 91.



**VAROVANIE:** Nepoužívajte benzín s oktánovým číslom nižším ako 91 RON. Mohlo by to viesť k poškodeniu výrobku.



**VAROVANIE:** Vymieňajte palivový filter každý rok alebo častejšie, ak je to potrebné. Nový palivový filter je v ponuke u vášho predajcu Husqvarna.



**VAROVANIE:** Pred doplnením paliva vždy zastavte motor.



**VAROVANIE:** Nepoužívajte stlačené štartovacie kvapaliny (napr. v spreji).

1. Pomalým otvorením veka palivovej nádrže uvoľnite tlak.
2. S použitím kanistra opatrne doplňte palivo. Ak sa palivo vyleje, pomocou handričky ho utrite a zvyšné palivo nechajte vyschnúť. (Obr. 33)
3. Vyčistite priestor okolo veka palivovej nádrže.
4. Uzáver palivovej nádrže pevne utiahnite. Ak nie je veko palivovej nádrže pevne utiahnuté, existuje riziko vzniku požiaru.
5. Pred spustením premiestnite výrobok minimálne 3 m od miesta, na ktorom ste doplňali palivo do nádrže.

## Nastavenie výšky rezu

1. Ak chcete zvýšiť výšku rezu, posuňte páku výšky rezu smerom dozadu.
2. Ak chcete znížiť výšku rezu, posuňte páku výšky rezu smerom dopredu. (Obr. 34)



**VAROVANIE:** Nenastavujte výšku rezu príliš nízko. Ak nie je povrch trávniku rovinný, nože môžu narážať o zem.

## Zapnutie výrobku

1. Uistite sa, že je kábel zapalovania pripojený k zapalovacej sviečke.
2. Stojte za výrobkom.
3. Rukoväť motorovej brzdy držte oproti hornej rukováti. (Obr. 35)
4. Pevne uchopte rukoväť štartovacieho lanka pravou rukou.
5. Pomaly potiahnite štartovacie lanko, kým nepocítite istý odpor.
6. Silným potiahnutím naštartujte motor.



**VÝSTRAHA:** Štartovacie lanko si neovíjajte okolo ruky.

## Používanie pohonu na kolesách

- Potlačte páku pohonu smerom k hornej rukováti. (Obr. 36)
- Uvoľnením páky pohonu deaktivujte pohon, napr. keď sa pohybujete v blízkosti prekážok.
- Pred potiahnutím výrobku smerom dozadu deaktivujte pohon a potlačte výrobok zhruba 10 cm dopredu.

## Vypnutie výrobku

- Ak chcete vypnúť len pohon, uvoľníte páku pohonu.
- Ak chcete vypnúť motor, uvoľníte rukoväť motorovej brzdy.

## Zabezpečenie optimálnych výsledkov

- Vždy používajte ostrý nôž. Tupý nôž poskytuje nepravidelné výsledky kosenia a pokosený povrch trávniku zožltne. Ostrý nôž spotrebuje menej energie ako tupý nôž.
- Nekoste viac ako 1/3 dĺžky trávy. Najprv koste s nastavenou vysokou výškou rezu. Skontrolujte výsledok a znížte výšku rezu na príslušnú úroveň. Ak je tráva veľmi vysoká, pohybujte sa pomaly a ak je to potrebné, pokoste ju dvakrát.
- Zakaždým koste iným smerom, aby ste predišli vzniku pruhov na trávniku.
- Udržiavajte kryt kosačky čistý. Nahromadenie trávy a nečistoty na vnútornej strane krytu kosačky môže viesť k horšiemu výsledku kosenia. Pozrite si časť *Čistenie vnútornej strany krytu rezacej časti na strane 321*.

# Údržba

## Úvod



**VÝSTRAHA:** Pred vykonávaním akejkoľvek údržby si musíte prečítať kapitolu o bezpečnosti a porozumieť jej.

Údržba a opravné práce na výrobku si vyžadujú špeciálne školenie. Zaručujeme dostupnosť profesionálnych opravných prác a údržby. Ak váš predajca nie je servisný zástupca, kontaktujte predajcu, ktorý vám poskytne informácie o najbližšom servisnom zástupcovi.

Podrobnejšie informácie nájdete na stránke .

## Plán údržby



**VAROVANIE:** Uistite sa, že vzduchový filter je na vrchnej strane výrobku a nie smerom do zeme, keď výrobok nakloníte. Hrozí nebezpečenstvo poškodenia motora.

Intervaly údržby sú vypočítané na základe každodenného používania výrobku. Ak sa výrobok nepoužíva každý deň, tieto intervaly sa menia.

Informácie o prvkoch údržby označených symbolom „\*\*“ nájdete v pokynoch v časti *Bezpečnostné zariadenia na výrobku na strane 316*.

Údržba	Denne	Mesačne	Každú sezónu
Vykonajte všeobecnú kontrolu	X		
Skontrolujte hladinu oleja	X		
Vymeňte olej (prvýkrát po 5 hodinách používania, potom po každých 50 hodinách používania) <sup>155</sup>			X
Vyčistite výrobok	X		
Skontrolujte rezné zariadenie	X		
Skontrolujte kryt rezacej časti *	X		
Skontrolujte rukoväť motorovej brzdy *	X		
Skontrolujte tlmič výfuku *		X	
Skontrolujte zapalovaciu sviečku. V prípade potreby vyčistite alebo vymeňte zapalovaciu sviečku.			X
Skontrolujte vzduchový filter	X		
Vyčistite vzduchový filter <sup>156</sup>		X	
Vymeňte vzduchový filter			X
Skontrolujte palivový systém			X
Vyčistite chladiace rebrá valca		X	
Skontrolujte a nastavte lanko spojky (LC 140SP)			X

## Vykonanie všeobecnej kontroly

- Uistite sa, že sú dotiahnuté všetky matice aj skrutky na výrobku.

## Čistenie externých povrchov výrobku

- Pomocou kefy odstráňte listy, trávu a nečistoty.
- Uistite sa, že nie je zablokované nasávanie vzduchu vo vrchnej časti motora.

<sup>155</sup> Ak je produkt ťažko namáhaný alebo používaný pri vysokej teplote prostredia, vymeňte motorový olej každých 25 hodín.

<sup>156</sup> Filter čistite častejšie, ak sa vo vzduchu pri používaní výrobku nachádza veľa prachových alebo iných častíc. Vymeňte vzduchový filter, ak je veľmi znečistený.



- Na čistenie výrobku nepoužívajte vysokotlakový čistič.
- Ak na čistenie výrobku použijete vodu, nelejte vodu priamo na motor.

## Čistenie vnútorného povrchu krytu rezacej časti

1. Vyprázdňte palivovú nádrž.
2. Nakloňte výrobok. Ubezpečte sa, že zapalovacia sviečka je orientovaná hrotom nahor.



**VAROVANIE:** Ak výrobok položíte tak, že vzduchový filter bude smerovať nadol, môže dôjsť k poškodeniu motora.

3. Pomocou hadice vystriekajte vnútorné povrchy krytu rezacej časti.

## Kontrola rezného zariadenia



**VÝSTRAHA:** Aby ste zabránili náhodnému naštartovaniu, odpojte kábel zapalovania od zapalovacej sviečky.



**VÝSTRAHA:** Pri vykonávaní údržby rezného zariadenia používajte ochranné rukavice. Čepeľ je veľmi ostrá a ľahko môže dôjsť k porezaniu.

1. Skontrolujte, či sa na reznom zariadení nenachádzajú známky poškodenia alebo praskliny. Poškodené rezné zariadenie vždy vymeňte.
2. Skontrolujte, či nie je poškodený alebo tupý nôž.

**Poznámka:** Po nabrúsení je potrebné nôž vyrovnat'. Nôž nechajte nabrúsiť, vymeniť a vyrovnat' v servisnom stredisku. Ak narazíte na predmet, ktorý spôsobí zastavenie výrobku, vymeňte poškodený nôž. Nechajte, aby servisné stredisko rozhodlo, či je možné nôž nabrúsiť alebo sa musí vymeniť.

## Výmena noža

1. Pomocou dreveného bloku zaistíte nôž. (Obr. 37)
2. Odmontujte skrutku noža a vyberte perovú podložku.
3. Odstráňte nôž.
4. Skontrolujte držiak noža a skrutku noža kvôli známkam poškodenia.
5. Skontrolujte hriadeľ motora a uistite sa, že nie je ohnutý.
6. Pri upevňovaní nového noža nasmerujte zošikmené konce noža v smere krytu rezacej časti. (Obr. 38)
7. Uistite sa, že je nôž zarovnaný so stredom hriadeľa motora.

8. Pomocou dreveného bloku zaistíte nôž. Pripevnite perovú podložku a utiahnite skrutku a podložku momentom 45–60 Nm. (Obr. 39)
9. Rukou potočte nožom a uistite sa, že sa voľne otáča.



**VÝSTRAHA:** Používajte odolné rukavice. Nôž je veľmi ostrý a ľahko môže dôjsť k porezaniu.

10. Zapnite výrobok a otestujte nôž. Ak nôž nie je správne upevnený, výrobok vibruje alebo poskytuje neuspokojivé výsledky kosenia.

## Kontrola hladiny oleja



**VAROVANIE:** Príliš nízka hladina oleja môže viesť k poškodeniu motora. Pred zapnutím výrobku skontrolujte hladinu oleja.

1. Položte výrobok na rovný povrch.
2. Vyberte uzáver nádrže na olej s olejovou mierkou.
3. Očistite olej z olejovej mieryky.
4. Aby ste získali presnú úroveň hladiny oleja, olejovú mierku úplne zasuňte do nádrže na olej. Nepripevňujte uzáver nádrže na olej.
5. Vyberte uzáver nádrže na olej s olejovou mierkou.
6. Skontrolujte hladinu oleja na ponornej mierke.
7. V prípade príliš nízkej hladiny doplňte motorový olej a opätovne skontrolujte hladinu oleja. (Obr. 40)

**Poznámka:** Použite lievik, aby ste zabránili úniku oleja.

8. Ak je hladina oleja správna, nasad'te uzáver nádrže na olej.

## Výmena motorového oleja



**VÝSTRAHA:** Bezprostredne po vypnutí motora je motorový olej veľmi horúci. Nechajte motor vychladnúť pred vypustením oleja. Ak sa motorový olej dostane na pokožku, očistite ju mydlom a vodou.

(Obr. 41)

1. Výrobok používajte, kým nebude palivová nádrž prázdna.
2. Vytiahnite kábel zapalovania zo zapalovacej sviečky.
3. Vyberte uzáver nádrže na olej s olejovou mierkou.
4. Položte pod výrobok nádobu na zachytenie motorového oleja.
5. Výrobok nakloňte alebo vyčerpajte motorový olej z nádrže na olej s pomocou olejového čerpadla (príslušenstvo).

- Nalejte do nádrže nový motorový olej, pričom sa riadte odporúčaniami v kapitole *Technické údaje na strane 324*.
- Skontrolujte hladinu oleja. Pozrite si časť *Kontrola hladiny oleja na strane 321*.
- Ak je hladina oleja správna, nasadzte uzáver nádrže na olej.

## Čistenie penového plastového filtra



**VAROVANIE:** Bez vzduchových filtrov neštartujte motor. Ak je vzduch znečistený, zvyšuje sa opotrebenie motora.

- Demontujte kryt vzduchového filtra (A). (Obr. 42)
- Odstráňte penové plastové filtre (B).



**VAROVANIE:** Skontrolujte, či nie sú penové plastové filtre poškodené alebo opotrebované. Vymeňte všetky poškodené penové plastové filtre.

- Vyčistite penové plastové filtre pomocou mydla a vody.
- Opláchnite penové plastové filtre čistou vodou.
- Vytlačte z penových plastových filtrov vodu a nechajte ich vysušiť.



**VAROVANIE:** Nepoužívajte stlačený vzduch. Môže spôsobiť poškodenie penového plastového filtra.

- Namažte penové plastové filtre motorovým olejom.
- Neželaný olej odstráňte pritiačením čistej handričky na penový plastový filter.
- Namontujte penové plastové filtre. Uistite sa, že penové plastové filtre pevne dosadajú na držiak vzduchového filtra.
- Nasadzte kryt vzduchového filtra.

## Kontrola zapalovacej sviečky



**VAROVANIE:** Vždy používajte odporúčaný typ zapalovacej sviečky. Nesprávny typ zapalovacej sviečky môže spôsobiť poškodenie výrobku.

- Ak má motor slabý výkon, ťažko sa štartuje alebo pri voľnoběžných otáčkach nefunguje správne, skontrolujte zapalovaciu sviečku.
- Ak chcete znížiť riziko prítomnosti neželaného materiálu na elektródach zapalovacej sviečky, postupujte takto:
  - Uistite sa, že voľnoběžné otáčky sú správne nastavené.
  - Uistite sa, že používate správnu zmes paliva.
  - Uistite sa, že je čistý vzduchový filter.

- Ak je zapalovacia sviečka znečistená, očistite ju a skontrolujte, či je medzera medzi elektródami správna. Pozrite si časť *Technické údaje na strane 324*. (Obr. 43)
- V prípade potreby vymeňte zapalovaciu sviečku.

## Kontrola palivového systému

- Skontrolujte veko palivovej nádrže a tesnenie veka palivovej nádrže a uistite sa, že nie sú poškodené.
- Skontrolujte palivovú hadicu a uistite sa, že z nej nevyteká palivo. Ak je palivová hadica poškodená, nechajte servisného zástupcu, aby ju vymenil.

## Vyprázdnenie palivovej nádrže

- Pod palivovú nádrž položte nádobu.
- Zložte uzáver palivovej nádrže.
- Stlačte hadicové svorky na palivovej nádrži pri karburátore.
- Odpojte palivovú hadicu od karburátora.
- Hadicu palivovej nádrže vložte do nádoby a odstráňte hadicové svorky.
- Nakloňte výrobok a nechajte palivo vyteciť do nádoby.

## Výmena palivového filtra



**VÝSTRAHA:** Používajte ochranné rukavice.

- Vyprázdňte palivovú nádrž.
- Odsuňte hadicové úchytky od palivovej nádrže. (Obr. 44)
- Odstráňte palivovú hadicu z palivovej nádrže. Môže dôjsť k úniku malého množstva paliva. (Obr. 45)
- Odstráňte palivový filter z palivovej nádrže. (Obr. 46)
- Namontujte nový palivový filter do palivovej nádrže.
- Pripevnite palivovú hadicu k palivovej nádrži.
- Hadicovú sponu umiestnite na správne miesto oproti palivovej nádrži.

## Nastavenie lanka spojky (LC 140SP)

V nasledujúcich situáciách je potrebné skrátiť lanko spojky:

- pohon kolies sa nezapojí, keď potiahnete páku pohonu alebo páčku regulácie rýchlosti,
- výrobok sa pohybuje pomaly, keď sa zapojí pohon kolies.

V nasledujúcich situáciách je potrebné predĺžiť lanko spojky:

- výrobok sa pohybuje, keď pohon kolies nie je zapojený.
- Nastavenie lanka spojky

- a) Ak chcete skrátiť lanko spojky, otáčajte nastavovaciu skrutku proti smeru hodinových ručičiek.
- b) Ak chcete predĺžiť lanko spojky, otáčajte nastavovaciu skrutku v smere hodinových ručičiek. (Obr. 47)

Ak sa výrobok po nastavení naďalej pohybuje neuspokojivo, obráťte sa na servisného predajcu.

## Riešenie problémov s motorom

Problém	Možná príčina	Riešenie
Motor neštartuje.	Kábel zapaľovania nie je správne pripojený.	Pripojte kábel zapaľovania k zapaľovacej sviečke.
	Palivová nádrž je prázdna.	Palivovú nádrž naplňte správnym typom paliva.
	Palivo je staré.	Vyprázdnite palivovú nádrž a karburátor. Znova naplňte novým benzínom.
	V karburátore alebo palivovom potrubí sa nachádzajú nečistoty.	Vyčistite karburátor a/alebo palivové potrubie.
	Zapaľovacia sviečka je poškodená.	Nastavte medzeru medzi elektródami, vyčistite alebo vymeňte zapaľovaciu sviečku.
	Na zapaľovacej sviečke sa nachádza palivo.	Vyčistite zapaľovaciu sviečku.
Motor sa nezastavuje.	Mechanizmus zastavenia nefunguje správne.	Odpojte kábel zapaľovania od zapaľovacej sviečky. Opravu produktu zverte schválenému servisnému zástupcovi.
Motor nebeží plynule.	Kábel zapaľovania nie je správne pripojený.	Pripojte kábel zapaľovania k zapaľovacej sviečke.
	V palivovom potrubí sú nečistoty alebo vypršala životnosť paliva.	Vyčistite palivové potrubie. Palivovú nádrž naplňte novým palivom správneho typu.
	Uzáver palivovej nádrže je zablokovaný.	Vyčistite uzáver palivovej nádrže.
	V palivovom systéme sa nachádza voda alebo nečistoty.	Vyprázdnite palivovú nádrž. Palivovú nádrž naplňte novým palivom správneho typu.
	Vzduchový filter je špinavý.	Vyčistite vzduchový filter.
	Je nutné nastaviť karburátor.	O nastavenie karburátora požiadajte servisného zástupcu.
Motor sa príliš prehrieva.	Hladina motorového oleja je príliš nízka.	Doplňte motorový olej.
	Prietok vzduchu je nedostatočný.	Očistite vzduchový filter a telo vzduchového filtra.
	Je nutné nastaviť karburátor.	O nastavenie karburátora požiadajte servisného zástupcu.
Keď motor pracuje pri vysokých otáčkach, vynecháva sa v ňom zážih.	Medzera medzi elektródami v zapaľovacej sviečke je príliš malá.	Nastavte medzeru medzi elektródami.

Problém	Možná příčina	Riešenie
Motor vydáva nezvyčajné zvuky počas bežnej prevádzky.	Nesprávny typ benzínu.	Vyprázdňte palivovú nádrž a karburátor. Znova naplňte novým benzínom. V časti <i>Doplňanie paliva na strane 319</i> . Ak problém pretrváva, obráťte sa na svojho regionálneho servisného zástupcu.
Motor nebeží plynule pri volnoběžných otáčkach.	Zapaľovacia sviečka je špinavá alebo poškodená, prípadne je medzera medzi elektródami príliš široká.	Nastavte medzeru medzi elektródami alebo vymeňte zapaľovaciu sviečku.
	Je nutné nastaviť karburátor.	Nastavte karburátor.
	Vzduchový filter je špinavý.	Vyčistíte vzduchový filter.

## Preprava, skladovanie a likvidácia

### Preprava a uskladnenie

- Pri uskladňovaní a preprave výrobku a paliva sa uistíte, že nedochádza k úniku kvapaliny a výparov. Iskry alebo otvorené plamene, napr. z elektrických zariadení alebo bojlerov, môžu vyvolať požiar.
- Na uskladnenie a prepravu paliva vždy používajte schválené kanistre.
- Pred uskladnením výrobku na dlhšiu dobu vyprázdňte palivovú nádrž. Palivo zlikvidujte v príslušnom zariadení na likvidáciu.
- Počas prepravy výrobok bezpečne upevnite, aby ste zabránili poškodeniu alebo nehodám.
- Výrobok skladujte v uzamknutom priestore mimo dosahu detí a neoprávnených osôb.

- Výrobok skladujte na suchom mieste, ktoré je chránené pred mrazom.

### Likvidácia

- Dodržiavajte miestne požiadavky v oblasti recyklácie a platné predpisy.
- Všetky chemikálie, ako napr. motorový olej alebo palivo, zlikvidujte v servisnom stredisku alebo v príslušnom zariadení na likvidáciu.
- Keď už výrobok nepoužívate, pošlite ho predajcovi spoločnosti Husqvarna alebo ho zlikvidujte v recyklačnom zariadení.

## Technické údaje

### Technické údaje

	LC 140P	LC 140SP
<b>Motor</b>		
Značka	Husqvarna	Husqvarna
Názov modelu motora	HS 123 A	HS 123 A
Typ motora	Jednovalcový, 4-taktný, chladenie s núteným obehom vzduchu, OHV	Jednovalcový, 4-taktný, chladenie s núteným obehom vzduchu, OHV
Objem, cm <sup>3</sup>	123	123
Rýchlosť, ot./min	3000	3000

	LC 140P	LC 140SP
Menovitý výkon motora, kW <sup>157</sup>	1,95	1,95
<b>Systém zapalovania</b>		
Zapaľovacia sviečka	Husqvarna HQT-7	Husqvarna HQT-7
Vzdialenosť elektród, mm	0,7 – 0,8	0,7 – 0,8
<b>Systém paliva a mazania</b>		
Typ mazania motora	Rozstrekovaním oleja	Rozstrekovaním oleja
Objem palivovej nádrže, litre	0,9	0,9
Objem olejovej nádrže, litre	0,5	0,5
Motorový olej <sup>158</sup>	Husqvarna SAE 30, Husqvarna SAE 5W-30 Synthetic, Husqvarna SAE 10W-40	Husqvarna SAE 30, Husqvarna SAE 5W-30 Synthetic, Husqvarna SAE 10W-40
<b>Hmotnosť</b>		
S prázdnyimi nádržami, kg	25,2	26,8
<b>Emisie hluku</b> <sup>159</sup>		
Nameraná úroveň hlučnosti, dB(A)	93	93
Hladina akustického výkonu, garantovaná, L <sub>WA</sub> dB(A)	94	94
<b>Úroveň hlučnosti</b> <sup>160</sup>		
Hladina akustického tlaku pri uchu používateľa, dB(A)	82	82
<b>Úroveň vibrácií</b> <sup>161</sup>		
Ekvivalentné zrýchlenie vibrácií rukoväti, m/s <sup>2</sup>	5,6	7,6
<b>Rezné zariadenie</b>		
Výška rezu, mm	25 – 75	25 – 75
Šírka rezu, mm	400	400
Kosiaci systém	Zber/zadné vyhadzovanie	Zber/zadné vyhadzovanie
Nože – štandardné	Zberač 5873863-10	Zberač 5873863-10
Kapacita zberného koša, litre	50	50

<sup>157</sup> Vyznačený výkon motora je priemerný čistý výkon (pri uvedených ot./min) typického sériového motora pre model motora meraný podľa normy SAE J1349/ISO 1585. Sériovo vyrábané motory sa môžu od tejto hodnoty odlišovať. Skutočný výkon motora nainštalovaného na koncovom výrobku závisí od prevádzkovej rýchlosti, podmienok okolitého prostredia a iných hodnôt.

<sup>158</sup> Používajte motorový olej kvality API SJ alebo vyššej. Ak sa motorový olej SAE-30 používa pri teplote nižšej ako +5 °C, existuje riziko, že motor nebude dostatočne mazaný. Môže tak dôjsť k poškodeniu motora. Informácie o vhodnom oleji použiteľnom pri nízkych teplotách nájdete v kapitole *Výmena motorového oleja na strane 321*. Pozrite si tabuľku s viskozitou v príručke k motoru (ak je súčasťou balenia) a vyberte najvhodnejšiu viskozitu na základe očakávanej vonkajšej teploty.

<sup>159</sup> Hladina hluku meraná ako akustický tlak (L<sub>WA</sub>) v súlade s európskou smernicou 2000/14/ES.

<sup>160</sup> Uvádzané údaje pre hladinu akustického tlaku majú typický štatistický rozptyl (štandardnú odchýlku) 1,2 dB (A).

<sup>161</sup> Uvádzané údaje pre ekvivalentný stupeň vibrácií majú typický štatistický rozptyl (štandardnú odchýlku) 0,2 m/s<sup>2</sup>.

	LC 140P	LC 140SP
<b>Pohon</b>		
Rýchlosť kráčania, km/h	-	4

## Vyhlásenie o zhode

### Vyhlásenie o zhode EÚ

My, spoločnosť **Husqvarna AB**, SE-561 82 Huskvarna, Švédsko, tel.: +46-36-146500, vyhlasujeme s plnou zodpovednosťou, že výrobok:

<b>Popis</b>	Kosačka na trávu
<b>Značka</b>	Husqvarna
<b>Typ/model</b>	LC 140P, LC 140SP
<b>Identifikácia</b>	Výrobné čísla od roku 2022 a novšie

plne spĺňa nasledujúce smernice a nariadenia EÚ:

<b>Nariadenie</b>	<b>Popis</b>
2006/42/ES	„o strojových zariadeniach“
2014/30/EÚ	„o elektromagnetickej kompatibilite“
2000/14/ES	„týkajúca sa emisie hluku v prostredí pochádzajúceho zo zariadení používaných vo voľnom priestranstve“
2011/65/EÚ	„o obmedzení používania určitých nebezpečných látok v elektrických a elektronických zariadeniach“

a že sa pri ňom uplatňujú nasledujúce normy a technické špecifikácie: EN ISO 5395-1:2013/A1:2018, EN ISO 5395-2:2013/A1:2016/A2:2017, EN ISO 14982:2009, EN IEC 63000:2018

Notifikovaný orgán: 0404, RISE SMP Svensk Maskinprovning AB, Box 4053, SE-904 03 Umeå, Sweden osvedčil zhodu so smernicou Rady 2000/14/ES, posudzovanie zhody: príloha VI.

Informácie týkajúce sa emisii hluku nájdete v časti *Technické údaje na strane 324*.

Huskvarna, 2022-09-27



Claes Losdal, Manažér vývoja/Produkty pre záhradu  
Husqvarna AB

Zodpovedný za technickú dokumentáciu



---

# VSEBINA

---

Uvod.....	328	Odpravljanje težav z motorjem.....	336
Varnost.....	329	Transport skladiščenje in odstranitve.....	337
Montaža.....	331	Tehnični podatki.....	338
Delovanje.....	332	Izjava o skladnosti.....	340
Vzdrževanje.....	333		

---

## Uvod

---

### Opis izdelka

Naprava je rotacijska kosilnica. Pokošena trava se zbira v zbiralniku za travo. Če želite uporabiti zadenjski izmet trave, odstranite zbiralnik za travo.

### Pregled izdelka

(Sl. 1)

1. Ročica/ročaj
2. Pogonska ročica (LC 140SP)
3. Ročica zaganjalne vrvice
4. Zbiralnik za travo
5. Posoda za gorivo
6. Zračni filter
7. Svečka
8. Pokrov rezila
9. Dušilnik
10. Pokrovček posode za olje
11. Ročica za nastavitev višine košnje
12. Zadnji pokrov
13. Ročica zavore motorja
14. Simboli
15. Sklop spodnje ročice
16. Spodnji ročaj
17. Navodila za uporabo
18. Lijak za olje

### Simboli na izdelku

- (Sl. 2) OPOZORILO! Bodite previdni in uporabljajte izdelek pravilno. Ta izdelek lahko povzroči hude poškodbe oziroma smrt upravljavca ali drugih.
- (Sl. 3) Pred uporabo izdelka natančno preberite navodila za uporabo in se prepričajte, da ste jih razumeli.
- (Sl. 4) Pazite na leteče in odbite predmete.
- (Sl. 5) Poskrbite, da so osebe in živali na varni razdalji od delovnega območja.

### Namen uporabe

Izdelek uporabite za rezanje trave. Izdelka ne uporabljajte za druga opravila.

- (Sl. 6) Opozorilo: Roke in noge držite stran od vrtljivega rezila.
- (Sl. 7) Opozorilo: Z rokami in nogami ne segajte v območje premikanja vrtljivih delov.
- (Sl. 8) Izklopote motor in odstranite vžigalni kabel, šele nato opravite popravila ali vzdrževalna dela.
- (Sl. 9) Izdelek je v skladu z veljavnimi predpisi CE.
- (Sl. 10) Emisija hrupa v okolje je skladna z direktivami in uredbami EU, ZK ter zakonodajo Novega južnega Walesa, in sicer z direktivo "Zaščita okolja pri delu (nadzor hrupa) iz 2017". Zajamčena raven zvočne moči izdelka, kot je določeno v *Tehnični podatki na strani 338* in na nalepki.
- (Sl. 11) Izdelek je v skladu z veljavnimi direktivami ZK.
- (Sl. 12) Nevarnost požara.
- (Sl. 13) Ne vdihujte izpušnih plinov. Izpušni plini vsebujejo ogljikov monoksid iz motorja, ki je brezbarven, strupen in zelo nevaren plin. Motorja ne vklopite v zaprtih prostorih.
- (Sl. 14) Vroča površina.
- (Sl. 15) Pred uporabo izdelka dolijte motorno olje.



---

**Opomba:** Ostali znaki in oznake na izdelku se nanašajo na zahteve za certifikacijo, ki veljajo za druga komercialna območja.

---

## Stopnja emisij Euro V



**OPOZORILO:** Zaradi predelave motorja se razveljavi EU-homologacija tega izdelka.

---

## Škoda izdelka

Za škodo na izdelku ne odgovarjamo, če:

- Izdelek ni pravilno popravljen.
  - Izdelek je popravljen z deli, ki jih ni izdelal ali odobril proizvajalec.
  - Na izdelku je nameščena dodatna oprema, ki je ni izdelal ali odobril proizvajalec.
  - Izdelek ni bil popravljen v pooblaščenem servisnem centru ali pri pooblaščenem organu.
- 

## Varnost

### Varnostne definicije

Opozorila, svarila in opombe opozarjajo na posebej pomembne dele priročnika.



**OPOZORILO:** Se uporabi, če obstaja nevarnost telesne poškodbe ali smrti uporabnika ali opazovalcev ob neupoštevanju navodil v tem priročniku.

---



**POZOR:** Se uporabi, če obstaja nevarnost poškodbe izdelka, drugih materialov ali okolice ob neupoštevanju navodil v tem priročniku.

---

**Opomba:** Se uporabi za podajanje podrobnejših informacij, potrebnih v dani situaciji.

---

### Splošna varnostna navodila



**OPOZORILO:** Pred uporabo izdelka preberite navodila v povezavi z opozorili v nadaljevanju.

---

- Ta izdelek je lahko nevaren, če ga ne uporabljate pravilno ali če niste previdni. Če ne upoštevate varnostnih navodil, lahko nastopijo poškodbe ali celo smrt.
- Izdelek med delovanjem ustvarja elektromagnetno polje. To polje lahko v nekaterih pogojih interferira z aktivnimi ali pasivnimi medicinskimi vsadki. Emisije hrupa za oznako okolja v skladu z EU (vključno z zakonodajo avstralske zvezne države New South Wales) ter direktivami in uredbami Združenega kraljestva.
- Vedno bodite previdni in ravnajte razumno. Če niste prepričani, kako upravljati ta izdelek v določeni situaciji, prenehajte z delom in se pogovorite s prodajalcem Husqvarna.
- Ne pozabite, da je uporabnik odgovoren za nesreče, ki jih povzročijo drugim ljudem ali njihovi lastnini.
- Izdelek redno čistite. Pozorno preberite znake in nalepke.

- Ne dovolite osebi, ki ni prebrala in ne razume vsebine navodil za uporabo, da upravlja ta izdelek.
- Izdelka ne smejo uporabljati otroci.
- Otroci naj ostanejo zunaj delovnega območja. Vedno mora biti prisotna odgovorna odrasla oseba.
- Izdelka ne smejo uporabljati osebe, ki ne poznajo navodil za uporabo.
- Če izdelek uporabljajo osebe z zmanjšanimi fizičnimi ali intelektualnimi sposobnostmi, jih nenehno nadzorujte. Vedno mora biti prisotna odgovorna odrasla oseba.
- Izdelka ne uporabljajte, ko ste utrujeni, bolni, ali pod vplivom alkohola, drog ali zdravil. To negativno vpliva na vaš vid, pozornost, koordinacijo in presojo.
- Ne uporabljajte izdelkov, ki so poškodovani ali ne delujejo pravilno.
- Izdelka ne spreminjajte ali uporabljajte, če obstaja možnost, da so ga spremenile tretje osebe.
- Ne spreminjajte nastavitve števila vrtljajev motorja.

### Varnost delovnega področja



**OPOZORILO:** Pred uporabo izdelka preberite navodila v povezavi z opozorili v nadaljevanju.

---

- Z delovnega območja pred začetkom dela odstranite predmete, kot so veje, vejice in kamni.
  - Predmeti, ki pridejo v kontakt z rezalno opremo, lahko odletijo in poškodujejo osebe in ostale predmete. Opazovalci in živali naj bodo na varni razdalji od izdelka.
  - Izdelka nikoli ne uporabljajte v slabem vremenu, kot je megla, dež, močan veter, izreden mraz ter nevarnost strele. Če izdelek uporabljate v slabem vremenu ali v vlažnih ali mokrih okoljih, vas bo to utrudilo. Slabo vreme lahko povzroči nevarne pogoje, kot je spolzka podlaga.
  - Bodite pozorni na osebe, predmete in situacije, ki lahko preprečijo varno obratovanje izdelka.
  - Bodite pozorni na ovire, kot so korenine, kamni, veje, jame in jarki. Visoka trava lahko prekriva ovire.
  - Košnja trave na pobočju je lahko nevarna. Izdelka ne uporabljajte na pobočjih z naklonom, večjim od 15°.
-

- Izdelek uporabljajte prečno na pobočje. Ne premikajte se navzgor in navzdol.
- Bodite previdni, kadar se približujete kotom in predmetom, ki omejujejo pogled.

## Varnost pri delu



**OPOZORILO:** Pred uporabo izdelka preberite navodila v povezavi z opozorili v nadaljevanju.

- Ta izdelek uporabljajte izključno za košnjo trave. Ne uporabljajte ga za druga opravila.
- Uporabljajte osebno zaščitno opremo. Glejte *Osebna zaščitna oprema na strani 330*.
- V zasilnem primeru morate znati motor hitro izklopiti.
- Motorja nikoli ne vklopite v zaprtem prostoru ali v bližini vnetljivega materiala. Izpušni plini iz motorja so vroči in lahko vsebujejo iskre, ki lahko povzročijo požar.
- Izdelka ne uporabljajte, če rezilo in vsi pokrovi niso nameščeni pravilno. Nepravilno nameščeno rezilo lahko odleti in povzroči poškodbe.
- Pazite, da rezilo ne udarja ob predmete, npr. kamenje in korenine. To lahko poškoduje rezilo in ukrovi motorno gred. Zvita os povzroča vibracije in zelo visoko tveganje, da rezilo odleti.
- Če rezilo trči ob predmet ali začitne vibracije, izdelek nemudoma izklopite. S svečke odstranite vžigalni kabel. Preglejte, ali je izdelek morda poškodovan. Poškodbe popravite ali pa popravilo prepustite pooblaščenemu serviserju.
- Ročico zavore motorja nikoli ne pritrdite trajno na ročaj, ko je motor obratuje.
- Izdelek vklopite na stabilni in ravni podlagi. Prepričajte se, da rezilo ne trči ob tla ali druge predmete.
- Vedno bodite za izdelkom, ko ga upravljate.
- Ko upravljate izdelek, morajo biti vsa kolesa na tleh, prav tako pa imejte na ročaju obe roki. Roke in noge držite stran od vrtljivih rezil.
- Pri delujočem motorju izdelka nikoli ne nagibajte.
- Ko izdelek potegnete nazaj, bodite previdni.
- Izdelka ne dvigajte, ko motor deluje. Če morate izdelek dvigniti, motor izklopite in s svečke odstranite vžigalni kabel.
- Med uporabo izdelka ne hodite vzvratno.
- Izklopite motor, ko se premikate prek področij brez trave, npr. poti iz gramoza, kamna in asfalta.
- Pri delujočem motorju ne tecite z izdelkom. Pri uporabi tega izdelka vedno hodite.
- Preden spreminjate višino reza, ustavite motor. Ne izvajajte prilagoditev, ko motor deluje.
- Ko je motor vklopljen, imejte izdelek vedno v pogledu. Motor izklopite in se prepričajte, da se rezalna oprema ne vrti.

## Varnostna navodila za uporabo

### Osebna zaščitna oprema



**OPOZORILO:** Pred uporabo izdelka preberite navodila v povezavi z opozorili v nadaljevanju.

- Osebna zaščitna oprema ne more popolnoma preprečiti poškodb, vendar v primeru nesreče omili posledice. Prodajalec naj vam pomaga izbrati ustrezno opremo.
- Če je moč hrupa višja od 85 dB, uporabljajte zaščitno opremo za sluh.
- Uporabite trpežno obutev, ki ne drsi. Ne bodite bosi ali nosite odprtih čevljev.
- Oblečene imejte trpežne, dolge hlače.
- Po potrebi uporabite zaščitne rokavice, npr. kadar pritrjujete, pregledujete ali čistite rezalno opremo.

### Varnostne naprave na izdelku



**OPOZORILO:** Pred uporabo izdelka preberite navodila v povezavi z opozorili v nadaljevanju.

- Ne uporabljajte izdelka z varnostnimi napravami, ki so poškodovane ali ne delujejo pravilno.
- Redno preverjajte varnostne naprave. Če so varnostne naprave poškodovane ali ne delujejo pravilno, se obrnite na servisnega zastopnika Husqvarna.
- Ne spreminjajte varnostnih naprav.

### Preverjanje pokrova rezila

Pokrov rezila zmanjšuje moč vibracij v izdelku in zmanjšuje nevarnost poškodb, katerih vzrok bi lahko bilo rezilo.

- Preglejte pokrov rezila in se prepričajte, da nima poškodb, kot so razpoke.

### Preverjanje ročice zavore motorja

Ročica zavore motorja izklopi motor. Ko je ročica zavore motorja sproščena, se motor ustavi.

- Zaženite motor in nato sprostite ročico zavore motorja. Če se motor ne izklopi v 3 sekundah, peljite izdelek k pooblaščenemu serviserju Husqvarna, da nastavi zavoro motorja. (Sl. 16)

### Dušilnik

Dušilnik zmanjšuje raven hrupa na najnižjo možno raven in odvaja izpušne pline stran od uporabnika.

Izdelka ne uporabljajte, če dušilnik ni nameščen ali je poškodovan. Poškodovan dušilnik zviša nivo hrupa in poveča nevarnost požara.



**OPOZORILO:** Dušilnik se med in po uporabi ter med delovanjem motorja v prostem teku zelo segreje. V bližini vnetljivih materialov in/ali hlapov bodite previdni, da preprečite požar.

## Varnost pri delu z gorivom



**OPOZORILO:** Pred uporabo izdelka preberite navodila v povezavi z opozorili v nadaljevanju.

- Če so na izdelku ostanki goriva ali motornega olja, izdelka ne zaganjajte. Očistite ostanke goriva/olja in počakajte, da se izdelek posuši.
- Če se z gorivom polijete po obleki, se nemudoma preoblecite.
- Pazite, da goriva ne polijete po telesu, saj lahko pride do poškodb. Če gorivo polijete po telesu, se očistite z milom in vodo.
- Če motor pušča, izdelka ne zaganjajte. Redno preverjajte, ali motor pušča.
- Z gorivom ravnajte previdno. Gorivo je vnetljivo, hlapi pa so eksplozivni, zato lahko pride do poškodb ali smrti.
- Ne vdihavajte hlapov goriva, saj lahko pride do poškodb. Zagotovite zadosten pretok zraka.
- V bližini goriva ali motorja ne kadite.
- Vročih predmetov ne postavljajte v bližino goriva ali motorja.
- Goriva ne dolivajte, ko je motor vklopljen.
- Pred dolivanjem goriva se prepričajte, da je motor ohlajen.
- Pred dolivanjem počasi odprite pokrovček posode za gorivo in previdno sprostite pritisk.
- Goriva ne dolivajte v zaprtih prostorih. Nezadosten pretok zraka lahko povzroči poškodbe ali smrt zaradi zadušitve ali zastrupitve z ogljikovim monoksidom.
- Skrbno privijte pokrovček posode za gorivo. Če pokrovček posode za gorivo ni dobro zatesnjen, obstaja nevarnost požara.

- Preden izdelek vklopite, ga premaknite najmanj 3 m/10 čevljev stran od mesta, kjer ste napolnili posodo za gorivo.
- Posode za gorivo ne napolnite do konca. Gorivo se razširi zaradi vročine. Pustite prazen prostor na vrhu posode za gorivo.
- Izdelka nikoli ne shranjujte, napoljenega z gorivom, v zgradbi s prisotnimi viri vžiga, na primer grelniki za toplo vodo, grelniki prostora ali sušilniki oblačil. Pred shranjevanjem izdelka v zaprt prostor počakajte, da se motor ohladi.

## Varnostna navodila za vzdrževanje



**OPOZORILO:** Pred uporabo izdelka preberite navodila v povezavi z opozorili v nadaljevanju.

- Izpušni plini vsebujejo ogljikov monoksid iz motorja, ki je brezbarven, strupen in zelo nevaren plin. Motorja ne vklopite v zaprtih prostorih.
- Preden začnete z vzdrževanjem izdelka, ustavite motor in s svečke odstranite vžigalni kabel.
- Pri vzdrževanju rezalne opreme uporabite zaščitne rokavice. Rezilo je izjemno ostro, zato lahko hitro pride do ureznin.
- Dodatki in spremembe izdelka, ki niso odobrene s strani proizvajalca, lahko vodijo k resnim poškodbam ali celo v smrt. Ne spreminjajte izdelka. Vedno uporabljajte samo dodatke, ki jih je odobril proizvajalec.
- Če izdelka ne vzdržujete pravilno in redno, se poveča nevarnost poškodb osebam in izdelku.
- Vzdrževanje opravite tako, kot piše v teh navodilih za uporabo. Vsakršno drugačno vzdrževanje mora opraviti osebje pooblaščen servisne delavnice Husqvarna.
- Redno dovolite osebju pooblaščen servisne delavnice Husqvarna izvajati vzdrževalna dela.
- Zamenjajte poškodovane, obrabljene ali zlomljene dele.

## Montaža

### Montaža ročice

1. Potisnite vijak (A) skozi ročaj (B), plastično podložko (C) in podporni nosilec ročaja (D). (Sl. 17)
2. Do konca zategnite matico (E).
3. Potisnite vijak (F) skozi podložko (G) in podporni nosilec ročaja.
4. Do konca zategnite gumbni vijak (H).
5. Odprtine v ročaju poravnajte z odprtinami v spodnjem delu ročaja ter namestite vijaka, podložki in gumbna vijaka. Popolnoma zategnite gumbne vijake. (Sl. 18)

6. S priloženimi veznimi elementi pletenice pritrdite na ročaj. (Sl. 19)

**Opomba:** Ne pritrdite jih preveč na tesno, da ne bodo prenapete. Če so pletenice preveč napete, lahko pride do poškodb, ko ročaj preklopite v položaj za transport.

7. Pletenice ovijte okoli kavlja na spodnji strani ročaja. (Sl. 20)

### Nastavitev višine ročice

1. Sprostite spodnja gumbna vijaka. (Sl. 21)

2. Odstranite gumbna vijaka, podložki in vijaka na levi in desni strani.
3. Ročico lahko nastavite na 2 različni višini. Vijak vstavite v eno od 2 odprtín na levi in desni strani. (Sl. 22)
4. Privijte vijake, podložke in gumbne vijake.
5. Premaknite gumbna vijaka do konca navzgor proti ročici, da zaslišite klik. Popolnoma zategnite gumbne vijake. (Sl. 23)

## Nastavitev kosilnice v transportni položaj

1. Odstranite zbiralnik za travo.
2. Sprostite gumbna vijaka na zgornjem delu ročaja in ročaj preklonite navzdol. (Sl. 24)
3. Sprostite spodnja gumbna vijaka.
4. Gumbna vijaka na levi in desni strani izdelka pomaknite v spodnji del utorov. (Sl. 25)
5. Ročaj preklonite naprej. (Sl. 26)

## Nastavitev kosilnice v delovni položaj

1. Ročaj dvignite, dokler se spodnji del ročaja ne zaskoči v delovnem položaju. (Sl. 27)
2. Premaknite gumbna vijaka do konca navzgor proti ročici, da zaslišite klik.
3. Popolnoma zategnite gumbne vijake. (Sl. 28)
4. Dvignite zgornji del ročaja.
5. Popolnoma zategnite gumbne vijake. (Sl. 29)

## Namestititev zbiralnika za travo

1. Zgornji del zbiralnika za travo namestite na spodnji del zbiralnika za travo. (Sl. 30)
2. Okvir zbiralnika za travo pritrдите z jezički. (Sl. 31)
3. Dvignite zadnji pokrov.
4. Kaveljčke na zbiralniku za travo pritrдите na zgornji rob ohišja. (Sl. 32)
5. Vstavite spodnji del zbiralnika za travo v izpustni kanal za travo.

---

## Delovanje

---

### Uvod



**OPOZORILO:** Pred uporabo izdelka morate prebrati in razumeti poglavje o varnosti.

### Husqvarna Connect

Husqvarna Connect je brezplačna aplikacija za vašo mobilno napravo. Aplikacija Husqvarna Connect omogoča razširitev funkcij vašega izdelka Husqvarna:

- Dodatne informacije o izdelku.
- Informacije o izdelku, delih in servisu ter pomoč.

### Začetek uporabe: Husqvarna Connect

1. V mobilno napravo si prenesite aplikacijo Husqvarna Connect.
2. Registrirajte se v aplikaciji Husqvarna Connect.
3. Za vzpostavitev povezave in registracijo izdelka sledite navodilom v aplikaciji Husqvarna Connect.

### Pred uporabo izdelka

1. Natančno preberite navodila za uporabo in se prepričajte, da ste jih razumeli.
2. Preglejte rezalno opremo in se prepričajte, da je pravilno pritrjena in nastavljena. Glejte *Kako pregledati rezalno opremo na strani 334*.
3. Napolnite rezervoar za gorivo. Glejte *Dolivanje goriva na strani 332*.
4. Napolnite rezervoar olja in preverite nivo olja. Glejte *Preverjanje nivoja olja na strani 335*.

### Dolivanje goriva

Če je na voljo, uporabite bencin z nizko stopnjo emisij/alkilatno gorivo. Če gorivo z nizkoemisijskim razredom/alkilatno gorivo ni na voljo, uporabite neosvinčeno gorivo dobre kakovosti ali osvinčeno gorivo, ki ima najmanj 91 oktanov.



**POZOR:** Ne uporabljajte bencina, ki ima oktansko število nižje od 91 RON. Izdelek se lahko tako poškoduje.



**POZOR:** Filter goriva zamenjajte enkrat letno ali po potrebi pogosteje. Nov filter za gorivo je na voljo pri pooblaščenem prodajalcu Husqvarna.



**POZOR:** Pred dolivanjem goriva obvezno ugasnite motor.



**POZOR:** Ne uporabljajte tekočin za zagon pod tlakom.

1. Počasi odprite pokrovček posode za gorivo, da sprostite pritisk.
2. Napolnite počasi s posodo za gorivo. Če gorivo poljete, ga pobrišite s krpo in pustite, da se preostalo gorivo posuši. (Sl. 33)
3. Očistite področje okrog pokrovčka posode za gorivo.

4. Skrbno privijte pokrovček posode za gorivo. Če pokrovček posode za gorivo ni dobro zatesnjen, obstaja nevarnost požara.
5. Preden izdelek vklopite, ga premaknite najmanj 3 m/10 čevljev stran od mesta, kjer ste napolnili posodo za gorivo.

## Nastavitev višine košnje

1. Povlecite ročico za nastavitev višine košnje nazaj, da povečate višino rezanja.
2. Potisnite ročico za nastavitev višine košnje naprej, da znižate višino rezanja. (Sl. 34)



**POZOR:** Ne nastavite višino rezanja prenizko. Rezila lahko trčijo ob tla, če površina travnika ni ravna.

## Zagon izdelka

1. Prepričajte se, da je vžigalni kabel priklopljen na svečko.
2. Ostanite za izdelkom.
3. Ročico zavore motorja držite ob ročaju. (Sl. 35)
4. Z desno roko držite ročico zaganjalne vrvice.
5. Zaganjalno ročico počasi izvlecite, da začutite nekoliko upora.
6. Močno povlecite, da zaženete motor.



**OPOZORILO:** Zaganjalne vrvice ne navijajte okoli zapestja.

## Za pogon koles

- Pogonsko ročico potisnite v smer ročaja. (Sl. 36)
- Sprostite pogonsko ročico, da izklopite pogon, npr. ko ste blizu ovire.
- Preden izdelek povlečete vzvratno, sprostite pogonsko ročico in izdelek potisnite naprej približno 10 cm.

## Kako izklopiti izdelek

- Če želite izklopiti samo pogon, sprostite pogonsko ročico.
- Če želite izklopiti motor, sprostite ročico zavore motorja.

## Kako doseči dober rezultat

- Vedno uporabljajte ostra rezila. Če uporabljate topo rezilo, bo trava pokošena neenakomerno, ob zarezah pa lahko postane tudi rumena. Ostro rezilo prav tako porabi manj energije kot topo rezilo.
- Ne odrežite več kot tretjino dolžine travnih bilk. Najprej kosite z visoko nastavitvijo višine košnje. Preglejte rezultat in nastavite višino košnje na ustrezno višino. Če je trava zelo visoka, vozite počasi in po potrebi kosite dvakrat.
- Vsakič kosite v različnih smereh, da se na travi ne bi pojavile črte.
- Pokrov kosišča mora biti čist. Obloge iz trave in umazanije na notranji strani pokrova kosišča lahko zmanjša učinkovitost košnje. Glejte *Kako očistiti notranjo površino pokrova rezila na strani 334.*

## Vzdrževanje

### Uvod



**OPOZORILO:** Pred izvajanjem vzdrževalnih del morate prebrati in razumeti poglavje o varnosti.

Za servisiranje in popravila na izdelku posebno usposabljanje ni potrebno. Zagotavljamo, da vam bodo na voljo strokovna popravila in servisiranje. Če vaš prodajalec ni pooblaščen serviser, ga povprašajte, kje je naslednja najbližja pooblaščen servisna delavnica.

Za več informacij glejte .

### Urnik vzdrževanja



**POZOR:** Ko izdelek nagibate mora biti zračni filter na zgornji strani in ne sme biti bližje tlom. Nevarnost poškodb motorja.

Izračunani intervali vzdrževanja veljajo za vsakodnevno uporabo izdelka. Intervali se spremenijo, če izdelek ne uporabljate vsakodnevno.

Vzdrževalni posegi, označeni z \*, veljajo za navodila v *Varnostne naprave na izdelku na strani 330.*

Vzdrževanje	Dnevno	Mesečno	Vsako sezono
Opravite splošen pregled	X		
Preverite nivo olja	X		

Vzdrževanje	Dnevno	Mesečno	Vsako sezono
Zamenjajte olje (prvič po 5 urah uporabe, potem po vsakih 50 urah uporabe) <sup>162</sup>			X
Izdelek očistite	X		
Preglejte rezalno opremo	X		
Preglejte pokrov rezila *	X		
Preglejte ročico zavore motorja *	X		
Preglejte dušilnik *		X	
Preglejte svečko. Po potrebi očistite ali zamenjajte svečko.			X
Preglejte zračni filter	X		
Očistite zračni filter <sup>163</sup>		X	
Zamenjajte zračni filter			X
Preglejte sistem za gorivo			X
Očistite hladilna rebra na valju.		X	
Preglejte in nastavite žico za sklopko (LC 140SP)			X

## Izvajanje splošnih pregledov

- Prepričajte se, da so vse matice in vijaki na izdelku ustrezno pritrjeni.

## Kako čistiti zunanost izdelka

- S krtačo odstranite listje, travo in umazanijo.
- Prepričajte se, da dovod zraka na vrhu motorja ni oviran.
- Izdelka ne čistite z visokotlačnim čistilnikom.
- Če izdelek operete z vodo, pazite, da voda ne teče neposredno na motor.

## Kako očistiti notranjo površino pokrova rezila

1. Izpraznite posodo za gorivo.
2. Nagnite izdelek. Prepričajte se, da je vžigalna svečka obrnjena navzgor.



**POZOR:** Če položite izdelek na stran tako, da je na tleh zračni filter, lahko poškodujete motor.

3. Izperite notranjo površino pokrova rezila z vodo.

## Kako pregledati rezalno opremo



**OPOZORILO:** Odstranite vžigalni kabel s svečke, da preprečite naključni vklop motorja.



**OPOZORILO:** Pri vzdrževanju rezalne opreme uporabite zaščitne rokavice. Rezilo je izjemno ostro, zato lahko hitro pride do uresnjen.

1. Preverite, ali je rezalna oprema poškodovana oziroma razpokana. Če je rezalna oprema poškodovana, jo zamenjajte.
2. Preverite, ali je rezilo poškodovano ali topo.

**Opomba:** Rezilo morate po brušenju postaviti v ravnovesje. Izdelek peljite na servisni center, da rezilo nabrusijo, zamenjajo in uravnovesijo. Če trčite ob oviro in se izdelek ustavi, zamenjajte poškodovano rezilo. Pooblaščen servisna delavnica naj oceni, ali lahko rezilo izostrijo ali pa ga je treba zamenjati.

## Zamenjava rezil

1. Rezilo blokirajte z leseno klado. (SI. 37)

<sup>162</sup> Če izdelek uporabljate z veliko obremenitvijo ali pri visokih temperaturah okolja, zamenjajte motorno olje vsakih 25 ur.

<sup>163</sup> Pogosteje čistite v prašnih razmerah ali ko so prisotni delci v zraku. Če je zračni filter zelo umazan, ga zamenjajte.

2. Odstranite vijak rezila in vzmetno podložko.
3. Odstranite rezilo.
4. Preverite, ali sta nosilec in vijak rezila poškodovana.
5. Preglejte, ali je motorna gred zvita.
6. Ko pritrdite novo rezilo, usmerite nagnjene strani rezila v smer pokrova rezila. (Sl. 38)
7. Prepričajte se, da je rezilo poravnano s središčem motorne gredi.
8. Rezilo blokirajte z leseno klado. Pritrdite podložko vzmeti in privijte vijak in podložko z zateznim momentom 45–60 Nm. (Sl. 39)
9. Ročno zavrtite rezilo in se prepričajte, da se prosto obrača.



**OPOZORILO:** Nosite trpežne rokavice. Rezilo je izjemno ostro, zato lahko hitro pride do uresnin.

10. Izdelek vklopite, da preizkusite rezilo. Če rezilo ni pritrjeno pravilno, bo izdelek vibriral, rezultat košnje pa ne bo zadovoljiv.

## Preverjanje nivoja olja



**POZOR:** Če je nivo olja prenizek, se lahko poškoduje motor. Preden zaženete izdelek, preverite nivo olja.

1. Izdelek naj bo na ravnih tleh.
2. Odstranite pokrovček posode za olje in priloženo merilno palico.
3. Z merilne palice očistite olje.
4. Za izmero pravilnega nivoja olja vstavite merilno palico do konca v posodo za olje. Ne namestite pokrovčka posode za olje.
5. Odstranite pokrovček posode za olje in priloženo merilno palico.
6. Na merilni palici preučite nivo olja.
7. Če je nivo olja nizek, dolijte motorno olje in še enkrat preverite nivo olja. (Sl. 40)

**Opomba:** Uporabite lijak, da preprečite razlitje.

8. Ko je nivo olja pravilen, namestite pokrovček posode za olje.

## Zamenjava motornega olja



**OPOZORILO:** Tik po zaustavitvi motorja je motorno olje zelo vroče. Preden iztočite motorno olje, se motor mora ohladiti. Če polijete motorno olje po koži, se umijte z milom in vodo.

(Sl. 41)

1. Izdelek uporabljajte, dokler imate v rezervoarju gorivo.
2. S svečke odstranite vžigalni kabel.
3. Odstranite pokrovček posode za olje in priloženo merilno palico.
4. Pod izdelek postavite posodo, kamor se bo izteklo motorno olje.
5. Nagnite izdelek ali iztočite motorno olje iz posode za olje z oljno črpalko (dodatna oprema).
6. Dolijte novo motorno olje. Priporočeno vrsto si oglejte v *Tehnični podatki na strani 338*.
7. Preverite nivo olja. Glejte *Preverjanje nivoja olja na strani 335*.
8. Ko je nivo olja pravilen, namestite pokrovček posode za olje.

## Kako očistiti filter iz penjene plastike



**POZOR:** Če je zračni filter odstranjen, se motor ne bo zagnal. Če je zrak umazan, se zračni filter hitreje obrabi.

1. Odstranite pokrov zračnega filtra (A). (Sl. 42)
2. Odstranite filter iz penjene plastike (B).



**POZOR:** Preverite, ali je filter iz penjene plastike poškodovan ali obrabljen. Zamenjajte vse poškodovane filtre iz penjene plastike.

3. Filtre iz penjene plastike sčistite z milom in vodo.
4. Filtre iz penjene plastike izperite s čisto vodo.
5. Iztisnite vodo iz filtrov iz penjene plastike in jih pustite, da se posuši.



**POZOR:** Ne uporabljajte stisnjeneга zraka. Ta lahko poškoduje filter iz penjene plastike.

6. Filtri iz penjene plastike namažite z motornim oljem.
7. Ob filter iz penjene plastike pritisnite čisto krpo, da vsrka odvečno olje.
8. Odstranite filter iz penjene plastike. Prepričajte se, da se filtre iz penjene plastike tesno prilega nosilcu zračnega filtra.
9. Namestite pokrov zračnega filtra.

## Preverjanje svečke



**POZOR:** Vedno uporabljajte priporočeno vrsto vžigalne svečke. Zaradi neustrezne vrste vžigalne svečke se izdelek lahko poškoduje.

- Če se moč motorja zmanjša, motorja ni mogoče enostavno zagnati ali ta ne deluje ustrezno v prostem teku, preverite vžigalno svečko.
- Tveganje za pojav oblog na elektrodah vžigalne svečke lahko zmanjšate tako, da upoštevate ta navodila:
  - a) Hitrost prostega teka mora biti pravilno nastavljena.
  - b) Mešanica goriva mora biti ustrezna.
  - c) Zračni filter mora biti čist.
- Če je vžigalna svečka umazana, jo očistite in zagotovite, da je razmak med elektrodama ustrezen; glejte *Tehnični podatki na strani 338*. (Sl. 43)
- Vžigalno svečko po potrebi zamenjajte.

## Kako pregledati sistem za gorivo

- Preverite, ali sta pokrov rezervoarja za gorivo in tesnilo pokrova rezervoarja za gorivo poškodovana.
- Preverite, ali cev za gorivo pušča. Če je cev za gorivo poškodovana, naj jo pooblaščen servisna delavnica zamenja.

## Izpraznitev posode za gorivo

1. Pod posodo za gorivo postavite posodo.
2. Odstranite pokrovček posode za gorivo.
3. Objemko na cevi za gorivo potisnite ob uplinjalnik.
4. Odstranite cev za gorivo z uplinjalnika.
5. Cev posode za gorivo odložite v posodo in odstranite objemko cevi.
6. Nagnite izdelek in gorivo iztočite v posodo.

## Zamenjava filtra goriva



**OPOZORILO:** Uporabljajte zaščitne rokavice.

1. Izpraznite rezervoar za gorivo.
2. Objemko cevi odmaknite od posode za gorivo. (Sl. 44)
3. Cev za gorivo odstranite s posode za gorivo. Izteče lahko manjša količina goriva. (Sl. 45)
4. Filter za gorivo odstranite iz posode za gorivo. (Sl. 46)
5. V posodo za gorivo namestite nov filter za gorivo.
6. Cev za gorivo namestite na posodo za gorivo.
7. Objemko cevi namestite v prvotni položaj ob posodi za gorivo.

## Kako nastaviti pletenico sklopke (LC 140SP)

V naslednjih primerih je treba pletenico sklopke skrajšati:

- Ko potegnete pogonsko ročico ali ročico za nadzor hitrosti, se pogon koles ne aktivira.
- Ko je pogon koles aktiviran, se izdelek premika počasi.

V naslednjih primerih je treba pletenico sklopke podaljšati:

- Izdelek se premika, ko pogon koles ni aktiviran.
- Nastavite pletenico sklopke.
  - a) Če želite skrajšati pletenico sklopke, nastavitveni vijak obračajte v nasprotni smeri urinega kazalca.
  - b) Če želite pletenico sklopke podaljšati, nastavitveni vijak obračajte v smeri urinega kazalca. (Sl. 47)

Če vožnja izdelka tudi po nastavitvi ni primerna, se obrnite na servisnega zastopnika.

## Odpravljanje težav z motorjem

Težava	Možen vzrok	Rešitev
Motorja ni mogoče zagnati.	Vžigalni kabel ni pravilno priključen.	Vžigalni kabel priklopite na svečko.
	Rezervoar za gorivo je prazen.	Rezervoar za gorivo napolnite z ustrezno vrsto goriva.
	Gorivo je staro.	Iztočite rezervoar za gorivo in uplinjalnik. Dolijte novo gorivo.
	V uplinjalniku ali vodu za gorivo je umazanija.	Očistite uplinjač in/ali vod za gorivo.
	Vžigala svečka je poškodovana.	Nastavite razmak med elektrodama, očistite ali pa zamenjajte svečko.
	Na vžigalnikih svečki je prisotno gorivo.	Očistite svečko.



Težava	Možen vzrok	Rešitev
Motorja ni mogoče zaustaviti.	Zaustavitev stroja ne deluje pravilno.	S svečke odstranite vžigalni kabel. Po pravilo izdelka naj izvede pooblaščen servisna delavnica.
Motor ne deluje gladko.	Vžigalni kabel ni pravilno priključen.	Vžigalni kabel priklopite na svečko.
	V vodu za gorivo je umazanija ali pa je izteklo gorivo.	Očistite vod za gorivo. V rezervoar za gorivo nalijte novo gorivo ustreznega tipa.
	V pokrovu rezervoarja za gorivo je prisotna zamašitev.	Očistite pokrovček rezervoarja za gorivo.
	V sistemu goriva je voda ali umazanija.	Izpraznite rezervoar za gorivo. V rezervoar za gorivo nalijte novo gorivo ustreznega tipa.
	Zračni filter je umazan.	Očistite zračni filter.
	Uplinjač je treba nastaviti.	Pustite, da servisni zastopnik nastavi uplinjač.
Motor se pregreva.	Nivo motornega olja je prenizek.	Dolijte motorno olje.
	Pretok zraka ni zadosten.	Očistite zračni filter in ohišje zračnega filtra.
	Uplinjač je treba nastaviti.	Pustite, da servisni zastopnik nastavi uplinjač.
Pri delovanju motorja z visoko hitrostjo je prisotno nepopolno zgorevanje.	Razmak elektrod v svečki je premajhen.	Prilagodite razmak med elektrodama.
Nenavadni zvoki motorja pri normalni obremenitvi.	Neustrezna vrsta bencina.	Iztočite rezervoar za gorivo in uplinjalnik. Dolijte novo gorivo. Glejte, <i>Dolivanje goriva na strani 332</i> . Če napake ne morete odpraviti, se obrnite na lokalnega servisnega zastopnika.
Motor pri hitrosti prostega teka ne deluje pravilno.	Vžigalna svečka je umazana, poškodovana ali pa je razmak elektrod preširok.	Nastavite razmak med elektrodama ali pa zamenjajte svečko.
	Uplinjač je treba nastaviti.	Nastavite uplinjač.
	Zračni filter je umazan.	Očistite zračni filter.

## Transport skladiščenje in odstranitev

### Prevoz in skladiščenje

- Preden prevažate in skladiščite izdelek in gorivo, se prepričajte, da izdelek ne pušča in da ni hlapov. Iskre ali odprti plamen, npr. z električnih naprav ali kotlov, lahko zanetijo ogenj.
- Za prevoz in skladiščenje goriva vedno uporabite odobrene posode.
- Preden izdelek skladiščite za daljše obdobje, izpraznite rezervoar za gorivo. Gorivo zavrzite na temu primernem zbirnem mestu.

- Izdelek varno pritrdite na prevozno sredstvo, da se izognete poškodbam in nesrečam.
- Izdelek skladiščite v zaklenjenem prostoru, tako da otroci ali osebe, ki niso primerne za rokovanje z izdelkom, do izdelka ne morajo dostopati.
- Izdelek skladiščite na suhem mestu, kjer ne zmrzuje.

### Odstranitev

- Upoštevajte lokalne zahteve za recikliranje in ustrezne predpise.

- Vse kemikalije, kot so motorno olje ali gorivo, zavržite na servisnem centru ali na kakšni drugi temu primerni lokaciji.

- Ko izdelka ne uporabljate več, ga pošljite k prodajalcu Husqvarna ali pa ga zavržite na mestu za recikliranje.

## Tehnični podatki

### Tehnični podatki

	LC 140P	LC 140SP
<b>Motor</b>		
Znamka	Husqvarna	Husqvarna
Ime modela motorja	HS 123A	HS 123A
Tip motorja	Enojni valj, 4-taktni, prisilno hlajenje z zrakom, OHV	Enojni valj, 4-taktni, prisilno hlajenje z zrakom, OHV
Prostornina, cm <sup>3</sup>	123	123
Hitrost v vrt./min	3000	3000
Nazivna izhodna moč motorja v kW <sup>164</sup>	1,95	1,95
<b>Vžigalni sistem</b>		
Svečka	Husqvarna HQT-7	Husqvarna HQT-7
Razmak med elektrodama, mm	0,7-0,8	0,7-0,8
<b>Sistem za gorivo in mazanje</b>		
Vrsta maziva za motor	Pršenje	Pršenje
Prostornina posode za gorivo, litri	0,9	0,9
Prostornina posode za olje, litri	0,5	0,5
Motorno olje <sup>165</sup>	Husqvarna SAE 30, Husqvarna SAE 5W-30 Synthetic, Husqvarna SAE 10W-40	Husqvarna SAE 30, Husqvarna SAE 5W-30 Synthetic, Husqvarna SAE 10W-40
<b>Teža</b>		
S praznimi posodami v kg	25,2	26,8
<b>Emisije hrupa</b> <sup>166</sup>		
Raven zvočne moči, izmerjena, dB(A)	93	93
Raven zvočne moči, zajamčena, L <sub>WA</sub> v dB(A)	94	94

<sup>164</sup> Navedena vrednost moči stroja je povprečni skupni izhod (pri določenem številu vrtljajev na minuto) običajnega proizvodnega stroja za model stroja, izmerjen po standardu SAE J1349/ISO1585. Stroji masovne proizvodnje imajo lahko drugačno vrednost. Dejanska moč izdelka, nameščenega na končni napravi, je odvisna od delovne hitrosti, okoljskih pogojev in drugih vrednosti.

<sup>165</sup> Uporabljajte le motorna olja razreda API SJ ali višjih. Če olje SAE-30 uporabljate pri temperaturah, nižjih od 5 °C, obstaja nevarnost, da motor ne bo dovolj namazan. Ob tem lahko pride do poškodb motorja. Pravilno olje za nizke temperature je navedeno v poglavju *Zamenjava motornega olja na strani 335*. Glejte tabelo razredov viskoznosti v navodilih za uporabo motorja (če so priložena) in izberite najprimernejšo viskoznost olja glede na pričakovano zunanjo temperaturo.

<sup>166</sup> Emisije hrupa v okolje, merjene kot moč zvoka (L<sub>WA</sub>), v skladu z direktivo ES 2000/14/ES.

	LC 140P	LC 140SP
<b>Nivoji hrupa</b> <sup>167</sup>		
Raven zvočnega tlaka pri uporabnikovem ušesu v dB (A)	82	82
<b>Ravni vibracij</b> <sup>168</sup>		
Raven vibracij ročaja, m/s <sup>2</sup>	5,6	7,6
<b>Rezalna oprema</b>		
Višina reza v mm	25–75	25–75
Širina rezanja, mm	400	400
Rezalni sistem	Zbiranje/izmet na zadnji strani	Zbiranje/izmet na zadnji strani
Rezila – standardna	Zbirka 5873863-10	Zbirka 5873863-10
Prostornina zbiralnika za travo, litri	50	50
<b>Pogon</b>		
Hitrost samohodnega pogona, km/h	–	4

<sup>167</sup> Zabeleženi podatki za nivo zvočnega tlaka imajo tipično statistično razpršitev (standardni odklon) 1,2 dB (A).

<sup>168</sup> Zabeleženi podatki za raven vibracij imajo tipično statistično razpršitev (standardni odklon) 0,2 m/s<sup>2</sup>.

## Izjava o skladnosti

### Izjava EU o skladnosti

Mi, **Husqvarna AB**, SE--561 82 Huskvarna, Švedska,  
tel.: +46-36-146500, izjavljamo na lastno odgovornost,  
da je izdelek:

<b>Opis</b>	Vrtna kosilnica
<b>Znamka</b>	Husqvarna
<b>Vrsta/model</b>	LC 140P, LC 140SP
<b>Identifikacija</b>	Serijske številke od letnika 2022 dalje

v celoti skladen z naslednjimi direktivami in uredbami  
EU:

<b>Uredba</b>	<b>Opis</b>
2006/42/ES	"o strojih"
2014/30/EU	"o elektromagnetni združljivosti"
2000/14/EC	"o emisijah hrupa v okolico"
2011/65/EU	"o omejevanju uporabe nekaterih nevarnih snovi v električni in elektronski opremi"

in so pri tem v veljavi naslednji standardi in/ali tehnične  
specifikacije: EN ISO 5395-1:2013/A1:2018, EN ISO  
5395-2:2013/A1:2016/A2:2017, EN ISO 14982:2009, EN  
IEC 63000:2018

Priglašeni organ: 0404, RISE SMP Svensk  
Maskinprovning AB, Box 4053, SE-904 03 Umeå,  
Sweden, je potrdil skladnost z direktivo Sveta  
2000/14/ES, postopki ugotavljanja skladnosti: Priloga VI.

Za informacije v zvezi z emisijami hrupa glejte poglavje  
*Tehnični podatki na strani 338.*

Huskvarna, 2022-09-27



Claes Losdal, Vodja oddelka za razvoj vrtno opreme,  
Husqvarna AB

Odgovorni za tehnično dokumentacijo



---

## Sadržaj

---

Uvod.....	341	Rešavanje problema sa motorom.....	350
Bezbednost.....	342	Transport, skladištenje i odlaganje.....	351
Sklapanje.....	344	Tehnički podaci.....	351
Rukovanje.....	345	Deklaracija o usaglašenosti.....	353
Održavanje.....	346		

---

## Uvod

---

### Opis proizvoda

Proizvod je rotaciona kosačica koju kontroliše rukovalac. Trava se sakuplja u hvatač trave. Uklonite hvatač trave kako biste omogućili pražnjenje trave na zadnjoj strani.

### Pregled proizvoda

(Sl. 1)

1. Ručka/upravljač
2. Pritiskivač pogona (LC 140SP)
3. Ručica užeta startera
4. Hvatač trave
5. Rezervoar za gorivo
6. Filter za vazduh
7. Svećica
8. Poklopac košenja
9. Prigušivač
10. Poklopac rezervoara za ulje
11. Poluga visine košenja
12. Zadnji poklopac
13. Ručica kočnice motora
14. Simboli
15. Sklop donje ručke
16. Donja ručica
17. Korisničko uputstvo
18. Levak za ulje

### Simboli na proizvodu

- (Sl. 2) **UPOZORENJE!** Budite pažljivi i koristite proizvod na pravilan način. Ovaj proizvod može prouzrokovati teške telesne povrede ili smrt rukovaoca i drugih osoba.
- (Sl. 3) Pre upotrebe, pažljivo pročitajte korisničko uputstvo i budite sigurni da ste ga razumeli.
- (Sl. 4) Pazite na odbačene predmete i odskakivanja.
- (Sl. 5) Pazite da ljudi i životinje budu na bezbednoj udaljenosti od radnog područja.

### Namena

Koristite proizvod za košenje trave. Nemojte koristiti proizvod za druge zadatke.

- (Sl. 6) **Upozorenje:** Udaljite šake i stopala od rotirajućeg noža.
- (Sl. 7) **Upozorenje:** Udaljite šake i stopala od rotirajućih delova.
- (Sl. 8) **Zaustavite motor i uklonite kabl za paljenje pre popravki i održavanja.**
- (Sl. 9) Proizvod je usaglašen sa važećim direktivama EZ.
- (Sl. 10) Oznaka emisije buke u okruženje u skladu sa direktivama i propisima EU i UK i propisom o zaštiti radova u okruženju (kontrola buke) Novog Južnog Velsa iz 2017. Garantovani nivo zvučne snage za ovaj proizvod naveden je u odeljku *Tehnički podaci na stranici 351* i na nalepnici.
- (Sl. 11) Proizvod je usaglašen sa važećim direktivama UK.
- (Sl. 12) Rizik od požara.
- (Sl. 13) Ne udišite izduvne gasove. Izduvni gasovi iz motora sadrže ugljen-monoksid, otrovan i veoma opasan gas bez mirisa. Nemojte puštati motor u rad u zatvorenom prostoru.
- (Sl. 14) Vruća površina.
- (Sl. 15) Napunite motor uljem pre pokretanja proizvoda.

---

**Napomena:** Drugi simboli/oznake na proizvodu odnose se na zahteve za sertifikaciju za određene komercijalne oblasti.

---

## Emisije Euro V.



**UPOZORENJE:** Neovlašćene prepravke motora poništavaju EU tip odobrenja za ovaj proizvod.

---

## Oštećenje proizvoda

Nismo odgovorni za oštećenja proizvoda u sledećim slučajevima:

- proizvod je popravljen na pogrešan način
- proizvod je popravljen korišćenjem delova koji nisu napravljeni ili odobreni od strane proizvođača
- proizvod ima opremu koja ne potiče ili nije odobrena od strane proizvođača
- proizvod nije popravljen u ovlašćenom servisnom centru ili od strane ovlašćenog stručnjaka

---

## Bezbednost

---

### Bezbednosne definicije

Upozorenja, mere opreza i napomene se koriste da ukažu na naročito važne delove korisničkog uputstva.



**UPOZORENJE:** Koristi se ako, usled nepoštovanja uputstava, postoji rizik od nastanka telesnih povreda ili smrti kod rukovaoca ili prisutnih osoba.

---



**OPREZ:** Koristi se ako, usled nepoštovanja uputstava, postoji rizik od nastanka oštećenja na proizvodu, drugim materijalima ili susednim oblastima.

---

**Napomena:** Koristi se za pružanje više informacija koje su neophodne u datoj situaciji.

---

### Opšta bezbednosna uputstva



**UPOZORENJE:** Pročitajte upozoravajuća uputstva koja slede pre korišćenja proizvoda.

---

- Proizvod je opasan ako se koristi na nepravilan način ili ako niste oprezni. Može doći do telesne povrede ili smrti ako se ne pridržavate bezbednosnih uputstava.
- Ovaj proizvod pri radu stvara elektromagnetno polje. Ovo polje u određenim uslovima može da izazove smetnje na aktivnim i pasivnim medicinskim implantatima. Kako bi se smanjio rizik od teških ili smrtnih povreda, preporučujemo osobama koje imaju medicinske implante da se pre upotrebe ovog uređaja konsultuju sa lekarom ili proizvođačem implanta.
- Uvek budite pažljivi i koristite zdrav razum. Ako niste sigurni kako da rukujete proizvodom u određenoj situaciji, prekinite rad i obratite se Husqvarna prodavcu pre nastavka rada.
- Imajte na umu da će se rukovalac smatrati odgovornim za nesrećne slučajeve koji uključuju druge osobe ili njihovu imovinu.

- Održavajte proizvod čistim. Pobrnite se da jasno možete pročitati znakove i nalepnice.
- Nemojte dozvoliti da druga osoba koristi proizvod osim ako se niste uverili da je pročitala i razumela sadržaj korisničkog uputstva.
- Nemojte dozvoliti da dete rukuje proizvodom.
- Vodite računa o tome da deca ne budu u radnom području. Odgovorna odrasla osoba mora biti prisutna sve vreme.
- Ne dozvolite neobučenim osobama da rukuju proizvodom.
- Uvek nadzirite osobu sa smanjenim fizičkim ili mentalnim sposobnostima koja koristi proizvod. Odgovorna odrasla osoba mora biti prisutna sve vreme.
- Nemojte koristiti proizvod kada ste umorni, bolesni ili pod uticajem alkohola, droge ili lekova. To negativno utiče na vaš vid, opreznost, koordinaciju i rasuđivanje.
- Nemojte koristiti uređaj koji je oštećen ili neispravan.
- Nemojte vršiti izmene na proizvodu i nemojte koristiti proizvod ako postoji mogućnost da su druge osobe vršile izmene na njemu.
- Nemojte da menjate podešavanje za kontrolu brzine motora.

### Bezbednost u oblasti rada



**UPOZORENJE:** Pročitajte upozoravajuća uputstva koja slede pre korišćenja proizvoda.

---

- Uklonite predmete kao što su grane, grančice i kamenje iz radnog područja pre nego što počnete da koristite proizvod.
- Predmeti koji udare o opremu za košenje mogu da budu izbačeni i izazovu povredu osoba ili oštećenje predmeta. Pazite da prisutne osobe i životinje budu na bezbednoj udaljenosti od proizvoda.
- Nikada nemojte koristiti proizvod u lošim vremenskim uslovima kao što su magla, kiša, jak vetar, intenzivna hladnoća i kada postoji opasnost od pojave munja. Korišćenje proizvoda u lošim vremenskim uslovima ili na vlažnim lokacijama je

zamorno. Loši vremenski uslovi mogu da izazovu opasne okolnosti, kao što su klizave površine.

- Vodite računa o osobama, predmetima i situacijama koji bi mogli da spreče bezbedan rad proizvoda.
- Pazite na prepreke, kao što su korenje, kamenje, grančice, jame i jarci. Visoka trava može da sakrije prepreke.
- Košenje trave na nagibima može biti opasno. Nemojte koristiti proizvod na terenu koji ima nagib veći od 15°.
- Rukujte proizvodom preko prednjih strana nagiba. Nemojte ga pomerati gore i dole.
- Budite pažljivi kada se približavate skrivenim uglovima i predmetima koji bi mogli da blokiraju vaš vidik.

## Bezbednost na radu



**UPOZORENJE:** Pročitajte upozoravajuća uputstva koja slede pre korišćenja proizvoda.

- Koristite ovaj proizvod samo za košenje travnjaka. Nije dozvoljeno njegovo korišćenje za druge zadatke.
- Koristite ličnu zaštitnu opremu. Pogledajte *Lična zaštitna oprema na stranici 343*.
- Naučite kako da brzo zaustavite motor u slučaju opasnosti.
- Nemojte da pokrećete motor u zatvorenom prostoru ili blizu zapaljivih materijala. Izduvni gasovi motora su vreli i mogu da sadrže varnice, što može izazvati požar.
- Nemojte raditi sa proizvodom ako sečivo i svi poklopci nisu pravilno postavljeni. Nepravilno postavljeno sečivo se može otkaçiti i prouzrokovati telesnu povredu.
- Pobrinite se da sečivo ne udara o predmete kao što su kamenje ili korenje. To može dovesti do oštećenja noža i savijanja osovine motora. Savijena osovina proizvodi velike vibracije i postoji povećana opasnost da se sečivo olabavi.
- Ako sečivo udari o predmet ili ako se pojave vibracije, odmah zaustavite proizvod. Uklonite kabl za paljenje sa svećice. Pregledajte proizvod u pogledu oštećenja. Otklonite oštećenja ili dozvolite ovlašćenom servisnom agentu da izvrši popravku.
- Nemojte postavljati ručicu kočnice motora trajno na ručku kada je motor pokrenut.
- Postavite proizvod na stabilnu, ravnu površinu i pokrenite ga. Vodite računa da sečivo ne dodiruje tlo ili druge predmete.
- Uvek stojte iza proizvoda kada radite sa njim.
- Vodite računa da svi točkici ostanu na tlu i držite dve ruke na ručki kada rukujete proizvodom. Udaljite šake i stopala od rotirajućih sečiva.
- Nemojte naginjati proizvod kada je motor pokrenut.
- Budite pažljivi kada povlačite proizvod unazad.

- Nikada nemojte podizati proizvod kada je motor pokrenut. Ako morate da podignete proizvod, prvo isključite motor i odvojite kabl za paljenje sa svećice.
- Nemojte hodati unazad kada radite sa proizvodom.
- Zaustavite motor kada se krećete preko područja bez trave, na primer, stazica napravljenih od šljunka, kamena i asfalta.
- Ne trčite sa proizvodom ako mu radi motor. Uvek hodajte kada radite sa proizvodom.
- Zaustavite motor pre nego što promenite visinu košenja. Nikada nemojte da vršite podešavanje dok je motor pokrenut.
- Nikada nemojte dozvoliti da proizvod ostane bez nadzora dok je motor pokrenut. Zaustavite motor i uverite se da se oprema za košenje ne okreće.

## Bezbednosna uputstva za rad

### Lična zaštitna oprema



**UPOZORENJE:** Pročitajte upozoravajuća uputstva koja slede pre korišćenja proizvoda.

- Lična zaštitna oprema ne može da u potpunosti spreči telesnu povredu, ali ona smanjuje stepen telesne povrede ako dođe do nesrećnog slučaja. Neka vam vaš prodavac pomogne u izboru odgovarajuće opreme.
- Koristite zaštitu za uši ako je nivo buke iznad 85 dB.
- Nosite čvrste neklizajuće čizme ili cipele. Nemojte nositi obuću sa otvorenim prstima ili ići bosonogi.
- Uvek nosite duge pantalone od čvrstog materijala.
- Nosite zaštitne rukavice po potrebi, na primer, kada pričvršćujete, pregledate ili čistite opremu za košenje.

### Bezbednosni uređaji na proizvodu



**UPOZORENJE:** Pročitajte upozoravajuća uputstva koja slede pre korišćenja proizvoda.

- Nemojte da koristite proizvod sa bezbednosnim uređajima koji su oštećeni ili neispravni.
- Redovno proveravajte bezbednosne uređaje. Ako su bezbednosni uređaji oštećeni ili neispravni, obratite se Husqvarna servisnom centru.
- Nemojte vršiti izmene na bezbednosnim uređajima.

### Provera poklopcu mehanizma za košenje

Poklopac mehanizma za košenje smanjuje vibracije u proizvodu, kao i rizik od povrede nožem.

- Pregledajte poklopac košenja kako biste se uverili da nema oštećenja kao što su naprsline.

## Provera ručice kočnice motora

Ručica kočnice motora zaustavlja motor. Kada je ručica kočnice motora otpuštena, motor se zaustavlja.

- Pokrenite motor, a zatim otpustite ručicu kočnice motora. Ako se motor ne zaustavi u roku od 3 sekunde, neka ovlašćeni Husqvarna serviser izvrši podešavanje kočnice motora. (Sl. 16)

## Prigušivač

Prigušivač održava nivo buke na minimumu i šalje izdovne gasove dalje od rukovaoca.

Ne koristite proizvod ako prigušivač nedostaje ili je oštećen. Oštećeni prigušivač povećava nivo buke i rizik od požara.



**UPOZORENJE:** Prigušivač postaje veoma vruć tokom i nakon korišćenja i kada motor radi pri brzini praznog hoda. Budite pažljivi u blizini zapaljivih materijala i/ili isparenja kako biste sprečili požar.

## Bezbednosne mere u vezi sa gorivom



**UPOZORENJE:** Pročitajte upozoravajuća uputstva koja slede pre korišćenja proizvoda.

- Nemojte pokretati proizvod ako na njemu postoje tragovi goriva ili motornog ulja. Uklonite neželjeno gorivo/ulje i sačekajte da se proizvod osuši.
- Ako prospete gorivo na odeću, odmah je presvucite.
- Nemojte dozvoliti da gorivo dospe na vaše telo, ono može izazvati telesnu povredu. Ako vam gorivo dospe na telo, uklonite ga vodom i sapunom.
- Nemojte pokretati proizvod ako postoji curenje iz motora. Redovno proveravajte da li motor curi.
- Budite oprezni pri radu sa gorivom. Gorivo je zapaljivo a isparenja su eksplozivna i mogu izazvati telesne povrede ili smrt.
- Nemojte udisati isparenja goriva, to može izazvati telesnu povredu. Pobrinite se da ima dovoljno protoka vazduha.
- Nemojte da pušite u blizini goriva ili motora.
- Nemojte stavljati vruće predmete blizu goriva ili motora.
- Nemojte dolivati gorivo kada motor radi.
- Uverite se da je motor hladan pre dopunjavanja goriva.

- Pre dopunjavanja goriva, polako otvorite poklopac rezervoara za gorivo i pažljivo otpustite pritisak.
- Nemojte dolivati gorivo u motor u zatvorenom prostoru. Nedovoljan protok vazduha može da izazove povredu ili smrt zbog gušenja ili trovanja ugljen-monoksidom.
- Do kraja zategnite čep rezervoara za gorivo. Ako čep rezervoara za gorivo nije zategnut, postoji opasnost od požara.
- Izmaknite proizvod bar 3 m / 10 stopa od mesta na kojem ste napunili rezervoar pre pokretanja.
- Ne punite rezervoar za gorivo do vrha. Toplota izaziva širenje goriva. Ostavite prostora pri vrhu rezervoara za gorivo.
- Nikad nemojte da skladištite proizvod sa gorivom u rezervoaru za gorivo unutar zgrade gde su prisutni izvori paljenja kao što su kotlovi za zagrevanje vode, kotlovi za zagrevanje prostorija ili sušilice za odeću. Sačekajte da se motor ohladi pre skladištenja u zatvorenom prostoru.

## Bezbednosna uputstva za održavanje



**UPOZORENJE:** Pročitajte upozoravajuća uputstva koja slede pre korišćenja proizvoda.

- Izdovni gasovi iz motora sadrže ugljen-monoksid, otrovan i veoma opasan gas bez mirisa. Nemojte puštati motor u rad u zatvorenim prostorima.
- Pre održavanja proizvoda zaustavite motor i uklonite kabl za paljenje sa svećice.
- Nosite zaštitne rukavice kada vršite održavanje na opremi za košenje. Sečivo je veoma oštro i lako dolazi do posekotine.
- Oprema i izmene na proizvodu koji nisu odobreni od strane proizvođača mogu da izazovu teške telesne povrede ili smrt. Nemojte vršiti izmene na proizvodu. Koristite samo delove koje je odobrio proizvođač.
- Ako se održavanje ne vrši na ispravan način i redovno, raste rizik od telesnih povreda i oštećenja proizvoda.
- Vršite samo održavanja opisana u ovom korisničkom uputstvu. Ostalo servisiranje mora da obavlja ovlašćeni Husqvarna serviser.
- Neka ovlašćeni Husqvarna servisni agent redovno vrši servisiranja proizvoda.
- Zamenite oštećene, pohabane ili pokvarene delove.

## Skapanje

### Skapanje ručke

1. Gurnite zavrtnaj (A) kroz ručku (B), plastičnu podlošku (C) i osloni nosač na ručki (D). (Sl. 17)
2. Potpuno pritegnite navrtku (E).

3. Gurnite zavrtnaj (F) kroz podlošku (G) i osloni nosač na ručki.
4. Potpuno zategnite dugme (H).



5. Poravnajte otvore na upravljaču sa otvorima na donjoj ručki i postavite zavrtnje, podloške i dugmad. Potpuno zategnite dugmad. (Sl. 18)
6. Postavite kablove na ručku sa držačima kablova. (Sl. 19)

---

**Napomena:** Uverite se da zategnutost kablova nije prevelika. Prevelika zategnutost može izazvati oštećenje kabla ako se ručka savije u položaj za transport.

---

7. Postavite kablove oko kuke na dnu ručke. (Sl. 20)

## Podešavanje visine ručke

1. Olabavite donju dugmad. (Sl. 21)
2. Uklonite dugme, podlošku i zavrtnj na levoj i desnoj strani.
3. Ručka se može postaviti u 2 različite visine. Postavite zavrtnj u jedan od 2 otvora na levoj i desnoj strani. (Sl. 22)
4. Postavite zavrtnje, podloške i dugmad.
5. Pomerite dugmad nagore u smeru ručke dok se ne zaustave i ne čujete klik zvuk. Potpuno zategnite dugmad. (Sl. 23)

## Stavljanje proizvoda u položaj za transport

1. Uklonite hvatač trave.

2. Olabavite dugmad na gornjoj ručki i sklopite ručku nadole. (Sl. 24)
3. Olabavite donju dugmad.
4. Pomerite dugmad u donji kraj žlebova na levoj i desnoj strani proizvoda. (Sl. 25)
5. Sklopite ručku unapred. (Sl. 26)

## Stavljanje proizvoda u položaj za rad

1. Podignite ručku dok se donja ručka ne zaključa u položaj za rad. (Sl. 27)
2. Pomerite dugmad nagore u smeru ručke dok se ne zaustave i ne čujete klik zvuk.
3. Potpuno zategnite dugmad. (Sl. 28)
4. Podignite gornji deo ručke.
5. Potpuno zategnite dugmad. (Sl. 29)

## Sklopavanje hvatača trave

1. Postavite gornji deo hvatača trave na donji deo hvatača trave. (Sl. 30)
2. Pričvrstite okvir hvatača trave spojnicama. (Sl. 31)
3. Podignite zadnji poklopac.
4. Postavite kuke na hvatač trave do gornje ivice šasije. (Sl. 32)
5. Stavite donji deo hvatača trave u kanal sa izbacivanjem trave.

---

# Rukovanje

---

## Uvod



**UPOZORENJE:** Pre rada sa proizvodom, morate pročitati i razumeti poglavlje o bezbednosti.

## Husqvarna Connect

Husqvarna Connect je besplatna aplikacija za mobilne uređaje. Aplikacija Husqvarna Connect pruža proširene funkcije za proizvod Husqvarna:

- Dodatne informacije o proizvodu.
- Informacije o delovima proizvoda i servisiranju i pomoći u vezi s njima.

## Da biste počeli koristiti Husqvarna Connect

1. Preuzmite aplikaciju Husqvarna Connect na svoj mobilni uređaj.
2. Registrujte se u aplikaciji Husqvarna Connect.
3. Pratite uputstva u aplikaciji Husqvarna Connect da biste se spojili i registrovali proizvod.

## Pre rada sa proizvodom

1. Pažljivo pročitajte korisničko uputstvo i budite sigurni da razumete njegov sadržaj.
2. Pregledajte opremu za košenje i uverite se da je pravilno postavljena i podešena. Pogledajte *Pregled opreme za košenje na stranici 347*.
3. Napunite rezervoar za gorivo. Pogledajte *Dosipanje goriva na stranici 345*.
4. Napunite rezervoar za ulje i proverite nivo ulja. Pogledajte *Provera nivoa ulja na stranici 348*.

## Dosipanje goriva

Ako je dostupan, koristite benzin sa malom količinom emisija / alkilatni benzin. Ako vam benzin sa malom količinom emisija / alkilatni benzin nije dostupan, koristite kvalitetni bezolovni benzin ili benzin sa olovom čiji oktanski broj nije manji od 91.



**OPREZ:** Ne koristite benzin čiji je oktanski broj manji od 91 RON. To može da ošteti proizvod.



**OPREZ:** Menjajte filter za gorivo jednom godišnje ili češće ako je potrebno. Novi filter za gorivo možete da nabavite kod svog Husqvarna prodavca.



**OPREZ:** Uvek zaustavite motor pre sipanja goriva.



**OPREZ:** Ne koristite tečnosti za startovanje pod pritiskom.

1. Polako otvorite čep rezervoara za gorivo da biste izjednačili pritisak.
2. Polako napunite iz kripstera za gorivo. Ako prospete gorivo, obrišite ga krpom i sačekajte da se preostalo gorivo osuši. (Sl. 33)
3. Obrišite deo oko čepa rezervoara za gorivo.
4. Do kraja zategnite čep rezervoara za gorivo. Ako čep rezervoara za gorivo nije zategnut, postoji opasnost od požara.
5. Izmaknite proizvod bar 3 m / 10 stopa od mesta na kojem ste napunili rezervoar pre pokretanja.

## Podešavanje visine košenja

1. Pomerite polugu visine košenja unazad da biste povećali visinu košenja.
2. Pomerite polugu visine košenja unapred da biste smanjili visinu košenja. (Sl. 34)



**OPREZ:** Nemojte postavljati visinu košenja suviše nisko. Sečiva mogu da udare o tlo ako površina travnjaka nije ujednačena.

## Pokretanje proizvoda

1. Proverite da li je kabl za paljenje povezan sa svećicom.
2. Stanite iza proizvoda.

3. Držite ručicu kočnice motora naspram upravljača. (Sl. 35)
4. Držite ručicu užeta startera desnom rukom.
5. Lagano izvlačite užu startera dok ne osetite otpor.
6. Snažno povucite da biste pokrenuli motor.



**UPOZORENJE:** Nemojte namotavati užu startera oko ruke.

## Korišćenje pogona na točkicama

- Gurnite pritiskivač pogona u smeru upravljača. (Sl. 36)
- Otpustite pritiskivač pogona da biste deaktivirali pogon, na primer, kada se nalazite blizu prepreke.
- Pre nego što povučete proizvod unazad, odvojte pogon i gurnite proizvod ka napred približno 10 cm.

## Zaustavljanje proizvoda

- Da biste zaustavili samo pogon, oslobodite pritiskivač pogona.
- Da biste zaustavili motor, pustite ručicu kočnice motora.

## Za dobre rezultate

- Uvek koristite oštro sečivo. Tupo sečivo daje neujednačeni rezultat i pokošena površina trave postaje žuta. Oštro sečivo takođe koristi manje energije nego tupo sečivo.
- Nemojte kositi više od  $\frac{1}{3}$  dužine trave. Prvo kosite sa visokom visinom košenja. Pregledajte rezultat i spustite visinu košenja na prihvatljiviji nivo. Ako je trava zaista visoka, vozite polako i kosite dvaput ako bude potrebno.
- Kosite u različitim smerovima svaki put da biste izbegli pruge na travnjaku.
- Poklopac košenja mora da bude čist. Naslage trave i prljavštine s unutarne strane poklopca košenja mogu da umanje rezultate košenja. Pogledajte *Čišćenje unutrašnje površine poklopca mehanizma za košenje na stranici 347*

## Održavanje

### Uvod



**UPOZORENJE:** Pre održavanja, morate pročitati i razumeti poglavlje o bezbednosti.

Za sva servisiranja i popravke proizvoda, potrebna je specijalna obuka. Garantujemo dostupnost stručnih popravki i servisiranja. Ako vaš prodavac nije servisni agent, obratite mu se za informacije o najbližem servisnom agentu.

Za detaljnije informacije pogledajte .

### Šema održavanja



**OPREZ:** Uverite se da je filter za vazduh podignut, a ne pritisnut na tlo kad nagnete proizvod. Opasnost od oštećenja motora.

Intervali održavanja su izračunati na osnovu svakodnevnog korišćenja proizvoda. Intervali se menjaju ako se proizvod ne koristi svakodnevno.

Za održavanja obeležena znakom \*, pogledajte uputstva u *Bezbednosni uređaji na proizvodu na stranici 343.*

Održavanje	Dnevno	Mesečno	Svaka sezona
Izvršite generalni pregled	X		
Proverite nivo ulja	X		
Zamenite ulje (prvi put posle 5 sati rada, a zatim na svakih 50 sati rada) <sup>169</sup>			X
Očistite proizvod	X		
Pregledajte opremu za košenje	X		
Pregledajte poklopac košenja *	X		
Pregledajte ručicu kočnice motora *	X		
Pregledajte auspuh *		X	
Proverite svećicu. Očistite ili zamenite svećicu ako je potrebno			X
Pregledajte filter za vazduh	X		
Očistite filter za vazduh <sup>170</sup>		X	
Zamenite filter za vazduh			X
Pregledajte sistem za gorivo			X
Očistite rebra za hlađenje cilindra		X	
Pregledajte i podesite sajlju kvačila (LC 140SP)			X

## Vršenje opšteg pregleda

- Uverite se da su sve navrtke i zavrtnji na proizvodu ispravno pritegnuti.

## Čišćenje proizvoda spolja

- Uklonite lišće, travu i prljavštinu pomoću četke.
- Uverite se da ulaz vazduha na vrhu motora nije blokiran.
- Nemojte da koristite čistač pod visokim pritiskom za čišćenje proizvoda.
- Ako koristite vodu za čišćenje proizvoda, ne polivajte motor.

## Čišćenje unutrašnje površine poklopca mehanizma za košenje

1. Ispraznite rezervoar za gorivo.
2. Nagnite proizvod. Postarajte se da je svećica okrenuta nagore.



**OPREZ:** Ako se proizvod spusti tako da je filter za vazduh dole, motor može da se ošteti.

3. Isperite unutrašnju stranu poklopca mehanizma za košenje vodom iz creva.

## Pregled opreme za košenje



**UPOZORENJE:** Da biste sprečili neželjeno pokretanje, uklonite kabl za paljenje sa svećice.



**UPOZORENJE:** Nosite zaštitne rukavice kada vršite održavanje na opremi za košenje. Sečivo je veoma oštro i lako dolazi do posekotine.

1. Pregledajte opremu za košenje u pogledu oštećenja ili naprsina. Uvek zamenite oštećenu opremu za košenje.

<sup>169</sup> Ako proizvod radi pod teškim opterećenjem ili na visokoj temperaturi, zamenite motorno ulje svakih 25 časova.

<sup>170</sup> Čistite češće u prašnjavim uslovima ili ako ima lebdećih otpadaka. Zamenite filter za vazduh ako je veoma zaprljan.

2. Pregledajte sečivo da biste videli je li oštećeno ili tupo.

**Napomena:** Nakon oštrenja sečiva potrebno ga je balansirati. Neka servisni centar naoštri, zameni i balansira sečivo. Ako udarite o prepreku nakon čega se proizvod zaustavi, zamenite oštećeno sečivo. Neka servisni centar odredi da li sečivo može da se naoštiri ili mora da se zameni.

## Zamena noža

1. Blokirate nož pomoću komada drveta. (Sl. 37)
2. Uklonite zavrtanj sečiva i opružnu podlošku.
3. Uklonite nož.
4. Pregledajte nosač noža i vijak noža kako biste videli postoje li oštećenja.
5. Pregledajte osovinu motora kako biste se uverili da nije savijena.
6. Kada postavite nov nož, usmerite savijene krajeve noža u smeru poklopcu košenja. (Sl. 38)
7. Pobrinite se da je nož poravnat sa sredinom osovine motora.
8. Blokirate nož pomoću komada drveta. Postavite opružnu podlošku i zategnite vijak i podlošku na moment pritezanja od 45–60 Nm. (Sl. 39)
9. Povucite nož rukom da biste proverili da li se slobodno okreće.



**UPOZORENJE:** Nosite čvrste rukavice. Nož je veoma oštar i lako dolazi do posekotina.

10. Pokrenite proizvod kako biste testirali nož. Ako nož nije ispravno postavljen, pojaviće se vibriranje proizvoda ili rezultat košenja neće biti zadovoljavajući.

## Provera nivoa ulja



**OPREZ:** Previše nizak nivo ulja može da ošteti motor. Proverite nivo ulja pre pokretanja proizvoda.

1. Stavite proizvod na ravno tlo.
2. Uklonite poklopac rezervoara za ulje i šipku za merenje.
3. Obrišite ulje na šipki za merenje.
4. Ugurajte šipku za merenje do dna rezervoara za ulje da biste tačno izmerili nivo ulja. Nemojte da stavite poklopac rezervoara za ulje.
5. Uklonite poklopac rezervoara za ulje i šipku za merenje.
6. Očitajte nivo ulja na šipci za merenje.
7. Ako je nivo ulja nizak, dospite motorno ulje i ponovo proverite nivo. (Sl. 40)

**Napomena:** Koristite levak da biste sprečili prospanje.

8. Postavite poklopac rezervoara za ulje kada nivo ulja bude pravilan.

## Zamena motornog ulja



**UPOZORENJE:** Motorno ulje je vrelo neposredno nakon zaustavljanja motora. Pustite da se motor ohladi pre odlivanja motornog ulja. Ako prospete motorno ulje na kožu, sperite ga sa tela sapunom i vodom.

(Sl. 41)

1. Ostavite proizvod da radi dok se rezervoar za gorivo ne isprazni.
2. Uklonite kabl za paljenje sa svećice.
3. Uklonite poklopac rezervoara za ulje i šipku za merenje.
4. Stavite posudu za skupljanje ulja ispod proizvoda.
5. Nakrenite proizvod ili ispuštite motorno ulje iz rezervoara pomoću pumpe za ulje (dodatna oprema).
6. Sipajte novo motorno ulje tipa preporučenog u *Tehnički podaci na stranici 351*.
7. Proverite nivo ulja. Pogledajte *Provera nivoa ulja na stranici 348*.
8. Postavite poklopac rezervoara za ulje kada nivo ulja bude pravilan.

## Čišćenje filtera od plastične pene



**OPREZ:** Ne pokrećite motor bez filtera za vazduh.. Habanje motora povećava se ako je zrak zaprljan.

1. Uklonite poklopac filtera za vazduh (A). (Sl. 42)
2. Uklonite filter od plastične pene (B).



**OPREZ:** Proverite ima li na filterima od plastične pene znakova habanja ili oštećenja. Zamenite sve oštećene filtere od plastične pene.

3. Očistite filtere od plastične pene sapunom i vodom.
4. Isperite filtere od plastične pene čistom vodom.
5. Iscedite vodu iz filtera od plastične pene i ostavite ih da se osuše.



**OPREZ:** Nemojte koristiti komprimovani vazduh. Tako možete da oštetite filter od plastične pene.

6. Podmažite filtere od plastične pene motornim uljem.

7. Pritisnite filter od plastične pene čistom krpom da biste uklonili višak ulja.
8. Postavite filtere od plastične pene. Uverite se da su filteri od plastične pene do kraja nalegli na držač filtera za vazduh.
9. Postavite poklopac filtera za vazduh.

## Pregled svećice



**OPREZ:** Uvek upotrebljavajte preporučeni tip svećice. Neodgovarajući tip svećice može da ošteti proizvod.

- Pregledajte svećicu ako je snaga motora mala, ako se teško pokreće ili nepravilno radi u praznom hodu.
- Da biste smanjili rizik od nakupljanja neželjenog materijala na elektrodama svećice, poštujujte sledeća uputstva:
  - a) Uverite se da je broj obrtaja na praznom hodu pravilno podešen.
  - b) Uverite se da je mešavina dobro napravljena.
  - c) Uverite se da je filter za vazduh čist.
- Ako je svećica prljava, očistite je i ujedno proverite da li je razmak između elektroda tačan, pogledajte *Tehnički podaci na stranici 351*. (Sl. 43)
- Zamenite svećicu ako je potrebno.

## Pregled sistema za gorivo

- Pogledajte da li su poklopac rezervoara za gorivo i njegova zaptivka oštećeni.
- Pogledajte da li crevo za gorivo curi. Ako je crevo za gorivo oštećeno, neka ga serviser zameni.

## Pražnjenje rezervoara za gorivo

1. Stavite posudu ispod rezervoara za gorivo.
2. Skinite poklopac sa rezervoara za gorivo.
3. Pritisnite spojnice na crevu za gorivo na karburator.
4. Uklonite crevo za gorivo sa karburatora.
5. Stavite crevo rezervoara za gorivo u posudu i skinite spojnice creva.

6. Nagnite proizvod i ispraznite gorivo u posudu.

## Zamena filtera za gorivo



**UPOZORENJE:** Koristite zaštitne rukavice.

1. Ispraznite rezervoar za gorivo.
2. Sklonite spojnicu creva od rezervoara za gorivo. (Sl. 44)
3. Izvadite crevo za gorivo iz rezervoara za gorivo. Mala količina goriva može da iscuri. (Sl. 45)
4. Skinite filter za gorivo sa rezervoara za gorivo. (Sl. 46)
5. Stavite novi filter za gorivo u rezervoar za gorivo.
6. Zakačite crevo za gorivo na rezervoar za gorivo.
7. Stavite spojnicu creva na položaj na rezervoaru za gorivo.

## Podešavanje sajle kvačila (LC 140SP)

U sledećim slučajevima treba skratiti sajlu kvačila:

- Pogon točkova se ne aktivira kad povučete pritiskivač pogona ili komandnu ručicu.
- Proizvod se kreće polako kad je aktiviran pogon točkova.

U sledećim slučajevima treba produžiti sajlu kvačila:

- Proizvod se kreće kad je pogon točkova nije aktiviran.
- Podesite sajlu kvačila.
  - a) Da biste skratili sajlu kvačila, okrenite zavrtanj za podešavanje ulevo.
  - b) Da biste produžili sajlu kvačila, okrenite zavrtanj za podešavanje udesno. (Sl. 47)

Ako se proizvod i posle podešavanja ne kreće kako bi trebalo, obratite se serviseru

## Rešavanje problema sa motorom

Problem	Mogući uzrok	Rešenje
Motor ne može da se pokrene.	Kabl za paljenje nije ispravno povezan.	Povežite kabl za paljenje sa svećicom.
	Rezervoar za gorivo je prazan.	Napunite rezervoar za gorivo odgovarajućim tipom goriva.
	Gorivo je staro.	Ispraznite rezervoar za gorivo i karburator. Sipajte nov benzin.
	Prljavština u karburatoru ili vodu goriva.	Očistite karburator i/ili vod goriva.
	Svećica je oštećena.	Podesite zazor elektroda i očistite ili zamenite svećicu.
	Svećica je zamašćena.	Očistite svećicu.
Motor ne može da se zaustavi.	Mehanizam za zaustavljanje ne radi pravilno.	Isključite kabl za paljenje iz svećice. Preпустите ovlašćenom serviseru popravku proizvoda.
Motor ne radi mirno.	Kabl za paljenje nije ispravno povezan.	Povežite kabl za paljenje sa svećicom.
	Prljavština se nakupila u vodu goriva ili je istekao rok trajanja goriva.	Očistite vod goriva. Napunite rezervoar za gorivo novim gorivom odgovarajućeg tipa.
	Poklopac rezervoara za gorivo je zapušćen.	Očistite poklopac rezervoara za gorivo.
	U sistemu za gorivo ima vode ili prljavštine.	Ispraznite rezervoar za gorivo. Napunite rezervoar za gorivo novim gorivom odgovarajućeg tipa.
	Filter za vazduh je zaprljan.	Očistite filter za vazduh.
	Potrebno je podesiti karburator.	Karburator može da podesi isključivo serviser.
Motor se prekomerno zagreva.	Nivo motornog ulja je prenizak.	Sipajte motorno ulje.
	Protok vazduha nije dovoljan.	Očistite filter za vazduh i kućište filtera za vazduh.
	Potrebno je podesiti karburator.	Karburator može da podesi isključivo serviser.
Javlja se zastoј kada motor radi pri velikoj brzini.	Zazor elektroda u svećici je premali.	Podesite zazor elektroda.
Neuobičajena buka dopire iz motora tokom normalnog opterećenja.	Pogrešan tip benzina.	Ispraznite rezervoar za gorivo i karburator. Sipajte nov benzin. Pogledajte <i>Dosipanje goriva na stranici 345</i> . Ako se problem i dalje javlja, obratite se lokalnom serviseru.

Problem	Mogući uzrok	Rešenje
Motor ne radi mirno u praznom hodu.	Svećica je zaprljana, oštećena ili je zazor elektroda prevelik.	Podesite zazor elektroda ili zamenite svećicu.
	Potrebno je podesiti karburator.	Podesite karburator.
	Filter za vazduh je zaprljan.	Očistite filter za vazduh.

## Transport, skladištenje i odlaganje

### Transport i skladištenje

- Uverite se da pri skladištenju i transportu proizvoda i goriva nema isparavanja i curenja iz proizvoda. Varnice i otvoren plamen, na primer iz električnih uređaja i bojlera, može da zapali požar.
- Uvek koristite odobrene kanistere za čuvanje i transport goriva.
- Ispraznite rezervoar za gorivo pre dužeg skladištenja proizvoda. Gorivo odbacujte na odgovarajućoj lokaciji za odbacivanje
- Da biste sprečili nezgode i oštećenja, dobro fiksirajte proizvod prilikom transporta.

- Čuvajte proizvod u zaključanoj prostoriji da biste sprečili neodobren pristup deci i drugim osobama.
- Čuvajte proizvod na suvom mestu bez mraza.

### Odlaganje

- Pratite lokalne zakone i propise o reciklaži.
- Sve hemikalije, kao što su motorno ulje i gorivo, odbacujte u servisnom centru ili na odgovarajućem mestu za odbacivanje.
- Kad rashodujete proizvod, pošaljite ga Husqvarna prodavcu ili ga odnesite na odgovarajuće mesto za reciklažu.

## Tehnički podaci

### Tehnički podaci

	LC 140P	LC 140SP
<b>Motor</b>		
Marka	Husqvarna	Husqvarna
Naziv modela motora	HS 123A	HS 123A
Tip motora	Jedan cilindar, 4-taktni, aktivno vazdušno hlađenje, OHV	Jedan cilindar, 4-taktni, aktivno vazdušno hlađenje, OHV
Zapremina cilindra, cm <sup>3</sup>	123	123
Brzina, o/min	3000	3000
Nominalna izlazna snaga motora, kW <sup>171</sup>	1,95	1,95
<b>Sistem paljenja</b>		
Svećica	Husqvarna HQT-7	Husqvarna HQT-7
Zazor elektroda, mm	0,7-0,8	0,7-0,8

<sup>171</sup> Naznačena snaga motora je prosečna neto izlazna snaga (pri navedenim obrtajima u minutu) tipičnog proizvodnog motora za model motora izmerena prema SAE standardu J1349/ISO1585. Vrednost motora iz masovne proizvodnje može da se razlikuje. Stvarna izlazna snaga postavljenog motora na proizvodu će zavistiti od radne brzine, uslova u okruženju i drugih vrednosti.

	LC 140P	LC 140SP
<b>Sistem za gorivo i podmazivanje</b>		
Tip podmazivanja motora	Prskanje	Prskanje
Kapacitet rezervoara za gorivo, litara	0,9	0,9
Kapacitet rezervoara za ulje, litara	0,5	0,5
Motorno ulje <sup>172</sup>	Husqvarna SAE 30, Husqvarna sintetičko SAE 5W-30, Husqvarna SAE 10W-40	Husqvarna SAE 30, Husqvarna sintetičko SAE 5W-30, Husqvarna SAE 10W-40
<b>Težina</b>		
Sa praznim rezervoarima, kg	25,2	26,8
<b>Emisije buke</b> <sup>173</sup>		
Nivo zvučne snage, mereno, dB(A)	93	93
Nivo zvučne snage, garantovano L <sub>WA</sub> dB(A)	94	94
<b>Nivoi zvuka</b> <sup>174</sup>		
Nivo zvučnog pritiska na uvo rukavaca, dB(A)	82	82
<b>Nivoi vibracije</b> <sup>175</sup>		
Nivo vibracija na ručici, m/s <sup>2</sup>	5,6	7,6
<b>Oprema za košenje</b>		
Visina košenja, mm	25–75	25–75
Širina košenja, mm	400	400
Sistem košenja	Sakupljač / pražnjenje sa zadnje strane	Sakupljač / pražnjenje sa zadnje strane
Sečiva – standardna	Sakupljač 5873863-10	Sakupljač 5873863-10
Kapacitet hvatača trave, litre	50	50
<b>Pogon</b>		
Brzina samostalnog hoda, km/h	–	4

<sup>172</sup> Koristite motorno ulje kvaliteta API SJ ili višeg. Ako se ulje SAE-30 koristi na temperaturama nižim od +5 °C, postoji opasnost da se motor ne podmazuje dovoljno. To može da dovede do oštećenja motora. Pogledajte *Zamena motornog ulja na stranicama 348* za odgovarajući tip ulja za niske temperature. Pogledajte tabelu viskoznosti u priručniku motora (ukoliko je uključen) i izaberite najbolju viskoznost na osnovu očekivane temperature okoline.

<sup>173</sup> Emisije buke u životnoj sredini merene kao zvučna snaga (L<sub>WA</sub>) u skladu sa direktivom 2000/14/EZ.

<sup>174</sup> Prijavljeni podaci za nivo zvučnog pritiska imaju tipičnu statističku disperziju (standardnu devijaciju) od 1,2 dB (A).

<sup>175</sup> Podaci o nivou vibracija imaju tipičnu statističku disperziju (standardnu devijaciju) od 0,2 m/s<sup>2</sup>.



# Deklaracija o usaglašenosti

## EU deklaracija o usaglašenosti

Mi, **Husqvarna AB**, SE-561 82 Huskvarna, Švedska, tel: +46-36-146500, izjavljujemo pod punom odgovornošću da je proizvod:

<b>Opis</b>	Kosačica za travu
<b>Marka</b>	Husqvarna
<b>Tip/model</b>	LC 140P, LC 140SP
<b>Identifikacija</b>	Serijski brojevi od 2022 i nadalje

su u potpunosti usaglašeni sa sledećim EU direktivama i propisima:

Propis	Opis
2006/42/EZ	„koji se odnose na mašine“
2014/30/EU	„koji se odnose na elektromagnetsku kompatibilnost“
2000/14/EZ	„koji se odnose na emisiju buke u okruženju“
2011/65/EU	„koji se odnose na ograničenje upotrebe određenih opasnih supstanci u električnoj i elek-tronskoj opremi“

i da su sledeći standardi i/ili tehničke specifikacije primenjeni: EN ISO 5395-1:2013/A1:2018, EN ISO 5395-2:2013/A1:2016/A2:2017, EN ISO 14982:2009, EN IEC 63000:2018

Ovlašćeno telo: 0404, RISE SMP Svensk Maskinprovning AB, Box 4053, SE-904 03 Umeå, Sweden je sertifikovalo usaglašenost sa direktivom veća 2000/14/EC, postupak za procenu usklađenosti: Aneks VI.

Za informacije o emisiji buke pogledajte *Tehnički podaci na stranici 351*.

Huskvarna, 2022-09-27



Claes Losdal, menadžer razvoja / baštenski proizvodi,  
Husqvarna AB

Odgovoran za tehničku dokumentaciju



---

## Innehåll

---

Introduktion.....	354	Felsökning av motorn.....	362
Säkerhet.....	355	Transport, förvaring och kassering.....	363
Montering.....	357	Tekniska data.....	364
Drift.....	358	Försäkran om överensstämmelse.....	366
Underhåll.....	359		

---

## Introduktion

---

### Produktbeskrivning

Produkten är en rotorgräsklippare som styrs av en gående person. Gräset samlas i en gräsupsamlare. Du kan ta bort gräsupsamlaren om du vill att gräset ska komma ut mitt bak.

### Produktöversikt

(Fig. 1)

1. Handtag/styre
2. Drivbygel (LC 140SP)
3. Startsnörets handtag
4. Gräsupsamlare
5. Bränsletank
6. Luftfilter
7. Tändstift
8. Klippkäpa
9. Ljuddämpare
10. Oljetankslock
11. Klipphöjdsspak
12. Bakre kåpa
13. Motorbromsbygel
14. Symboler
15. Montering för undre handtag
16. Undre handtag
17. Bruksanvisning
18. Oljetratt

### Symboler på produkten

- (Fig. 2) **WARNING!** Var försiktig och använd produkten på rätt sätt. Den här produkten kan orsaka allvarlig eller livshotande skada för användaren och andra.
- (Fig. 3) Läs igenom bruksanvisningen noggrant och se till att du förstår instruktionerna innan användning.
- (Fig. 4) Akta dig för utslungade föremål och rikoschetter.
- (Fig. 5) Håll alltid människor och djur på säkert avstånd från arbetsområdet.

### Avsedd användning

Använd produkten för att klippa gräs. Använd inte produkten till andra uppgifter.

- (Fig. 6) **Varning!** Håll händer och fötter borta från den roterande kniven.
- (Fig. 7) **Varning!** Håll händer och fötter borta från roterande delar.
- (Fig. 8) Stäng av motorn och ta av tändkabeln före reparation eller underhåll.
- (Fig. 9) Produkten överensstämmer med gällande EG-direktiv.
- (Fig. 10) Miljömärkning för bulleremission enligt direktiv och bestämmelser för EU och Storbritannien samt New South Wales-lagen "Protection of the Environment Operations (Noise Control) Regulation 2017". Produktens garanterade ljudeffektivitet anges i *Tekniska data på sida 364* och på etiketten.
- (Fig. 11) Produkten överensstämmer med gällande brittiska direktiv.
- (Fig. 12) Risk för brand.
- (Fig. 13) Undvik att andas in avgaser. Motorns avgaser innehåller kolmonoxid, en luktlös, giftig och mycket farlig gas. Starta inte motorn inomhus eller i slutna utrymmen.
- (Fig. 14) Het yta.
- (Fig. 15) Fyll motorn med olja innan du startar produkten.

**Notera:** Övriga symboler/dekaler på produkten avser specifika krav för certifieringar på vissa kommersiella marknader.

## Euro V-utsläpp



**WARNING:** Manipulering av motorn upphäver EG-typgodkännandet för den här produkten.

## Produktskada

Vi ansvarar inte för skador på vår produkt om:

- produkten repareras felaktigt
- produkten repareras med delar som inte kommer från tillverkaren eller inte har godkänts av tillverkaren
- produkten har ett tillbehör som inte kommer från tillverkaren eller inte har godkänts av tillverkaren
- produkten inte repareras vid ett godkänt servicecenter eller av en godkänd person.

## Säkerhet

### Säkerhetsdefinitioner

Varningar, försiktighetsåtgärder och anmärkningar används för att betona speciellt viktiga delar i bruksanvisningen.



**WARNING:** Används om det finns risk för skador eller dödsfall för användaren eller kringstående om anvisningarna i bruksanvisningen inte följs.



**OBSERVERA:** Används om det finns risk för skada på produkten, annat material eller det angränsande området om anvisningarna i bruksanvisningen inte följs.

**Notera:** Används för att ge mer information som är nödvändig i en viss situation.

### Allmänna säkerhetsanvisningar



**WARNING:** Läs varningsinstruktionerna nedan innan du använder produkten.

- Denna produkt är farlig om den används på fel sätt, och om du inte är försiktig. Skada eller dödsfall kan inträffa om du inte följer säkerhetsinstruktionerna.
- Denna produkt alstrar ett elektromagnetiskt fält under drift. Detta fält kan under vissa omständigheter ge påverkan på aktiva eller passiva medicinska implantat. För att reducera risken för omständigheter som kan leda till allvarliga eller livshotande skador rekommenderar vi därför personer med implantat att rådgöra med läkare samt tillverkaren av det medicinska implantatet innan denna produkt används.
- Var alltid försiktig och använd sunt förnuft. Om du inte vet hur du ska använda produkten i en särskild situation ska du stanna den och tala med en Husqvarna-återförsäljare innan du fortsätter.
- Tänk på att användaren kommer att hållas ansvarig för olyckor som involverar andra människor eller deras egendom.

- Håll produkten ren. Se till att du kan läsa skyltar och dekaler tydligt.
- Låt inte någon använda produkten om du inte är säker på att personen har läst och förstår innehållet i bruksanvisningen.
- Låt inte barn använda produkten.
- Håll barn borta från arbetsområdet. En vuxen person måste vara närvarande hela tiden.
- Låt inte en person utan kännedom om instruktionerna använda produkten.
- Övervaka alltid en person med nedsatt fysisk eller mental kapacitet som använder produkten. En vuxen person måste vara närvarande hela tiden.
- Använd aldrig produkten om du är trött, sjuk eller om du är påverkad av alkohol, droger eller läkemedel. Detta har en negativ inverkan på din syn, ditt omdöme och din kroppskontroll.
- Använd inte en produkt som har skador eller inte fungerar korrekt.
- Modifiera aldrig den här produkten och använd den inte om det är möjligt att den har blivit modifierad av andra.
- Ändra inte inställningen för motorns varvtalsreglering.

### Säkerhet i arbetsområdet



**WARNING:** Läs varningsinstruktionerna nedan innan du använder produkten.

- Ta bort föremål som grenar, kvistar och stenar från arbetsområdet innan du använder produkten.
- Objekt som slår mot skärutrustningen kan slungas ut och orsaka skador på personer och föremål. Håll alltid människor och djur på säkert avstånd från produkten.
- Använd aldrig produkten i dåligt väder, som dimma, regn, hård vind, extrem kyla och risk för blixtnedslag. Det är ansträngande att använda produkten i dåligt väder eller på fuktiga eller våta platser. Dåligt väder kan leda till farliga förhållanden, t.ex. hala ytor.
- Håll utkik efter personer, föremål och situationer som kan förhindra säker användning av produkten.

- Håll utkik efter hinder, som rötter, stenar, grenar, gropar och diken. Långt gräs kan dölja hinder.
- Det kan vara farligt att klippa gräs i slutningar. Använd inte produkten i terräng som lutar mer än 15°.
- Klipp tvärs över slutningar. Inte upp och ned.
- Var uppmärksam när du närmar dig dolda hörn och föremål som skymmer sikten.

- Stäng av motorn innan du ändrar klipphöjden. Gör aldrig justeringar med motorn igång.
- Lämnar aldrig produkten utanför ditt synfält med motorn igång. Stäng av motorn och se till att skärutrustningen inte roterar.

## Säkerhetsinstruktioner för drift

### Personlig skyddsutrustning



**VARNING:** Läs varningsinstruktionerna nedan innan du använder produkten.

- Personlig skyddsutrustning kan inte eliminera skaderisken helt, men den reducerar effekten av en skada vid ett eventuellt olyckstillbud. Be din återförsäljare om hjälp med att välja rätt utrustning.
- Använd hörselskydd om ljudnivån är högre än 85 dB.
- Använd kraftiga halksäkra kängor eller skor. Använd inte öppna skor och var inte barfota.
- Använd tjockare långbyxor.
- Använd skyddshandskar vid behov, till exempel när du ansluter, undersöker eller rengör skärutrustningen.

### Säkerhetsanordningar på produkten



**VARNING:** Läs varningsinstruktionerna nedan innan du använder produkten.

- Använd inte en produkt med säkerhetsanordningar som är skadade eller som inte fungerar korrekt.
- Kontrollera säkerhetsanordningarna regelbundet. Om säkerhetsanordningarna är skadade eller om de inte fungerar korrekt ska du kontakta en Husqvarna-serviceverkstad.
- Gör inga ändringar på säkerhetsanordningarna.

### Kontrollera klippkåpan

Klippkåpan dämpar vibrationerna och minskar risken för skador orsakade av kniven.

- Undersök klippkåpan för att se till att där inte finns några skador, t.ex. sprickor.

### Kontrollera motorbromsbygeln

Motorbromsbygeln stänger av motorn. När motorbromsbygeln släpps stannar motorn.

- Starta motorn och släpp sedan motorbromsbygeln. Om motorn inte stannar inom tre sekunder ska du låta en godkänd Husqvarna-serviceverkstad justera motorbromsen. (Fig. 16)

### Ljuddämpare

Ljuddämparen håller ljudnivån till ett minimum och leder bort motorns avgaser från användaren.

## Arbets säkerhet



**VARNING:** Läs varningsinstruktionerna nedan innan du använder produkten.

- Använd enbart den här produkten för att klippa gräsmattor. Det är inte tillåtet att använda den för andra uppgifter.
- Använd personlig skyddsutrustning. Se *Personlig skyddsutrustning på sida 356*.
- Se till att du vet hur man snabbt stoppar motorn i en nödsituation.
- Starta aldrig motorn i ett stängt utrymme eller nära brandfarliga material. Motoravgaserna är heta och kan medföra gnistor som kan orsaka brand.
- Använd inte produkten utan att kniven och alla kåpor är korrekt monterade. En felaktigt monterad kniv kan lossna och orsaka personskador.
- Se till att kniven inte slår emot föremål som stenar och rötter. Detta kan göra att kniven skadas och böja motoraxeln. En böjd axel orsakar kraftiga vibrationer och risken för att kniven lossnar blir mycket hög.
- Om kniven träffar ett föremål eller om det uppstår vibrationer ska du omedelbart stanna produkten. Koppla bort tändkabeln från tändstiftet. Kontrollera om det finns några skador på produkten. Reparera skadorna eller låt en behörig serviceverkstad utföra reparationen.
- Fäst aldrig motorbromsbygeln permanent på handtaget när motorn är igång.
- Ställ produkten på ett stabilt plant underlag och starta den. Se till att kniven inte vidrör marken eller andra föremål.
- Håll dig alltid bakom produkten när du använder den.
- Låt alla hjul stå på marken och håll båda händerna på handtaget när du använder produkten. Håll händer och fötter borta från de roterande knivarna.
- Luta inte produkten när motorn är igång.
- Var försiktig när du drar produkten bakåt.
- Lyft aldrig upp produkten när motorn är igång. Om du måste lyfta produkten ska du först stanna motorn och koppla bort tändkabeln från tändstiftet.
- Gå inte baklänges när du använder produkten.
- Stäng av motorn när du rör dig över områden utan gräs, t.ex. gångar av grus, sten och asfalt.
- Spring inte med produkten när motorn är igång. Gå alltid när du använder produkten.

Använd inte produkten utan ljuddämpare eller med en skadad ljuddämpare. En defekt ljuddämpare ökar ljudnivån och brandrisken.



**VARNING:** Ljuddämparen blir mycket varm under och efter användning samt när motorn går på tomgång. Var försiktig nära brandfarliga material och/eller ångor för att förhindra brand.

## Bränslesäkerhet



**VARNING:** Läs varningsinstruktionerna nedan innan du använder produkten.

- Starta inte produkten om det finns bränsle eller motorolja på produkten. Ta bort det oönskade bränslet/oljan och låt produkten torka.
- Om du spillt bränsle på kläderna ska dessa bytas omedelbart.
- Se till att inte få bränsle på kroppen, det kan orsaka personskador. Om du får bränsle på kroppen ska du använda tvål och vatten för att ta bort bränslet.
- Starta inte produkten om motorn har en läcka. Undersök regelbundet att motorn inte läcker.
- Var försiktig med bränsle. Bränsle är brandfarligt och ångorna är explosiva och kan orsaka skador eller dödsfall.
- Undvik att andas in bränsleångor då det kan orsaka personskador. Se till att det finns tillräckligt luftflöde.
- Rök inte i närheten av bränslet eller motorn.
- Placera inga varma föremål i närheten av bränslet eller motorn.
- Fyll inte på bränsle när motorn är på.
- Se till att motorn har svalnat innan du fyller på bränsle.
- Innan du fyller på bränsle bör du öppna bränsletankklocket långsamt och försiktigt släppa på trycket.
- Fyll inte på bränsle i motorn inomhus. Otillräckligt luftflöde kan orsaka skador eller dödsfall på grund av kvävning eller kolmonoxidförgiftning.

- Dra åt bränsletankklocket ordentligt. Om bränsletankklocket inte dras åt ordentligt finns det en risk för brand.
- Flytta produkten minst 3 m från den plats där du fyllde på tanken innan du startar den.
- Fyll inte upp tanken helt. Värme gör att bränslet expanderar. Lämnar lite plats längst upp på tanken.
- Förvara aldrig produkten med bränsle i bränsletanken i en byggnad där det finns antändningskällor, t.ex. varmvattenberedare, värmeelement eller klädtorkar. Låt motorn kallna före förvaring i ett slutet utrymme.

## Säkerhetsinstruktioner för underhåll



**VARNING:** Läs varningsinstruktionerna nedan innan du använder produkten.

- Motorns avgaser innehåller kolmonoxid, en luktlös, giftig och mycket farlig gas. Starta inte motorn inomhus eller i slutna utrymmen.
- Innan du utför underhåll på produkten ska du stänga av motorn och ta bort tändkabeln från tändstiftet.
- Använd skyddshandskar när du utför underhåll på skärutrustningen. Kniven är mycket vass och skårskador uppstår lätt.
- Tillbehör och ändringar av produkten som inte godkänts av tillverkaren kan orsaka allvarliga skador eller dödsfall. Modifiera inte produkten. Använd endast tillbehör som godkänts av tillverkaren.
- Om underhåll inte utförs korrekt och regelbundet ökar risken för personskador och skador på produkten.
- Utför endast underhåll enligt anvisningarna i den här bruksanvisningen. All annan service måste utföras av en godkänd Husqvarna-serviceverkstad.
- Låt en godkänd Husqvarna-serviceverkstad utföra service på produkten regelbundet.
- Byt ut skadade, slitna och trasiga delar.

## Montering

### Montera handtaget

1. För skruven (A) genom handtaget (B), plastbrickan (C) och handtagets stödfäste (D). (Fig. 17)
2. Dra åt muttern (E) helt.
3. För skruven (F) genom brickan (G) och handtagets stödfäste.
4. Dra åt vredet (H) helt.
5. Rikta in hälen i styret med hälen i det nedre handtaget och fäst skruvarna, brickorna och vreden. Dra åt vreden helt. (Fig. 18)

6. Montera kablarna på handtaget med kabelhållarna. (Fig. 19)

**Notera:** Se till att kablarnas spänning inte är för hög. En alltför hög spänning kan orsaka skador på kabeln om handtaget är vikt i transportläge.

7. Placera kablarna runt kroken längst ned på handtaget. (Fig. 20)

### Ställa in höjden på handtaget

1. Lossa de nedre vreden. (Fig. 21)

2. Ta bort vredet, brickan och skruven på vänster och höger sida.
3. Handtaget kan ställas in på två olika höjder. Placera skruven i ett av de två hålen på vänster och höger sida. (Fig. 22)
4. Montera skruvar, brickor och vred.
5. Skjut vreden uppåt mot handtaget tills det tar stopp och du hör ett klick. Dra åt vreden helt. (Fig. 23)

## Ställa in produkten i transportläge

1. Ta bort gräsupsamlaren.
2. Lossa vreden på det övre handtaget och vik handtaget nedåt. (Fig. 24)
3. Lossa de nedre vreden.
4. Flytta vreden till den nedre delen av spåren på produktens vänstra och högra sida. (Fig. 25)
5. Vik handtaget framåt. (Fig. 26)

## Ställa in produkten i arbetsläge

1. Lyft handtaget tills det lägre handtaget är låst i driftläge. (Fig. 27)

2. Skjut vreden uppåt mot handtaget tills det tar stopp och du hör ett klick.
3. Dra åt vreden helt. (Fig. 28)
4. Lyft styrets överdel.
5. Dra åt vreden helt. (Fig. 29)

## Montera gräsupsamlaren

1. Placera den övre delen av gräsupsamlaren på den nedre delen av gräsupsamlaren. (Fig. 30)
2. Fäst gräsupsamlarens ram med klämmorna. (Fig. 31)
3. Lyft den bakre kåpan.
4. Fäst krokarna på gräsupsamlaren mot den övre kanten på chassit. (Fig. 32)
5. Sätt den nedre delen av gräsupsamlaren i gräsutkastkanalen.

---

## Drift

---

### Introduktion



**WARNING:** Innan du använder produkten måste du läsa igenom och förstå kapitlet om säkerhet.

### Husqvarna Connect

Husqvarna Connect är en kostnadsfri app för mobila enheter. Husqvarna Connect-appen utökar funktionerna för Husqvarna-produkten:

- Mer produktinformation.
- Information om, och hjälp med, produktdelar och service.

### Börja använda Husqvarna Connect

1. Hämta Husqvarna Connect-appen på din mobila enhet.
2. Utför registreringen i Husqvarna Connect-appen.
3. Följ instruktionerna i Husqvarna Connect-appen för att ansluta och registrera produkten.

### Innan du använder produkten

1. Läs igenom bruksanvisningen noggrant och se till att du förstår instruktionerna.
2. Undersök skärutrustningen för att se till att den är korrekt monterad och justerad. Se *Kontrollera skärutrustningen på sida 360*.
3. Fyll bränsletanken. Se *Fylla på bränsle på sida 358*.

4. Fyll oljetanken och kontrollera oljenivån. Se *Kontrollera oljenivån på sida 361*.

### Fylla på bränsle

Använd om möjligt bensin med låg utsläppsgrad/alkylatbränsle. Om bensin med låg utsläppsgrad/alkylatbränsle inte finns tillgänglig ska du använda blyfri bensin eller blyd bensin av hög kvalitet med ett oktantal på minst 91.



**OBSERVERA:** Använd inte bensin med ett oktantal som är lägre än 91 RON. Det kan orsaka skador på produkten.



**OBSERVERA:** Byt bränslefiltert årligen eller oftare om det behövs. Nya bränslefilter finns hos Husqvarna-återförsäljare.



**OBSERVERA:** Stäng alltid av motorn innan du fyller på bränsle.



**OBSERVERA:** Använd inte trycksatta startvätskor.

1. Öppna tanklocket långsamt för att släppa på trycket.

2. Fyll på långsamt med en bränsledunk. Om du spiller bränsle ska du ta bort det med en trasa och låta bensinresterna avdunsta. (Fig. 33)
3. Torka rent runt bränsletanklocket.
4. Dra åt bränsletanklocket ordentligt. Om bränsletanklocket inte dras åt ordentligt finns det en risk för brand.
5. Flytta produkten minst 3 m från den plats där du fyllde på tanken innan du startar den.

## Ställa in klipphöjden

1. Flytta klipphöjdsspaken bakåt för att höja klipphöjden.
2. Flytta klipphöjdsspaken framåt för att sänka klipphöjden. (Fig. 34)



**OBSERVERA:** Ställ inte in för låg klipphöjd. Knivarna kan träffa marken om gräsmattans yta inte är plan.

## Starta produkten

1. Se till att tändkabeln är ansluten till tändstiftet.
2. Stå bakom produkten.
3. Håll motorbromsbygeln mot handtaget. (Fig. 35)
4. Håll i startsnörets handtag med höger hand.
5. Dra långsamt i startsnöret tills du känner ett motstånd.
6. Dra kraftigt för att starta motorn.



**VARNING:** Vira inte startsnöret runt handen.

## Underhåll

### Introduktion



**VARNING:** Innan du utför underhåll måste du läsa och förstå kapitlet om säkerhet.

För allt service- och reparationsarbete på produkten krävs särskild utbildning. Vi garanterar att du kan få en fackmannamässig reparation och service utförd. Om din återförsäljare inte är en serviceverkstad kan du tala med dem för information om närmaste serviceverkstad.

Mer information finns här i .

## Använda drivningen på hjulen

- Tryck drivbygeln mot styret. (Fig. 36)
- Släpp drivbygeln för att koppla ur drivningen, t.ex. när du går nära ett hinder.
- Innan du drar produkten bakåt, stäng av drivenheten och putta fram den ca 10 cm.

## Stänga av produkten

- För att stänga av endast drivningen ska du släppa drivbygeln.
- För att stänga av motorn ska du släppa motorbromsbygeln.

## Få ett bra resultat

- Använd alltid en vass kniv. En slö kniv ger ett ojämnt resultat och gräsets snittyta blir gul. En vass kniv förbrukar mindre energi än en slö kniv.
- Klipp inte mer än en tredjedel av gräsets längd. Klipp först med hög klipphöjd. Undersök resultatet och sänk klipphöjden till en lämplig nivå. Om gräset är väldigt långt kan du köra sakta och klippa två gånger vid behov.
- Klipp i olika riktningar varje gång för att undvika ränder i gräsmattan.
- Håll klippkåpan ren. Ansamling av gräs och smuts på insidan av klippkåpan kan försämra klippresultatet. Se *Rengöra insidan av klippkåpan på sida 360*.

### Underhållsschema



**OBSERVERA:** Se till att luftfiltret är uppåt och inte mot marken när du lutar produkten. Risk för motorskador.

Underhållsintervallen beräknas utifrån daglig användning av produkten. Intervallen ändras om produkten inte används dagligen.

För underhåll som markeras med \*, se anvisningarna i *Säkerhetsanordningar på produkten på sida 356*.

Underhåll	Dagligen	Varje månad	Varje säsong
Utför en allmän inspektion	X		
Kontrollera oljenivån	X		

Underhåll	Dagligen	Varje månad	Varje säsong
Byt ut oljan (första gången efter fem timmars användning, sedan efter var 50:e timmes användning) <sup>176</sup>			X
Rengör produkten	X		
Kontrollera skärutrustningen	X		
Kontrollera klippkåpan*	X		
Kontrollera motorbromsbygeln *	X		
Kontrollera ljuddämparen *		X	
Undersök tändstiftet. Rengör eller byt ut tändstiftet vid behov			X
Kontrollera luftfiltret	X		
Rengör luftfiltret <sup>177</sup>		X	
Byt luftfilter			X
Kontrollera bränslesystemet			X
Rengör kylflänsarna på cylindern.		X	
Kontrollera och justera kopplingsvajern (LC 140SP)			X

## Allmän inspektion

- Se till att alla skruvar och muttrar på produkten är korrekt åtdragna.

## Rengöra produkten utvändigt

- Använd en borste för att ta bort löv, gräs och smuts.
- Kontrollera att luftintaget på motorns ovansida inte är igentäppt.
- Undvik att använda högtrycksvätt när du rengör maskinen.
- Om du använder vatten för att rengöra produkten ska du inte spola vatten direkt på motorn.

## Rengöra insidan av klippkåpan

1. Töm bensintanken.
2. Luta produkten. Se till att tändstiftet pekar uppåt.



**OBSERVERA:** Om produkten placeras med luftfiltret nedåt kan motorn skadas.

3. Spola av klippkåpens insida med vatten.

## Kontrollera skärutrustningen



**WARNING:** För att förhindra oavsiktlig start ska du ta bort tändkabeln från tändstiftet.



**WARNING:** Använd skyddshandskar när du utför underhåll på skärutrustningen. Kniven är mycket vass och skärskador uppstår lätt.

1. Kontrollera så att skärutrustningen inte är skadad eller har sprickor. Byt alltid ut skadad skärutrustning.
2. Titta på kniven för att se om den är skadad eller slö.

**Notera:** Kniven måste balanseras när den har slipats. Låt en serviceverkstad slipa, byta och balansera kniven. Om du träffar ett hinder som gör att produkten stannar ska du byta ut den skadade kniven. Låt serviceverkstaden bedöma om kniven kan slipas eller måste ersättas.

## Byta knivar

1. Lås kniven med en träbit. (Fig. 37)
2. Ta bort knivbulten och fjäderbrickan.
3. Ta bort kniven.

<sup>176</sup> Om produkten används med hög belastning eller vid höga omgivningstemperaturer ska motoroljan bytas var 25:e timme.

<sup>177</sup> Rengör oftare vid dammiga förhållanden eller när luftburet skräp förekommer. Byt ut luftfiltret om det är mycket smutsigt.



- Kontrollera knivstödet och knivbulten för att se om det finns skador.
- Kontrollera motoraxeln för att se till att den inte är böjd.
- När du monterar en ny kniv ska du rikta knivens vinkelade ändrar mot klippkåpan. (Fig. 38)
- Se till att kniven är i linje med motoraxelns mitt.
- Lås kniven med en träbit. Montera fjäderbrickan och dra åt bulten och brickan med ett vridmoment på 45–60 Nm. (Fig. 39)
- Dra runt kniven för hand och se till att den roterar fritt.



**VARNING:** Använd kraftiga arbetshandskar. Kniven är mycket vass och skärskador uppstår lätt.

- Starta produkten för att testa kniven. Om kniven inte är korrekt monterad känner du vibrationer i produkten eller så är klipresultat otillfredsställande.

## Kontrollera oljenivån



**OBSERVERA:** För låg oljenivå kan orsaka allvarliga motorskador. Kontrollera oljenivån innan du startar produkten.

- Placera produkten på plan mark.
- Ta bort oljetanklocket och mätstickan.
- Torka av oljan från mätstickan.
- Tryck tillbaka mätstickan helt i oljetanken för att få en korrekt bild av oljenivån. Fäst inte oljetanklocket.
- Ta bort oljetanklocket och mätstickan.
- Kontrollera oljenivån på mätstickan.
- Om oljenivån är låg ska du fylla på med motorolja och kontrollera oljenivån igen. (Fig. 40)

**Notera:** Använd en tratt för att förhindra spill.

- Sätt tillbaka oljetanklocket när oljenivån är korrekt.

## Byta motorolja



**VARNING:** Motorolja är mycket varm direkt efter att motorn har stängts av. Låt motorn svalna innan du tappar ur motoroljan. Om du spiller olja på huden måste du rengöra med tvål och vatten.

(Fig. 41)

- Använd produkten tills bränsletanken är tom.
- Ta bort tändkabeln från tändstiftet.
- Ta bort oljetanklocket och mätstickan.
- Ställ en behållare att samla upp motoroljan i under produkten.

- Luta produkten eller tappa av motoroljan från oljetanken med en oljepump (tillbehör).
- Fyll på ny motorolja av den typ som rekommenderas i *Tekniska data på sida 364*.
- Kontrollera oljenivån. Se *Kontrollera oljenivån på sida 361*.
- Sätt tillbaka oljetanklocket när oljenivån är korrekt.

## Rengöra skumplastfiltret



**OBSERVERA:** Starta inte motorn utan luftfilter. Slitaget på motorn ökar om luften är smutsig.

- Ta bort luftfilterkåpan (A). (Fig. 42)
- Ta bort skumplastfiltren (B).



**OBSERVERA:** Undersök om skumplastfiltren är skadade eller slitna. Byt ut alla skadade skumplastfilter.

- Rengör skumplastfiltren med tvål och vatten.
- Spola av skumplastfiltren med rent vatten.
- Pressa ut vattnet från skumplastfiltren och låt dem torka.



**OBSERVERA:** Använd inte tryckluft. Det kan orsaka skador på skumplastfiltret.

- Smörj skumplastfiltren med motorolja.
- Tryck en ren trasa mot skumplastfiltret för att få bort överflödiga olja.
- Rengör skumplastfiltren. Se till att skumplastfiltren ligger helt tätt mot luftfilterhållaren.
- Installera luftfilterkåpan.

## Kontrollera tändstiftet



**OBSERVERA:** Använd alltid den rekommenderade tändstiftstypen. Fel typ av tändstift kan orsaka skador på produkten.

- Kontrollera tändstiftet om motorn har låg effekt, är svår att starta eller inte fungerar korrekt vid tomgångsvarvtal.
- Följ dessa instruktioner om du vill minska risken för oönskat material på tändstiftets elektroder:
  - Se till att tomgångsvarvtalet är korrekt justerat.
  - Se till att bränsleblandningen är korrekt.
  - Se till att luftfiltret är rent.
- Om tändstiftet är smutsigt rengör du det och ser till att elektrodavståndet är korrekt, se *Tekniska data på sida 364*. (Fig. 43)
- Byt ut tändstiftet vid behov.

## Kontrollera bränslesystemet

- Kontrollera bränsletanklocket och tätningen till bränsletanklocket för att se till att det inte finns några skador.
- Kontrollera bränsleslangen för att se till att inget läckage förekommer. Om bränsleslangen är skadad ska du låta en serviceverkstad byta ut den.

## Tappa ur bränsletanken

1. Placera ett kärl under bränsletanken.
2. Ta bort bränsletanklocket.
3. Tryck slangklämmorna på bränsleslangen mot förgasaren.
4. Ta bort bränsleslangen från förgasaren.
5. Lägg bränsletankens slang i kärlet och ta bort slangklämmorna.
6. Luta produkten och låt bränslet rinna ner i kärlet.

## Byta bränslefilter



**VARNING:** Använd skyddshandskar.

1. Tappa ur bränsletanken.
2. Flytta slangklämman bort från bränsletanken. (Fig. 44)

3. Ta bort bränsleslangen från bränsletanken. En mindre mängd bränsle kan läcka ut. (Fig. 45)
4. Ta bort bränslefiltret från bränsletanken. (Fig. 46)
5. Installera ett nytt bränslefilter i bränsletanken.
6. Fäst bränsleslangen på bränsletanken.
7. Sätt slangklämman på plats mot bränsletanken.

## Justera kopplingsvajern ((LC 140SP))

Du måste minska längden på kopplingsvajern under följande förhållanden:

- Hjuldrivningen kopplas inte in när du drar i drivbygeln eller hastighetsreglaget.
- Produkten rör sig långsamt när du har kopplat in hjuldrivningen.

Du måste öka längden på kopplingsvajern under följande förhållanden:

- Produkten rör sig när hjuldrivningen inte är inkopplad.
- Justera kopplingsvajern
  - a) Om du vill minska längden på kopplingsvajerns vrider du justerskraven moturs.
  - b) Om du vill öka längden på kopplingsvajern vrider du justerskraven medurs. (Fig. 47)

Om produkten inte fungerar på rätt sätt efter justeringen kontaktar du en serviceverkstad.

## Felsökning av motorn

Problem	Möjlig orsak	Lösning
Maskinen startar inte.	Tändkabeln är felaktigt ansluten.	Anslut tändkabeln till tändstiftet.
	Bränsletanken är tom.	Fyll bränsletanken med korrekt bränsletyp.
	Bränslet är gammalt.	Töm bränsletanken och förgasaren. Fyll på med ny bensin.
	Det finns smuts i förgasare eller bränsleledning.	Rengör förgasaren och/eller bränsleledningen.
	Tändstiftet är skadat.	Justera elektroavståndet, rengör eller byt ut tändstiftet.
	Det finns bränsle på tändstiftet.	Rengör tändstiftet.
Motorn stannar inte.	Stoppmekanismen fungerar inte som den ska.	Koppla bort tändkabeln från tändstiftet. Låt en godkänd serviceverkstad reparera produkten.

Problem	Möjlig orsak	Lösning
Motorn går ojämnt.	Tändkabeln är felaktigt ansluten.	Anslut tändkabeln till tändstiftet.
	Det finns smuts i bränsleledningen eller så är bränslet slut.	Rengör bränsleledningen. Fyll bränsletanken med nytt bränsle av rätt typ.
	Det är stopp i bränsletanklocket.	Rensa bränsletanklocket.
	Det finns vatten eller smuts i bränslesystemet.	Tappa ur bränsletanken. Fyll bränsletanken med nytt bränsle av rätt typ.
	Lufffiltret är smutsigt.	Rengör lufffiltret.
	Förgasaren måste justeras.	Låt en serviceverkstad justera förgasaren.
Motorn blir för varm.	Motoroljenivån är för låg.	Fyll på motorolja.
	Luftflödet är inte tillräckligt.	Rengör lufffiltret och luftfilterkåpan.
	Förgasaren måste justeras.	Låt en serviceverkstad justera förgasaren.
Motorn feltänder när den arbetar på höga varvtal.	Elektroavståndet i tändstiftet är för litet.	Justera elektroavståndet.
Ovanliga ljud från motorn vid normal belastning.	Fel typ av bensen.	Töm bränsletanken och förgasaren. Fyll på med ny bensen. Se <i>Fylla på bränsle på sida 358</i> . Kontakta en serviceverkstad om problemet kvarstår.
Motorn fungerar inte korrekt på tomgång.	Tändstiftet är smutsigt eller skadat eller så är elektroavståndet för stort.	Justera elektroavståndet eller byt ut tändstiftet.
	Förgasaren måste justeras.	Justera förgasaren.
	Lufffiltret är smutsigt.	Rengör lufffiltret.

## Transport, förvaring och kassering

### Transport och förvaring

- Vid förvaring och transport av produkten och bränslet ska du se till att det inte förekommer något läckage eller avgaser. Gnistor eller öppen eld, t.ex. från elektriska apparater eller pannor, kan orsaka brand.
- Använd alltid godkända behållare för transport och förvaring av bränsle.
- Töm bränsletanken innan du placerar produkten för förvaring under en längre tid. Kassera bränslet på lämplig anvisad plats
- Fäst produkten ordentligt under transport för att förhindra skador och olyckor.

- Förvara produkten i ett låst utrymme för att förhindra åtkomst för barn eller personer som inte är behöriga.
- Förvara produkten på en torr och frostfri plats.

### Kassering

- Följ lokala återvinningsbestämmelser och tillämpliga förordningar.
- Kassera alla kemikalier, som olja och bränsle, vid en serviceverkstad eller på lämplig anvisad plats.
- När produkten inte längre används ska du skicka den till en Husqvarna-återförsäljare eller lämna den till en återvinningsstation.

## Tekniska data

### Tekniska data

	LC 140P	LC 140SP
<b>Motor</b>		
Varumärke	Husqvarna	Husqvarna
Motorns modellnamn	HS 123A	HS 123A
Motortyp	Encylindrig, fyrtakt, forcedrad luftkylning, OHV	Encylindrig, fyrtakt, forcedrad luftkylning, OHV
Slagvolym, cm <sup>3</sup>	123	123
Varvtal, varv/min	3 000	3 000
Nominell motoreffekt, kW <sup>178</sup>	1,95	1,95
<b>Tändsystem</b>		
Tändstift	Husqvarna HQT-7	Husqvarna HQT-7
Elektrodstånd, mm	0,7–0,8	0,7–0,8
<b>Bränsle- och smörjsystem</b>		
Typ av motorsmörjning	Splash	Splash
Volym bensintank, liter	0,9	0,9
Volym oljetank, liter	0,5	0,5
Motorolja <sup>179</sup>	Husqvarna SAE 30, Husqvarna SAE 5W-30 syntetisk, Husqvarna SAE 10W-40	Husqvarna SAE 30, Husqvarna SAE 5W-30 syntetisk, Husqvarna SAE 10W-40
<b>Vikt</b>		
Med tomma tankar, kg	25,2	26,8
<b>Bulleremission</b> <sup>180</sup>		
Ljudeffektnivå, uppmätt, dB(A)	93	93
Ljudeffektnivå, garanterad, L <sub>WA</sub> dB(A)	94	94
<b>Ljudnivåer</b> <sup>181</sup>		
Ljudtrycksnivå vid användarens öra, dB(A)	82	82

<sup>178</sup> Motorns angivna märkeffekt är medelvärdet för nettoeffekten (vid det specificerade varvtalet) hos en typisk produktionsmotor för den motormodell som mätts enligt SAE-standard J1349/ISO1585. Massproducerade motorer kan avvika från detta värde. Den faktiska uteffekten hos den motor som är installerad i slutprodukten kommer att bero på driftshastigheten, omgivningens egenskaper och andra faktorer.

<sup>179</sup> Använd motorolja av kvalitet API SJ eller högre. Om SAE-30-olja används vid lägre temperatur än 5 °C är det risk att motorn inte smörjs tillräckligt. Detta kan skada motorn. Information om rätt olja vid låga temperaturer finns i *Byta motorolja på sida 361*. Se viskositetsdiagrammet i motorns handbok (om den medföljer) och välj den bästa viskositeten baserat på förväntad utomhustemperatur.

<sup>180</sup> Bulleremission till omgivningen uppmätt som ljudeffekt (L<sub>WA</sub>) enligt EG-direktiv 2000/14/EG.

<sup>181</sup> Redovisade data för ljudtrycksnivå har ett typiskt spridningsmått (standardavvikelse) på 1,2 dB (A).

	LC 140P	LC 140SP
<b>Vibrationsnivåer</b> <sup>182</sup>		
Vibrationer i styre, m/s <sup>2</sup>	5,6	7,6
<b>Skärutrustning</b>		
Klipphöjd, mm	25–75	25–75
Klippbredd, mm	400	400
Klippsystem	Uppsamling/bakutkast	Uppsamling/bakutkast
Knivar – standard	Uppsamling 5873863-10	Uppsamling 5873863-10
Gräsuppsamlarens kapacitet, liter	50	50
<b>Drivning</b>		
Självgående hastighet, km/h	–	4

<sup>182</sup> Rapporterade data för vibrationsnivå har en typisk statistisk spridning (standardavvikelse) på 0,2 m/s<sup>2</sup>.

# Försäkran om överensstämmelse

## EU-försäkran om överensstämmelse

Vi, **Husqvarna AB**, 561 82 Huskvarna, Sverige, tel:  
+46-36-146500, försäkrar på eget ansvar att produkten:

<b>Beskrivning</b>	Gräsklippare
<b>Varumärke</b>	Husqvarna
<b>Typ/Modell</b>	LC 140P, LC 140SP
<b>Identifiering</b>	Serienummer daterade 2022 och framåt

uppfyller alla krav i följande EU-direktiv och förordningar:

<b>Lagstiftning</b>	<b>Beskrivning</b>
2006/42/EG	"om maskiner"
2014/30/EU	"angående elektromagnetisk kompatibilitet"
2000/14/EC	"angående emission av buller till omgivningen"
2011/65/EU	"angående begränsning av användning av vissa farliga ämnen i elektrisk och elektronisk utrustning"

och att följande standarder och/eller tekniska specifikationer tillämpas: EN ISO 5395-1:2013/A1:2018, EN ISO 5395-2:2013/A1:2016/A2:2017, EN ISO 14982:2009, EN IEC 63000:2018

Anmält organ: 0404, RISE SMP Svensk Maskinprovning AB, Box 4053, SE-904 03 Umeå, Sweden har intygat överensstämmelse med rådets direktiv 2000/14/EG, procedur för utvärdering av överensstämmelse: bilaga VI.

För information om bulleremissioner, se *Tekniska data på sida 364*.

Huskvarna, 2022-09-27



Claes Losdal, utvecklingschef/trädgårdsprodukter,  
Husqvarna AB

Ansvarig för teknisk dokumentation



## İçindekiler

Giriş.....	367	Motor sorunlarını giderme.....	375
Güvenlik.....	368	Taşıma, depolama ve atma.....	376
Montaj.....	370	Teknik veriler.....	377
Çalışma.....	371	Uyumluluk Bildirimi.....	379
Bakım.....	372		

## Giriş

### Ürün açıklaması

Ürün, yaya kumandalı bir döner çim biçme makinesidir. Çim, çim toplama sepetinde toplanır. Çimin arkadan boşaltımı için çim toplama sepetini çıkarın.

### Ürüne genel bakış

(Şek. 1)

1. Kol/gidon
2. Tahrik kolu (LC 140SP)
3. Çalıştırma ipi kolu
4. Çim toplama sepeti
5. Yakıt tankı
6. Hava filtresi
7. Buji
8. Kesme kapağı
9. Susturucu
10. Yağ tankı kapağı
11. Kesme yüksekliği kolu
12. Arka kapak
13. Motor fren kolu
14. Semboller
15. Alt tutma yeri grubu
16. Alt kol
17. Kullanım kılavuzu
18. Yağ hunisi

### Ürün üzerindeki semboller

(Şek. 2) UYARI!! Dikkatli olun ve ürünü doğru kullanın. Bu ürün, operatör ya da başkaları açısından ciddi yaralanmalara veya ölüme neden olabilir.

(Şek. 3) Lütfen kullanım kılavuzunu dikkatle okuyun ve kullanımdan önce talimatları anladığınızdan emin olun.

(Şek. 4) Atılan nesnelere ve seken cisimlere dikkat edin.

(Şek. 5) İnsanları ve hayvanları çalışma alanından güvenli bir uzaklıkta tutun.

### Kullanım amacı

Ürünü çim biçmek için kullanın. Ürünü başka işler için kullanmayın.

(Şek. 6) Uyarı: El ve ayaklarınızı döner bıçaktan uzak tutun.

(Şek. 7) Uyarı: El ve ayaklarınızı döner parçalardan uzak tutun.

(Şek. 8) Onarım veya bakım işlemlerinden önce motoru durdurun ve ateşleme kablosunu çıkarın.

(Şek. 9) Bu ürün yürürlükteki AT direktiflerine uygundur.

(Şek. 10) AB ve BK direktifleri ile yönetmelikleri ve Yeni Güney Galler mevzuatı "Çevre Koruma Operasyonları (Gürültü Kontrolü) Yönetmeliği 2017" uyarınca çevreye yayılan gürültü emisyonu etiketi. Ürünün garantili ses gücü düzeyi *Teknik veriler sayfasında: 377* bölümünde ve etiket üzerinde belirtilmiştir.

(Şek. 11) Bu ürün yürürlükteki Birleşik Krallık yönetmeliklerine uygundur.

(Şek. 12) Yangın tehlikesi.

(Şek. 13) Egzoz dumanlarını solumayın. Motordan gelen egzoz dumanı kokusuz, zehirli ve son derece tehlikeli bir gaz olan karbon monoksit içerir. Motoru iç mekanlarda veya kapalı alanlarda çalıştırmayın.

(Şek. 14) Sıcak yüzey.

(Şek. 15) Ürünü çalıştırmadan önce motora yağ doldurun.

**Not:** Ürünün üzerindeki diğer semboller/etiketler, bazı ticari alanların sertifikalandırma gereklilikleri ile ilgilidir.

## Avrupa V Emisyonları



**UYARI:** Motorun kurcalanması bu ürünün AB tip onayını geçersiz kılar.

## Üründe oluşabilecek hasarlar

Aşağıdaki durumlarda ürünümdede oluşabilecek hasarlardan sorumlu olmayız:

## Güvenlik

### Güvenlik tanımları

Kılavuzdaki önemli kısımları vurgulamak için uyarılar ve notlar kullanılmıştır.



**UYARI:** Kılavuzdaki talimatlara uyulmadığı takdirde operatör veya çevredeki kişiler için ciddi yaralanma veya ölüm tehlikesi varsa kullanılır.



**DİKKAT:** Kılavuzdaki talimatlara uyulmadığı takdirde ürünün, diğer malzemelerin veya çevrenin zarar görme riski olduğunda kullanılır.

**Not:** Belirli bir durumda bilgi verilmesi gerektiğinde kullanılır.

### Genel güvenlik talimatları



**UYARI:** Ürünü kullanmadan önce aşağıdaki uyarı talimatlarını okuyun.

- Bu ürün yanlış kullanıldığında veya dikkatli olmazsanız tehlikelidir. Güvenlik talimatlarına uyulmaması yaralanmalara veya ölüme yol açabilir.
- Bu ürün, çalışırken elektromanyetik bir alan oluşturur. Bu alan, bazı koşullarda aktif veya pasif tıbbi implantlarda parazitlenmeye neden olabilir. Ciddi yaralanmaya veya ölüme neden olabilecek durumların ortaya çıkma riskini azaltmak için tıbbi implantı olan kişilerin, bu ürünü çalıştırmadan önce doktorlarına ve tıbbi implant üreticilerine danışmalarını öneririz.
- Her zaman dikkatli olun ve sağduyunuzu kullanın. Özel bir durumda ürünü nasıl kullanacağınızdan emin değilseniz durun ve devam etmeden önce Husqvarna bayinizle görüşün.

- ürünün hatalı bir şekilde onarılması,
- ürünün, üretici tarafından onaylanmayan veya üreticiden alınmayan parçalarla tamir edilmesi,
- üründe, üreticiden alınmayan veya üretici tarafından onaylanmayan bir aksesuar bulunması,
- ürünün, onaylı bir servis merkezinde veya yetkili bir kurum tarafından tamir edilmemesi.

- Diğer insanları veya bu insanlara ait mülkleri içeren kazalardan operatörün sorumlu tutulacağını unutmayın.
- Ürünü temiz tutun. İşaretleri ve etiketleri net bir şekilde okuyabildiğinizden emin olun.
- Kullanım kılavuzunun içindekileri okuyup anladığından emin olmadıkça ürünü kullanmasına izin vermeyin.
- Ürünü, bir çocuğun kullanmasına izin vermeyin.
- Çocukları çalışma alanından uzakta tutun. Sorumluluk sahibi bir yetişkin her zaman orada olmalıdır.
- Talimatlar hakkında bilgisi olmayan birinin ürünü kullanmasına izin vermeyin.
- Fiziksel veya zihinsel kapasitesi düşük olan bir kişi ürünü kullanırken bu kişiyi daima gözetim altında tutun. Sorumluluk sahibi bir yetişkin her zaman orada olmalıdır.
- Ürünü yorgunken, hastayken veya alkol ya da ilaç etkisi altındayken kullanmayın. Bu durum görüş, dikkat, koordinasyon ve doğru bir şekilde düşünmenizi olumsuz yönde etkiler.
- Hasarlı veya düzgün çalışmayan bir ürünü kullanmayın.
- Başkaları tarafından değiştirilmiş olma olasılığı varsa bu ürünü değiştirmeyin veya kullanmayın.
- Motor devir kontrolü ayarını değiştirmeyin.

### Çalışma alanı güvenliği



**UYARI:** Ürünü kullanmadan önce aşağıdaki uyarı talimatlarını okuyun.

- Ürünü kullanmadan önce çalışma alanındaki dal, çalı çırıpı ve taş gibi nesnelere alın.
- Kesme donanımına çarpan nesnelere fırlatılarak kişi ve nesnelere zarar görmesine neden olabilir. Etraftaki insanları ve hayvanları üründen güvenli bir uzaklıkta tutun.
- Ürünü sis, yağmur, kuvvetli rüzgar, şiddetli soğuk ve yıldırım düşmesi riski gibi olumsuz hava koşullarında



hiçbir zaman kullanmayın. Ürünü olumsuz hava koşullarında veya nemli ya da ıslak yerlerde kullanmak yorucudur. Kötü hava, kaygan yüzeyler gibi tehlikeli koşullara neden olabilir.

- Ürünün güvenli bir şekilde çalışmasını önleyebilecek kişi, nesne ve durumlara dikkat edin.
- Kök, taş, çalı çırpı, çukur, hendek gibi engellere dikkat edin. Uzun çim nesnelere saklayabilir.
- Eğimli yerlerde çim kesmek tehlikeli olabilir. Ürünü 15°'den daha eğimli zeminlerde kullanmayın.
- Yokuşlarda ürünü yatay olarak kullanın. Yukarı ve aşağı hareket ettirmeyin.
- Gizli köşelere ve açık görüşü engelleyen nesnelere yanına giderken dikkatli olun.

## Çalışma güvenliği



**UYARI:** Ürünü kullanmadan önce aşağıdaki uyarı talimatlarını okuyun.

- Bu ürünü yalnızca çimenlik alanlarda çim kesmek için kullanın. Ürünün başka işler için kullanılması yasaktır.
- Kişisel koruyucu araçlar kullanın. Bkz. *Kişisel koruyucu ekipman sayfa: 369*.
- Acil bir durumda motoru hızlı bir şekilde nasıl kapatacağınızı öğrenin.
- Ürünü hiçbir zaman kapalı yerlerde veya yanıcı maddelerin yakınında çalıştırmayın. Motordan çıkan egzoz dumanları sıcak ve yangın çıkmasına neden olabilecek kıvılcımlar içerebilir.
- Bıçağı ve tüm kapakları doğru bir şekilde takmadan ürünü çalıştırmayın. Yanlış bir şekilde takılan bıçak gevşeyerek yaralanmanıza neden olabilir.
- Bıçağın taş veya kök gibi nesnelere çarpmamasına dikkat edin. Bu, bıçağa zarar verebilir ve motor milini bükebilir. Bükülmüş aks, ağır titreşime ve çok yüksek bir bıçak gevşemesi riskine neden olabilir.
- Bıçak bir cisme çarpar veya titreşim olursa ürünü hemen durdurun. Ateşleme kablosunu bujiden ayırın. Üründe hasar olup olmadığını kontrol edin. Hasarları onarın veya yetkili bir servis noktasının onarım yapmasını sağlayın.
- Motor çalıştırıldığında motor fren kolunu hiçbir zaman sürekli olarak kola takmayın.
- Ürünü sabit ve düz bir yüzeye koyup çalıştırın. Bıçağın yere veya diğer cisimlere çarpmadığından emin olun.
- Ürünü çalıştırırken her zaman arkasında durun.
- Ürünü kullanırken tüm tekerleklerin yere basmasını sağlayın ve 2 elinizi kolun üzerinde tutun. Ellerinizi ve ayaklarınızı döner bıçaklardan uzakta tutun.
- Motor çalışırken ürünü yatırmayın.
- Ürünü arkaya doğru çekerken dikkatli olun.
- Motor çalışırken ürünü hiçbir zaman yukarı kaldırmayın. Ürünü kaldırmamız gerekirse önce motoru durdurun ve ateşleme kablosunu bujiden ayırın.

- Ürünü kullanırken arkaya doğru yürümeyin.
- Çakıl, taş ve asfalt gibi malzemelerden yapılmış, çim olmayan alanlardan geçerken motoru durdurun.
- Motor çalışırken ürünle birlikte koşmayın. Ürünü kullanırken her zaman yürüyün.
- Kesme yüksekliğini değiştirmeden önce motoru durdurun. Motor çalışırken asla ayarlama yapmayın.
- Motor çalışırken ürünü hiçbir zaman görüş alanından çıkmasına izin vermeyin. Motoru durdurun ve kesme donanımının dönmediğinden emin olun.

## Kullanım için güvenlik talimatları

### Kişisel koruyucu ekipman



**UYARI:** Ürünü kullanmadan önce aşağıdaki uyarı talimatlarını okuyun.

- Kişisel koruyucu ekipmanlar yaralanma riskini tamamen engelleyemez ancak bir kaza durumunda yaralanmanın derecesini azaltır. Bayinizin doğru ekipmanı seçmenize yardımcı olmasını sağlayın.
- Gürültü düzeyi 85 dB'den fazlaysa kulaklık koruma ekipmanı kullanın.
- Ağır hizmet tipi kaymayan botlar veya ayakkabılar kullanın. Açık ayakkabılar giymeyin veya çıplak ayakla yürümeyin.
- Kalın, uzun pantolonlar giyin.
- Kesme donanımını takma, kontrol etme veya temizleme gibi gerekli durumlarda koruyucu eldivenler kullanın.

### Ürünün üzerindeki güvenlik araçları



**UYARI:** Ürünü kullanmadan önce aşağıdaki uyarı talimatlarını okuyun.

- Güvenlik araçları hasarlı olan veya düzgün çalışmayan bir ürünü kullanmayın.
- Güvenlik araçlarını düzenli olarak kontrol edin. Güvenlik cihazları hasarlıysa veya düzgün çalışmıyorsa Husqvarna servis bayinizle görüşün.
- Güvenlik araçları üzerinde değişiklik yapmayın.

### Kesme kapağını kontrol etme

Kesme kapağı, üründeki titreşimleri ve bıçakla yaralanma riskini azaltır.

- Çatlak gibi hasarlar olmadığından emin olmak için kesme kapağını inceleyin.

### Motor fren kolunu kontrol etme

Motor fren kolu, motoru durdurur. Motor fren kolu bırakıldığında motor durur.

- Motoru çalıştırın ve ardından motor fren kolunu serbest bırakın. Motor 3 saniye içinde durmazsa motor frenini onaylı Husqvarna servis noktasına ayarlatın. (Şek. 16)

### Susturucu

Susturucu, gürültü düzeyini minimum seviyede tutar ve egzoz dumanlarını operatörden uzağa gönderir.

Susturucu yoksa veya hasarlıysa ürünü kullanmayın. Hasarlı bir susturucu, gürültü düzeyini ve yangın riskini artırır.



**UYARI:** Susturucu kullanım sırasında, kullanım sonrasında ve motor rölantide çalışırken çok sıcak olur. Yangını önlemek için yanıcı malzemelerin ve/veya dumanların yakınında dikkatli olun.

### Yakıt güvenliği



**UYARI:** Ürünü kullanmadan önce aşağıdaki uyarı talimatlarını okuyun.

- Ürünün üzerinde yakıt veya motor yağı varsa ürünü çalıştırmayın. İstenmeyen yakıtı/yağı temizleyin ve ürünün kurumasını bekleyin.
- Kıyafetlerinize yakıt bulaşırsa kıyafetlerinizi hemen değiştirin.
- Vücudunuza yakıt bulaşırsa yakıtı temizlemek için su ve sabun kullanın.
- Motorda sızıntı varsa ürünü çalıştırmayın. Motorda sızıntı olup olmadığını düzenli olarak kontrol edin.
- Yakıtla uğraşırken dikkatli olun. Yakıt yanıcı ve dumanlar patlayıcıdır; yaralanmalara veya ölüme sebep olabilir.
- Yaralanmaya sebep olabileceğinden yakıt dumanını solumayın. Yeterli hava akışı olduğundan emin olun.
- Yakıtın veya motorun yakınında sigara içmeyin.
- Yakıtın veya motorun yakınına sıcak nesnelere koymayın.
- Motor açıkken yakıt eklemeyin.
- Yakıt doldurmadan önce motorun soğuk olduğundan emin olun.
- Yakıt doldurmadan önce yakıt deposunun kapağını yavaşça açın ve basıncı dikkatlice tahliye edin.

- Kapalı bir alanda motora yakıt eklemeyin. Yeterli hava akışının olmaması, nefessiz kalma veya karbon monoksit nedeniyle yaralanmaya veya ölüme sebep olabilir.
- Yakıt deposu kapağını tamamen sıkın. Yakıt deposu kapağı sıkılmamışsa yangın riski vardır.
- Çalıştırmadan önce ürünü, yakıt deposunu doldurduğunuz konumdan en az 3 m / 10 ft uzağa taşıyın.
- Yakıt deposunu tamamen doldurmayın. Isı, yakıtın genişlemesine neden olur. Yakıt deposunun üst kısmında boşluk bırakın.
- Sıcak su ısıtıcıları, alan ısıtıcıları veya çamaşır kurutucuları gibi tutuşma kaynaklarının bulunduğu bir binanın içinde asla yakıt deposunda yakıt varken ürünü depoya kaldırmayın. Depolamadan önce motorun soğumasını bekleyin.

### Bakım için güvenlik talimatları



**UYARI:** Ürünü kullanmadan önce aşağıdaki uyarı talimatlarını okuyun.

- Motordan gelen egzoz dumanı kokusuz, zehirli ve son derece tehlikeli bir gaz olan karbon monoksit içerir. Motoru iç mekanlarda veya kapalı alanlarda çalıştırmayın.
- Ürün üzerinde bakım yapmadan önce motoru durdurup ateşleme kablosunu bujiden çıkarın.
- Kesme donanımı üzerinde bakım yaparken koruyucu eldiven kullanın. Bıçak çok keskindir ve kolaylıkla kesiklere yol açabilir.
- Üretici tarafından onaylanmamış aksesuarlar ve ürün değişiklikleri, ciddi yaralanmalara veya ölüme neden olabilir. Ürünü değiştirmeyin. Her zaman üretici tarafından onaylanmış aksesuarları kullanın.
- Bakım işlemi doğru ve düzenli şekilde yapılmadığı takdirde yaralanma ve ürün hasarı riski artar.
- Bakım işlemini yalnızca kullanıcı kılavuzunda belirtildiği şekilde gerçekleştirin. Diğer tüm servis ve bakım işlemleri, onaylı Husqvarna servis noktası tarafından yapılmalıdır.
- Ürün üzerindeki servis işlemlerini düzenli olarak Husqvarna servis noktasına yaptırın.
- Hasarlı, aşınmış ya da kırık parçaları değiştirin.

## Montaj

### Tutma yerini takma

1. Vidayı (A) iterek tutma yerinin (B), plastik pulun (C) ve tutma yeri destek braketinin (D) içinden geçirin. (Şek. 17)
2. Somunu (E) tamamen sıkın.

3. Vidayı (F) iterek pulun (G) ve tutma yeri destek braketinin içinden geçirin.
4. Topuzu (H) tamamen sıkın.
5. Tutma çubuğundaki delikleri alt koldaki deliklerle hizalayıp vidaları, rondelaları ve düğmeleri takın. Düğmeleri tamamen sıkın. (Şek. 18)

6. Kabloları, kablo tutucuların yardımıyla kola takın. (Şek. 19)

**Not:** Kabloların gerginliğinin çok yüksek olmadığından emin olun. Çok yüksek gerginlik, kol nakliye konumuna katlandığında kablolonun hasar görmesine neden olabilir.

7. Kabloları kolun alt kısmındaki kancanın etrafına yerleştirin. (Şek. 20)

## Kol yüksekliğini ayarlama

1. Alt düğmeleri gevşetin. (Şek. 21)
2. Sol ve sağ taraftaki düğmeyi, rondelayı ve vidayı çıkarın.
3. Kol, 2 farklı seviyeye ayarlanabilir. Vidayı sol ve sağ taraftaki 2 delikten birine takın. (Şek. 22)
4. Vidaları, rondelaları ve düğmeleri takın.
5. Düğmeleri durana ve tık sesi duyulana kadar kol yönünde yukarı hareket ettirin. Düğmeleri tamamen sıkın. (Şek. 23)

## Ürünü taşıma konumuna getirme

1. Çim toplama sepetini çıkarın.
2. Üst koldaki düğmeleri gevşetin ve kolu aşağı doğru katlayın. (Şek. 24)

3. Alt düğmeleri gevşetin.
4. Düğmeleri ürünün sol ve sağ tarafındaki girintilerin alttaki ucuna getirin. (Şek. 25)
5. Kolu öne doğru katlayın. (Şek. 26)

## Ürünü çalıştırma konumuna getirme

1. Gidonu, alt tutma yeri çalışma konumuna kilitlenene kadar kaldırın. (Şek. 27)
2. Düğmeleri durana ve tık sesi duyulana kadar kol yönünde yukarı hareket ettirin.
3. Düğmeleri tamamen sıkın. (Şek. 28)
4. Gidonun üst kısmını kaldırın.
5. Düğmeleri tamamen sıkın. (Şek. 29)

## Çim toplama sepetinin takılması

1. Çim toplama sepetinin üst parçasını alt parçasının üzerine yerleştirin. (Şek. 30)
2. Çim toplama sepeti çerçevesini klipslerle sabitleyin. (Şek. 31)
3. Arka kapağı kaldırın.
4. Çim toplama sepetinin üzerindeki kancaları şasinin üst kenarına geçirin. (Şek. 32)
5. Çim toplama sepetinin alt kısmını çim boşaltma kanalına yerleştirin.

## Çalışma

### Giriş



**UYARI:** Ürünü kullanmadan önce güvenlik bölümünü okuyup anlamalısınız.

### Husqvarna Connect

Husqvarna Connect, mobil cihazınız için ücretsiz bir uygulamadır. Husqvarna Connect uygulaması, Husqvarna ürününüz için ayrıntılı işlevler sunar:

- Ayrıntılı ürün bilgileri.
- Ürün parçaları ve servis hakkında bilgi ve yardım.

### Husqvarna Connect uygulamasını kullanmaya başlamak için

1. Husqvarna Connect uygulamasını mobil cihazınıza indirin.
2. Husqvarna Connect uygulamasında kaydolun.
3. Ürünü bağlamak ve kaydetmek için Husqvarna Connect uygulamasındaki talimatları izleyin.

### Ürünü çalıştırmadan önce

1. Kullanım kılavuzunu dikkatle okuyun ve talimatları anladığınızdan emin olun.

2. Doğru bir şekilde takılıp ayarlandığından emin olmak için kesme donanımını inceleyin. Bkz. *Kesme donanımını kontrol etme sayfada: 373.*
3. Yakıt tankını doldurun. Bkz. *Yakıt doldurma sayfada: 371.*
4. Yağ tankını doldurun ve yağ seviyesini kontrol edin. Bkz. *Yağ seviyesini kontrol etme sayfada: 374.*

### Yakıt doldurma

Varsa düşük emisyon sınıfı/alkilat yakıtı olan benzin kullanın. Düşük emisyon sınıfı/alkilat yakıtı olan benzin yoksa oktan sayısı 91'den az olmayan, kaliteli kurşunsuz veya kurşunlu benzin kullanın.



**DİKKAT:** Oktan sayısı 91 RON değerinin altında olan benzinleri kullanmayın. Bu, üründe hasara neden olabilir.



**DİKKAT:** Yakıt filtresini yılda bir veya gerekirse daha sık değiştirin. Yeni yakıt filtresini Husqvarna bayinizden temin edebilirsiniz.



**DİKKAT:** Yakıt doldurmadan önce mutlaka motoru durdurun.



**DİKKAT:** Basıncılı marş sıvırları kullanmayın.

1. Basıncı tahliye etmek için yakıt deposu kapağını yavaşça açın.
2. Yakıt bidonuyla yavaşça doldurun. Yakıt dökerseniz bezle silin ve kalan yakıtı kurumaya bırakın. (Şek. 33)
3. Yakıt deposu kapağının çevresini temizleyin.
4. Yakıt deposu kapağını tamamen sıkın. Yakıt deposu kapağı sıkılmamışsa yangın riski vardır.
5. Çalıştırmadan önce ürünü, yakıt deposunu doldurduğunuz konumdan en az 3 m / 10 ft uzağa taşıyın.

## Kesme yüksekliğini ayarlama

1. Kesme yüksekliğini artırmak için kesme yüksekliği kolunu arkaya getirin.
2. Kesme yüksekliğini azaltmak için kesme yüksekliği kolunu öne getirin. (Şek. 34)



**DİKKAT:** Kesme yüksekliğini çok alçakta belirlemeyin. Çimenlik alanın yüzeyi düz değilse bıçaklar yere çarpabilir.

## Ürünü çalıştırma

1. Ateşleme kablosunun bujiye bağlandığından emin olun.
2. Ürünün arkasında durun.
3. Motor fren kolunu tutma çubuğunun karşısında tutun. (Şek. 35)
4. Çalıştırma ipinin kolunu sağ elinizle tutun.
5. Çalıştırma ipini bir miktar direnç hissedene kadar yavaşça çekin.

6. Motoru çalıştırmak için kuvvetlice çekin.



**UYARI:** Çalıştırma ipini elinize dolamayın.

## Tekerleklerde tahrikin kullanılması

- Tahrik kolunu gidonun yönünde itin. (Şek. 36)
- Örneğin bir engele yaklaştığınızda, tahriki devre dışı bırakmak için tahrik kolunu serbest bırakın.
- Ürünü geriye doğru çekmeden önce tahriki devre dışı bırakın ve ürünü yaklaşık 10 cm ileri itin.

## Ürünü durdurmak için

- Yalnızca tahriki durdurmak için tahrik kolunu serbest bırakın.
- Motoru durdurmak için motor fren kolunu serbest bırakın.

## İyi sonuç alma

- Her zaman keskin bıçak kullanın. Kör bıçak, düzensiz bir sonuç verir ve çimin kesme yüzeyi sarı olur. Ayrıca keskin bıçak kör bıçaktan daha az güç kullanır.
- Çim boyunun 1/3'ünden fazlasını kesmeyin. Önce kesme yüksekliği yüksek ayardayken kesmeye başlayın. Sonucu inceleyin ve kesme yüksekliğini uygun seviyeye indirin. Çimler çok uzunsa makineyi yavaş kullanın ve gerekirse 2 kere kesin.
- Her seferinde farklı yönlerde keserek çimenlik alanda çizgi oluşmasını önleyin.
- Kesme kapağını temiz tutun. Kesme kapağının iç tarafında çim ve kir birikmesi kesme performansını zayıflatabilir. Bkz. *Kesme kapağının iç yüzeyini temizleme sayfa: 373.*

## Bakım

### Giriş



**UYARI:** Bakım yapmadan önce güvenlik bölümünü okuyup anlamazın gerekir.

Ürüne uygulanacak tüm servis ve onarım işlemleri için özel eğitim gereklidir. Profesyonel onarım ve servis hizmetlerinin mevcut bulunduğunu garanti etmekteyiz. Yetkili satıcınızın servis noktası değilse kendisiyle görüşüp en yakınınızdaki servis noktası hakkında bilgi edinin.

Daha ayrıntılı bilgi için bkz. .

### Bakım takvimi



**DİKKAT:** Ürünü eğerken hava filtresinin yere dayalı değil, havada olduğundan emin olun. Motor hasarı riski.

Bakım aralıkları, ürünün günlük kullanımına göre hesaplanır. Ürün her gün kullanılmazsa aralıklar değişir.

\* İşaretili bakım işlemleri için bkz. *Ürünün üzerindeki güvenlik araçları sayfa: 369.*

Bakım	Günlük	Aylık olarak	Her mevsimde
Genel inceleme yapma	X		
Yağ seviyesini inceleme	X		
Yağ değişimi (ilk kullanımda 5 saatten sonra, daha sonra her 50 saatlik kullanımda bir) <sup>183</sup>			X
Ürünü temizleme	X		
Kesme donanımını inceleme	X		
Kesme kapağını inceleme *	X		
Motor fren kolunu inceleme *	X		
Susturucuyu inceleme *		X	
Bujiyi kontrol edin. Gerekirse bujyi temizleyin veya değiştirin			X
Hava filtresini inceleyin	X		
Hava filtresini temizleyiniz <sup>184</sup>		X	
Hava filtresini değiştirin			X
Yakıt sistemini inceleme			X
Silindirin soğutma kanatlarını temizleme		X	
Kavrama kablosunu inceleme ve ayarlama (LC 140SP)			X

## Genel denetim yapma

- Ürünün üzerindeki tüm somun ve vidaların doğru şekilde sıkıldığından emin olun.

## Ürünün dış kısmını temizleme

- Yaprak, çim ve kirleri gidermek için fırça kullanın.
- Motorun üst kısmındaki hava girişinin kapanmadığından emin olun.
- Ürünü temizlemek için yüksek basınçlı yıkayıcı kullanmayın.
- Ürünü temizlemek için su kullanıyorsanız suyu doğrudan motorun üzerine akıtmayın.

## Kesme kapağının iç yüzeyini temizleme

1. Yakıt tankını boşaltın.
2. Ürünü eğin. Bujinin yukarı doğru baktığından emin olun.



**DİKKAT:** Ürün hava filtresi alta gelecek şekilde yerleştirilirse motor hasar görebilir.

3. Kesme kapağının iç yüzeyini hortum kullanarak suyla yıkayın.

## Kesme donanımını kontrol etme



**UYARI:** Kazara çalışmayı önlemek için ateşleme kablosunu bujiden ayırın.



**UYARI:** Kesme donanımına bakım yaptığınızda koruyucu eldivenler kullanın. Bıçak çok keskindir ve kolaylıkla kesiklere yol açabilir.

1. Kesme donanımında hasar veya çatlak olup olmadığını inceleyin. Hasarlı bir kesme donanımını kesinlikle değiştirin.
2. Hasarlı veya kör olup olmadığını anlamak için bıçağa bakın.

**Not:** Bilendikten sonra bıçağı dengelemek gerekir. Bıçağın bir servis merkezinde bilenmesini, değiştirilmesini ve dengelenmesini sağlayın. Ürünün durmasına neden olan bir engele çarparsanız hasarlı bıçağı değiştirin. Bıçağın bilenip bilenmeyeceğini veya değiştirmek gerekip gerekmediğine servis merkezinin karar vermesini sağlayın.

<sup>183</sup> Ürün ağır yükte veya yüksek ortam sıcaklıklarında kullanılıyorsa motor yağını her 25 saatte bir değiştirin.

<sup>184</sup> Tozlu koşullarda veya havada döküntü varsa daha sık temizleyin. Çok kirliyse hava filtresini değiştirin.

## Bıçağı deęiřtirme

1. Bıçağı aħřap bir blokla kilitleyin. (řek. 37)
2. Bıçak civatasını ve yaylı rondelayı çıkarın.
3. Bıçağı sökün.
4. Bıçak desteęinde ve bıçak civatasında hasar olup olmadığını kontrol edin.
5. Motor milini inceleyip bükülmedięinden emin olun.
6. Yeni bıçak taktığınızda bıçağın açılı uçlarını kesme kapağı yönüne doęrultun. (řek. 38)
7. Bıçağın, motor milinin orta kısmıyla hizalandığından emin olun.
8. Bıçağı aħřap bir blokla kilitleyin. Yaylı rondela takıp civatayı ve rondelayı 45–60 Nm'lik torkla sıkın. (řek. 39)
9. Bıçağı elinizle çekerek döndürün ve serbestçe döndüğünden emin olun.



**UYARI:** Aęır hizmet tipi eldiven kullanın. Bıçak çok keskindir ve kolaylıkla kesiklere yol açabilir.

10. Bıçağı test etmek için ürünü çalıştırın. Bıçak doęru bir řekilde takılmadıysa üründe titreřim olur veya kesme işleminin sonucu başarısızdır.

## Yaę seviyesini kontrol etme



**DİKKAT:** Yaę seviyesinin çok düşük olması motora zarar verebilir. Ürünü çalıştırmadan önce yaę seviyesini kontrol edin.

1. Ürünü düz bir zemine koyun.
2. Yaę deposu kapağını ve takılı yaę çubuğunu çıkarın.
3. Yaę çubuğundaki yağı temizleyin.
4. Yaę seviyesini doęru bir řekilde belirtmesi için yaę çubuğunu tamamen yaę deposuna itin. Yaę deposu kapağını takmayın.
5. Yaę deposu kapağını ve takılı yaę çubuğunu çıkarın.
6. Yaę çubuğundaki yaę seviyesini kontrol edin.
7. Yaę seviyesi düşükse motor yağı doldurun ve yaę seviyesini tekrar kontrol edin. (řek. 40)

**Not:** Dökülmeyi önlemek için huni kullanın.

8. Yaę seviyesi doęru olduęunda yaę deposu kapağını takın.

## Motor yağının deęiřtirilmesi



**UYARI:** Motor yağı, motor durdurulduktan hemen sonra çok sıcakır. Motor yağını boşaltmadan önce motorun soęumasını bekleyin. Cildinize motor yağı dökülürse sabun ve suyla temizleyin.

(řek. 41)

1. Ürünü yakıt deposu boşalana kadar çalıştırın.
2. Ateřleme kablosunu bujiden çıkarın.
3. Yaę deposu kapağını ve takılı yaę çubuğunu çıkarın.
4. Ürünün altına motor yağını alacak bir kap yerleřtirin.
5. Ürünü eğin veya yaę deposundaki motor yağını bir yaę pompası (aksesuar) yardımıyla boşaltın.
6. *Teknik veriler sayfa*da: 377 bölümünde tavsiye edilen tipte yeni motor yağı doldurun.
7. Yaę seviyesini kontrol edin. Bkz. *Yaę seviyesini kontrol etme sayfa*da: 374.
8. Yaę seviyesi doęru olduęunda yaę deposu kapağını takın.

## Köpük plastik filtreyi temizleme



**DİKKAT:** Hava filtreleri olmadan motoru çalıştırmayın. Hava kirliyse motorun aşınması artar.

1. Hava filtresi kapağını (A) çıkarın. (řek. 42)
2. Köpük plastik filtreleri (B) çıkarın.



**DİKKAT:** Köpük plastik filtrelerde hasar veya aşınma olup olmadığını kontrol edin. Tüm hasarlı köpük plastik filtreleri deęiřtirin.

3. Köpük plastik filtreleri su ve sabunla temizleyin.
4. Köpük plastik filtreleri temiz suya batırın.
5. Köpük plastik filtrelerdeki suyu sıkıp filtreleri kurumaya bırakın.



**DİKKAT:** Basınçlı hava kullanmayın. Aksi halde köpük plastik filtre zarar görebilir.

6. Köpük plastik filtreyi motor yağıyla yağlayın.
7. Fazla yağı temizlemek için köpük plastik filtreye temiz bir bez bastırın.
8. Köpük plastik filtreleri takın. Köpük plastik filtrelerin hava filtresi tutucusuna tamamen oturduğundan emin olun.
9. Hava filtresi kapağını takın.

## Bujinin kontrolü



**DİKKAT:** Daima önerilen tipte buji kullanın. Yanlıř buji türü ürüne zarar verebilir.

- Motor gücü düşükse, çalıştırılması kolay deęilse veya rölandite düzgün bir řekilde çalışmıyorsa bujii kontrol edin.
- Bujii elektrotlarında istenmeyen madde riskini azaltmak için řu talimatlara uyun:

- a) Rölantinin doğru ayarlandığından emin olun.
  - b) Yakıt karışımının doğru olduğundan emin olun.
  - c) Hava filtresinin temiz olduğundan emin olun.
- Buji kirliyse temizleyin ve elektrot boşluğunun doğru olduğundan emin olun, bkz. *Teknik veriler sayfa: 377*. (Şek. 43)
  - Gerekirse bujiyi değiştirin.

## Yakıt sistemini kontrol etme

- Hasar olmadığından emin olmak için yakıt tankı kapağını ve yakıt tankı kapağının contasını inceleyin.
- Sızıntı olmadığından emin olmak için yakıt hortumunu inceleyin. Yakıt hortumu hasarlıysa bir servis noktasında değiştirilmesini sağlayın.

## Yakıt deposunu boşaltma

1. Yakıt deposunun altına bir kap yerleştirin.
2. Yakıt deposu kapağını çıkarın.
3. Yakıt hortumundaki hortum klipslerini karbüratöre doğru itin.
4. Yakıt hortumunu karbüratörden çıkartın.
5. Yakıt deposu hortumunu kaba yerleştirin ve hortum klipslerini çıkarın.
6. Ürünü eğin ve yakıtı kaba boşaltın.

## Yakıt filtresini değiştirme



**UYARI:** Koruyucu eldivenler kullanın.

1. Yakıt deposunu boşaltın.

2. Hortum klipsini yakıt deposundan uzağa alın. (Şek. 44)
3. Yakıt hortumunu yakıt deposundan çıkarın. Az miktarda yakıt sızabilir. (Şek. 45)
4. Yakıt filtresini yakıt deposundan çıkarın. (Şek. 46)
5. Yakıt deposuna yeni bir yakıt filtresi takın.
6. Yakıt hortumunu yakıt deposuna takın.
7. Hortum klipsini yakıt deposundaki yerine yerleştirin.

## Kavrama kablosunu ayarlama (LC 140SP)

Aşağıdaki durumlarda kavrama kablosunun uzunluğunun azaltılması gerekir:

- Tahrik kolunu veya hız kontrol kolunu çektiğinizde tekerleklerin tahriki devreye girmese.
- Tekerleklerin tahriki devreye ürün yavaş hareket ederse.

Aşağıdaki durumlarda kavrama kablosu uzunluğunun artırılması gerekir:

- Tekerleklerin tahriki devrede değilken ürün hareket ederse.
- Kavrama kablosunu ayarlayın.
  - a) Kavrama kablosunun uzunluğunu azaltmak için ayar vidasını saat yönünün tersine çevirin.
  - b) Kavrama kablosunun uzunluğunu artırmak için ayar vidasını saat yönünde çevirin. (Şek. 47)

Üründeki tahrik, ayarlama sonra da yetersiz kalmaya devam ederse servis bayinizle görüşün

## Motor sorunlarını giderme

Sorun	Olası neden	Çözüm
Motor çalışmıyor.	Ateşleme kablosu doğru bir şekilde bağlanmamıştır.	Ateşleme kablosunu bujiye bağlayın.
	Yakıt deposu boştur.	Yakıt deposunu doğru tipte yakıtla doldurun.
	Yakıt eskidir.	Yakıt deposunu ve karbüratörü boşaltın. Yeni benzin doldurun.
	Karbüratör veya yakıt hattında kir vardır.	Karbüratörü ve/veya yakıt hattını temizleyin.
	Buji hasarlıdır.	Elektrot boşluğunu ayarlayın, bujiyi temizleyin veya değiştirin.
	Bujinin üstünde yakıt vardır.	Bujiyi temizleyin.
Motor durmuyor.	Durdurma mekanizması düzgün çalışmıyordur.	Ateşleme kablosunu bujiden ayırın. Yetkili bir servis noktasında ürünü tamir ettirin.

Sorun	Olası neden	Çözüm
Motor düzgün çalışmıyor.	Ateşleme kablosu doğru bir şekilde bağlanmamıştır.	Ateşleme kablosunu bujiye bağlayın.
	Yakıt hattında kir vardır veya yakıt eskimiştir.	Yakıt hattını temizleyin. Yakıt deposunu doğru tipte yeni bir yakıtla doldurun.
	Yakıt deposu kapağı tıkanmıştır.	Yakıt deposu kapağını temizleyin.
	Yakıt sisteminde su veya kir vardır.	Yakıt deposunu boşaltın. Yakıt deposunu doğru tipte yeni bir yakıtla doldurun.
	Hava filtresi kirlidir.	Hava filtresini temizleyin.
	Karbüratörün ayarlanması gerekiyordu.	Servis bayisine karbüratörü ayarlatın.
Motor çok ısınıyor.	Motor yağı seviyesi çok düşüktür.	Motor yağı doldurun.
	Hava akışı yeterli değildir.	Hava filtresini ve hava filtresi yuvasını temizleyin.
	Karbüratörün ayarlanması gerekiyordu.	Servis bayisine karbüratörü ayarlatın.
Yüksek hızda çalışırken motorda teklemeye var.	Bujideki elektrot boşluğu çok azdır.	Elektrot boşluğunu ayarlayın.
Normal yükteyken motordan oluşan dış sesler geliyor.	Yanlış benzin tipi.	Yakıt deposunu ve karbüratörü boşaltın. Yeni benzin doldurun. Bkz. <i>Yakıt doldurma sayfa: 371</i> . Sorun devam ederse yerel servis bayinize başvurun.
Motor, rölantide düzgün çalışmıyor.	Buji kirlidir, hasarlıdır veya elektrot boşluğu çok geniştir.	Elektrot boşluğunu ayarlayın veya bujiyi değiştirin.
	Karbüratörün ayarlanması gerekiyordu.	Karbüratörü ayarlayın.
	Hava filtresi kirlidir.	Hava filtresini temizleyin.

## Taşıma, depolama ve atma

### Taşıma ve saklama

- Ürün ile yakıtı taşımak ve saklamak için sızıntı veya duman olmadığından emin olun. Örneğin, elektrikli cihazlardan veya kazanlardan kaynaklanan kıvılcım veya açık alevler yangın çıkarabilir.
- Yakıtı taşımak ve saklamak için her zaman onaylı kaplar kullanın.
- Ürünü uzun bir süre için saklama yerine koymadan önce yakıt tankını boşaltın. Yakıtı uygun bir çöp atma merkezinde bertaraf edin
- Hasar veya kaza olmasını önlemek için taşıma sırasında ürünü güvenli bir şekilde bağlayın.

- Çocukların veya yetkili olmayan kişilerin erişmesini önlemek için ürünü kilitli bir alanda tutun.
- Ürünü kuru ve donmayan bir yerde tutun.

### Atma

- Yerel geri dönüşüm gerekliliklerine ve geçerli düzenlemelere uyun.
- Motor yağı veya yakıt gibi kimyasalları servis merkezinde veya uygun bir atık noktasında atın.
- Ürün artık kullanılmıyorsa ürünü Husqvarna bayisine gönderin veya geri dönüşüm noktasında atın.



## Teknik veriler

### Teknik veriler

	LC 140P	LC 140SP
<b>Motor</b>		
Marka	Husqvarna	Husqvarna
Motor modeli adı	HS 123A	HS 123A
Motor tipi	Tek silindirli, 4 Zamanlı, Basınçlı Havayla Soğutma, OHV	Tek silindirli, 4 Zamanlı, Basınçlı Havayla Soğutma, OHV
Hacim, cm <sup>3</sup>	123	123
Devir, dev/dak	3000	3000
Nominal motor çıkış gücü, kW <sup>185</sup>	1,95	1,95
<b>Ateşleme Sistemi</b>		
Buji	Husqvarna HQT-7	Husqvarna HQT-7
Elektrot boşluğu, mm	0,7-0,8	0,7-0,8
<b>Yakıt ve yağlama sistemi</b>		
Motor yağlama türü	Çarpmalı yağlama	Çarpmalı yağlama
Yakıt deposu kapasitesi, litre	0,9	0,9
Yağ deposu kapasitesi, litre	0,5	0,5
Motor yağı <sup>186</sup>	Husqvarna SAE 30, Husqvarna SAE 5W-30 Sentetik, Husqvarna SAE 10W-40	Husqvarna SAE 30, Husqvarna SAE 5W-30 Sentetik, Husqvarna SAE 10W-40
<b>Ağırlık</b>		
Boş depolarla birlikte, kg	25,2	26,8
<b>Gürültü emisyonu</b> <sup>187</sup>		
Ses gücü düzeyi, ölçülmüş dB(A)	93	93
Ses gücü düzeyi, garantili, L <sub>WA</sub> dB(A)	94	94
<b>Ses düzeyleri</b> <sup>188</sup>		
Operatörün kulağındaki ses basıncı düzeyi, dB(A)	82	82

<sup>185</sup> Motor için gösterilen güç derecesi SAE J1349/ISO1585 standardına göre ölçülen motor modeli için tipik bir üretim motorunun (belirlenmiş dev/dak'da) ortalama net güç çıkışıdır. Seri üretim motorları bu değerden farklı olabilir. Ürünün son haline takılan motorun gerçek güç çıkışı çalışma hızına, çevre koşullarına ve diğer değerlere bağlıdır.

<sup>186</sup> API SJ veya daha yüksek kalitede motor yağı kullanın. SAE-30 yağ, +5°C'nin altındaki sıcaklıkta kullanılırsa motoru yeterince yağlayamayabilir. Bu, motora zarar verebilir. Düşük sıcaklıklara yönelik doğru yağ için bkz. *Motor yağının değiştirilmesi sayfa: 374*. Motor kılavuzundaki (birlikte verilmişse) viskozite tablosuna bakarak beklenen dış ortam sıcaklığına göre en iyi viskoziteyi seçin.

<sup>187</sup> 2000/14/AT sayılı AT direktifi uyarınca ses gücü (L<sub>WA</sub>) olarak çevrede ölçülen gürültü emisyonu düzeyi.

<sup>188</sup> Ses basıncı düzeyi için bildirilen verilerdeki tipik istatistik dağılım (standart sapma) 1,2 dB(A) şeklindedir.

	LC 140P	LC 140SP
<b>Titreşim düzeyleri</b> <sup>189</sup>		
Tutma çubuğundaki titreşim, m/sn <sup>2</sup>	5,6	7,6
<b>Kesme ekipmanı</b>		
Kesim yüksekliği, mm	25-75	25-75
Kesim genişliği, mm	400	400
Kesim sistemi	Toplama/Arkadan boşaltma	Toplama/Arkadan boşaltma
Bıçaklar - standart	Toplama 5873863-10	Toplama 5873863-10
Çim toplama sepeti kapasitesi, litre	50	50
<b>Tahrik</b>		
Kendi kendine yürüme hızı, km/sa	-	4

<sup>189</sup> Titreşim düzeyi için bildirilen verilerdeki tipik istatistik dağılım (standart sapma) 0,2 m/sn<sup>2</sup> şeklindedir.

# Uyumluluk Bildirimi

## AB Uyumluluk Bildirimi

Biz, **Husqvarna AB**, SE-561 82 Huskvarna, İsveç, tel: +46-36-146500 olarak tek sorumlu vasfıyla ürüne ilişkin aşağıdaki beyanlarda bulunmaktayız:

<b>Açıklama</b>	Çim Bıçme Makinesi
<b>Marka</b>	Husqvarna
<b>Tip/Model</b>	LC 140P, LC 140SP
<b>Kimlik</b>	2022 ve sonrası tarihli seri numaraları

aşağıdaki AB direktifleri ve yönetmelikleriyle tamamen uyumludur:

Düzenleme	Açıklama
2006/42/AT	"makinelele ilgili"
2014/30/AB	"elektromanyetik uyumlulukla ilgili"
2000/14/AT	"çevredeki gürültü emisyonlarıyla ilgili"
2011/65/AB	"elektrikli ve elektronik ekipmanlarda belirli tehlikeli maddelerin kullanımının kısıtlanmasıyla ilgili"

ve aşağıdaki standartlar ve/veya teknik özellikler uygulanmıştır: EN ISO 5395-1:2013/A1:2018, EN ISO 5395-2:2013/A1:2016/A2:2017, EN ISO 14982:2009, EN IEC 63000:2018

Onaylanmış Kuruluş: 0404, RISE SMP Svensk Maskinprovning AB, Box 4053, SE-904 03 Umeå, Sweden 2000/14/AT konsey direktifi, uyumluluk değerlendirme prosedürü: Ek VI ile uyumluluğu belgelemiştir.

Gürültü emisyonları ile ilgili bilgi için bkz. *Teknik veriler sayfada: 377.*

Huskvarna, 2022-09-27



Claes Losdal, Geliştirme Müdürü/Bahçe Ürünleri  
Husqvarna AB

Teknik dokümantasyon sorumlusu

Türk ithalat şirketi daha fazla bilgi için temas edilecek:  
Çullas Orman Bahçe ve Tarım Mak. San. Tic. A.Ş.  
Suadiye Mh. Bağdat Cd. No:455/4  
Kadıköy – 34740 İstanbul / Türkiye  
Telefon: +90 216 519 88 82  
Faks: +90 216 519 88 78  
info@cullas.com.tr



---

## Зміст

---

Вступ.....	380	Усунення несправностей двигуна.....	390
Безпека.....	381	Транспортування, зберігання й утилізація.....	391
Збирання.....	384	Технічні характеристики.....	391
Експлуатація.....	385	Декларація відповідності.....	394
ТЕХНІЧНЕ ОБСЛУГОВУВАННЯ.....	386		

---

## Вступ

---

### Опис виробу

Цей виріб – обертальна газонокосарка, керована пішим оператором. Трава збирається в травозбірник. Для того, щоб трава викидалася ззаду, приборіть травозбірник.

### Огляд виробу

(Мал. 1)

1. Ручка / рукоятка
2. Приводна скоба (LC 140SP)
3. Рукоятка стартера
4. Травозбірник
5. Паливний бак
6. Повітряний фільтр
7. Свічка запалювання
8. Кожух леза
9. Глушник
10. Кришка бака для оливи
11. Важіль регулювання висоти різання
12. Задній кожух
13. Ручка зупинення двигуна
14. Позначення
15. Нижня ручка в зборі
16. Нижня ручка
17. Посібник користувача
18. Лійка для оливи

### Символи на виробі

(Мал. 2) **ПОПЕРЕДЖЕННЯ!** Будьте обережні й використовуйте виріб належним чином. Він може спричинити серйозні травми або загибель оператора чи сторонніх осіб.

(Мал. 3) Перед початком використання виробу уважно прочитайте посібник користувача й переконайтеся, що зрозуміли всі вказівки.

(Мал. 4) Остерігайтеся рикошету й об'єктів, які можуть вилітати з-під виробу.

### Призначення

Користуйтеся виробом для зрізання трави. Забороняється використовувати виріб для інших завдань.

(Мал. 5) Сторонні особи та тварини повинні перебувати на безпечній відстані від робочої зони.

(Мал. 6) **Увага!** Тримайте руки й ноги на безпечній відстані від леза, що обертається.

(Мал. 7) **Увага!** Тримайте руки та ноги на відстані від деталей, що обертаються.

(Мал. 8) Перед проведенням ремонтних робіт або обслуговування необхідно зупинити двигун та витягнути провід запалювання.

(Мал. 9) Цей виріб відповідає вимогам відповідних директив ЄС.

(Мал. 10) Етикетка з інформацією щодо шумових викидів у навколишнє середовище відповідно до вимог директив і нормативних актів ЄС і Сполученого Королівства та Закону про збереження навколишнього середовища (контроль шуму) 2017 р. Нового Південного Уельсу. Гарантований рівень звукової потужності виробу вказано в розділі *Технічні характеристики на сторінці 391* і на етикетці.

(Мал. 11) Цей виріб відповідає вимогам застосованих норм Сполученого Королівства.

(Мал. 12) Небезпека загоряння.

(Мал. 13) Не вдихайте вихлопні гази. Вихлопні гази з двигуна містять монооксид вуглецю – отруйний і дуже небезпечний газ без запаху. Забороняється заводити двигун у приміщенні чи в замкнутому просторі.

(Мал. 14) Гаряча поверхня.

(Мал. 15) Перш ніж запускати виріб, залийте оливу у двигун.

---

**Зверніть увагу:** Інші позначення/бирки на виробі стосуються сертифікаційних вимог для певних торгових зон.

---

## Відповідає вимогам європейського екологічного стандарту Євро-5

---



**ПОПЕРЕДЖЕННЯ:** Внесення змін у двигун позбавляє чинності сертифікацію ЄС для цього виробу.

---

---

## Безпека

---

### Визначення щодо безпеки

Попередження, застереження й примітки служать для наголошення на особливо важливих положеннях посібника.



**ПОПЕРЕДЖЕННЯ:** Вказує на те, що в разі порушення інструкцій, наведених у цьому посібнику, існує небезпека поранення або смерті оператора чи інших осіб, що знаходяться поруч.

---



**УВАГА:** Вказує на те, що в разі порушення інструкцій, наведених у цьому посібнику, існує небезпека пошкодження виробу, інших матеріалів або навколишніх об'єктів.

---

**Зверніть увагу:** Використовується для надання додаткової інформації щодо певної ситуації.

---

### Загальні правила техніки безпеки

---



**ПОПЕРЕДЖЕННЯ:** Перш ніж розпочати використання виробу, уважно прочитайте наведені нижче попередження.

---

### Пошкодження виробу

Ми не несемо відповідальності за пошкодження, якщо:

- виріб було неправильно відремонтовано;
- виріб було відремонтовано із використанням деталей, виготовлених не виробником або не затверджених ним;
- виріб обладнано аксесуаром, виготовленим не виробником або не затвердженим ним;
- виріб було відремонтовано в неавторизованому сервісному центрі або неавторизованою компанією;

- Цей виріб може бути небезпечним у разі неправильного або недбалоого використання. Порушення правил техніки безпеки може призвести до травм або смерті.
- Під час роботи цього виробу утворюється електромагнітне поле. Це поле може за деяких умов взаємодіяти з активними чи пасивними медичними імплантатами. Щоб зменшити ризик тяжких або смертельних травм, рекомендуємо особам із медичними імплантатами проконсультуватися зі своїм лікарем і виробником медичного імплантату перед початком експлуатації цього виробу.
- Завжди будьте обережні й керуйтеся здоровим глуздом. Якщо ви маєте сумніви щодо того, як користуватися виробом у конкретній ситуації, припиніть роботу й проконсультуйтеся з дилером Husqvarna.
- Пам'ятайте, що оператор несе відповідальність за нещасні випадки, у результаті яких постраждали інші особи або їхнє майно.
- Тримайте пристрій у чистоті. Переконайтеся, що знаки та наклейки читабельні.
- Не дозволяйте використовувати виріб стороннім особам доки не переконаєтеся, що вони прочитали й зрозуміли весь зміст посібника користувача.
- Не дозволяйте дітям використовувати виріб.
- Не підпускайте до робочої зони дітей. Біля виробу, що працює, має завжди перебувати відповідальна доросла особа.

- Не дозволяйте використовувати прилад особам, що не ознайомилися з інструкціями.
- Завжди наглядайте за особами з обмеженими фізичними чи розумовими можливостями, які використовують виріб. Біля виробу, що працює, має завжди перебувати відповідальна доросла особа.
- Забороняється використовувати виріб, якщо ви втомлені, хворі, чи перебуваєте під впливом наркотиків, алкоголю або медикаментів. Ці фактори мають негативний вплив на ваш зір, зосередженість, свідомість і координацію рухів.
- Не використовуйте виріб, який пошкоджений або не працює належним чином.
- Заборонено вносити зміни в конструкцію виробу чи використовувати виріб, якщо є підозра, що його було змінено сторонніми особами.
- Не змінюйте налаштування керування частотою обертання двигуна.

уважно прочитайте наведені нижче попередження.

- Використовуйте виріб лише для скошування трав'яних газонів. Заборонено використовувати виріб для інших цілей.
- Використовуйте засоби індивідуального захисту. Див. *Засоби індивідуального захисту на сторінці 383*.
- Дізнайтеся, як швидко зупинити двигун в екстреній ситуації.
- Забороняється запускати двигун у закритому приміщенні або поблизу легкозаймистих матеріалів. Вихлопні дими мають високу температуру й можуть містити іскри, що можуть призвести до пожежі.
- Забороняється використовувати виріб без правильно встановленого леза та всіх кожухів. Неправильно встановлене лезо може від'єднатися й призвести до травм.
- Слідкуйте, щоб лезо не зачіпляло сторонні предмети на кшталт каміння та коріння. Це може призвести до пошкодження леза та згинання вала двигуна. Зігнута вісь викликає значні вібрації та призводить до ризику від'єднання леза від виробу.
- У разі удару леза об будь-який сторонній предмет чи появи вібрації негайно зупиніть виріб. Від'єднайте провід запалювання від свічки запалювання. Перевіряйте виріб на наявність пошкоджень. Виправляйте пошкодження або здавайте виріб на ремонт в авторизований центр обслуговування.
- Забороняється закріплювати ручку зупинення двигуна на рукоятці, коли працює двигун.
- Поставте виріб на тверду рівну поверхню та увімкніть його. При цьому лезо не повинно торкатися землі або інших предметів.
- Під час роботи з виробом завжди залишайтеся позаду нього.
- Під час роботи з виробом усі колеса мають залишатися на землі, а обидві руки треба тримати на ручці. Тримайте руки та ноги на відстані від лез, що обертаються.
- Не нахилийте виріб, коли двигун увімкнений.
- Будьте обережні під час руху у зворотному напрямку.
- Забороняється піднімати виріб коли двигун увімкнений. Якщо виріб треба підняти, спочатку вимкніть двигун та від'єднайте провід запалювання від свічки запалювання.
- Не рухайтесь у зворотному напрямку під час роботи з виробом.
- Вимикайте двигун під час руху через ділянки без трави на кшталт доріжок із гравію, каменю або асфальту.
- Не бігайте з виробом, коли двигун увімкнений. Під час роботи з виробом необхідно ходити зі звичайною швидкістю.

## Безпека в робочій зоні



**ПОПЕРЕДЖЕННЯ:** Перш ніж розпочати використання виробу, уважно прочитайте наведені нижче попередження.

- Перед використанням виробу приберіть з робочої зони всі гілки, лозу та каміння.
- Предмети, що потраплять на різальне обладнання, можуть відлетіти та поранити сторонніх осіб або пошкодити інші предмети. Сторонні особи та тварини повинні знаходитися на безпечній відстані від виробу.
- Забороняється використовувати виріб за поганої погоди на кшталт туману, дощу, сильного вітру, значного холоду або грози. Робота в погану погоду або на вологих ділянках виснажує. Погана погода може стати причиною небезпечних умов роботи, таких як слизькі поверхні.
- Бережіться осіб, предметів та ситуацій, які можуть зашкодити безпечній роботі виробу.
- Бережіться перешкод на кшталт коріння, каміння, гілок, ям або канав. Висока трава може приховувати перешкоди.
- Скошування трави на схилах може бути небезпечним. Не використовуйте виріб на ділянках із нахилом понад 15°.
- Використовуйте виріб на схилах у горизонтальному напрямку. Не рухайтесь ввєрх і вниз.
- Будьте обережні, наближаючись до прихованих кутів та предметів, які можуть закривати поле зору.

## Техніка безпеки



**ПОПЕРЕДЖЕННЯ:** Перш ніж розпочати використання виробу,

- Вимикайте двигун, перш ніж змінювати висоту різання. Забороняється виконувати регулювання при ввімкненому двигуні.
- Забороняється залишати виріб без нагляду коли двигун працює. Зупиніть двигун та переконайтеся, що ріжуче обладнання не обертається.

## Правила техніки безпеки під час використання

### Засоби індивідуального захисту



**ПОПЕРЕДЖЕННЯ:** Перш ніж розпочати використання виробу, уважно прочитайте наведені нижче попередження.

- Особисте захисне спорядження не може повністю усунути небезпеку травмування, але при нещасному випадку воно знизить ступінь важкості травми. Дозвольте дилеру допомогти вам із вибором підходящого обладнання.
- Використовуйте засоби захисту органів слуху, якщо рівень шуму перевищує 85 дБ.
- Використовуйте взуття із захистом від ковзання для роботи у важких умовах. Забороняється використовувати відкрите взуття або працювати взагалі без нього.
- Використовуйте цупкі довгі штани.
- За потреби використовуйте рукавички, наприклад, якщо необхідно приєднати, оглянути або почистити різальне обладнання.

### Запобіжне обладнання на виробі



**ПОПЕРЕДЖЕННЯ:** Перш ніж розпочати використання виробу, уважно прочитайте наведені нижче попередження.

- Не використовуйте виріб із запобіжними пристроями, які пошкоджені або не працюють належним чином.
- Регулярно перевіряйте захисні пристрої. Якщо запобіжні пристрої пошкоджені або не працюють належним чином, зверніться до дилера з обслуговування Husqvarna.
- Не вносьте зміни до захисних пристроїв.

### Перевірка кожуха леза

Кожух леза частково поглинає вібрацію виробу та знижує небезпеку травмування лезом.

- Огляньте кожух леза та переконайтеся, що він не має пошкоджень на кшталт тріщин.

### Перевірка ручки зупинення двигуна

Ручка зупинення двигуна зупиняє двигун. За відпускання ручки зупинення двигуна він зупиняється.

- Запустіть двигун, а потім відпустіть ручку зупинення двигуна. Якщо двигун не зупиняється протягом 3 секунд, необхідно передати виріб в авторизований центр обслуговування Husqvarna для налаштування гальма двигуна. (Мал. 16)

### Глушник

Глушник зменшує рівень шуму та відводить вихлопні гази подалі від оператора.

Не використовуйте виріб із пошкодженим глушником або взагалі без глушника. Пошкоджений глушник збільшує рівень шуму та підвищує небезпеку загоряння.



**ПОПЕРЕДЖЕННЯ:** Під час роботи виробу та відразу після роботи, а також під час роботи двигуна на холостих обертах глушник сильно нагрівається. Зважайте на легкозаймисті матеріали та/або випари, щоб не допустити пожежі.

### Заходи безпеки під час заправки палива



**ПОПЕРЕДЖЕННЯ:** Перш ніж розпочати використання виробу, уважно прочитайте наведені нижче попередження.

- Не запускайте виріб, якщо на ньому залишилося пальне або моторна олива. Приберіть непотрібне пальне / оливу та дайте виробу просохнути.
- Якщо ви пролили пальне на свій одяг, негайно переодягніться.
- Не допускайте потрапляння пального на тіло, адже це може призвести до травм. Для видалення пального, що потрапило на тіло, використовуйте мило та воду.
- Не запускайте виріб у разі наявності протікання у двигуні. Регулярно перевіряйте двигун на протікання.
- Будьте обережні з пальним. Пальне є легкозаймистою речовиною, а його пари вибухонебезпечні та можуть призвести до травм або смерті.
- Не вдихайте вихлопні гази, це може призвести до травм. Забезпечте належне провітрювання.
- Не паліть біля пального або двигуна.
- Не кладіть біля пального або двигуна теплі предмети.
- Не доливайте пальне, коли двигун працює.
- Перед заправленням переконайтеся, що двигун охолонув.

- Перед заправленням повільно відкрийте кришку паливного бака, обережно зменшивши тиск.
- Не заправляйте виріб у приміщенні. Недостатнє провітрювання може призвести до травм або смерті внаслідок задухи чи отруєння монооксидом вуглецю.
- Затягніть до упору кришку паливного бака. Якщо кришку паливного бака не затягнуто, існує ризик виникнення пожежі.
- Перед запуском пересуньте виріб щонайменше на 3 м від місця, де ви заправляли його.
- Не заповнюйте паливний бак повністю. Під впливом високої температури паливо розширюється. Залиште трохи вільного місця вгорі паливного бака.
- Ніколи не зберігайте виріб із паливом у паливному баку в приміщенні, де є джерела запалювання, наприклад водонагрівачі, обігрівачі, сушарки для одягу тощо. Дайте двигуну охолонути, перш ніж ставити машину на зберігання в закриті приміщення.
- Вихлопні гази з двигуна містять монооксид вуглецю, отруйний та дуже небезпечний газ без запаху. Забороняється заводити виріб у приміщенні чи в замкнутому просторі.
- Перед тим, як почати технічне обслуговування виробу, вимкніть двигун та від'єднайте провід запалювання від свічки запалювання.
- Під час технічного обслуговування різального обладнання використовуйте захисні рукавиці. Лезо дуже гостре, ним можна легко порізатися.
- Встановлення аксесуарів, виготовлених не виробником, або внесення змін, не затверджених ним, може призвести до серйозної травми чи смерті. Вносити зміни в виріб забороняється. Використовуйте лише сертифіковані виробником аксесуари.
- Якщо не проводити правильне та регулярне технічне обслуговування, виникає небезпека травм та пошкодження виробу.
- Виконуйте технічне обслуговування лише так, як це наведено в цьому посібнику користувача. Будь-які інші види обслуговування повинні проводитися в авторизованому центрі обслуговування Husqvarna.
- Регулярне обслуговування виробу може проводити авторизований центр обслуговування Husqvarna.
- Замінійте пошкоджені, зношені або зламані деталі.

## Правила техніки безпеки під час обслуговування



**ПОПЕРЕДЖЕННЯ:** Перш ніж розпочати використання виробу, уважно прочитайте наведені нижче попередження.

## Збирання

### Монтаж ручки

1. Вставте гвинт (A) таким чином, щоб він пройшов крізь ручку (B), пластикову шайбу (C) й кріпильну скобу ручки (D). (Мал. 17)
2. Повністю затягніть гайку (E).
3. Вставте гвинт (F) крізь шайбу (G) й кріпильну скобу ручки.
4. Повністю затягніть фіксуючу голівку (H).
5. Вирівняйте отвори в рукоятці відповідно до отворів у нижній ручці та встановіть гвинти, шайби та фіксуючі голівки. Надійно затягніть фіксуючі голівки. (Мал. 18)
6. Приєднайте кабелі до ручки за допомогою тримачів. (Мал. 19)

**Зверніть увагу:** Переконайтеся, що натяг кабелів не занадто високий. Надмірний натяг може пошкодити кабель, якщо ручку складено в положення для транспортування.

7. Повісьте кабелі на гачок, розташований унизу ручки. (Мал. 20)

### Налаштування висоти ручки

1. Відпустіть нижні фіксувальні голівки. (Мал. 21)
2. Змініть фіксувальну голівку, гайки та гвинт зліва та справа.
3. Доступні два варіанти висоти встановлення ручки. Вставте гвинт в один із двох отворів зліва та справа. (Мал. 22)
4. Встановіть гвинти, шайби та фіксуючі голівки.
5. Пересуньте голівки вгору в напрямку ручки, доки вони не зупиняться та ви не почуєте клацання. Надійно затягніть фіксуючі голівки. (Мал. 23)

### Встановлення виробу в положення для транспортування

1. Змініть травозбірник.
2. Відпустіть фіксувальні голівки на верхній частині ручки й складіть ручку. (Мал. 24)
3. Відпустіть нижні фіксувальні голівки.
4. Пересуньте фіксувальні голівки в нижню частину прорізів зліва й справа виробу. (Мал. 25)
5. Складіть ручку вперед. (Мал. 26)



## Встановлення виробу в положення для експлуатації

1. Підніміть рукоятку, щоб її нижня частина зафіксувалася в робочому положенні. (Мал. 27)
2. Пересуньте фіксувальні головки вгору в напрямку ручки, доки вони не зупиняться й ви не почуєте клацання.
3. Надійно затягніть фіксувальні головки. (Мал. 28)
4. Підніміть верхню частину рукоятки.
5. Надійно затягніть фіксувальні головки. (Мал. 29)

## Монтаж травозбірника

1. Установіть верхню частину травозбірника на його нижню частину. (Мал. 30)
2. Зафіксуйте раму травозбірника за допомогою затискачів. (Мал. 31)
3. Підніміть задню кришку.
4. Під'єднайте гаки травозбірника до верхньої кромки рами. (Мал. 32)
5. Встановіть нижню частину травозбірника в канал викидання трави.

## Експлуатація

### Вступ



**ПОПЕРЕДЖЕННЯ:** Перед експлуатацією виробу обов'язково прочитайте й усвідомте зміст розділу про заходи безпеки.

### Husqvarna Connect

Husqvarna Connect є безкоштовною програмою для мобільного пристрою. У програмі Husqvarna Connect доступна ціла низка розширених функцій для користування Husqvarna:

- розширена інформація про виріб;
- відомості про деталі й обслуговування виробу, а також довідкова інформація.

### Щоб почати користуватися Husqvarna Connect

1. Завантажте програму Husqvarna Connect на свій мобільний пристрій.
2. Зареєструйтеся в програмі Husqvarna Connect.
3. Виконайте кроки з реєстрації в програмі Husqvarna Connect, щоб під'єднати та зареєструвати виріб.

### Перед початком роботи з виробом

1. Уважно прочитайте посібник користувача та переконайтеся, що ви зрозуміли всі вказівки.
2. Огляньте різальне обладнання та переконайтеся, що воно правильно встановлено та налаштовано. Див. *Перевірка різального обладнання на сторінці 387*.
3. Наповніть паливний бак. Див. *Заправлення паливом на сторінці 385*.
4. Наповніть паливний бак та перевірте рівень оливи. Див. *Перевірка рівня оливи на сторінці 388*.

### Заправлення паливом

Якщо є можливість, використовуйте бензин із низьким рівнем викидів / алкілатне паливо. Якщо можливості використовувати бензин із низьким рівнем викидів / алкілатне паливо немає, використовуйте якісний неетилований бензин або етилований бензин з октановим числом не менше 91.



**УВАГА:** Не використовуйте бензин з октановим числом менше 91 RON. Це може призвести до пошкодження виробу.



**УВАГА:** Замінійте паливний фільтр щорічно або частіше, якщо необхідно. Новий паливний фільтр можна придбати в дилера Husqvarna.



**УВАГА:** Перед заливанням палива завжди зупиняйте двигун.



**УВАГА:** Не використовуйте рідину для запуску двигуна під тиском.

1. Повільно відкрутіть кришку паливного бака, щоб скинути тиск.
2. Повільно залийте пальне з канистри. У разі проливання пального витріть його ганчіркою або дайте йому висохнути. (Мал. 33)
3. Витріть поверхню біля кришки паливного бака.
4. Затягніть до упору кришку паливного бака. Якщо кришку паливного бака не затягнуто, існує ризик виникнення пожежі.
5. Перед запуском пересуньте виріб щонайменше на 3 м від місця, де ви заправляли його.

### Налаштування висоти різання

1. Для збільшення висоти різання потягніть важіль регулювання висоти різання назад.

- Для зменшення висоти різання потягніть важіль регулювання висоти різання вперед. (Мал. 34)



**УВАГА:** Не встановлюйте занадто низьку висоту різання. Леза можуть зачепити землю, якщо поверхня газону буде нерівною.

## Запуск виробу

- Переконайтеся, що дрiт запалювання під'єднаний до свічки запалювання.
- Залишайтеся позаду виробу.
- Утримуйте ручку зупинення двигуна біля рукоятки. (Мал. 35)
- Утримуйте ручку троса стартера правою рукою.
- Повільно потягніть ручку троса стартера доки не відчуєте деякий спротив.
- Потягніть шнур сильно, щоб запустити двигун.



**ПОПЕРЕДЖЕННЯ:** Не намотуйте трос стартера на руку.

## Підключення приводу до коліс

- Штовхніть привідну скобу в напрямку рукоятки. (Мал. 36)
- У разі наближенні до перешкоди відпустіть привідну скобу, щоб розчепити привід.

- Перш ніж рухати виріб у зворотному напрямку, розчепіть привід і штовхніть виріб уперед приблизно на 10 см.

## Зупинка виробу

- Щоб зупинити тільки привід, необхідно відпустити привідну скобу.
- Щоб зупинити двигун, необхідно відпустити ручку зупинення двигуна.

## Забезпечення ефективної роботи

- Завжди користуйтеся гострим лезом. Тупе лезо ріже нерівно, а трава на поверхні розрізу жовтіє. Крім того, гостре лезо споживає менше енергії за тупе.
- Не скошуйте більше  $\frac{1}{3}$  довжини трави. Спочатку треба виконувати скошування з великою висотою різання. Оцініть результат і зменште висоту зрізання на потрібну вам. Якщо трава дуже довга, ведіть газонокосарку повільно і виконайте скошування двічі, якщо це необхідно.
- Косіть щоразу в різних напрямках, щоб на газоні не було смуг.
- Тримайте кожух леза в чистоті. Скупчення трави й бруду на внутрішньому боці кожуха леза може негативно вплинути на результат роботи. Див. *Чищення внутрішніх поверхонь кожуха леза на сторінці 387.*

# ТЕХНІЧНЕ ОБСЛУГОВУВАННЯ

## Вступ



**ПОПЕРЕДЖЕННЯ:** Перед виконанням робіт із технічного обслуговування обов'язково прочитайте й усвідомте зміст розділу про заходи безпеки.

Для всіх робіт з обслуговування та ремонту необхідна спеціальна підготовка. Ми гарантуємо доступність послуг із професійного ремонту та обслуговування. Якщо ваш дилер не є агентом з обслуговування, зверніться до нього по інформацію щодо найближчого центру обслуговування.

Для отримання більш детальної інформації див. .

## Графік технічного обслуговування



**УВАГА:** У разі нахилання виробу переконайтеся, що повітряний фільтр розташований зверху й не направлений у бік землі. Ризик пошкодження двигуна.

Інтервали технічного обслуговування вказані з урахуванням щоденного використання виробу. Інтервали змінюються для іншої частоти використання виробу.

Указівки щодо технічного обслуговування елементів, позначених зірочкою (\*) див. у розділі *Запобіжне обладнання на виробі на сторінці 383.*

Технічне обслуговування	Щодня	Щомісяця	Щосезонно
Загальна перевірка	X		
Перевірка рівня оливи	X		

Технічне обслуговування	Щодня	Щомісяця	Щосезонно
Заміна оливи (уперше через 5 годин експлуатації, далі – кожні 50 годин експлуатації) <sup>190</sup>			X
Очищення виробу	X		
Перевірка різального обладнання	X		
Перевірка кожуха леза*	X		
Перевірка ручки зупинення двигуна*	X		
Перевірка глушника*		X	
Перевірка свічки запалювання. У разі необхідності почистьте чи замініть свічку запалювання.			X
Перевірка повітряного фільтра	X		
Почистьте повітряний фільтр <sup>191</sup>		X	
Замініть повітряний фільтр			X
Перевірка паливної системи			X
Почистьте ребра охолодження на циліндрі.		X	
Огляньте й відрегулюйте зчпний дріт (LC 140SP).			X

## Процедура загальної перевірки

- Переконайтеся, що всі гайки й гвинти на виробі затягнуто відповідним чином.

## Чищення зовнішніх поверхонь виробу

- Прибирайте листя, траву та бруд за допомогою щітки.
- Переконайтеся, що всмоктувач повітря зверху двигуна не заблокований.
- Для чищення виробу не використовуйте миючий апарат високого тиску.
- У разі використання води для чищення виробу, забороняється лити її безпосередньо на двигун.

## Чищення внутрішніх поверхонь кожуха леза

1. Вилийте паливо з паливного бака.
2. Нахиліть виріб. Упевніться, що свічка запалювання спрямована вгору.



**УВАГА:** Якщо покласти виріб повітряним фільтром донизу, може виникнути ризик пошкодження двигуна.

3. Промийте водою зі шлангу внутрішню поверхню кожуха леза.

## Перевірка різального обладнання



**ПОПЕРЕДЖЕННЯ:** Зніміть провід запалювання зі свічки запалювання, щоб попередити ненавмисний запуск.



**ПОПЕРЕДЖЕННЯ:** Під час технічного обслуговування різального обладнання використовуйте захисні рукавиці. Лезо дуже гостре, ним можна легко порізатися.

1. Перевірте різальне обладнання на наявність пошкоджень або тріщин. Обов'язково замінійте пошкоджене різальне обладнання.
2. Огляньте лезо на предмет пошкоджень або затуплення.

**Зверніть увагу:** Після гостріння леза необхідно відрегулювати його баланс. Гостріння, заміну та балансування леза необхідно проводити в центрі обслуговування. У разі потраплення на перешкоду, що призвела до зупинки двигуна, замініть пошкоджене лезо. Спеціалісти центру

<sup>190</sup> Якщо виріб працює за значного навантаження чи за високої температури навколишнього середовища, замінійте моторну оливу кожні 25 годин.

<sup>191</sup> У разі експлуатації в умовах запиленості чи за наявності викидів у повітрі виконуйте чищення частіше. Якщо повітряний фільтр дуже брудний, замініть його.

обслуговування мають провести оцінювання стану леза та надати консультацію щодо необхідності його гостріння або заміни.

## Заміна ножа

1. Зафіксуйте лезо дерев'яним брусом. (Мал. 37)
2. Зніміть болт фіксації леза й пружинну шайбу.
3. Зніміть лезо.
4. Перевірте опору леза й болт на наявність пошкоджень.
5. Перевірте, чи не погнутий вал двигуна.
6. Під час установлення нового леза спрямовуйте розміщені під кутом кінці в напрямку кожуха леза. (Мал. 38)
7. Переконайтеся, що лезо розташоване на одному рівні із центром вала двигуна.
8. Зафіксуйте лезо дерев'яним брусом. Установіть пружинну шайбу й затягніть болт і шайбу з моментом 45–60 Н·м. (Мал. 39)
9. Прокрутіть лезо рукою й переконайтеся в тому, що воно вільно обертається.



### ПОПЕРЕДЖЕННЯ:

Використовуйте міцні робочі рукавиці. Лезо дуже гостре, ним можна легко порізатися.

10. Запустіть виріб, щоб перевірити роботу леза. У разі неправильного встановлення леза у виріб буде спостерігатися вібрація або результат скошування буде незадовільним.

## Перевірка рівня оливи



**УВАГА:** Занадто низький рівень оливи може спричинити пошкодження двигуна. Перед запуском виробу необхідно перевіряти рівень оливи.

1. Установіть виріб на рівній поверхні.
2. Зніміть кришку бака для оливи та під'єднаний вимірювальний стрижень.
3. Усуньте оливу з вимірювального стрижня.
4. Щоб дізнатися точний рівень оливи, повністю вставте вимірювальний стрижень у бак для оливи. Не закривайте кришку бака для оливи.
5. Зніміть кришку бака для оливи та під'єднаний вимірювальний стрижень.
6. Перевірте рівень оливи на вимірювальному стрижні.
7. Якщо рівень оливи занижений, залийте моторну оливу й перевірте рівень ще раз. (Мал. 40)

**Зверніть увагу:** Для запобігання проливання скористайтеся лією.

8. Коли рівень оливи буде правильним, встановіть кришку бака для оливи.

## Заміна моторної оливи



**ПОПЕРЕДЖЕННЯ:** Відразу після зупинки двигуна моторна олива є дуже гарячою. Дайте двигуну охолонути, перш ніж зливати моторну оливу. Якщо моторна олива потрапить на шкіру, промийте цю ділянку водою з милом.

(Мал. 41)

1. Запустіть виріб і дочекайтеся, коли запаси палива в баку буде вичерпано.
2. Витягніть провід запалювання зі свічки запалювання.
3. Зніміть кришку бака для оливи та під'єднаний вимірювальний стрижень.
4. Підставте під виріб резервуар для збору моторної оливи.
5. Нахиліть виріб або злийте моторну оливу з бака для оливи й насоса оливи (аксесуар).
6. Залийте свіжу моторну оливу рекомендованого в *Технічні характеристики на сторінці 391* типу.
7. Перевірте рівень оливи. Див. *Перевірка рівня оливи на сторінці 388*.
8. Коли рівень оливи буде правильним, встановіть кришку бака для оливи.

## Очищення поролонового фільтра



**УВАГА:** Не запускайте двигун без установлених повітряних фільтрів. Якщо повітря буде брудним, двигун більше зношуватиметься.

1. Зніміть кришку повітряного фільтра (А). (Мал. 42)
2. Вийміть поролонові фільтри (В).



**УВАГА:** Перевірте поролонові фільтри на наявність пошкоджень або зносу. Замініть усі пошкоджені поролонові фільтри.

3. Промийте поролонові фільтри водою з милом.
4. Промийте поролонові фільтри чистою водою.
5. Видавіть воду з поролонових фільтрів і дайте їм просохнути.



**УВАГА:** Не використовуйте стиснене повітря. Воно може пошкодити поролоновий фільтр.

6. Змастіть поролонові фільтри моторною оливою.
7. Промокніть поролонові фільтри чистою тканиною, щоб прибрати зайву оливу.

- Установіть поролонові фільтри. Переконайтеся, що поролонові фільтри щільно прилягають до тримача повітряного фільтра.
- Установіть кришку повітряного фільтра.

## Перевірка свічки запалювання



**УВАГА:** Завжди користуйтеся рекомендованими свічками запалювання. Неправильний тип свічки запалювання може призвести до пошкодження виробу.

- Якщо двигун втрачає потужність, його важко запустити або він погано працює на холостому ходу, необхідно перевірити свічку запалювання.
- Щоб зменшити ризик потрапляння зайвих предметів на електроди свічки запалювання, дотримуйтеся таких інструкцій:
  - a) переконайтеся, що швидкість холостого ходу налаштовано правильно;
  - b) переконайтеся в правильності змішування паливної суміші;
  - c) переконайтеся, що повітряний фільтр чистий.
- Якщо свічка запалювання забруднена, її слід очистити та переконатися в тому, що між електродами встановлено правильний проміжок (див. ). *Технічні характеристики на сторінці 391.* (Мал. 43)
- За необхідності замініть свічку запалювання.

## Перевірка паливної системи

- Перевірте кришку паливного бака та її ущільнювач на предмет пошкоджень.
- Перевірте шланг подачі пального на предмет протікань. У разі пошкодження шланга подачі пального замініть його в центрі обслуговування.

## Спорожнення паливного бака

1. Поставте контейнер під паливний бак.
2. Зніміть кришку паливного бака.
3. Встановіть хомути кріплення паливного шланга на карбюраторі.
4. Вийміть паливний шланг із карбюратора.
5. Вставте шланг паливного бака в контейнер і зніміть хомути кріплення шланга.

6. Нахиліть виріб і злийте моторну оливу в контейнер.

## Заміна паливного фільтра



**ПОПЕРЕДЖЕННЯ:**  
Використовуйте захисні рукавиці.

1. Спорожніть паливний бак.
2. Зніміть хомут кріплення шланга з паливного бака. (Мал. 44)
3. Зніміть паливний шланг із паливного бака. Може вилитися невелика кількість палива. (Мал. 45)
4. Зніміть паливний фільтр із паливного бака. (Мал. 46)
5. Встановіть новий паливний фільтр у паливний бак.
6. Під'єднайте паливний шланг до паливного бака.
7. Вставте хомут кріплення шланга у паливний бак.

## Регулювання дроту зчеплення (LC 140SP)

У вказаних далі ситуаціях необхідно зменшити довжину дроту зчеплення.

- Привід коліс не вмикається, коли ви тягнете привідну скобу або важіль регулятора швидкості.
- Виріб рухається повільно, коли привід коліс увімкнено.

У вказаних далі ситуаціях необхідно збільшити довжину дроту зчеплення.

- Виріб рухається повільно, коли привід коліс не увімкнено.
- Налаштування дроту зчеплення.
  - a) Щоб зменшити довжину дроту зчеплення, поверніть регулювальний гвинт проти годинникової стрілки.
  - b) Щоб збільшити довжину дроту зчеплення, поверніть регулювальний гвинт за годинниковою стрілкою. (Мал. 47)

Якщо після налаштування виріб продовжує пересуватися незадовільно, зверніться до дилера з обслуговування

## Усунення несправностей двигуна

Несправність	Можлива причина	Вирішення
Двигун не запускається.	Дріт запалювання під'єднано неправильно.	Під'єднайте дріт запалювання до свічки запалювання.
	Паливний бак порожній.	Залейте до паливного бака (А) паливо правильного типу.
	Паливо занадто старе.	Спорожніть паливний бак і карбюратор. Заповніть їх бензином.
	Бруд у карбюраторі або паливній лінії.	Прочистьте карбюратор і / або паливопровід.
	Пошкоджена свічка запалювання.	Відрегулюйте проміжок між електродами, прочистьте чи замініть свічку запалювання.
	Паливо на свічці запалювання.	Почистьте свічку запалювання.
Двигун не зупиняється.	Механізм зупинки не працює належним чином.	Від'єднайте дріт запалювання від свічки запалювання. Віддайте виріб до авторизованого центру обслуговування для ремонту.
Двигун працює не плавно.	Дріт запалювання під'єднано неправильно.	Під'єднайте дріт запалювання до свічки запалювання.
	У паливопроводі накопичився бруд, або пальне зіпсувалося.	Прочистьте паливопровід. Заповніть паливний бак новим пальним належного типу.
	Кришка паливного бака забилася.	Прочистьте кришку паливного бака.
	У паливній системі є вода чи бруд.	Спорожніть паливний бак. Заповніть паливний бак новим пальним належного типу.
	Засмічено повітряний фільтр.	Очистьте повітряний фільтр.
	Необхідно відрегулювати карбюратор.	Передайте виріб до авторизованого центру обслуговування для регулювання карбюратора.
Двигун перегрівається.	Занижений рівень моторної оливи.	Заправте двигун оливою.
	Недостатній потік повітря.	Прочистьте повітряний фільтр і корпус повітряного фільтра.
	Необхідно відрегулювати карбюратор.	Передайте виріб до авторизованого центру обслуговування для регулювання карбюратора.
На високій швидкості у двигуна починаються перебої із запалюванням.	Проміжок між електродами у свічці запалювання замалий.	Налаштуйте проміжок між електродами.

Несправність	Можлива причина	Вирішення
Незвичині шуми двигуна під час звичайного навантаження.	Неправильний тип бензину.	Спорожніть паливний бак і карбюратор. Заповніть їх бензином. Дивіться розділ <i>Заправлення паливом на сторінці 385</i> . Якщо проблему не вдалося усунути, зверніться до місцевого дилера з обслуговування.
На холостому ходу двигун працює не плавно.	Свічка запалювання забруднена чи пошкоджена, або занадто великий проміжок між електродами.	Відрегулюйте проміжок або замініть свічку запалювання.
	Необхідно відрегулювати карбюратор.	Відрегулюйте карбюратор.
	Засмічено повітряний фільтр.	Очистьте повітряний фільтр.

## Транспортування, зберігання й утилізація

### Транспортування та зберігання

- У разі транспортування та зберігання виробу та пального необхідно переконатися у відсутності протікань та випарів. Іскри або відкритий вогонь, наприклад, від електричних пристроїв, можуть спричинити пожежу.
- Для зберігання та транспортування палива слід використовувати лише сертифіковані резервуари.
- Спорожніть паливний бак у разі, якщо виріб зберігатиметься протягом тривалого часу. Утилізуйте паливо у відповідних місцях для утилізації.
- Під час транспортування закріплюйте виріб безпечним чином, щоб уникнути пошкоджень та нещасних випадків.
- Зберігайте виріб у закритому приміщенні, куди не зможуть отримати доступ діти та особи без належної підготовки.

- Зберігайте виріб у сухому місці за температури нижче 0 градусів.

### Утилізація

- Виконуйте місцеві вимоги та відповідні норми і правила щодо утилізації.
- Утилізуйте всі хімічні речовини на кшталт моторної оливи або палива в центрі обслуговування або у відповідних місцях для утилізації.
- Якщо виріб більше не використовується, відправте його дилеру Husqvarna або утилізуйте у відповідному місці для утилізації.

## Технічні характеристики

### Технічні характеристики

	LC 140P	LC 140SP
<b>Двигун</b>		
Бренд	Husqvarna	Husqvarna
Назва моделі двигуна	HS 123A	HS 123A
Тип двигуна	Одноциліндровий, 4-тактний, примусове повітряне охолодження, клапан розташований зверху	Одноциліндровий, 4-тактний, примусове повітряне охолодження, клапан розташований зверху
Об'єм, см <sup>3</sup>	123	123

	LC 140P	LC 140SP
Частота обертання, об./хв	3000	3000
Номінальна потужність двигуна, кВт <sup>192</sup>	1,95	1,95
<b>Система запалювання</b>		
Свічка запалювання	Husqvarna HQT-7	Husqvarna HQT-7
Проміжок між електродами, мм	0,7–0,8	0,7–0,8
<b>Паливна система й система змащування</b>		
Тип змащування двигуна	Бризкання	Бризкання
Об'єм паливного бака, л	0,9	0,9
Об'єм бака для оливи, л	0,5	0,5
Моторна олива <sup>193</sup>	Husqvarna SAE 30, Husqvarna SAE 5W-30 синтетична, Husqvarna SAE 10W-40	Husqvarna SAE 30, Husqvarna SAE 5W-30 синтетична, Husqvarna SAE 10W-40
<b>Маса</b>		
Маса з порожніми баками, кг	25,2	26,8
<b>Випромінювання шуму</b> <sup>194</sup>		
Вимірний рівень звукової потужності, дБ(A)	93	93
Гарантований рівень звукової потужності, L <sub>WA</sub> , дБ(A)	94	94
<b>Рівні звуку</b> <sup>195</sup>		
Рівень звукового тиску у вусі оператора, дБ(A)	82	82
<b>Рівні вібрації</b> <sup>196</sup>		
Рівень вібрації в рукоятці, м/с <sup>2</sup>	5,6	7,6
<b>Різьблене обладнання</b>		
Висота зрізання, мм	25–75	25–75
Ширина зрізання, мм	400	400

<sup>192</sup> Указана номінальна потужність двигуна є середньою кінцевою потужністю (за вказаного числа обертів на хвилину) типового серійного двигуна для цієї моделі, вимірююю згідно зі стандартом SAE J1349/ISO1585. Потужність серійних двигунів може відрізнятися від цього значення. Фактична вихідна потужність двигуна, установленого у виробі, залежить від робочої швидкості, умов навколишнього середовища та інших факторів.

<sup>193</sup> Використовуйте моторну оливу класу API SJ або вище. У разі використання оливи SAE-30 за температури нижче +5 °C існує ризик недостатнього змащування двигуна. Це може призвести до пошкодження двигуна. Див. *Заміна моторної оливи на сторінці 388* для отримання відомостей щодо оливи, яку слід використовувати за низьких температур. Ознайомтеся з таблицею в'язкості в посібнику користувача двигуна (якщо він входить до комплекту) та виберіть оптимальну в'язкість залежно від очікуваної зовнішньої температури.

<sup>194</sup> Випромінювання шуму в середовище, виміряне як звукова потужність (L<sub>WA</sub>), відповідає директиві ЄС 2000/14/ЄС.

<sup>195</sup> Заявлені дані про рівень звукового тиску мають стандартну статистичну розбіжність (стандартне відхилення) у 1,2 дБ(A).

<sup>196</sup> Заявлені дані щодо рівня вібрації мають стандартну статистичну розбіжність (стандартне відхилення) у 0,2 м/с<sup>2</sup>.



	<b>LC 140P</b>	<b>LC 140SP</b>
Система скошування	Збирання / викидання ззаду	Збирання / викидання ззаду
Стандартні леза	Система збирання 5873863-10	Система збирання 5873863-10
Ємність травозбірника, літрів	50	50
<b>Привод</b>		
Швидкість самохідного руху, км/ч	–	4

# Декларація відповідності

## Декларація відповідності ЄС

Ми, компанія **Husqvarna AB**, SE-561 82 Huskvarna, Швеція, тел.: +46-36-146500, заявляємо під свою виключну відповідальність, що представлений виріб:

<b>Опис</b>	Газонокосарка
<b>Бренд</b>	Husqvarna
<b>Тип / модель</b>	LC 140P, LC 140SP
<b>Ідентифікація</b>	Серійні номери за 2022 рік і пізніше

повністю відповідає таким директивам і нормам ЄС:

<b>Норма</b>	<b>Опис</b>
2006/42/EC	«Про механічне обладнання»
2014/30/EU	«Про електромагнітну сумісність»
2000/14/EC	«Про виділення шуму в навколишнє середовище»
2011/65/EU	«Про обмеження використання деяких небезпечних речовин в електричному й електронному обладнанні»

і що до нього застосовуються вказані далі узгоджені стандарти та/або технічні специфікації: EN ISO 5395-1:2013/A1:2018, EN ISO 5395-2:2013/A1:2016/A2:2017, EN ISO 14982:2009, EN IEC 63000:2018

Уповноважений орган: Компанія 0404, RISE SMP Svensk Maskinprovning AB, Box 4053, SE-904 03 Umeå, Sweden підтвердила відповідність директиві ради ЄС 2000/14/EC, процедура оцінки відповідності: Додаток VI.

Відомості стосовно випромінювання шуму дивіться в розділі *Технічні характеристики на сторінці 391*.

Husqvarna, 2022-09-27



Клас Лосдал (Claes Losdal), директор із питань розвитку / продукції для садівництва, Husqvarna AB

Відповідальний за технічну документацію



---

# 内容

---

引言.....	395	引擎故障检修.....	402
安全性.....	396	运输、存放和废弃处理.....	403
安装.....	398	技术参数.....	403
操作.....	398	一致性声明.....	405
维护.....	399		

---

## 引言

---

### 产品说明

本产品是一款步行控制式草坪机。草料收集在集草袋中。拆下集草袋，以便从后方卸草。

### 产品概览

- (图 1)
1. 手柄/手柄杆
  2. 驱动杆 (LC 140SP)
  3. 启动绳把手
  4. 集草袋
  5. 燃油箱
  6. 空气滤清器
  7. 火花塞
  8. 切割防护盖
  9. 消音器
  10. 机油箱盖
  11. 修剪高度杆
  12. 后盖
  13. 引擎制动手柄
  14. 符号
  15. 下手柄组件
  16. 下手柄
  17. 说明书
  18. 油漏斗

### 本产品上的符号

- (图 2) **警告！** 请多加小心，并正确地使用本产品。本产品可能会对操作员或其他人造成严重伤害或死亡。
- (图 3) 请仔细阅读操作手册，确保在充分理解各项说明之后再使用本产品。
- (图 4) 注意抛掷物和反弹物。
- (图 5) 确保人员和动物与工作区域保持安全距离。
- (图 6) **警告：** 保持手脚远离正在旋转的刀片。
- (图 7) **警告：** 保持手脚远离回转部件。

### 预期用途

使用产品修剪草坪。切勿将产品用于其他任务。

- (图 8) 执行维修或维护作业之前，务必将引擎熄火并拆下点火线。
- (图 9) 本产品符合适用的 EC 指令的要求。
- (图 10) 对环境的噪音排放的标签符合欧盟指令、英国指令和新南威尔士州法规“2017 年环境行动（噪音控制）保护法规”的要求。本产品的保证声功率级在 *技术数据* 在第 403 页上中和标签上均有注明。
- (图 11) 本产品符合适用的英国法规。
- (图 12) 存在火灾危险。
- (图 13) 切勿吸入废气。引擎排出的废气中含有一氧化碳，这是一种极危险的无味有毒气体。切勿在室内或密闭空间中启动引擎。
- (图 14) 高温表面。
- (图 15) 在启动产品之前，给引擎加注机油。

---

**注意：** 产品上的其他符号/标识对应于某些商用领域的认证要求。

---

### 欧五排放



**警告：** 对发动机进行篡改将使本产品的 EU 型式检验失效。

---

### 产品损坏

对于因下列情况造成的产品损坏，我们概不负责：

- 未正确修理产品。

- 使用非原装零部件或者未获原厂批准的零部件修理产品。
- 产品加装了非原装的或者未获原厂批准的附件。

- 未在授权的保养厂修理产品，或者未由授权的机构修理产品。

## 安全性

### 安全定义

本手册使用了“警告”、“小心”和“注意”来指出特别重要的内容。



**警告：** 当不遵守手册中的说明可能会给操作员或周围人员带来伤害或死亡风险时，会使用此标志。



**小心：** 当不遵守手册中的说明可能会对产品、其他材料或附近区域造成损坏时，会使用此标志。

**注意：** 用于提供特定状况下所需的更多信息。

### 一般安全须知



**警告：** 请在使用本产品前阅读下面的警告说明。

- 如果使用不当，或者如果您不小心，则本产品非常危险。如果未遵守一般安全须知，可能会导致伤害或死亡。
- 本产品在生产期间会产生电磁场。电磁场在某些情况下会干扰有源或无源医疗植入体。为了减少严重或致命性伤害风险，我们建议使用医疗植入体的人员在操作本产品之前先咨询其医生及医疗植入体制造商。
- 请务必多加小心，并运用常识来判断。如果您不确定在特殊情况下如何操作本产品，请停止操作并与您的Husqvarna经销商联系。
- 切记，操作员将对涉及他人或其财产的事故负责。
- 请保持产品清洁。确保您可以清楚地阅读标记和标签。
- 务必确保操作员已阅读并理解说明书的内容，否则不得使用本产品。
- 切勿让儿童操作本产品。
- 请让儿童远离工作区域。成人监督人必须始终在场。
- 切勿让不熟悉使用说明的人员操作产品。
- 若使用产品的人员身体能力或心智能力降低，务必对其进行监督。成人监督人必须始终在场。
- 当您感到疲倦、生病或受到酒精、麻药或药物的影响时，请勿使用本产品。这些因素会对您的视觉、警惕性、协调能力或判断力产生不良影响。
- 请勿使用已损坏或无法正常工作的产品。
- 如果本产品可能被他人改动过，请勿再进行改动或使用。
- 请勿更改引擎速度控制的设置。

### 工作区安全



**警告：** 请在使用本产品前阅读下面的警告说明。

- 在使用本产品之前，请清除作业区域中的树枝、枝杈和石头等物体。
- 这些物体碰撞到切割设备会被弹出，导致人员受伤和物体损坏。确保附近人员和动物与本产品保持安全距离。
- 切勿在雾天、雨天、强风、严寒和闪电等恶劣天气下使用本产品。在恶劣天气下或潮湿地点使用本产品容易令人感到疲倦。恶劣天气会导致危险的情况，如湿滑的路面。
- 留意可能妨碍本产品安全运行的人员、物体和情况。
- 留意如树根、石头、枝杈、坑和沟渠等障碍。茂盛的草会隐藏障碍物。
- 在斜坡上割草可能非常危险。不要在坡度超过 15° 的地面上使用本产品。
- 面对斜坡操作本产品。切勿上下移动。
- 在接近隐藏的和物体时请小心谨慎，以免阻碍视线。

### 作业安全



**警告：** 请在使用本产品前阅读下面的警告说明。

- 本产品仅用于切割草坪。不允许用于其他任务。
- 使用个人防护装备。请参阅 *个人防护装备* 在第 397 页上。
- 确保您知道在紧急情况下如何快速让引擎停止工作。
- 切勿在封闭空间或易燃物品附近启动引擎。引擎排出的废气浓烟温度很高，并可能带有火花，能引发火灾。
- 除非已正确连接刀片和所有盖板，否则请勿操作本产品。未正确连接的刀片可能松动，导致人身伤害。
- 确保刀片不会碰到石头和树根等物体。这会损坏刀片，并折弯引擎轴。一旦引擎轴折弯，就会导致严重振动，同时刀片松动风险会变得极高。
- 如果刀片碰撞到任何异物或者发生振动，请立即关闭本产品。将点火线从火花塞上断开。检查本产品是否损坏。维修损坏的地方或让授权的保养厂执行维修。
- 启动引擎时，切勿将引擎制动手柄永久连接至手柄。
- 将本产品放置在稳定、平坦的地面上，然后将其启动。确保刀片不会碰撞到地面或其他物体。
- 当您操作本产品时，请始终站在本产品的后面。
- 在操作本产品时使所有车轮接触地面，并将双手放在手柄上。手和脚远离正在旋转的刀片。
- 引擎启动后，切勿倾斜本产品。

- 向后拉动本产品时请小心谨慎。
- 切勿在引擎运行时吊装本产品。如果必须吊装本产品，务必先将引擎熄火，并将点火线从火花塞上断开。
- 在操作本产品时切勿倒退行走。
- 当您在没有草的区域移动时，例如在石砾、石头和沥青道路上移动时，应将引擎熄火。
- 切勿在引擎运行时和本产品一起跑着移动。操作本产品时始终保持步行。
- 在更改修剪高度之前，请先将引擎熄火。切勿在引擎运行时进行调整。
- 切勿在引擎运行时将本产品置于视线以外的地方。将引擎熄火，确保切割设备不转动。

## 操作安全须知

### 个人防护装备



**警告：** 请在使用本产品前阅读下面的警告说明。

- 个人防护装备不能完全避免受伤，但当意外发生时，可降低伤害程度。请经销商协助您选择正确的防护装备。
- 如果噪声级高于 85 dB，请使用听觉保护设备。
- 穿上结实耐磨防滑靴或防滑鞋。请勿穿凉鞋或赤脚。
- 请穿上厚实的长裤。
- 必要时戴上保护手套，例如在安装、检查或清洁切割设备时。

### 产品上的安全装置



**警告：** 请在使用本产品前阅读下面的警告说明。

- 请勿使用安全装置受损或无法正常工作的产品。
- 定期检查安全装置。如果安全装置受损或无法正常工作，请联系您的 Husqvarna 保养经销商。
- 切勿改装安全装置。

### 检查切割防护盖

切割防护盖可降低本产品产生的振动，并降低被刀片割伤的风险。

- 检查切割防护盖，确保没有损坏，如裂缝。

### 检查引擎制动手柄

引擎制动手柄可让引擎停止运行。当引擎制动手柄松开时，引擎会停止运行。

- 启动引擎，然后松开引擎制动手柄。如果引擎未能在 3 秒内停止运行，应许可的 Husqvarna 保养厂调整引擎制动。(图 16)

### 消音器

消音器用于最大程度降低噪音，并将引擎的排烟导离操作人员。

如果消音器缺失或损坏，请勿使用本产品。损坏的消音器会增加噪音水平以及火灾风险。



**警告：** 消音器在使用期间和之后以及当引擎以怠速运转时会变得很烫。务必当心附近的易燃材料和/或烟雾，以防引起火灾。

## 燃油安全须知



**警告：** 请在使用本产品前阅读下面的警告说明。

- 如果产品上沾染燃油或引擎油，切勿启动产品。清除多余的燃油/机油，使产品保持干燥。
- 如果燃油溅到衣物上，请立即更换衣物。
- 切勿使身体沾染燃油，否则可能会造成伤害。如果燃油溅到身上，必须使用肥皂和水洗净。
- 如果引擎漏油，切勿启动产品。定期检查引擎是否漏油。
- 请小心处理燃油。燃油易燃，油烟具有爆炸性，并且可能导致伤害或死亡。
- 切勿吸入油烟，否则可能会造成伤害。确保充分通风。
- 切勿在燃油或引擎附近吸烟。
- 切勿在燃油或引擎附近放置高温物体。
- 切勿在引擎运转期间添加燃油。
- 重新加注燃油之前，确保引擎处于冷却状态。
- 重新加注燃油之前，缓缓打开燃油箱盖，并小心地释放压力。
- 切勿在室内为引擎添加燃油。如果通风不畅，则可能会因窒息或一氧化碳而造成受伤或死亡。
- 完全拧紧燃油箱盖。如果燃油箱盖没有拧紧，则有失火的风险。
- 启动之前，将本产品从加油位置移开至少 3 m / 10 ft。
- 请勿将燃油箱完全加满油。热量会使燃油膨胀。让燃油箱顶部留有一定的空间。
- 切勿将燃油箱中有燃油的产品存放在有火源（例如热水加热器、空间加热器或干衣机）的建筑物内。将引擎存放在任意壳体中之前，务必待其冷却。

## 维护安全须知



**警告：** 请在使用本产品前阅读下面的警告说明。

- 引擎排出的废气中含有一氧化碳，这是一种极危险的无味有毒气体。切勿在室内或密闭空间中启动引擎。
- 在对本产品进行任何维护之前，务必先将引擎熄火，并将点火线从火花塞拆下。
- 维护切割设备时，请戴上保护手套。刀片非常锋利，很容易造成割伤。
- 未经制造商批准加装附件或改动产品可能导致严重的伤害或死亡。切勿改动本产品。始终使用获得制造商批准的零件。

- 如未正确和定期地进行维护，导致伤害的风险和损坏产品的风险将会增加。
- 只能进行此用户手册所述的维护工作。所有其他保养操作必须由许可的 Husqvarna 保养厂完成。

- 由许可的 Husqvarna 保养厂定期对本产品进行保养。
- 更换已经损坏、磨损或破损的零件。

## 安装

### 安装手柄

1. 将螺丝 (A) 穿过手柄 (B)、塑料垫片 (C) 和手柄支架 (D)。(图 17)
2. 完全拧紧螺母 (E)。
3. 将螺丝 (F) 穿过垫片 (G) 和手柄支架。
4. 完全拧紧旋钮 (H)。
5. 将手柄杆中的孔与下手柄中的孔对齐，然后安装螺丝、垫片和旋钮。完全上紧旋钮。(图 18)
6. 通过电缆夹将电缆固定到手柄上。(图 19)

**注意：** 确保电缆中的张力不会过高。如果手柄折叠到运输位置，则张力过高可能会导致电缆损坏。

7. 将电缆绕在手柄底部的挂钩上。(图 20)

### 调节手柄高度

1. 松开下部旋钮。(图 21)
2. 拆下左右两侧的旋钮、垫片和螺丝。
3. 手柄可以设定至 2 个不同的高度。将螺丝放入左右两侧的 2 个孔中的其中一个。(图 22)
4. 安装螺丝、垫片和旋钮。
5. 朝手柄方向向上转动旋钮，直至它们停止并且听到咔嚓声。完全上紧旋钮。(图 23)

### 将产品设置在运输位置

1. 拆下集草袋。
2. 松开上手柄上的旋钮，向下折叠手柄。(图 24)
3. 松开下部旋钮。
4. 将旋钮转至本产品的左侧和右侧凹槽的下端。(图 25)
5. 向前折叠手柄。(图 26)

### 将产品设置在工作位置

1. 提起手柄杆，直至下手柄锁定到工作位置。(图 27)
2. 朝手柄方向向上转动旋钮，直至它们停止并且听到咔嚓声。
3. 完全上紧旋钮。(图 28)
4. 提起手柄杆的顶部。
5. 完全上紧旋钮。(图 29)

### 安装集草袋

1. 将集草袋倒置，使顶部朝下放置。(图 30)
2. 用夹子固定集草袋框架。(图 31)
3. 抬起后盖。
4. 将集草袋上的挂钩连接到机架顶部边缘上。(图 32)
5. 将集草袋的下部放入卸草通道中。

## 操作

### 引言



**警告：** 在使用本产品之前，您必须阅读并理解安全章节。

### Husqvarna Connect

Husqvarna Connect 是一款可在移动设备上免费使用的应用程序。Husqvarna Connect 应用程序可为您的 Husqvarna 产品提供扩展功能：

- 扩展产品信息。
- 关于帮助、产品零件和保养的信息。

### 开始使用 Husqvarna Connect

1. 将 Husqvarna Connect 应用程序下载至您的移动设备。
2. 在 Husqvarna Connect 应用程序中注册。
3. 执行 Husqvarna Connect 应用程序中的说明步骤以连接并注册产品。

### 操作产品之前

1. 请认真阅读本说明书，确保您充分理解各项说明。
2. 检查切割设备，确保其连接正确且调整得当。请参阅 *润滑切割设备* 在第 400 页上。
3. 加注燃油箱。请参阅 *添加燃油* 在第 398 页上。
4. 加注机油箱并检查机油油位。请参阅 *检查机油油位* 在第 401 页上。

### 添加燃油

如果可行，使用含有低排放等级/烷基化燃油的汽油。如果无法获得含有低排放等级/烷基化燃油的汽油，可使用优质无铅汽油或辛烷值不低于 91 的含铅汽油。



**小心：** 切勿使用辛烷值低于 91 RON 的汽油。否则可能导致本产品损坏。



**小心：** 每年或必要时更常更换燃油滤清器。您的 Husqvarna 经销商处提供有新的燃油滤清器。



**小心：** 在加油之前，务必先关闭引擎。



**小心：** 切勿使用加压启动油液。

1. 缓慢打开燃油箱盖以释放压力。
2. 用燃油罐缓慢加油。如果有燃油溅出，请用布擦拭，然后让剩余的燃油挥发掉。(图 33)
3. 清洁燃油箱盖的周围区域。
4. 完全拧紧燃油箱盖。如果燃油箱盖没有拧紧，则有失火的风险。
5. 启动之前，将本产品从加油位置移开至少 3 m / 10 ft。

## 设置修剪高度

1. 向后移动修剪高度调节杆，增加修剪高度。
2. 向前移动修剪高度调节杆，降低修剪高度。(图 34)



**小心：** 切勿将修剪高度设置得太低。如果草坪表面不平，刀片可能会碰到地面。

## 启动产品

1. 确保将点火线连接至火花塞中。

2. 站在本产品后面。
3. 握住引擎制动手柄，使其紧靠手柄杆。(图 35)
4. 用右手握住启动绳把手。
5. 慢慢拉出启动绳，直到感觉到有阻力。
6. 用力拉启动绳，以启动引擎。



**警告：** 切勿将启动器绳绕在手上。

## 使用车轮上的驱动装置

- 朝手柄杆方向推动驱动杆。(图 36)
- 松开驱动杆以脱离驱动装置，例如，当您靠近障碍物时。
- 在向后拉动产品之前，松开驱动装置，然后将产品向前推动约 10 cm。

## 关闭产品

- 要仅停止驱动装置，请松开驱动杆。
- 要将引擎熄火，请松开引擎制动手柄。

## 为获得良好的作业效果

- 务必使用锐利的刀片。钝刀片会产生不规则的结果，且草的切割表面会变黄。此外，锐利的刀片比钝刀片更加节能。
- 修剪高度不得超过草长的  $\frac{1}{3}$ 。从较高的修剪高度开始切割。检查结果，将修剪高度降低到合适的水平。如果草非常长，请缓慢前进，必要时切割 2 次。
- 每次的修剪方向不应相同，以防止草坪上出现条纹。
- 保持切割防护盖干净。切割防护盖内侧积聚草和污垢会降低切割效果。请参阅 *清洁切割防护盖的内表面* 在第 400 页上。

# 维护

## 简介



**警告：** 进行维护之前，您必须先阅读并理解安全须知章节。

要对本产品执行任何保养和维修工作，都需要经过专门培训。我们承诺提供专业的维修和保养。如果您的经销商不是保养代理商，请联系该经销商以获取离您最近的保养代理商的信息。

有关更多详细信息，请参阅。

## 维护时间表



**小心：** 倾斜产品时，确保空气滤清器朝上，不要靠在地面上。存在损坏引擎的风险。

维护间隔在产品每天使用的情况下计算得出。如果产品并非每天使用，维护间隔会有所不同。

对于带有 \* 标记的维护作业，请参阅 *产品上的安全装置* 在第 397 页上中的说明。

维护	每天	每月	每个季节
执行一般性检查	X		
检查机油油位	X		

维护	每天	每月	每个季节
更换机油（首次使用 5 小时后更换，之后每使用 50 小时更换一次） <sup>197</sup>			X
清洁本产品	X		
检查切割设备	X		
检查切割防护盖*	X		
检查引擎制动手柄*	X		
检查消音器*		X	
检查火花塞。必要时请清洁或更换火花塞			X
检查空气滤清器	X		
清洁空气滤清器 <sup>198</sup>		X	
更换空气滤清器			X
检查燃油系统			X
清洁汽缸上的散热片		X	
检查并调整离合器拉线（LC 140SP）			X

## 进行一般性检查

- 确保产品上的所有螺母和螺丝都已正确上紧。

## 清洁本产品的外部

- 用刷子清除树叶、草和污垢。
- 确保引擎顶部的进气口畅通无阻
- 不要使用高压清洗机清洁产品。
- 如果用水清洁本产品，切勿用水直接冲洗引擎。

## 清洁切割防护盖的内表面

1. 排空燃油箱。
2. 倾斜产品。确保火花塞朝上。



**小心：** 如果以空气滤清器朝下的方式放置本产品，可能导致引擎损坏。

3. 用水冲洗切割防护盖的内表面。

## 润滑切割设备



**警告：** 为防止意外启动，请将点火线从火花塞上拆下。



**警告：** 维护切割设备时，请戴上保护手套。刀片非常锋利，很容易造成割伤。

1. 检查切割设备是否有损坏或裂痕。务必更换损坏的切割设备。
2. 检查刀片，查看是否损坏或变钝。

**注意：** 每次磨利刀片后，必须对刀片进行平衡调整。让维修中心磨利、更换和平衡刀片。如果您撞到障碍物并导致本产品停止运行，请更换损坏的刀片。让维修中心评估刀片能否磨利还是必须更换。

## 更换刀片

1. 使用木块卡住刀片。(图 37)
2. 拆下刀片螺栓和弹簧垫片。
3. 拆下刀片。
4. 检查刀片支撑和刀片螺栓，查看是否有损坏。
5. 检查引擎轴，以确保其未弯曲。
6. 安装新刀片时，请将刀片的倾斜端指向切割防护盖的方向。(图 38)
7. 确保刀片与引擎轴中心对准。
8. 使用木块卡住刀片。连接弹簧垫片，并用 45–60 Nm 扭矩拧紧螺丝和垫片。(图 39)
9. 用手拉住刀片旋转，确保刀片转动自如。



**警告：** 请佩戴耐磨手套。刀片非常锋利，很容易割伤手。

10. 启动本产品以测试刀片。如果刀片的安装不正确，则本产品会产生异常振动，或者会导致割草效果不佳。

<sup>197</sup> 如果本产品在重载或高环境温度下操作，请每 25 小时更换一次发动机油。

<sup>198</sup> 在多尘环境或存在气载散落物的条件下使用时，请更频繁地进行清洁。如果空气滤清器非常脏，请予以更换。



## 检查机油油位



**小心：**如果油位过低，可能导致引擎损坏。启动本产品之前，请先检查油位。

1. 将本产品置于平坦地面上。
2. 将机油箱盖与连接的油尺一起拆下。
3. 清洁油尺上的机油。
4. 将油尺完全推入机油箱，以便获得正确的油位显示。切勿安装机油箱盖。
5. 将机油箱盖与连接的油尺一起拆下。
6. 检查油尺上的油位。
7. 如果油位过低，加注引擎油后再次检查油位。(图 40)

**注意：**请使用漏斗，以防止漏油。

8. 当油位正确时，安装机油箱盖。

## 更换引擎油



**警告：**引擎刚停止运行时，引擎油的温度会非常高。待引擎冷却后再排空引擎油。如果引擎油溅在皮肤上，请用肥皂和水清洗。

(图 41)

1. 操作产品，直至燃油箱无油。
2. 从火花塞上拆下点火线。
3. 将机油箱盖与连接的油尺一起拆下。
4. 在产品下方放一个容器，以收集引擎油。
5. 倾斜产品或使用机油泵（附件）从机油箱排放引擎油。
6. 加注技术参数在第 403 页上中推荐的相应类型的新引擎油。
7. 检查油位。请参阅 检查机油油位 在第 401 页上。
8. 当油位正确时，安装机油箱盖。

## 清洁海绵塑料滤网



**小心：**拆下空气滤清器后，请勿启动引擎。如果空气脏污，引擎磨损会增加。

1. 拆下空气滤清器外壳 (A)。(图 42)
2. 拆下海绵塑料滤网 (B)。



**小心：**检查泡沫塑料滤网是否损坏或磨损。更换所有损坏的泡沫塑料滤网。

3. 用肥皂和水清洁海绵塑料滤网。
4. 用清水冲洗海绵塑料滤网。
5. 拧干海绵塑料滤网，然后将其晾干。



**小心：**请勿使用压缩空气。这会导致海绵塑料滤网损坏。

6. 用引擎油润滑海绵塑料滤网。
7. 将干净的布按在海绵塑料滤网上，以吸附掉多余的油。
8. 安装泡沫塑料滤网。确保泡沫塑料滤网完全密封在空气滤清器支架上。
9. 安装空气滤清器外壳。

## 检查火花塞



**小心：**务必使用建议的火花塞类型。火花塞类型不正确可能导致产品损坏。

- 如果引擎动力不足、不容易启动或者怠速运行不正常，请检查火花塞。
- 为降低在火花塞电极上出现多余物质的风险，请遵循以下说明：
  - a) 确保已正确调节怠速。
  - b) 确保混合燃油正确。
  - c) 确保空气滤清器清洁。
- 如果火花塞脏污，请进行清洁并确保电极间隙正确，请参阅 技术数据 在第 403 页上。(图 43)
- 必要时请更换火花塞。

## 检查燃油系统

- 检查燃油箱盖和燃油箱盖的密封，确保没有损坏。
- 检查油管，确保不漏油。如果油管损坏，请让保养厂进行更换。

## 排空燃油箱

1. 将容器放在燃油箱下方。
2. 拧下燃油箱盖。
3. 将燃油管上的管箍推到化油器上。
4. 从化油器上拆下燃油管。
5. 将燃油箱软管放入容器中，然后拆下管箍。
6. 倾斜产品，使燃油排入容器中。

## 更换燃油滤清器



**警告：**使用防护手套。

1. 排空燃油箱。
2. 将管箍移离燃油箱。(图 44)
3. 将油管从燃油箱上拆下。可能会漏出少量燃油。(图 45)
4. 将燃油滤清器从燃油箱上拆下。(图 46)
5. 在燃油箱中安装新的燃油滤清器。
6. 将油管连接至燃油箱。

7. 将管箍安装到紧靠燃油箱的位置。

• 车轮驱动装置未接合时产品移动。

## 调节离合器拉线 (LC 140SP)

对于以下情况，需要缩短离合器拉线的长度：

- 拉动驱动杆或速度控制杆时车轮的驱动装置无法接合。
- 车轮驱动装置接合时产品移动缓慢。

对于以下情况，需要增加离合器拉线的长度：

• 调节离合器拉线。

- a) 要缩短离合器拉线的长度，请逆时针转动调节螺丝。
- b) 要增加离合器拉线的长度，请顺时针转动调节螺丝。(图 47)

如果在调整后产品仍无法令人满意地行驶，请咨询保养代理商

## 引擎故障检修

问题	可能原因	解决方案
引擎不启动。	点火线未正确连接。	将点火线连接到火花塞。
	燃油箱无油。	向燃油箱中注入正确类型的燃油。
	燃油陈旧。	排空燃油箱和化油器。加入新的汽油。
	化油器或燃油管路中有污垢。	清洁化油器和/或燃油管路。
	火花塞已损坏。	调整电极间隙，清洁或更换火花塞。
	火花塞上有燃油。	清洁火花塞。
引擎不熄火。	熄火机构工作不正常。	将点火线从火花塞上断开。让授权保养厂维修本产品。
引擎运行不平稳。	点火线未正确连接。	将点火线连接到火花塞。
	燃油管中有污垢或燃油已过期。	清洁燃油管路。向燃油箱中加注正确类型的新燃油。
	燃油箱盖内堵塞。	清洁燃油箱盖。
	燃油系统内有水或污垢。	排空燃油箱。向燃油箱中加注正确类型的新燃油。
	空气滤清器不干净。	清洁空气滤清器。
	必须调整化油器。	请保养经销商调整化油器。
引擎过热。	引擎油的油位过低。	注入引擎油。
	气流不足。	清洁空气滤清器及其外壳。
	必须调整化油器。	请保养经销商调整化油器。
当引擎高速运转时，引擎失火。	火花塞中的电极间隙过小。	调整电极间隙。
正常负载期间引擎发出异常噪音。	汽油类型不正确。	排空燃油箱和化油器。加入新的汽油。请参阅 <a href="#">添加燃油</a> 在第 398 页上。如果问题仍然存在，请联系您当地的保养经销商。
引擎在怠速下工作不平稳。	火花塞不干净、已损坏或电极间隙过宽。	调整电极间隙或更换火花塞。
	必须调整化油器。	调整化油器。
	空气滤清器不干净。	清洁空气滤清器。

## 运输、存放和废弃处理

### 运输及存放

- 存放和运输产品和燃油时，确保不存在泄漏或烟雾。火花或明火（例如来自电气设备或锅炉等）可能引发火灾。
- 务必使用获得批准的容器存放和运输燃油。
- 将产品长期存放前，先清空燃油箱。在适当的处置地点处理燃油
- 在运输过程中安全地固定产品，以防止损坏和发生事故。
- 将产品放在上锁的区域，以防止儿童或他人擅自触碰。

- 将本产品存放在干燥、防冻的区域。

### 废弃处理

- 遵守当地的回收要求和适用的法规。
- 在服务中心或适当的处置地点处理所有化学品，如机油或燃油。
- 当产品不再可用时，将其发送给 Husqvarna 经销商或送至回收点处理。

## 技术参数

### 技术数据

	LC 140P	LC 140SP
<b>引擎</b>		
品牌	Husqvarna	Husqvarna
引擎型号名称	HS 123A	HS 123A
引擎类型	单缸，4 冲程，强制风冷，顶置气门 (OHV)	单缸，4 冲程，强制风冷，顶置气门 (OHV)
排量，cm <sup>3</sup>	123	123
转速，rpm	3000	3000
标称引擎输出，kW <sup>199</sup>	1.95	1.95
<b>点火系统</b>		
火花塞	Husqvarna HQT-7	Husqvarna HQT-7
电极间隙，mm	0.7-0.8	0.7-0.8
<b>燃油和润滑系统</b>		
引擎润滑类型	飞溅	飞溅
燃油箱容量，升	0.9	0.9
机油箱容量，升	0.5	0.5

<sup>199</sup> 所标注的引擎功率额定值是指引擎型号对应的典型生产引擎在指定转速下的平均净输出功率，是根据 SAE 标准 J1349/ISO1585 测得。批量生产引擎的该数值可能有所不同。最终产品中所安装引擎的实际功率输出取决于运行速度、环境条件及其他值。

	LC 140P	LC 140SP
引擎油 <sup>200</sup>	Husqvarna SAE 30、 HusqvarnaSAE 5W-30 Synthetic、HusqvarnaSAE 10W-40	Husqvarna SAE 30、 HusqvarnaSAE 5W-30 Synthetic、HusqvarnaSAE 10W-40
<b>重量</b>		
(油箱均排空时), kg	25.2	26.8
<b>噪音排放<sup>201</sup></b>		
声功率级, 测量值, dB(A)	93	93
声功率级, 保证值, L <sub>WA</sub> dB(A)	94	94
<b>声压级<sup>202</sup></b>		
操作员耳旁的声压级, dB(A)	82	82
<b>振级<sup>203</sup></b>		
手柄杆振动, m/s <sup>2</sup>	5.6	7.6
<b>切割设备</b>		
割草高度, mm	25–75	25–75
割草宽度, mm	400	400
割草系统	Collection / 后部排草	Collection / 后部排草
刀片 - 标准	Collection 5873863-10	Collection 5873863-10
集草袋容量, 升	50	50
<b>驱动</b>		
自行移动速度, km/h	–	4

<sup>200</sup> 使用质量为 API SJ 或更高质量的引擎油。如果在低于 +5 °C 的温度下使用 SAE-30 机油, 存在无法充分润滑引擎的风险。这会损坏引擎。请参阅 *更换引擎油* 在 *第 401 页上* 以了解适合在低温下使用的正确机油。请参阅引擎手册 (如随附) 中的粘度图, 并根据预期的室外温度选择最合适的粘度。

<sup>201</sup> 环境噪音排放以声功率 (L<sub>WA</sub>) 测量, 符合 EC 指令 2000/14/EC 的要求。

<sup>202</sup> 噪音声压级的报告数据中具有 1.2 dB(A) 的典型统计离差 (标准偏差)。

<sup>203</sup> 振级的报告数据中具有 0.2 m/s<sup>2</sup> 的典型统计离差 (标准偏差)。

# 一致性声明

## 欧盟一致性声明

我们 Husqvarna AB (地址: SE-561 82 Huskvarna, Sweden, 电话: +46-36-146500) 谨此声明, 本产品:

描述	割草机
品牌	Husqvarna
类型/型号	LC 140P, LC 140SP
标识	2022 及以后的序列号

完全符合以下欧盟指令和法规的要求:

法规	描述
2006/42/EC	"关于机械"
2014/30/EU	"关于电磁兼容性"
2000/14/EC	"关于环境噪音排放"
2011/65/EU	"关于在电气和电子设备中限制使用某些有害物质"

并适用以下标准和/或技术规格: EN ISO 5395-1:2013/A1:2018, EN ISO 5395-2:2013/A1:2016/A2:2017, EN ISO 14982:2009, EN IEC 63000:2018

认证机构: 0404, RISE SMP Svensk Maskinprovning AB, Box 4053, SE-904 03 Umeå, Sweden 已对上述产品进行了认证, 遵循的认证流程为欧洲理事会指令 2000/14/EC 的合规评估流程: 附录 VI。

有关噪音排放的信息, 请参阅 *技术参数* 在第 403 页上。

Huskvarna, 2022-09-27



Claes Losdal, Husqvarna AB 园艺产品开发经理

技术文档负责人







# Husqvarna<sup>®</sup>

[www.husqvarna.com](http://www.husqvarna.com)

Original instructions  
Оригинални инструкции  
Původní pokyny  
Originale instruktioner  
Originalanweisungen  
Αρχικές οδηγίες  
Instrucciones originales  
Originaaljuhend  
Alkuperäiset ohjeet  
Instructions d'origine

Originalne upute  
Eredeti útmutatás  
Istruzioni originali  
取扱説明書原本  
Originalios instrukcijos

Lietošanas pamācība  
Originele instructies  
Originale instruksjoner  
Oryginalne instrukcje  
Instruções originais  
Instrucțiuni inițiale  
Оригинальные инструкции  
Pôvodné pokyny  
Izvirna navodila  
Originalna uputstva  
Bruksanvisning i original  
Orjinal talimatlar  
Оригинальні інструкції  
原始说明



1142951-38



2024-11-14